

Gasboy Consumer Products

R E P A I R P A R T S



(800) 321-8173 • fax: (800) 899-1784

155 Harvestore Drive • DeKalb, IL 60115

www.sviinternational.com

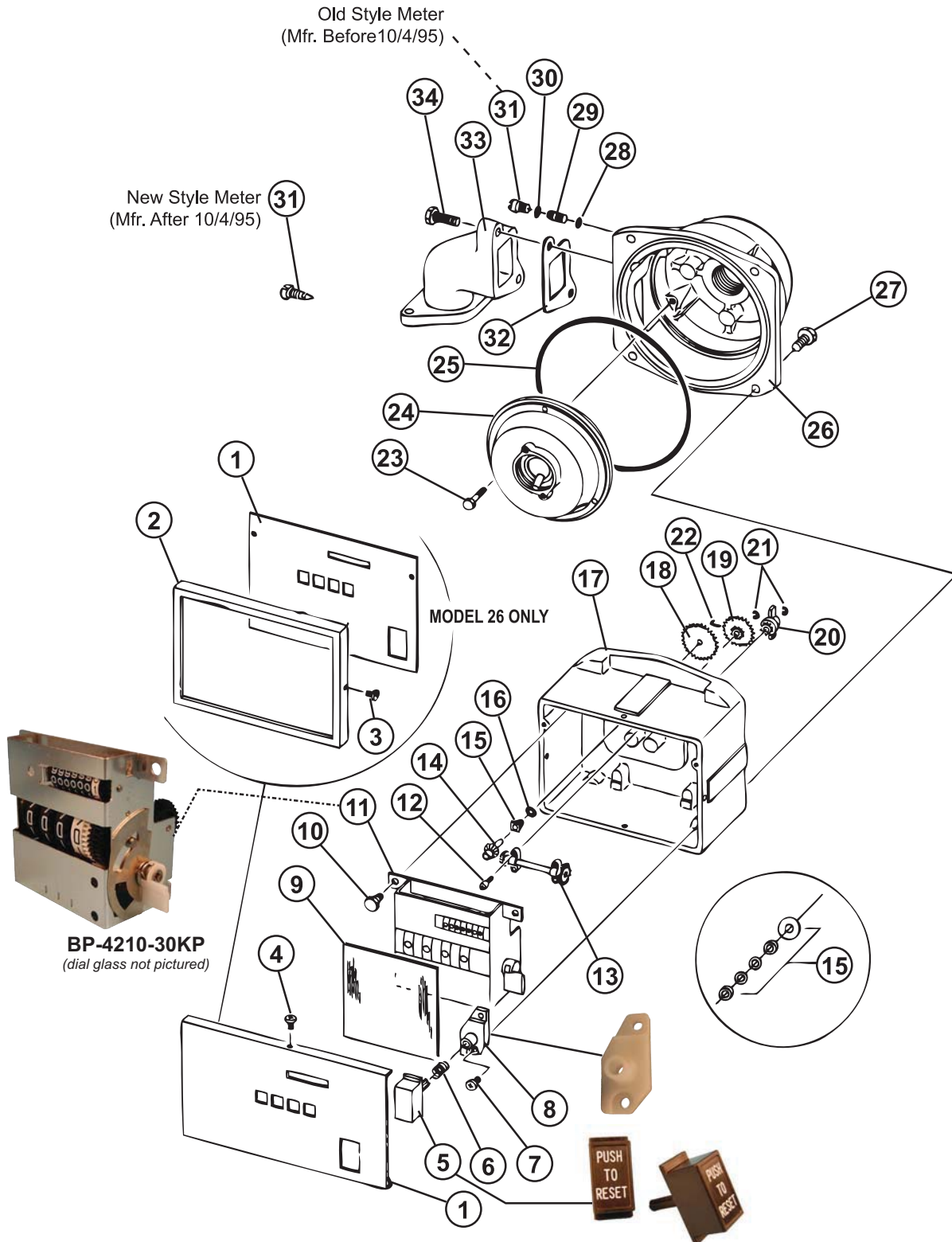
BALTIMORE • CHICAGO • LOS ANGELES

Repair Parts for:
Gasboy
Consumer
Products
PRC4210

Repair Parts for: Gasboy Consumer Products

**Models 25, 26 & 250
3460 Meter Register Assembly**

METER REGISTER ASSEMBLIES





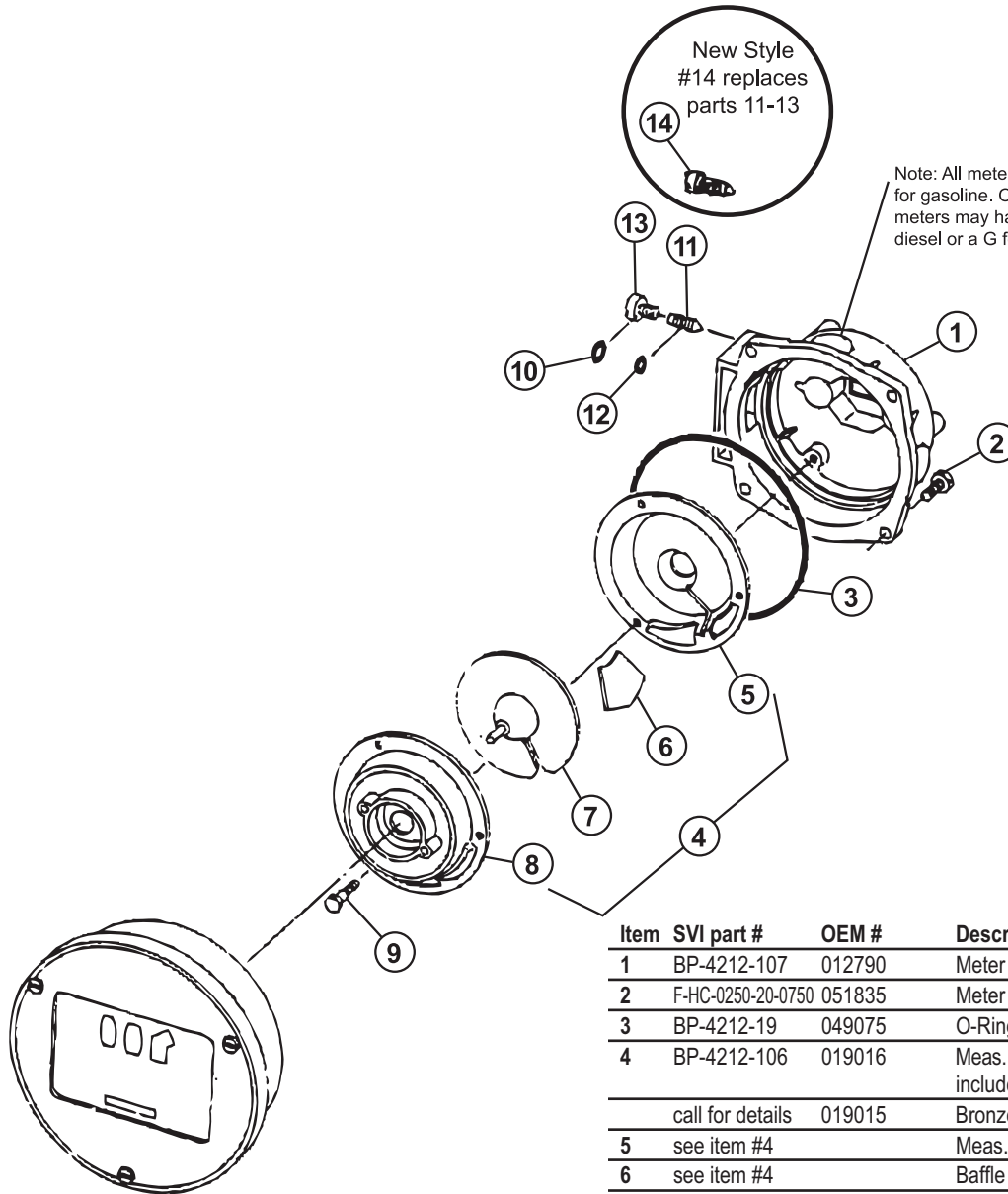
Models 25, 26 & 250
3460 Meter Register Assembly

Table with 4 columns: Item, SVI part #, OEM #, Description. Lists parts 1 through 17 including Dial Mask, Bezel, Phillips Head Screw, Reset Button, Spring, Screw, Bearing, Dial Glass, Cap Screw, Register Assembly, Reg. Assy., Drive Shaft Assembly, Bearing & Seal Stuffing Box, O-Ring, and Register Housing Assembly.

** Part is included in Repair Kit BP-4210-02 (OEM # 032892)

Table with 4 columns: Item, SVI part #, OEM #, Description. Lists parts 18 through 34 under categories CHANGE GEARS - US GALS, CHANGE GEARS - LITERS, and CHANGE GEARS - IMPERIAL. Includes Drive Gear, Cluster Gear, Control Block, E-Ring, Spring Key, Screw, Measuring Chamber, O-Ring, Meter Housing, Adj. Cap Screw, and Gasket.

1860 and 4860 Meter-Register



Item	SVI part #	OEM #	Description
1	BP-4212-107	012790	Meter Body
2	F-HC-0250-20-0750	051835	Meter Body Screw
3	BP-4212-19	049075	O-Ring
4	BP-4212-106	019016	Meas. Chamber Assy. (sold as assy. only; includes items 5-8)
	call for details	019015	Bronze Meas. Chamber
5	see item #4		Meas. Chamber - Bottom
6	see item #4		Baffle
7	see item #4		Measuring Disc
8	see item #4		Meas. Chamber - Top
9	BP-4212-105	025851	Screw
10	BP-4210-49	048895	O-Ring
11	call for details	053080	Adjusting Screw (old style)
12	BP-4210-48	048865	O-Ring, Buna
	call for details	048866	O-Ring, Viton
13	call for details	052195	Adjusting Screw, Cap
14	BP-4212-109	053081	Adjusting Screw (new style; replaces 11-13)

Register Assemblies

3-Wheel Disc Register (Shown Above)

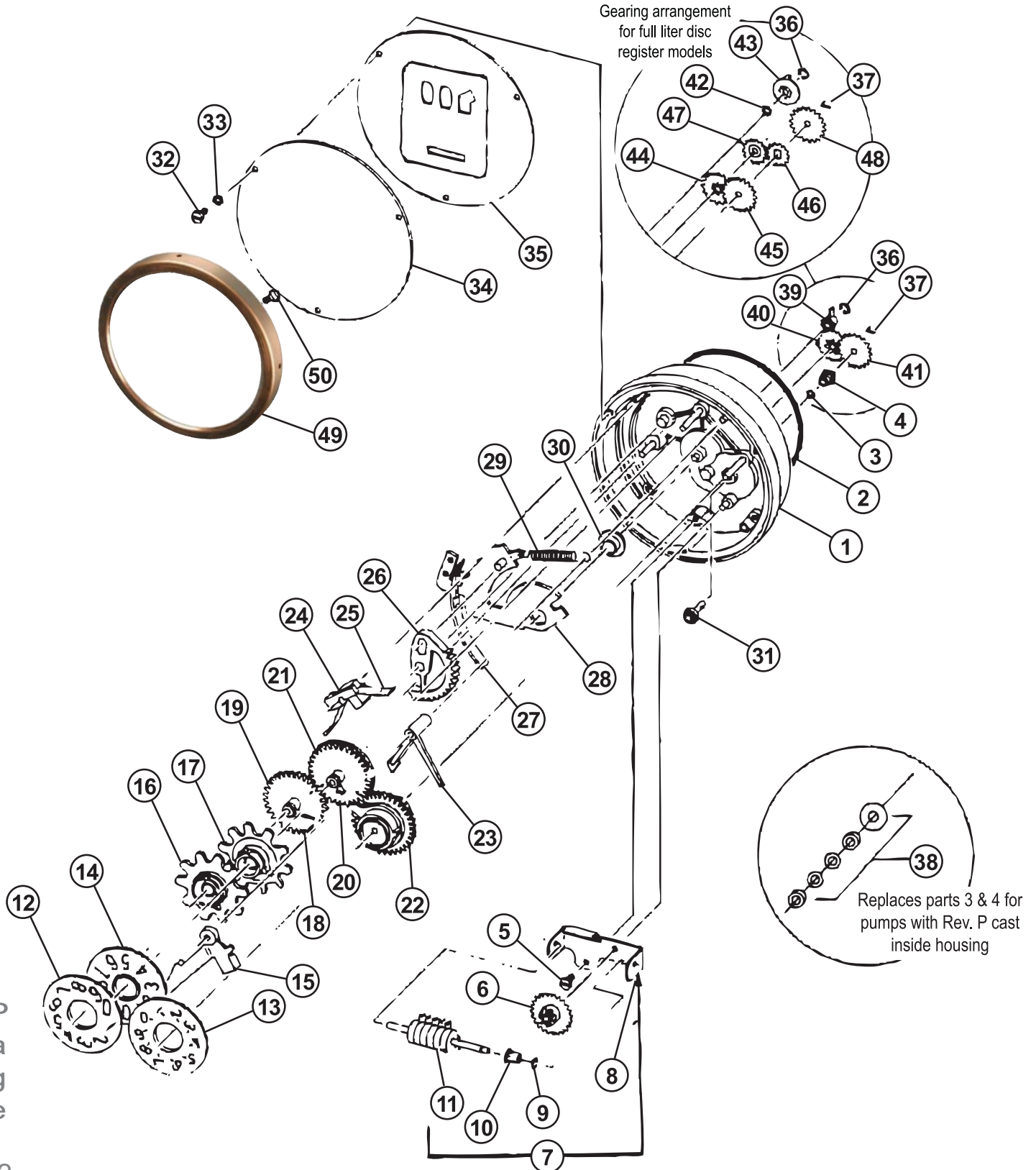
SVI part #	OEM #	Description
call for details	035963	US Gallons
call for details	036293	Full Liter
call for details	048478	1/10 Liter

4-Wheel Push-Button Register (Not Shown)

SVI part #	OEM #	Description
BP-4212-01	036400	US Gallons, 4860 Register Assembly
call for details	036404	Liter



1860 3-Wheel Meter Register Models 60, 64, 70 Series, and 1820





1860 3-Wheel Meter Register Models 60, 64, 70 Series, and 1820

Item	SVI part #	OEM #	Description
	BP-4212-02	032889	Repair Kit for 1860/3860 Meter (includes parts below marked with an *)
1	call for details	022675	Register Housing
2*	BP-4212-19	049075	O-Ring
3*	BP-4210-48	048865	O-Ring 5/32" ID
4*	BP-4210-40	014095	Bearing and Seal Assy. (Use only when Rev. K is cast inside of housing #1. If other Rev., see item 38)
5	call for details	052840 Q11270 351	Screw Screw
6	call for details	028615	Totalizer Drive Gear
7	BP-4218-01	065305	Totalizer Assembly (Items 8–11 not sold separately)
12*	BP-4212-43	024280	LH Number Disc
13*	BP-4212-44	024310	RH Number Disc
14*	BP-4212-45	024220	Center Number Disc
15	BP-4218-06	063220	Overthrow Stop Center & LH Wheels
16	BP-4212-25	028225	LH Count Wheel
	BP-4212-21	068994	LH Wheel Assy (Includes 16, 18, 19)
17	BP-4212-28	027580	Center Count Wheel
	BP-4212-20	068993	Center Wheel Assy. (Incl. 17, 20, 21)
18*	BP-4212-24	042070	LH Reset Pawl
19	BP-4212-23	028245	LH Reset Gear
20*	BP-4212-26	042040	Center Reset Pawl
21	BP-4212-27	027600	Center Reset Gear
22*	BP-4212-22	068995	Wheel and Clutch Assembly
23	call for details	042055	Overthrow Stop Pawl
24	call for details	048805	Detent Spring Retainer
25	BP-4210-99	057580	Detent Spring
26	call for details	054325	Reset Sector Gear
27	BP-4212-30	056425	Reset Lever Shoe
28	call for details	033822	Reset Lever
29	BP-4212-14	057895	Reset Lever Spring
30	call for details	012085	Reset Lever Bearing
31	BP-4212-31	054955	Register Drive Gear & Shaft
32	call for details	052840 Q11270 351	Dial Mask Screw Dial Mask Screw
33*	BP-4212-33	067780	Fiber Washer
34*	BP-4214-11	028780	Dial Glass
35	BP-4212-34	035394	Dial Mask US Gallons & Imperial Gallons
	call for details	035380	Dial Mask, Liter, Tenths
36*	BP-4212-32	049390	Retaining Ring
37*	BP-4210-47	031345	Drive Key
38*	BP-4210-50	036995	Bearing & Seal Assembly (Use only when Rev. P is cast inside of housing #1. If other Rev., see item 4)
49	BP-4212-40	012250	Bezel (70 Series)
50	call for details	053605 Q11769 02	Bezel Screw (70 Series) Bezel Screw (70 Series)

CHANGE GEARS - US GALLONS (New Style)

39	BP-4212-15	012491	Control Block, 12T
	call for details	012490	Control Block, Bronze, 12T
40	BP-4212-35	028129	Cluster Gear, Gas, 32T-11T
41	BP-4212-37	028448	Drive Gear, Gas, 36T

CHANGE GEARS - US GALLONS (Old Style)

39	BP-4212-15	012491	Control Block, 12T
	call for details	012490	Control Block, Bronze, 12T
40	call for details	027715	Cluster Gear, Gas, 33T-11T
	call for details	027655	Cluster Gear, Dsl, 34T-11T
41	BP-4212-37	028448	Drive Gear, Gas, 36T
	call for details	028450	Drive Gear, Dsl, 37T

CHANGE GEARS - IMPERIAL GALLONS

39	BP-4212-15	012491	Control Block, 12T
	call for details	012490	Control Block, Bronze, 12T
40	call for details	027670	Cluster Gear, Gas, 34T-10T
	call for details	027685	Cluster Gear, Dsl, 35T-10T
41	call for details	028465	Drive Gear, Gas, 38T
	call for details	028480	Drive Gear, Dsl, 39T

CHANGE GEAR - LITERS, TENTHS (99.9)

39	call for details	012505	Control Block, 26T
40	call for details	027705	Cluster Gear, Gas, 18T-11T
	call for details	027700	Cluster Gear, Dsl, 19T-11T, 1820S only
41	BP-4212-37	028448	Drive Gear, Gas, 36T
	call for details	028465	Drive Gear, Dsl, 38T

CHANGE GEARS - LITERS, FULL (999 LITERS)

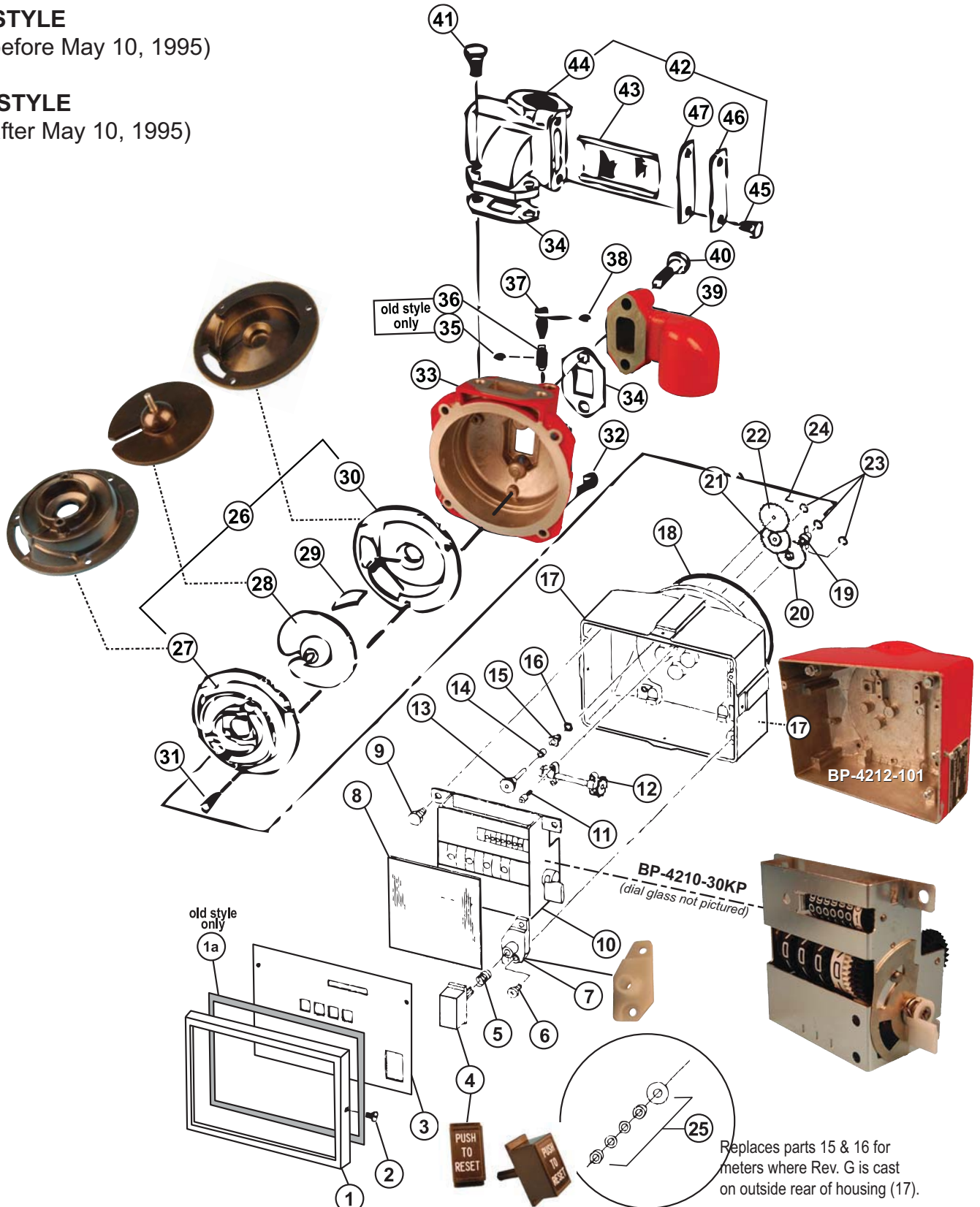
7	call for details	065309	Totalizer Assembly (all black wheels)
13	call for details	024315	RH Number Disc (Full Liter)
31	call for details	053318	Register Drive Gear & Shaft
35	call for details	035381	Dial Mask (Full Liter)
42	call for details	068454	Spacer Washer
43	BP-4212-15	012491	Control Block, 12T
	call for details	012490	Control Block, Bronze, 12T
44	BP-4212-35	028129	Cluster Gear, Gas, 32T-11T
	call for details	027655	Cluster Gear, Dsl, 34T-11T
45	call for details	028229	Gear, 38T
46	call for details	028230	Gear, 24T
47	call for details	028231	Cluster Gear, 14T-25T
48	call for details	028232	Drive Gear, Gas, 34T
	call for details	028228	Drive Gear, Dsl, 35T



4860 4-Wheel Meter Register (Models 67, 68, 72S and Series 1820R)

OLD STYLE
(Mfr. before May 10, 1995)

NEW STYLE
(Mfr. after May 10, 1995)





4860 4-Wheel Meter Register (Models 67, 68, 72S and Series 1820R)

Item	SVI part #	OEM #	Description
	BP-4212-100	036341	4860 Meter Register Assy., US Gallons
1	BP-4212-04	012236	Bezel
	call for details	012267	Bezel, 1820R
1a	call for details		(old style only)
2	call for details	052693	Bezel Screw
	BP-4212-05	053625	Bezel Screw
3	BP-4212-06	035309	Dial Mask
	call for details	035307	Dial Mask, 1820R
4	BP-4212-18	017269	Reset Button
5	BP-4212-16	057985	Spring, setback
6	BP-4212-07	053737	Reset Bearing Screw
7	BP-4212-17	011816	Reset Bearing
8	BP-4210-46	028736	Dial Glass
9	BP-4217-12	053901	Register Screw
		K85736 55	Register Screw
10	BP-4210-30KP	S00758	Register Assembly (incl. glass)
	BP-4210-30LS	S00765	Register Assembly, Ext. Shaft (incl. glass)
11	BP-4212-10	053626	Drive Shaft Assembly Screw
12	BP-4212-09	054513	Drive Shaft Assembly
13	BP-4212-11	054522	Drive Shaft and Gear
14	BP-4212-12	056791	Spacer
15	BP-4210-40	014095	Bearing and Seal Assy.
	(Use if no letter is cast onto rear of housing #17. If Rev. G, see item 25)		
16	BP-4210-48	048865	O-Ring
17	BP-4212-101	031020	Register Housing
	call for details	048426	Register Housing, 1820R
	call for details	048994	Register Housing (Model 71)
18	BP-4212-19	049075	O-Ring
23	BP-4212-32	049390	Retaining Ring - E
24	BP-4210-47	031345	Drive Key - Spring
25	BP-4210-50	036995	Bearing & Seal Assy.
	(Use only when Rev. G is cast onto rear of housing #17. If no Rev., see item 15)		
26	BP-4212-106	019016	Measuring Chamber phenolic (standard, sold as assy. only., consists of 27-30)
	call for details	019015	Measuring Chamber, bronze (optional)
27	call for details		Measuring Chamber, Top
28	call for details		Measuring Disc
29	call for details		Baffle
30	call for details		Measuring Chamber, Bottom
31	BP-4212-105	025851	Screw, Phenolic Chamber
	call for details	052750	Screw, Bronze Chamber
32	BP-4212-108	K43625	Meter Body Screw
33	BP-4212-107	012790	Meter Body
34	BP-4210-20	M05618B001	Gasket
35	BP-4210-48	048865	O-Ring (old style only)
36	call for details	053080	Adjusting Screw (old style only)
37	BP-4212-109	053081	Adjusting Screw Cap (new style)
	call for details	052195	Adjusting Screw Cap (old style)
38	BP-4210-49	048895	O-Ring
39	call for details	003560	Discharge Flange, 1"
40	call for details	K01904	Discharge Flange Screw

Item	SVI part #	OEM #	Description
41	call for details	051985	Inlet Flange Screw (new style)
	call for details	K01901	Inlet Flange Screw (old style)
42	call for details	063400	Inlet Flange & Strainer Assy., 1"
43	call for details	063295	Strainer
44	call for details	003305	Strainer Body, 1", 60°
45	call for details	Q10624 13	Strainer Cover Screw
46	BP-4214-27	022915	Strainer Cover
47	BP-4214-05	027355	Strainer Cover Gasket

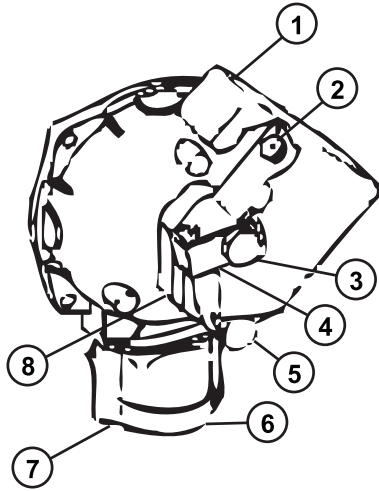
Change Gears

Item	SVI part #	OEM #	Description
US GALLONS (New Style) Gasoline or Diesel			
19	BP-4212-15	012491	Control Block, 12T
	call for details	012490	Control Block, Bronze, 12T
20	BP-4212-36	028168	Cluster Gear, 12T-39T
21	BP-4212-38	028172	Cluster Gear, Gas, 15T-38T
22	BP-4212-37	028448	Drive Gear, 36T
US GALLONS (Old Style)			
19	BP-4212-15	012491	Control Block, 12T
	call for details	012490	Control Block, Bronze, 12T
20	BP-4212-36	028168	Cluster Gear, 12T-39T
21	BP-4212-38	028172	Cluster Gear, Gas, 15T-38T
	call for details	028173	Cluster Gear, Dsl, 15T-39T
22	call for details	028450	Drive Gear, Gas, 37T
	call for details	028465	Drive Gear, Dsl, 38T
IMPERIAL GALLONS (New Style)			
19	BP-4212-15	012491	Control Block, 12T
	call for details	012490	Control Block, Bronze, 12T
20	BP-4212-36	028168	Cluster Gear, 12T-39T
21	call for details	028449	Drive Gear, Gas, 37T
22	call for details	028174	Cluster Gear, 13T-39T
IMPERIAL GALLONS (Old Style)			
19	BP-4212-15	012491	Control Block, 12T
	call for details	012490	Control Block, Bronze, 12T
20	BP-4212-36	028168	Cluster Gear, 12T-39T
21	call for details	028174	Cluster Gear, 13T-39T
22	call for details	028449	Drive Gear, Gas, 37T
	call for details	028163	Drive Gear, Dsl, 39T
LITER MEASURE (New Style)			
19	BP-4212-15	012491	Control Block, 12T
	call for details	012490	Control Block, Bronze, 12T
20	BP-4212-38	028172	Cluster Gear, Gas, 15T-38T
21	call for details	028175	Cluster Gear, 29T-36T
22	call for details	028151	Drive Gear, Dsl, 25T
LITER MEASURE (Old Style)			
19	BP-4212-15	012491	Control Block, 12T
	call for details	012490	Control Block, Bronze, 12T
20	BP-4212-38	028172	Cluster Gear, Gas, 15T-38T
	call for details	028173	Cluster Gear, Dsl, 15T-39T
21	call for details	028175	Cluster Gear, 29T-36T
22	call for details	028171	Drive Gear, Dsl, 26T
	call for details	028151	Drive Gear, Gas, 25T

NOTE: Due to meter redesign, meters manufactured after May 10, 1995, use the New Style change gears. Older meters use the Old Style change gears.



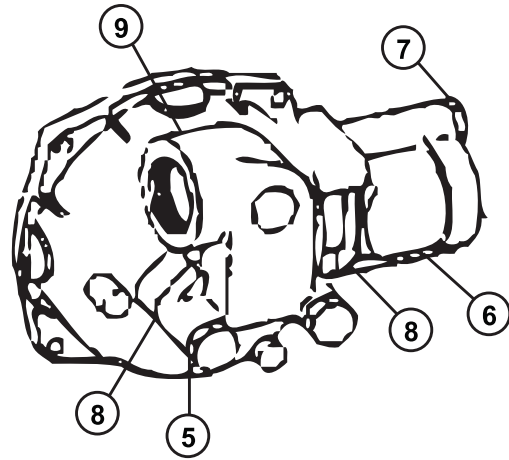
4860 - Specific Meter Model Configurations



Model 4860-7A / OEM # 035867
For Hand Pump Applications

Hose drain valve body equipped with vacuum breaker to permit easy draining of hose and prevent siphoning on above-ground tank applications.

Nozzle boot and hook provided to hang up hand pump nozzle.
1" NPT inlet; 3/4" NPT outlet.

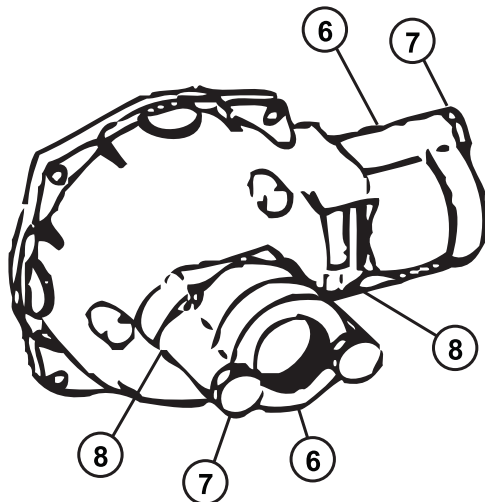


Model 4860-4D / OEM # 035882
For Straight Piping Applications

Register can be oriented to any of four 90° positions for proper reading to conform to vertical or horizontal straight piping requirements.
1" NPT inlet and outlet.

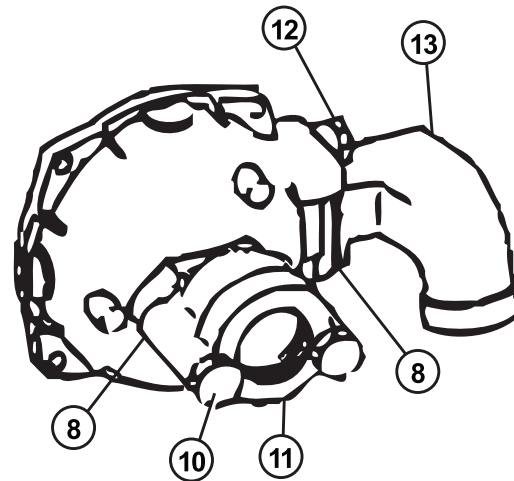
Item	SVI part #	OEM #	Description
1	call for details	003235	Hose Drain Valve Body
2	BP-4211-23	066570	Vacuum Breaker
3	call for details	K01904	Body & Nozzle Hook Screw
4	call for details	030205	Nozzle Hook
5	BP-4212-111	K04395	Discharge Screw
6	call for details	003650	Inlet Flange, 1"
7	call for details	Q10624 31	Inlet Flange Screw

Item	SVI part #	OEM #	Description
8	BP-4210-20	M05618B001	Gasket
9	call for details	003560	Discharge Flange, 1"
10	BP-4212-111	K04395	Discharge Flange Screw
11	BP-4212-110	003542	Discharge, 3/4", Vacuum Breaker
12	call for details	K47659	Inlet Flange Screw
13	BP-4212-112	003597	Inlet Flange, 3/4", 15°



Model 4860-4E / OEM # 035888
For 90° Turn Piping Applications

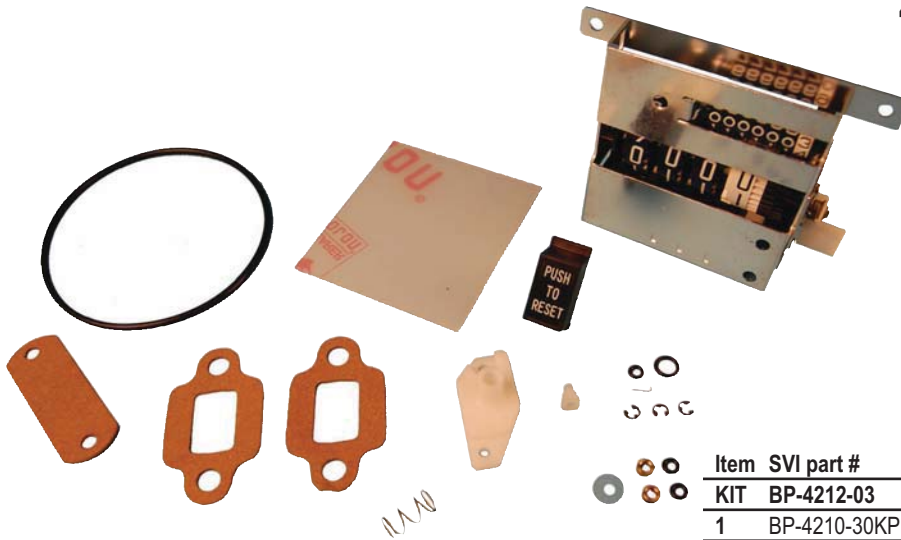
Register can be oriented to any of 90° positions for proper reading to conform to piping requirements.
1" NPT inlet and outlet.



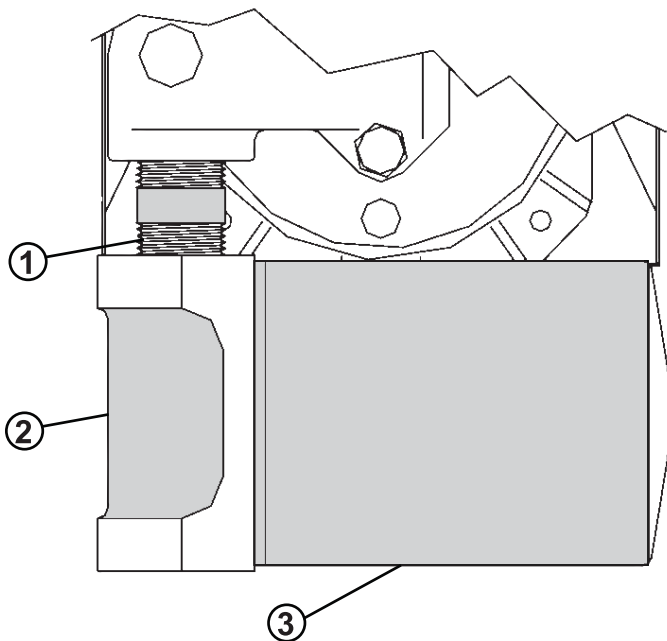
Model 4860-4F / OEM # 035936
For Electric Pump Applications

Inlet flange offset to tip register back 15° from vertical for convenient reading. Discharge flange angled at 30° to prevent hose kink at coupling. 3/4" NPT inlet and outlet.

4860 Meter Repair Kit



Item	SVI part #	OEM #	Description
KIT	BP-4212-03	033026	4860 Meter Repair Kit
1	BP-4210-30KP	S00758	Register and Glass Assembly
2	BP-4210-20	M05618B001	Gasket, Inlet-Outlet
3	BP-4214-05	027355	Gasket, Strainer Cover
4	BP-4210-50	036995	Meter Parts-Stuffing Box
5	BP-4210-49	048895	O-Ring, 5/16 x 7/16
6	BP-4210-19	049075	O-Ring, 4-5/8 x 4-7/8
7	BP-4212-32	049390	E-Ring, 5-33-15
8	BP-4210-48	048865	O-Ring, 5/32 x 9/32
9	BP-4210-40	014095	Bearing, Seal-Stuffing Box
10	BP-4212-17	011816	Bearing
11	BP-4212-18	017269	Reset Button
12	BP-4210-47	031345	Key, Spring
13	BP-4212-16	057985	Setback Spring



4860 Meter Breakdown—Filter

Item	SVI part #	OEM #	Description
1	call for details	R11495 46	Pipe, 1 x 1-3/4"
2	call for details	003044	Filter Adapter, 1"
3	call for details	026005	Filter, 7 Micron, Particulate only
	call for details	026015	Filter, 30 Micron, Water and Particulate
	call for details	026042	Filter, 10 Micron, Water and Particulate
	call for details	025909	Filter, 1 Micron, Particulate only, Methanol



Gasboy Quick Reference

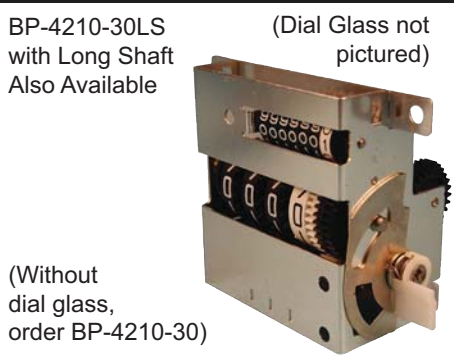
<p>BP-4210-02 Repair Kit - 20 Series (old style)</p>  <p>For new style, order BP-4210-02N</p>	<p>BP-4210-01 Repair Kit for 1800, 70, 390</p> 	<p>BP-4211-03 Repair Kit for 60 Series</p> 
<p>BP-4210-29 Seal Kit (old style) - 20 series</p> 	<p>BP-4210-29N Seal Kit (new style) - 20 series</p> 	<p>BP-4211-13 Seal Kit - 60 Series</p> 
<p>BP-4210-20 Gasket (OEM #M05618B001 / 027055)</p> 	<p>BP-4210-07-5 Vaness (5-pack) - Series 20-26</p> 	<p>BP-4211-07 Vane - 60 Series</p> 
<p>BP-4210-56 Rotor for 20 Series</p> 	<p>BP-4211-04 Rotor - 60 Series</p> 	<p>BP-4210-22 Rotor for 70 Series, 1800 & 390</p> 

Gasboy Quick Reference

BP-4210-28
Check Valve Assy.



BP-4210-30KP
Meter Register with Dial Glass



BP-4211-36
Brush/Switch Replacement Kit



BP-4210-23
Seal Kit for 70 Series & 1820



BP-4217-05
Repair Kit for 1720A, 1520 & 787



BP-4218-07A
Switch & Protector 4 Terminal



BP-4210-60
Check Valve Retrofit Kits



BP-4212-21
Left Wheel for 1860 Register



BP-4212-20
Center Wheel for 1860 Register



BP-4212-04
Meter Bezel - 4860



BP-4212-40
Meter Bezel - Round (70 Series)



BP-4210-80
Bypass Stem Assembly 70/1800





Gasboy Quick Reference

BP-4210-68

Nozzle Hanger 1820



BP-4212-34

Round Dial Mask - Gallons



BP-4212-73

Toggle Switch for Motor 70 Series



BP-4214-07

Vane - Carbon



BP-4212-02

Repair Kit for 1860 Register



BP-4217-10

Repair Kit for 1700 Series



BP-4218-30R

Nozzle Boot - 70 Series (Red)



BP-4210-58

Vacuum Breaker Assembly



BP-4211-23

Vacuum Breaker Assembly



BP-4218-20

Motor for 70 Series

(Available in Red, White or Beige)



1/3 HP Motor 60Hz. 48 Frame

BP-4218-28

Motor for 1800 Series



1/3 HP Motor 60Hz. 48 Frame

BP-4218-25 and BP-4218-26

60 Hz. Motors for 20 Series



BP-4218-25 Motor for Models 25 & 250
BP-4218-26 Motor for Models 26, 27, 28

Gasboy Quick Reference

BP-4210-67
Check Valve Assembly



BP-4211-08
Check Valve - 60 Series



BP-4210-04
Seal Kit - 600 Series



BP-4212-17
Reset Bearing



BP-4212-18
Reset Button



BP-4212-03
Repair Kit for 4860 Register



**TERMS AND CONDITIONS OF THE
SALES ORDER
FOR SVI INTERNATIONAL, INC.**

1. **GENERAL.** The terms and conditions of sales order outlined herein shall apply to the sale by SVI INTERNATIONAL, INC. (hereinafter referred to as "Company") of the items described on the facing page (hereinafter referred to as "Merchandise") to Purchaser.
2. **DELIVERY.** Delivery shall be deemed to be complete when the Merchandise has been shipped F.O.B. Company's plants in DeKalb, Illinois, Duarte, California; and Baltimore, Maryland ("Company's plants"). Shipments are subject to delays from causes or contingencies beyond the reasonable control of the Company. When otherwise not specified, shipments will be made in standard containers via carrier which, in the judgment of the Company, will result in the most practical method. Title and right of possession will pass to the Purchaser upon receipt by the carrier at the shipping point. If a customer of the Company should specify a specific carrier's method of shipment (i.e. UPS Next Day Air) and that carrier does not perform to the customer's expectations, freight credit to a customer's account will not be issued unless the Company can first obtain a credit.
3. **RISK OF LOSS.** Identification of the Merchandise under Uniform Commercial Code (hereinafter referred to as "UCC") Section 2-501 shall take place at the moment of shipment F.O.B. Company's plants. Risk of loss shall pass to the Purchaser when the Merchandise is shipped from the Company's plants.
4. **TITLE.** Title to the merchandise shall transfer to the Purchaser when the Merchandise is shipped from the Company's plants.
5. **WARRANTIES.** The Company guarantees its products to be free from defects in workmanship and raw materials for a period of one year from date of purchase. THIS WARRANTY IS EXPRESSLY IN LIEU OF ANY AND ALL WARRANTIES EXPRESS OR IMPLIED. COMPANY DOES NOT WARRANT THE MERCHANDISE IS MERCHANTABLE OR FIT FOR ANY PARTICULAR PURPOSE. Company's liability for breach of the terms of this Agreement, including any warranty, is limited to either refund of the invoice price of the Merchandise or at Company's option, replacement of the Merchandise free of charge, including transportation charges but not including the cost of labor. Purchaser has not relied on any statement or upon the conduct of Company with respect to the prospective use of the merchandise. Company shall not be liable for and Purchaser waives any and all claims for any loss or damage, directly or indirectly, arising from the use of the Merchandise and for punitive, incidental or consequential damages, including, but not limited to, damages to property, for loss of use, loss of time, loss of profit or loss of income. The Company does not authorize the sale of our products under any other warranty, expressed or implied.
6. **SETOFF.** All claims for money due or to become due from the Company shall be subject to deduction by the Company for any setoff or counterclaim arising out of this or any other claims of the Company or its affiliated companies, whether such setoff or counterclaim arose before or after any assignment by Purchaser.
7. **INDEMNIFICATION.** Purchaser agrees to indemnify the Company and hold it harmless from and against all claims, liability, loss, damage or expense, including reasonable counsel fees, arising from or by reason of any modifications or alterations made by Purchaser. If a customer of the Company modifies or alters any part, in any manner whatsoever, or uses any part in departure from recommended performance specifications, said customer agrees to indemnify and hold the Company harmless from and against all liability and expenses based on damage to property or injury to or death of any person arising out of or attributable to such modified or altered part. Further, the Company will not accept any such modified or altered part for credit to a customer's account.
8. **FREIGHT POLICY.** Freight charges on individual orders less than \$3,000 in net value are prepaid and added to invoice or collect F.O.B. shipping point. Freight charges (standard ground service and continental US only) on individual orders more than \$3,000 net value are paid by the Company F.O.B. shipping point. Note: customers with C.O.D. terms are responsible for all carrier C.O.D. fees regardless of order net value.
9. **RETURN POLICY.** To return parts for credit or inspection Purchaser must first contact the Company to obtain a Return Goods Authorization number (RGA#). Once Purchaser has obtained an RGA# the parts can be returned freight prepaid only. The RGA# must be on the outside of the container in a highly visible location. All parts must be returned freight prepaid and the shipment must include a letter of explanation giving the specific reason for return including details as to the conditions under which the part or parts operated. Note: parts returned without an RGA#, freight collect or without written explanation may be refused. Parts which have been used in any way or manner, including any installation or incorporation into a lift or hoist, shall NOT be eligible for return whether or not an RGA has been assigned.
10. **RESTOCK CHARGE.** Returns are subject to up to twenty-five (25%) restocking charge. Refusals are subject to the same restocking charge plus the cost of outbound and return freight charges and/or fees incurred by the Company due to shipment refusal.
11. **PRICES AND PAYMENTS.** All prices are subject to change without notice. All prices are F.O.B. shipping point. The Company standard terms are net 30 days, C.O.D. company check, C.O.D. cash, VISA, MasterCard, Discover or American Express. However, if in the judgment of the Company, the financial condition of the Purchaser at any time does not justify shipment according to standard terms of payment, the Company may require full or partial payment in advance.
12. **INTERPRETATION.** This sales order is intended by the parties as a complete and exclusive statement of the terms of their agreement. It supersedes all prior agreements, written or oral. No course of prior dealings between the parties and no usage of the trade shall be relevant to supplement or explain any terms used in this sales order. Acceptance or acquiescence in a course of performance rendered under this purchase order shall not be relevant to determine the meaning of this sales order even though the accepting or acquiescing party has knowledge of the nature of the performance and opportunity for objection. Whenever a term defined by the UCC is used in this sales order the definition contained in the UCC shall control.
13. **MODIFICATION.** This sales order can be modified or rescinded only by a writing signed by both parties.
14. **WAIVER.** No claim or right arising out of a breach of this sales order can be discharged in whole or in part by a waiver or renunciation of the claim or right unless such waiver or renunciation is supported by consideration and is in writing signed by the aggrieved party.
15. **ASSIGNMENT.** No right or interest in this sales order shall be assigned by either party without the written consent of the other and no delegation of any obligation owed, or of the performance of any obligation by either the Company or Purchaser shall be made without the written consent of the other party. Any attempted assignment or delegation not made in conformity with this paragraph shall be wholly void and totally ineffective for all purposes.
16. **TIME TO PERFORM AND BRING ACTION.** Time is of the essence of this sales order. Any action for breach of this sales order shall be commenced within two (2) years after the cause of action has accrued. Any party who loses any litigation shall reimburse the other party for costs including reasonable attorneys fees. The exclusive jurisdiction for any legal action shall be the Circuit Court of DeKalb County, Illinois.
17. **APPLICABLE LAW.** This sales order shall be governed by the UCC of Illinois as effective and in force on the date of this sales order.

Offering the Best in Automotive Lift Repair Parts and More!

Auto Lift Cables • Auto Lift Parts • Brake Lathe Repair Parts

Compressed Air Repair Parts • Exhaust System Products • Fluid Delivery Repair Parts

Lubrication Equipment Repair Parts • Repair Parts for Gasboy Consumer Series

Service Station Pump and Tank Products • SVI Misc Auto Lift Products and Catalogs

Tire Changer Repair Parts • Vehicle Lifting Systems • Wheel Balancer Accessories

Serving the Industry Since 1977 • Same-Day Shipping



SVI International, Inc.

(800) 321-8173 • fax: (800) 899-1784

155 Harvestore Drive • DeKalb, IL 60115

www.sviinternational.com

BALTIMORE • CHICAGO • LOS ANGELES