

Gasboy Consumer Products

R E P A I R P A R T S



(800) 321-8173 • fax: (800) 899-1784

155 Harvestore Drive • DeKalb, IL 60115

www.sviinternational.com

BALTIMORE • CHICAGO • LOS ANGELES

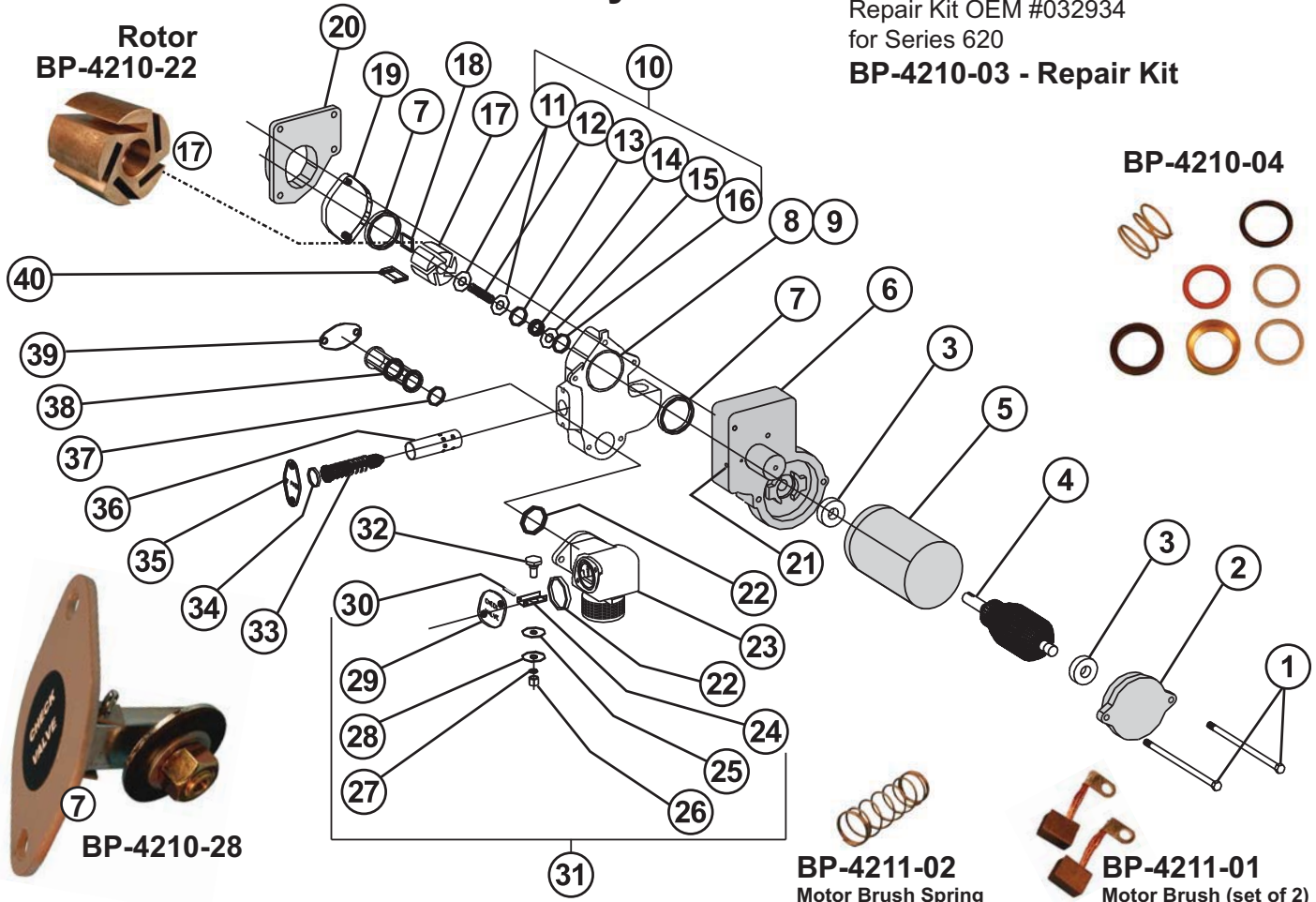
Repair Parts for:
Gasboy
Consumer
Products
PRC4210

Repair Parts for: Gasboy Consumer Products



600 Series General Assembly

* Parts included in
Repair Kit OEM #032934
for Series 620
BP-4210-03 - Repair Kit

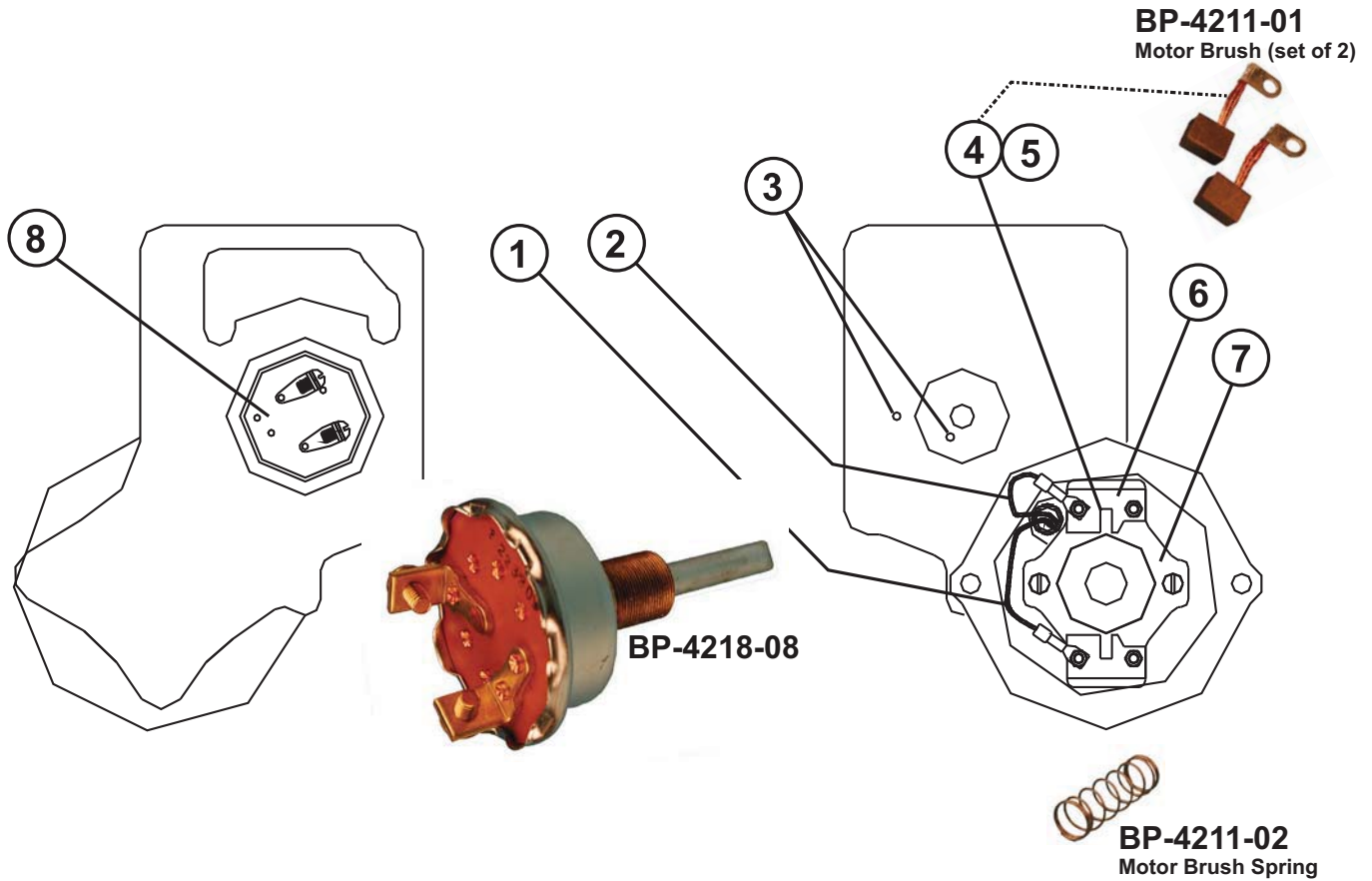


Item	SVI part #	OEM #	Description
1	call for details	012905	Hex Bolt, 5/16-18 x 6-1/2
2	call for details	003814	End Cap
3	call for details	011869	Bearing
4	call for details	010907	Armature 12 VDC
	call for details	010908	Armature 24 VDC
5	call for details	037405	Field Assembly
6	call for details	003813	Motor Housing
7*	BP-4210-27	049004	Square Cut Ring
8	BP-4210-100	003210	Pump Block
9	call for details	052976	Ground Screw (not shown)
10*	BP-4210-04	054026	Seal Kit (incl. items 11-16)
11*	BP-4210-32	067210	Washer
12*	BP-4210-05	057955	Seal Spring
13*	BP-4210-33	048941	O-Ring
14*	BP-4210-34	049510	Rotating Sealing Ring
15*	BP-4210-35	048820	Floating Seal Ring
16*	BP-4210-06	048971	O-Ring
17*	BP-4210-22	051475	Rotor
18*	BP-4210-21	031285	Key
19	BP-4210-102	003490	Pump Cover
20	call for details	003819	Switch Cap
21	call for details	053170	Set Screw, 1/4-20 x 1/2" (Note: covered with silicone to prevent water entry)
22*	BP-4210-26	049003	Square Cut Ring

Item	SVI part #	OEM #	Description
23	BP-4210-101	003065	Pump Base
24*	call for details	029155	Valve Guide
25*	call for details	068680	Washer
26*	call for details	038980	Hex Jam Nut
27*	call for details	068650	Washer
28*	call for details	024356	Valve Disk
29*	call for details	022271	Check Valve Cover Assembly
30*	call for details	042370	Cotter Pin
31*	BP-4210-28	066655	Check Valve Assembly (incl. items 24-30)
32	call for details	062620	Valve Stem
33	call for details	062338	Bypass Stem Assembly
34*	BP-4210-24	049001	Square Ring
35	BP-4210-103	022315	By-Pass Cover
36	BP-4210-104	065725	Tube, By-Pass Valve
37*	BP-4210-25	049002	Square Ring
38	BP-4210-11	063266	Strainer, 30 Mesh
39	BP-4210-103	022900	Strainer Cover
40*	BP-4210-08	067030	Vane
41	call for details	067466	Shim Washer (not pictured)
*	BP-4211-01	015846	Brush, 600 Series
*	BP-4211-02	057867	Spring, 600 Series
		BP-4210-03	032934 Series 620 Repair Kit

P
a
g
e
28

600 Series Pump and Motor Assembly



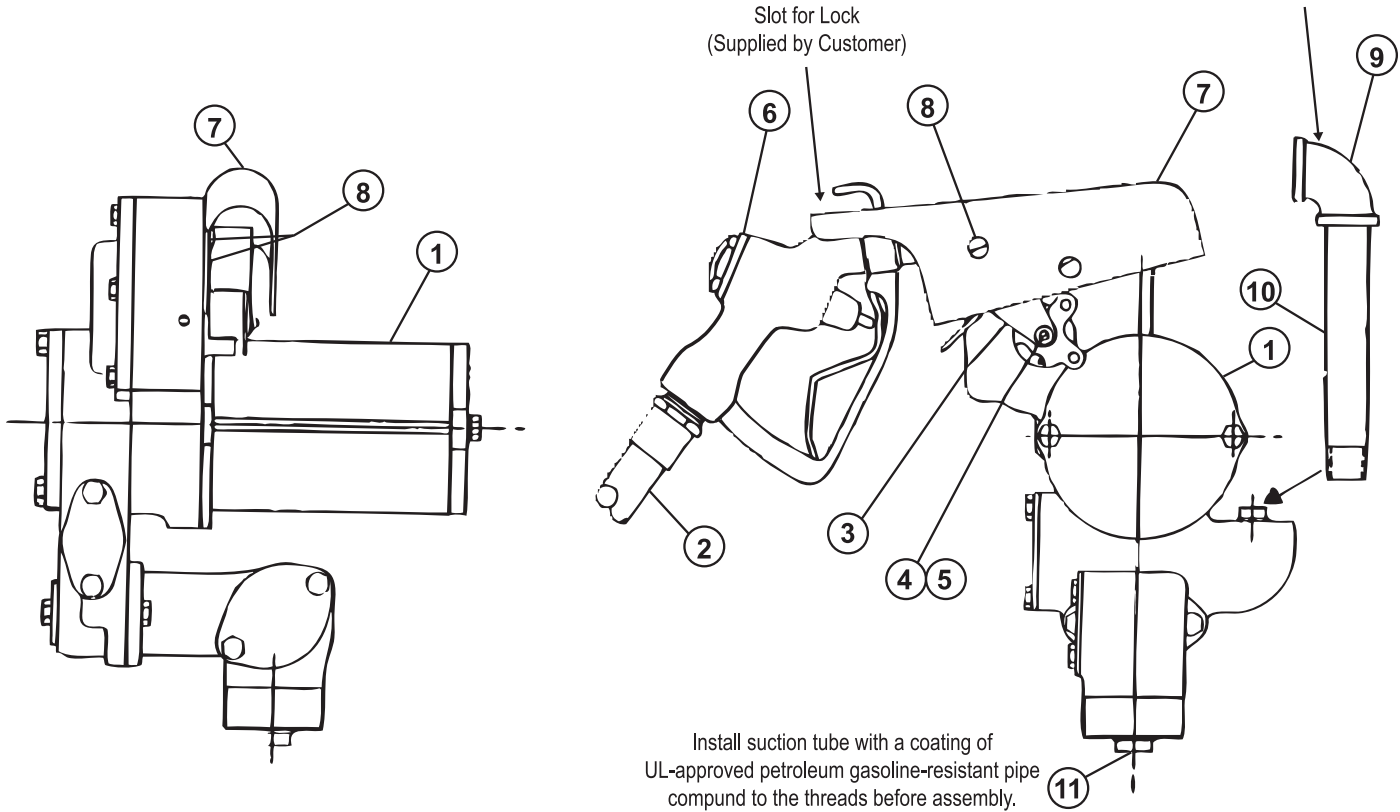
Item	SVI part #	OEM #	Description
1	call for details	014161	Lead Assembly (+)
	call for details	014160	Lead Assembly (-) (not shown)
2	call for details	014162	Lead Assembly
3	BP-4210-115	042580	Drive Lock Pin (2 required)
4	BP-4211-01	015846	Brush (set of two)

Item	SVI part #	OEM #	Description
5	BP-4211-02	057867	Spring (2 required)
6	call for details	015848	Brush Retainer
7	call for details	015845	Brush Holder
8	BP-4218-08	033759	Switch, On/Off



600 Series General Assembly - Exterior

Discharge Extension Assembly is shipped loose. When assembling, torque to 185 ft.-lbs. using a coating of gasoline resistant pipe compound.



Item	SVI part #	OEM #	Description
1	call for details		Pump & Motor Assembly 12VDC
	call for details		Pump & Motor Assembly 24VDC
2	call for details	030430	Hose, 1" x 12'
3	BP-4218-09	064307	Switch Lever Assembly
4	call for details	052765	RHMS, #8-32 x 5/16
5	call for details	C01171	Lockwasher #8
6	call for details	038509	Nozzle, 1" NPT, Leaded
	call for details	038469	Nozzle, 1" NPT, Unleaded
7	BP-4213-01	003807	Nozzle Boot
8	call for details	053903	Fl. Hd. Machine Screw, 1/4-20 x 1/2"
9	call for details		1" Discharge Units
	call for details	024925	Elbow, 3/4" x 1" x 90 reduc.
	call for details		1" Discharge Units with Vacuum Breaker
	call for details	064796	Tee, 1" Optional (not shown)
	call for details	017270	Bushing, 3/4" x 1" Reduc., Opt. (not shown)
	call for details	017286	Hex Bushing, 3/4" x 1/8", Opt. (not shown)
	BP-4211-23	066570	Vacuum Breaker, Opt., (not shown)

Item	SVI part #	OEM #	Description
10	BP-4210-106	044089	Pipe Nipple, 3/4" x 6-7/8"
11	call for details	064895	Suction Tube, 1" NPT

OPTIONS (not shown)

call for details	035606		Meter, Model 3460-4J, US Gas (customer installed)
call for details	033147		Meter, Model 3460-4J, US Diesel (customer installed)
call for details	035607		Meter, Model 3460-4J, Liter Gas (customer installed)
call for details	033142		Meter, Model 3460-4J, Liter Diesel (customer installed)
call for details	033063		Meter Repair Kit
call for details	038519		Automatic nozzle, std. flow, unleaded
call for details	038520		Automatic nozzle, std. flow, leaded



Gasboy Quick Reference

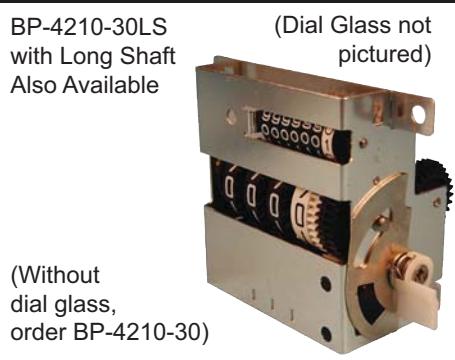
<p>BP-4210-02 Repair Kit - 20 Series (old style)</p>  <p>For new style, order BP-4210-02N</p>	<p>BP-4210-01 Repair Kit for 1800, 70, 390</p> 	<p>BP-4211-03 Repair Kit for 60 Series</p> 
<p>BP-4210-29 Seal Kit (old style) - 20 series</p> 	<p>BP-4210-29N Seal Kit (new style) - 20 series</p> 	<p>BP-4211-13 Seal Kit - 60 Series</p> 
<p>BP-4210-20 Gasket (OEM #M05618B001 / 027055)</p> 	<p>BP-4210-07-5 Vaness (5-pack) - Series 20-26</p> 	<p>BP-4211-07 Vane - 60 Series</p> 
<p>BP-4210-56 Rotor for 20 Series</p> 	<p>BP-4211-04 Rotor - 60 Series</p> 	<p>BP-4210-22 Rotor for 70 Series, 1800 & 390</p> 

Gasboy Quick Reference

BP-4210-28
Check Valve Assy.



BP-4210-30KP
Meter Register with Dial Glass



BP-4211-36
Brush/Switch Replacement Kit



BP-4210-23
Seal Kit for 70 Series & 1820



BP-4217-05
Repair Kit for 1720A, 1520 & 787



BP-4218-07A
Switch & Protector 4 Terminal



BP-4210-60
Check Valve Retrofit Kits



BP-4212-21
Left Wheel for 1860 Register



BP-4212-20
Center Wheel for 1860 Register



BP-4212-04
Meter Bezel - 4860



BP-4212-40
Meter Bezel - Round (70 Series)



BP-4210-80
Bypass Stem Assembly 70/1800





Gasboy Quick Reference

BP-4210-68

Nozzle Hanger 1820



BP-4212-34

Round Dial Mask - Gallons



BP-4212-73

Toggle Switch for Motor 70 Series



BP-4214-07

Vane - Carbon



BP-4212-02

Repair Kit for 1860 Register



BP-4217-10

Repair Kit for 1700 Series



BP-4218-30R

Nozzle Boot - 70 Series (Red)



BP-4210-58

Vacuum Breaker Assembly



BP-4211-23

Vacuum Breaker Assembly



BP-4218-20

Motor for 70 Series

(Available in Red, White or Beige)



1/3 HP Motor 60Hz. 48 Frame

BP-4218-28

Motor for 1800 Series



1/3 HP Motor 60Hz. 48 Frame

BP-4218-25 and BP-4218-26

60 Hz. Motors for 20 Series



BP-4218-25 Motor for Models 25 & 250
BP-4218-26 Motor for Models 26, 27, 28

Gasboy Quick Reference

BP-4210-67
Check Valve Assembly



BP-4211-08
Check Valve - 60 Series



BP-4210-04
Seal Kit - 600 Series



BP-4212-17
Reset Bearing



BP-4212-18
Reset Button



BP-4212-03
Repair Kit for 4860 Register



**TERMS AND CONDITIONS OF THE
SALES ORDER
FOR SVI INTERNATIONAL, INC.**

1. **GENERAL.** The terms and conditions of sales order outlined herein shall apply to the sale by SVI INTERNATIONAL, INC. (hereinafter referred to as "Company") of the items described on the facing page (hereinafter referred to as "Merchandise") to Purchaser.
2. **DELIVERY.** Delivery shall be deemed to be complete when the Merchandise has been shipped F.O.B. Company's plants in DeKalb, Illinois, Duarte, California; and Baltimore, Maryland ("Company's plants"). Shipments are subject to delays from causes or contingencies beyond the reasonable control of the Company. When otherwise not specified, shipments will be made in standard containers via carrier which, in the judgment of the Company, will result in the most practical method. Title and right of possession will pass to the Purchaser upon receipt by the carrier at the shipping point. If a customer of the Company should specify a specific carrier's method of shipment (i.e. UPS Next Day Air) and that carrier does not perform to the customer's expectations, freight credit to a customer's account will not be issued unless the Company can first obtain a credit.
3. **RISK OF LOSS.** Identification of the Merchandise under Uniform Commercial Code (hereinafter referred to as "UCC") Section 2-501 shall take place at the moment of shipment F.O.B. Company's plants. Risk of loss shall pass to the Purchaser when the Merchandise is shipped from the Company's plants.
4. **TITLE.** Title to the merchandise shall transfer to the Purchaser when the Merchandise is shipped from the Company's plants.
5. **WARRANTIES.** The Company guarantees its products to be free from defects in workmanship and raw materials for a period of one year from date of purchase. THIS WARRANTY IS EXPRESSLY IN LIEU OF ANY AND ALL WARRANTIES EXPRESS OR IMPLIED. COMPANY DOES NOT WARRANT THE MERCHANDISE IS MERCHANTABLE OR FIT FOR ANY PARTICULAR PURPOSE. Company's liability for breach of the terms of this Agreement, including any warranty, is limited to either refund of the invoice price of the Merchandise or at Company's option, replacement of the Merchandise free of charge, including transportation charges but not including the cost of labor. Purchaser has not relied on any statement or upon the conduct of Company with respect to the prospective use of the merchandise. Company shall not be liable for and Purchaser waives any and all claims for any loss or damage, directly or indirectly, arising from the use of the Merchandise and for punitive, incidental or consequential damages, including, but not limited to, damages to property, for loss of use, loss of time, loss of profit or loss of income. The Company does not authorize the sale of our products under any other warranty, expressed or implied.
6. **SETOFF.** All claims for money due or to become due from the Company shall be subject to deduction by the Company for any setoff or counterclaim arising out of this or any other claims of the Company or its affiliated companies, whether such setoff or counterclaim arose before or after any assignment by Purchaser.
7. **INDEMNIFICATION.** Purchaser agrees to indemnify the Company and hold it harmless from and against all claims, liability, loss, damage or expense, including reasonable counsel fees, arising from or by reason of any modifications or alterations made by Purchaser. If a customer of the Company modifies or alters any part, in any manner whatsoever, or uses any part in departure from recommended performance specifications, said customer agrees to indemnify and hold the Company harmless from and against all liability and expenses based on damage to property or injury to or death of any person arising out of or attributable to such modified or altered part. Further, the Company will not accept any such modified or altered part for credit to a customer's account.
8. **FREIGHT POLICY.** Freight charges on individual orders less than \$3,000 in net value are prepaid and added to invoice or collect F.O.B. shipping point. Freight charges (standard ground service and continental US only) on individual orders more than \$3,000 net value are paid by the Company F.O.B. shipping point. Note: customers with C.O.D. terms are responsible for all carrier C.O.D. fees regardless of order net value.
9. **RETURN POLICY.** To return parts for credit or inspection Purchaser must first contact the Company to obtain a Return Goods Authorization number (RGA#). Once Purchaser has obtained an RGA# the parts can be returned freight prepaid only. The RGA# must be on the outside of the container in a highly visible location. All parts must be returned freight prepaid and the shipment must include a letter of explanation giving the specific reason for return including details as to the conditions under which the part or parts operated. Note: parts returned without an RGA#, freight collect or without written explanation may be refused. Parts which have been used in any way or manner, including any installation or incorporation into a lift or hoist, shall NOT be eligible for return whether or not an RGA has been assigned.
10. **RESTOCK CHARGE.** Returns are subject to up to twenty-five (25%) restocking charge. Refusals are subject to the same restocking charge plus the cost of outbound and return freight charges and/or fees incurred by the Company due to shipment refusal.
11. **PRICES AND PAYMENTS.** All prices are subject to change without notice. All prices are F.O.B. shipping point. The Company standard terms are net 30 days, C.O.D. company check, C.O.D. cash, VISA, MasterCard, Discover or American Express. However, if in the judgment of the Company, the financial condition of the Purchaser at any time does not justify shipment according to standard terms of payment, the Company may require full or partial payment in advance.
12. **INTERPRETATION.** This sales order is intended by the parties as a complete and exclusive statement of the terms of their agreement. It supersedes all prior agreements, written or oral. No course of prior dealings between the parties and no usage of the trade shall be relevant to supplement or explain any terms used in this sales order. Acceptance or acquiescence in a course of performance rendered under this purchase order shall not be relevant to determine the meaning of this sales order even though the accepting or acquiescing party has knowledge of the nature of the performance and opportunity for objection. Whenever a term defined by the UCC is used in this sales order the definition contained in the UCC shall control.
13. **MODIFICATION.** This sales order can be modified or rescinded only by a writing signed by both parties.
14. **WAIVER.** No claim or right arising out of a breach of this sales order can be discharged in whole or in part by a waiver or renunciation of the claim or right unless such waiver or renunciation is supported by consideration and is in writing signed by the aggrieved party.
15. **ASSIGNMENT.** No right or interest in this sales order shall be assigned by either party without the written consent of the other and no delegation of any obligation owed, or of the performance of any obligation by either the Company or Purchaser shall be made without the written consent of the other party. Any attempted assignment or delegation not made in conformity with this paragraph shall be wholly void and totally ineffective for all purposes.
16. **TIME TO PERFORM AND BRING ACTION.** Time is of the essence of this sales order. Any action for breach of this sales order shall be commenced within two (2) years after the cause of action has accrued. Any party who loses any litigation shall reimburse the other party for costs including reasonable attorneys fees. The exclusive jurisdiction for any legal action shall be the Circuit Court of DeKalb County, Illinois.
17. **APPLICABLE LAW.** This sales order shall be governed by the UCC of Illinois as effective and in force on the date of this sales order.

Offering the Best in Automotive Lift Repair Parts and More!

Auto Lift Cables • Auto Lift Parts • Brake Lathe Repair Parts
Compressed Air Repair Parts • Exhaust System Products • Fluid Delivery Repair Parts
Lubrication Equipment Repair Parts • Repair Parts for Gasboy Consumer Series
Service Station Pump and Tank Products • SVI Misc Auto Lift Products and Catalogs
Tire Changer Repair Parts • Vehicle Lifting Systems • Wheel Balancer Accessories

Serving the Industry Since 1977 • Same-Day Shipping



SVI International, Inc.
(800) 321-8173 • fax: (800) 899-1784
155 Harvestore Drive • DeKalb, IL 60115
www.sviinternational.com

BALTIMORE • CHICAGO • LOS ANGELES