

# Automotive Lift

R E P A I R P A R T S



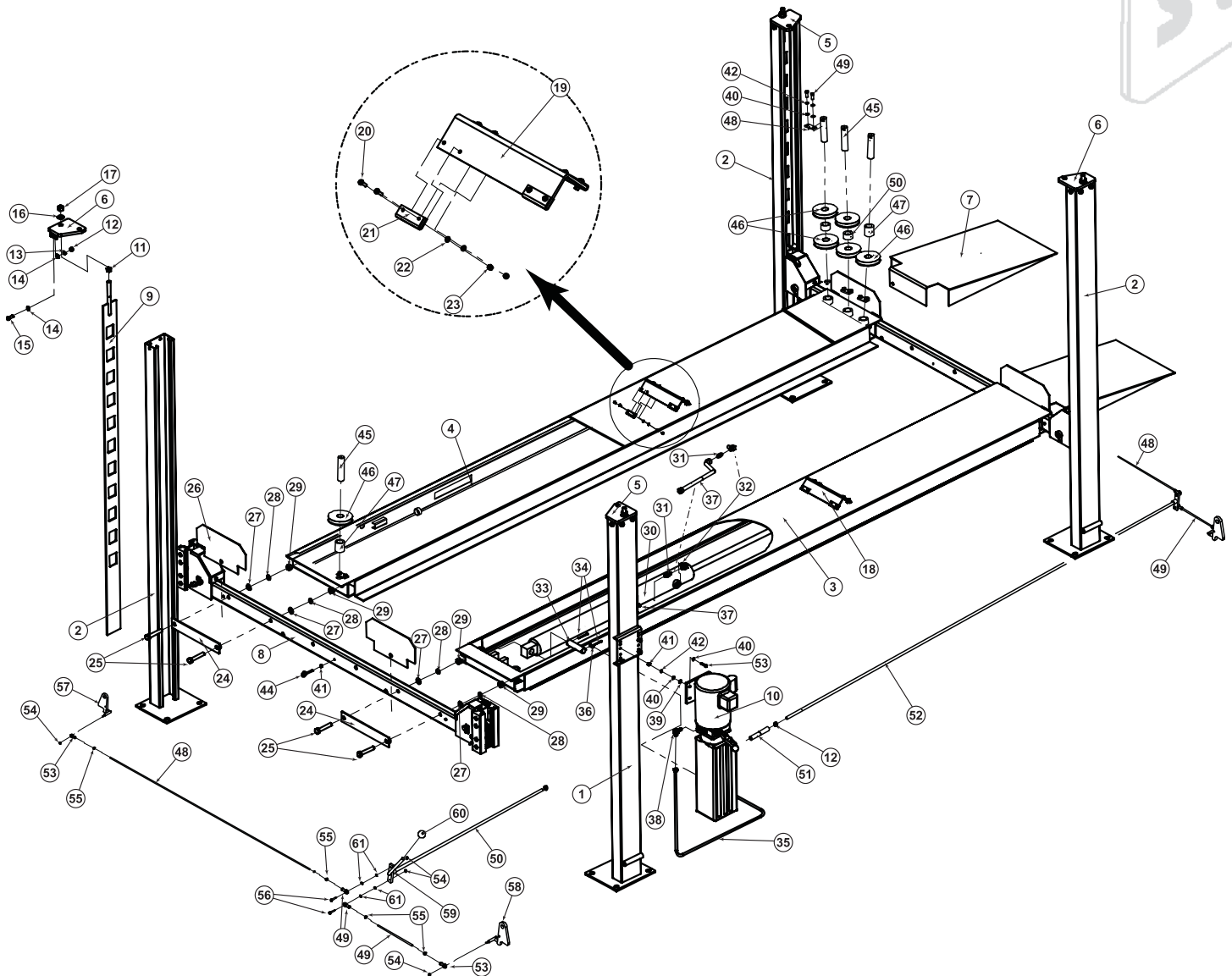
**SVI International, Inc.**  
**(800) 321-8173 • fax: (800) 899-1784**  
155 Harvestore Drive • DeKalb, IL 60115  
**[www.sviinternational.com](http://www.sviinternational.com)**

**BALTIMORE • CHICAGO • LOS ANGELES**

Repair Parts for: **Direct Lift**

Repair Parts for:  
**Direct Lift**  
LRC7270

# for lift model PP8 Plus



Item	SVI part #	OEM #	Req	Description
1	BH-7273-001	PP8P-1000	1	Column Weldment A
2	BH-7273-002	PP8P-1100	3	Column Weldment B
3	BH-7273-003	DP8-3100	1	Runway Weldment, Driving Side
4	BH-7273-004	DP8-3200	1	Runway Weldment, Slave Side
5	BH-7273-005	DP8-1200	2	Column Top Caps
6	BH-7273-006	DP8-1200DC	2	Column Top Caps
7	BH-7273-007	DP8-5000	2	Ramp Weldment
8	BH-7273-008	DP8-2100	2	Crossbeam Weldment
9	BH-7273-009	DP8-1310	4	Latchbar Weldment
10	BH-7006-01	P/U	1	Power Unit
11	call for details	NH4D-3303	4	Nut
12	call for details	B30-12	18	Nut M12
13	call for details	B40-12	16	Lock Washer Ø12
14	call for details	B41-12	32	Flat Washer Ø12
15	call for details	B10-12x30	16	Hex Head Bolt M12x30
16	call for details	B41-20	8	Flat Washer Ø20
17	call for details	B30-20	4	Nut M20
18	BH-7273-010	H4P-R3100	2	Wheel Chock
19	BH-7273-011	H4P-R3101	2	Angle Iron

Item	SVI part #	OEM #	Req	Description
20	call for details	B23-5x16	8	Discal Head Screw M5x16
21	BH-7273-012	H4P-R3102	8	Rubber
22	call for details	B41-5	20	Flat Washer Ø5
23	call for details	B30-5	8	Nut M5
24	BH-7273-013	H4D-5000	4	Link Frame
25	call for details	B10-18x100	8	Hex Head Bolt M18x100
26	BH-7273-014	H4D-5001	4	Car Stop Plates
27	call for details	B41-18	8	Flat Washer Ø18
28	call for details	B40-18	8	Lock Washer Ø18
29	call for details	B30-18	8	Nut M18
30	BH-7273-015	DP8-9100G	1	Hydraulic Cylinder
31	BH-7273-016	DP8-9200G	1	Throttle
32	BH-7273-017	PP7-9802-2	1	Pipe Fitting
33	BH-7273-018	DP8-3003	1	Hydraulic Cylinder Pin
34	call for details	B52-5x60	2	Cotter Pin Ø5x60
35	BH-7273-019	1WB-05	1	Hydraulic Hose
36	BH-7273-021	H4D-Y003	1	90° Fitting
37	BH-7273-020	1WB-15	1	Hydraulic Hose

Continues on Following Page

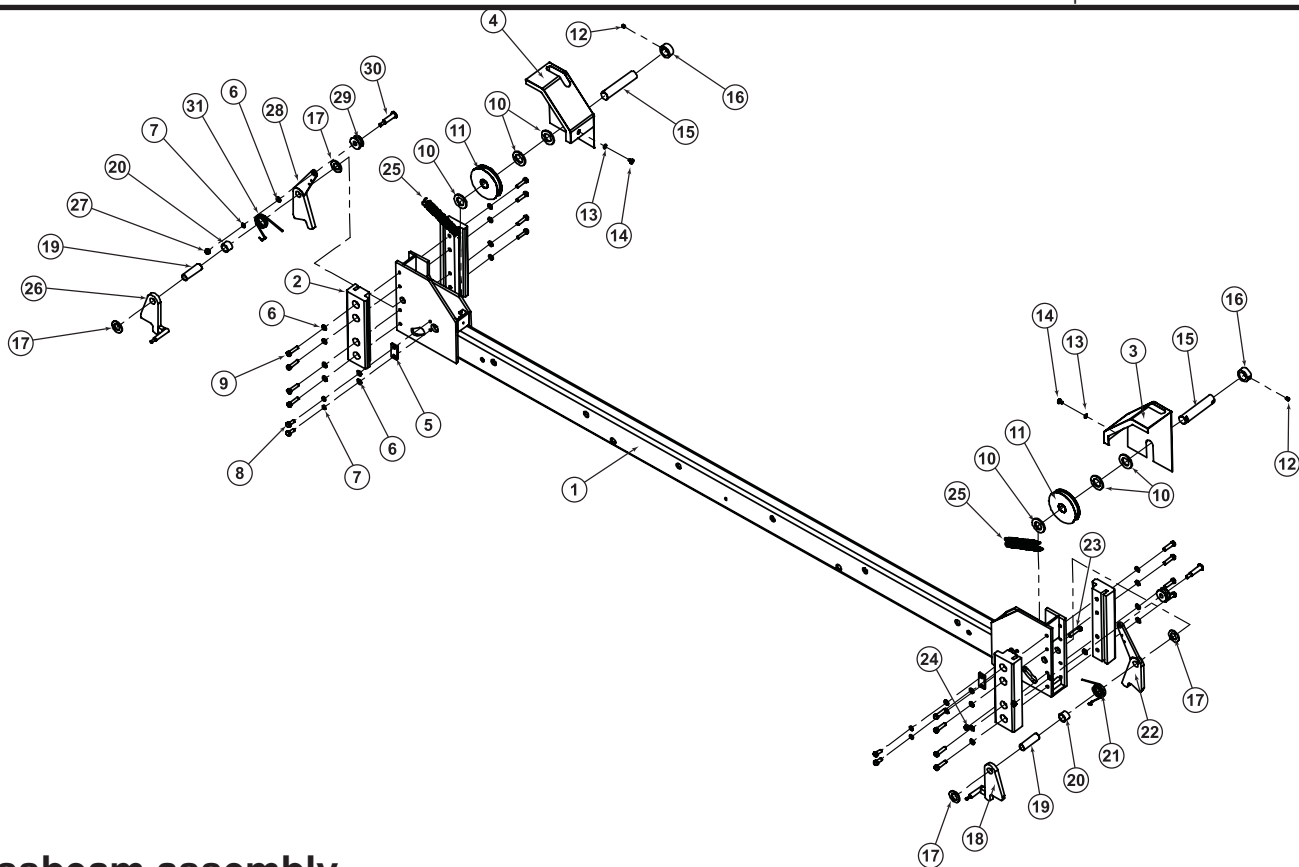


The next time you relocate a lift use SVI Ultrawedge Full Thread Wedge Anchors. Ask for BH-7075-03L



## for lift model PP8 Plus

Item	SVI part #	OEM #	Req	Description
38	BH-7270-024	SW-002(30400-9053YZ)	1	90° Fitting
39	call for details	30400-1999	4	Washer
40	call for details	B41-8	62	Flat Washer Ø8
41	call for details	B30-8	10	Nut M8
42	call for details	B40-8	26	Lock Washer Ø8
43	call for details	B10-8x35	36	Hex Head Bolt M8x35
44	call for details	H4D-7001-07	2	Bolts M8x50
45	BH-7273-022	DP8-3006	5	Cable Pulley Shaft
46	BH-7273-023	DP8-2012	11	Cable Pulley
47	BH-7273-024	DP8-3008	3	Spacer
48	BH-7270-090	NH4D-2005	9	Lock Plate
49	call for details	B10-8x20	18	Hex Head Bolt M8x20
50	BH-7273-025	DP8-3107	2	Spacer



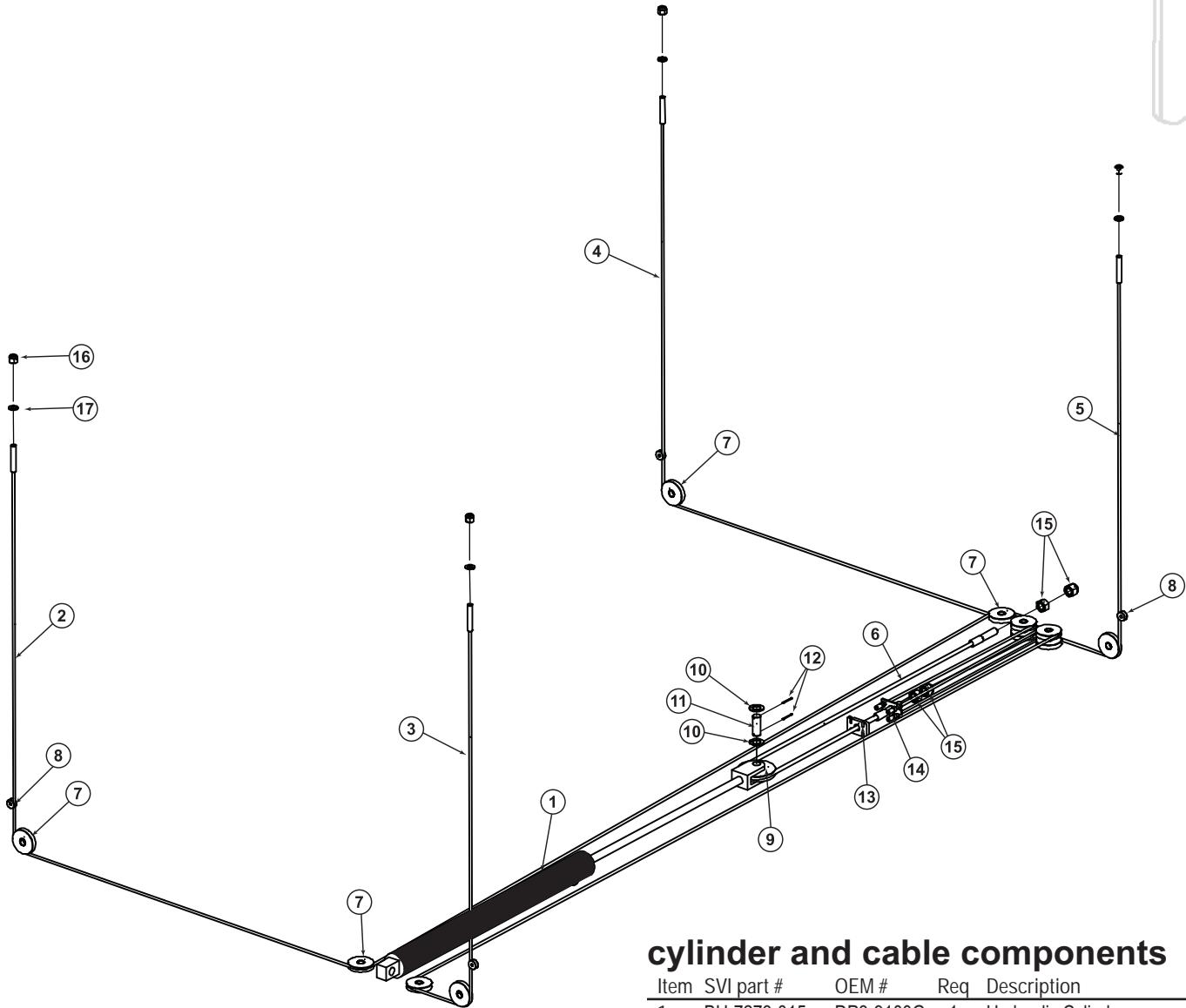
### crossbeam assembly

Item	SVI part #	OEM #	Req	Description
1	BH-7273-008	DP8-2100	2	Crossbeam Weldment
2	BH-7273-026	DP8-2003	8	Slider
3	BH-7273-027	DP8-2002	2	Pulley Cover
4	BH-7273-028	DP8-2001	2	Pulley Cover
5	BH-7270-090	NH4D-2005	9	Lock Plate
6	call for details	B41-8	62	Flat Washer Ø8
7	call for details	B40-8	26	Lock Washer Ø8
8	call for details	B10-8x20	18	Hex Head Bolt M8x20
9	call for details	B10-8x35	36	Hex Head Bolt M8x35
10	call for details	DP8-2014	12	Flat Washer Ø24C Level
11	BH-7273-023	DP8-2012	11	Cable Pulley
12	call for details	B22-8x10	4	Set Screw M8x10
13	call for details	B41-6	12	Flat Washer Ø6
14	call for details	B23-6x10	4	Disical Head Screw M6x10
15	BH-7273-029	DP8-2006	4	Cable Pulley Pin
16	BH-7273-030	DP8-2007	4	Bushings

Item	SVI part #	OEM #	Req	Description
17	call for details	DP8-2013	8	Flat Washer Ø20
18	BH-7273-031	DP8-2011DC	2	Work Lock
19	BH-7273-038	DP8-2005	4	Lock Shaft
20	BH-7273-033	DP8-2008	4	Spacer
21	BH-7273-034	NH4D-1004	2	Spring
22	BH-7273-035	DP8-2010DC	2	Safety Lock
23	call for details	B10-8x40	4	Hex Head Bolt M8x40
24	call for details	B33-8	4	Nylon Lock Nut M8
25	BH-7273-037	NH4D-1011	8	Spring
26	BH-7273-032	DP8-2011	2	Work Lock
27	call for details	B30-8	10	Nut M8
28	BH-7273-036	DP8-2010	2	Safety Lock
29	BH-7273-039	DP8-2004	4	Small Cable Pulley
30	BH-7273-041	DP8-2009	4	Shaft
31	BH-7273-040	NH4D-1004DC	2	Spring



# for lift model PP8 Plus



## cylinder and cable components

Item	SVI part #	OEM #	Req	Description
1	BH-7273-015	DP8-9100G	1	Hydraulic Cylinder
2	BH-7273-043	DP8-3012	1	Cable
3	BH-7273-044	DP8-3011	1	Cable
4	BH-7273-045	DP8-3010	1	Cable
5	BH-7273-046	DP8-3009	1	Cable
6	BH-7273-042	DP8-3013	1	Cable
7	BH-7273-023	DP8-2012	11	Cable Pulley
8	BH-7273-039	DP8-2004	4	Small Cable Pulley
9	BH-7273-047	DP8-3005	1	Cable Pulley
10	call for details	DP8-3015	2	Flat Washer Ø30C Level
11	BH-7273-048	DP8-3004	1	Cable Pulley Pin
12	call for details	B52-3x60	2	Cotter Pin Ø3x60
13	BH-7273-049	DP8-3001	1	Cable Lock Plate
14	BH-7273-050	DP8-3002	1	Cable Lock Plate
15	call for details	B30-27x2	4	Nut M27x2
16	call for details	B33-3/4"-16	4	Nylon Lock Nut 3/4"-16
17	call for details	B41-20	8	Flat Washer Ø20

**TERMS AND CONDITIONS OF THE  
SALES ORDER  
FOR SVI INTERNATIONAL, INC.**

1. **GENERAL.** The terms and conditions of sales order outlined herein shall apply to the sale by SVI INTERNATIONAL, INC. (hereinafter referred to as "Company") of the items described on the facing page (hereinafter referred to as "Merchandise") to Purchaser.
2. **DELIVERY.** Delivery shall be deemed to be complete when the Merchandise has been shipped F.O.B. Company's plants in DeKalb, Illinois, Duarte, California; and Baltimore, Maryland ("Company's plants"). Shipments are subject to delays from causes or contingencies beyond the reasonable control of the Company. When otherwise not specified, shipments will be made in standard containers via carrier which, in the judgment of the Company, will result in the most practical method. Title and right of possession will pass to the Purchaser upon receipt by the carrier at the shipping point. If a customer of the Company should specify a specific carrier's method of shipment (i.e. UPS Next Day Air) and that carrier does not perform to the customer's expectations, freight credit to a customer's account will not be issued unless the Company can first obtain a credit.
3. **RISK OF LOSS.** Identification of the Merchandise under Uniform Commercial Code (hereinafter referred to as "UCC") Section 2-501 shall take place at the moment of shipment F.O.B. Company's plants. Risk of loss shall pass to the Purchaser when the Merchandise is shipped from the Company's plants.
4. **TITLE.** Title to the merchandise shall transfer to the Purchaser when the Merchandise is shipped from the Company's plants.
5. **WARRANTIES.** The Company guarantees its products to be free from defects in workmanship and raw materials for a period of one year from date of purchase. THIS WARRANTY IS EXPRESSLY IN LIEU OF ANY AND ALL WARRANTIES EXPRESS OR IMPLIED. COMPANY DOES NOT WARRANT THE MERCHANDISE IS MERCHANTABLE OR FIT FOR ANY PARTICULAR PURPOSE. Company's liability for breach of the terms of this Agreement, including any warranty, is limited to either refund of the invoice price of the Merchandise or at Company's option, replacement of the Merchandise free of charge, including transportation charges but not including the cost of labor. Purchaser has not relied on any statement or upon the conduct of Company with respect to the prospective use of the merchandise. Company shall not be liable for and Purchaser waives any and all claims for any loss or damage, directly or indirectly, arising from the use of the Merchandise and for punitive, incidental or consequential damages, including, but not limited to, damages to property, for loss of use, loss of time, loss of profit or loss of income. The Company does not authorize the sale of our products under any other warranty, expressed or implied.
6. **SETOFF.** All claims for money due or to become due from the Company shall be subject to deduction by the Company for any setoff or counterclaim arising out of this or any other claims of the Company or its affiliated companies, whether such setoff or counterclaim arose before or after any assignment by Purchaser.
7. **INDEMNIFICATION.** Purchaser agrees to indemnify the Company and hold it harmless from and against all claims, liability, loss, damage or expense, including reasonable counsel fees, arising from or by reason of any modifications or alterations made by Purchaser. If a customer of the Company modifies or alters any part, in any manner whatsoever, or uses any part in departure from recommended performance specifications, said customer agrees to indemnify and hold the Company harmless from and against all liability and expenses based on damage to property or injury to or death of any person arising out of or attributable to such modified or altered part. Further, the Company will not accept any such modified or altered part for credit to a customer's account.
8. **FREIGHT POLICY.** Freight charges on individual orders less than \$3,000 in net value are prepaid and added to invoice or collect F.O.B. shipping point. Freight charges (standard ground service and continental US only) on individual orders more than \$3,000 net value are paid by the Company F.O.B. shipping point. Note: customers with C.O.D. terms are responsible for all carrier C.O.D. fees regardless of order net value.
9. **RETURN POLICY.** To return parts for credit or inspection Purchaser must first contact the Company to obtain a Return Goods Authorization number (RGA#). Once Purchaser has obtained an RGA# the parts can be returned freight prepaid only. The RGA# must be on the outside of the container in a highly visible location. All parts must be returned freight prepaid and the shipment must include a letter of explanation giving the specific reason for return including details as to the conditions under which the part or parts operated. Note: parts returned without an RGA#, freight collect or without written explanation may be refused. Parts which have been used in any way or manner, including any installation or incorporation into a lift or hoist, shall NOT be eligible for return whether or not an RGA has been assigned.
10. **RESTOCK CHARGE.** Returns are subject to up to twenty-five (25%) restocking charge. Refusals are subject to the same restocking charge plus the cost of outbound and return freight charges and/or fees incurred by the Company due to shipment refusal.
11. **PRICES AND PAYMENTS.** All prices are subject to change without notice. All prices are F.O.B. shipping point. The Company standard terms are net 30 days, C.O.D. company check, C.O.D. cash, VISA, MasterCard, Discover or American Express. However, if in the judgment of the Company, the financial condition of the Purchaser at any time does not justify shipment according to standard terms of payment, the Company may require full or partial payment in advance.
12. **INTERPRETATION.** This sales order is intended by the parties as a complete and exclusive statement of the terms of their agreement. It supersedes all prior agreements, written or oral. No course of prior dealings between the parties and no usage of the trade shall be relevant to supplement or explain any terms used in this sales order. Acceptance or acquiescence in a course of performance rendered under this purchase order shall not be relevant to determine the meaning of this sales order even though the accepting or acquiescing party has knowledge of the nature of the performance and opportunity for objection. Whenever a term defined by the UCC is used in this sales order the definition contained in the UCC shall control.
13. **MODIFICATION.** This sales order can be modified or rescinded only by a writing signed by both parties.
14. **WAIVER.** No claim or right arising out of a breach of this sales order can be discharged in whole or in part by a waiver or renunciation of the claim or right unless such waiver or renunciation is supported by consideration and is in writing signed by the aggrieved party.
15. **ASSIGNMENT.** No right or interest in this sales order shall be assigned by either party without the written consent of the other and no delegation of any obligation owed, or of the performance of any obligation by either the Company or Purchaser shall be made without the written consent of the other party. Any attempted assignment or delegation not made in conformity with this paragraph shall be wholly void and totally ineffective for all purposes.
16. **TIME TO PERFORM AND BRING ACTION.** Time is of the essence of this sales order. Any action for breach of this sales order shall be commenced within two (2) years after the cause of action has accrued. Any party who loses any litigation shall reimburse the other party for costs including reasonable attorneys fees. The exclusive jurisdiction for any legal action shall be the Circuit Court of DeKalb County, Illinois.
17. **APPLICABLE LAW.** This sales order shall be governed by the UCC of Illinois as effective and in force on the date of this sales order.

***Offering the Best in Automotive Lift Repair Parts and More!***

---

Auto Lift Cables • Auto Lift Parts • Brake Lathe Repair Parts

Compressed Air Repair Parts • Exhaust System Products • Fluid Delivery Repair Parts

Lubrication Equipment Repair Parts • Repair Parts for Gasboy Consumer Series

Service Station Pump and Tank Products • SVI Misc Auto Lift Products and Catalogs

Tire Changer Repair Parts • Vehicle Lifting Systems • Wheel Balancer Accessories

---

***Serving the Industry Since 1977 • Same-Day Shipping***



**SVI International, Inc.**

**(800) 321-8173 • fax: (800) 899-1784**

155 Harvestore Drive • DeKalb, IL 60115

**[www.sviinternational.com](http://www.sviinternational.com)**

**BALTIMORE • CHICAGO • LOS ANGELES**