

Automotive Lift

R E P A I R P A R T S



SVI International, Inc.
(800) 321-8173 • fax: (800) 899-1784
155 Harvestore Drive • DeKalb, IL 60115
www.sviinternational.com

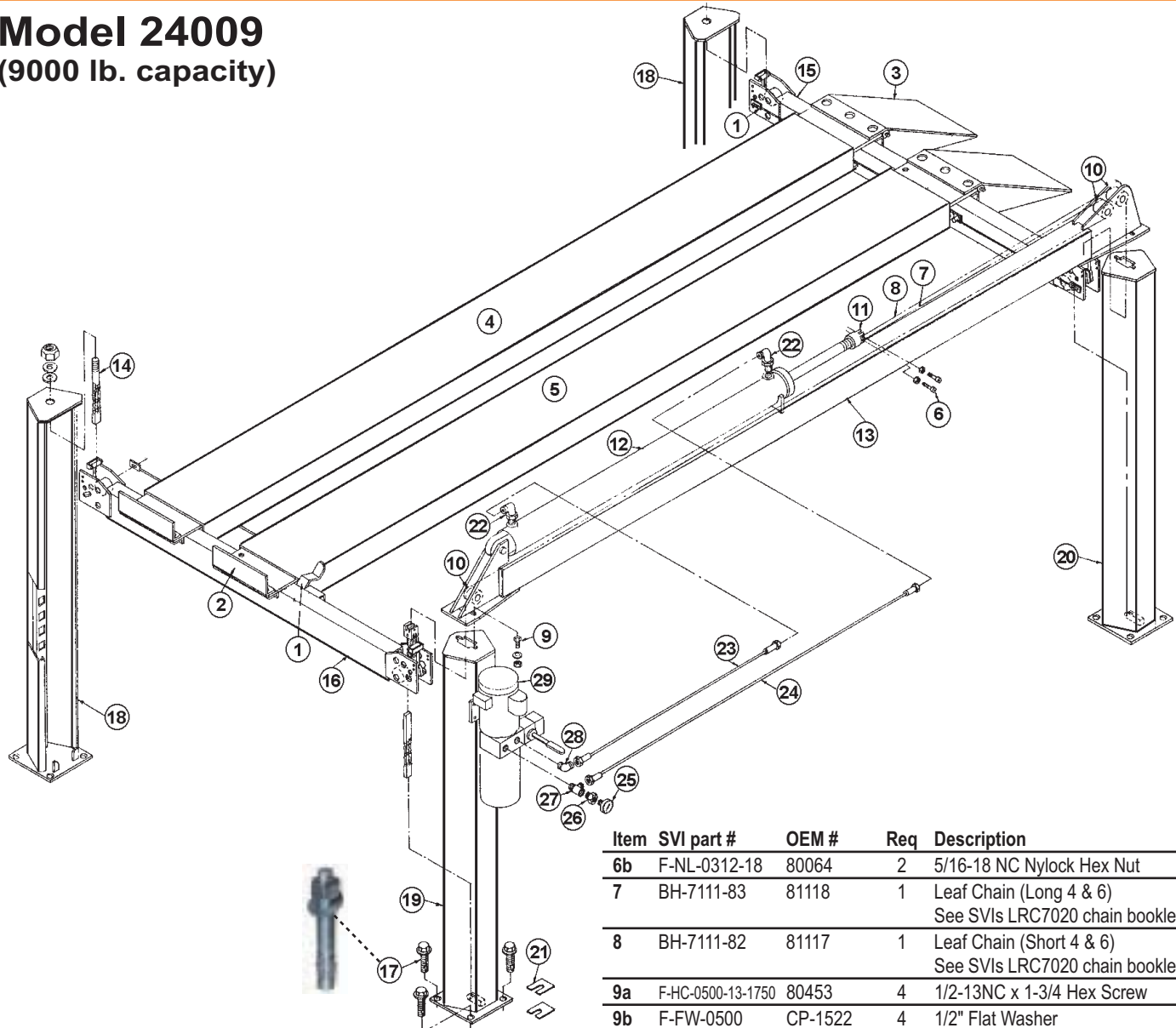
BALTIMORE • CHICAGO • LOS ANGELES

Repair Parts for: Challenger/VBM

Repair Parts for:
**Challenger/
VBM**
LRC7225H



Model 24009 (9000 lb. capacity)



Item	SVI part #	OEM #	Req	Description
2	BH-7100-52	80629	2	Track Stop Angle
2a	BH-7100-53	80630	2	Angle Retainer
2b	F-HC-0500-13-1750	80453	6	1/2-13NC x 1-3/4 Hex Screw
2c	F-LW-0500	CP-66	6	1/2" Lockwasher
2d	F-HN-0500-13	CP-65	6	1/2-13 NC Hex Nut
3	BH-7100-54	81340	2	Ramp Assembly
3a	BH-7100-55	80631	2	Ramp Structure
3b	BH-7100-56	80069	2	Rod-Ramp to Pivot
3c	F-CP-125-1000	CP-3025	4	1/8 x 1 Cotter Pin
3d	BH-7100-57	80627	2	Ramp Pivot Structure
3e	F-HC-0500-13-1750	80453	6	1/2-13 NC x 1-3/4 Hex Screw
3f	F-LW-0500	CP-66	6	1/2" Lock Washer
3g	F-HN-0500-13	CP-65	6	1/2-13NC Hex Nut
4	BH-7100-58	80102	1	Track Structure RH
5	BH-7100-59	81111	1	Track Structure LH
5a	F-HC-0500-13-1750	80453	2	1/2-13 NC x 1-3/4 Hex Screw
5b	F-LW-0500	CP-66	2	1/2" Lock Washer
5c	F-HN-0500-13	CP-65	2	1/2"-13 NC Hex Nut
6a	F-SC0312-18-2000	80756	2	5/16-18 NC Socket Head

Item	SVI part #	OEM #	Req	Description
6b	F-NL-0312-18	80064	2	5/16-18 NC Nylock Hex Nut
7	BH-7111-83	81118	1	Leaf Chain (Long 4 & 6) See SVIs LRC7020 chain booklet
8	BH-7111-82	81117	1	Leaf Chain (Short 4 & 6) See SVIs LRC7020 chain booklet
9a	F-HC-0500-13-1750	80453	4	1/2-13NC x 1-3/4 Hex Screw
9b	F-FW-0500	CP-1522	4	1/2" Flat Washer
9c	F-HN-0500-13	17142	4	1/2-13NC Hex Nut
10	BH-7102-40	80028	3	Roller
10a	BH-7102-22	80039	3	Bolt 3/4-16 NF x 3-1/2
10b	BH-7102-00	80034	3	Nylock Nut
11	BH-7101-25	80079	1	Chain Connector
12*	BH-7100-68	80078	1	Hydraulic Cylinder
12a	BH-7100-74	80143	1	Seal Kit
12b	BH-7100-94	80027	1	Pin
12c	F-RP-250-1500	CP-4660	2	1/4 x 1-1/2 Roll Pin
13	BH-7100-95	80001	1	Upper Tube Structure
14	BH-7100-96	80152	2	Cross Chain Assembly
14a	call for details	80029	1	Chain 3 & 4 See SVIs LRC7020 chain booklet
14b	BH-7028-01	80139	2	Connecting Link
14c	BH-7101-49	80023	1	Bolt Retainer
14d	BH-7100-97	CP-733	12	Flat Washer (Spacer)
14e	BH-7101-52	80035	2	Lock Nut
14f	BH-7100-98	80063	2	Socket Head Chain End
15	BH-7100-99	81119	1	Rear Cross Tube Assembly
16	BH-7101-56	81120	1	Front Cross Tube Assembly

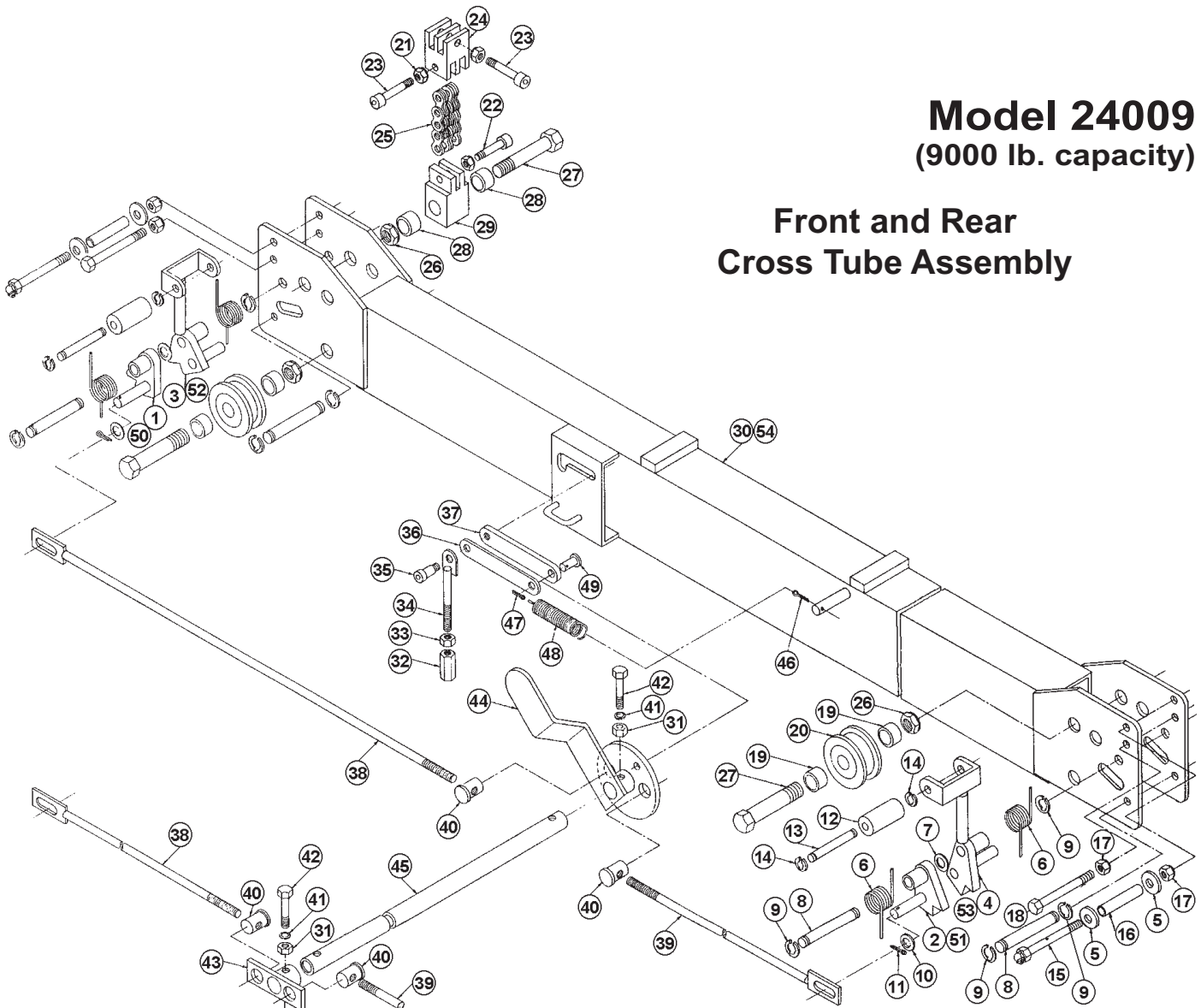


Model 24009
(9000 lb. capacity)

Item	SVI part #	OEM #	Req	Description
17	BH-7075-03	80062	16	Anchor Bolt 3/4
18	BH-7110-23	81053	2	Passenger Column
19	BH-7101-57	81052	1	Driver Column with Power Unit Mount
20	BH-7101-58	81051	1	Driver Column
21	call for details	80589	1	Shim Kit - See BH-7512-92
22	BH-7101-59	80131	2	90° Male Elbow
23	BH-7100-93	80126	1	Short Hose 1/2 ID

Item	SVI part #	OEM #	Req	Description
24	BH-7101-60	80125	1	Long Hose 1/2 ID
25	BH-7101-61	80124	1	Dry Pressure Gauge
26	BH-7101-62	CP-2878	1	Bushing 3/8 NPT x 1/4 NPT
27	BH-7101-63	80132	1	Male Tee 3/8 NPT x 3/4 JIC
28	BH-7101-64	80133	1	90° Elbow
29	BH-7006-01	80472	1	2HP 1PH 3.5 Gal. Power Unit
	BH-7006-03		1	2HP 3PH 3.5 Gal. Power Unit

* Call with serial number to order seal kit.



Model 24009
(9000 lb. capacity)

Front and Rear
Cross Tube Assembly

P
a
g
e

Continues on Following Page 57



Model 24009 (9000 lb. capacity)

Front Cross Tube Assembly

Item	SVI part #	OEM #	Req	Description
1	BH-7110-11	81068	1	Latch Catch LH
2	BH-7110-12	81069	1	Latch Catch RH
3	BH-7110-17	81074	1	Slack Cable Latch LH
4	BH-7110-24	81075	1	Slack Cable Latch RH
5	BH-7102-11	81206	4	Washer
6	BH-7110-13	81072	4	Safety Latch Spring
7	BH-7101-65	CP-1597	2	Flat Washer 13 Ga. 5/8"
8	BH-7100-89	81073	4	Shaft
9	BH-7101-66	81250	8	Retaining Ring 5/8
10	BH-7101-67	CP-8515	2	Flat Washer 16 Ga. 1/2"
11	F-CP-125-0750	CP-2563	2	Cotter Pin 1/8 x 3/4
12	BH-7102-38	81079	2	Roller
13	BH-7102-39	81080	2	Shaft
14	BH-7100-86	80683	4	Retaining Ring
15	BH-7110-18	81479	2	4" Greaseable Bolt

Item	SVI part #	OEM #	Req	Description
16	BH-7102-31	81176	2	Tube Spacer
17	F-NL-0375-16	81082	4	Nylock Nut
18	F-HC-0375-16-4000	81081	2	HHCS 3/8-16x4"
19	BH-7102-42	81067	4	Spacer
20	BH-7102-40	80028	2	Roller
21	F-NL-0750-16	80064	3	Nylock Nut
22	F-SC-0312-18-1750	81185	1	5/16-18NC x 1-3/4 Socket Head
23	F-SC-0312-18-2000	80756	2	5/16-18 NC x 2 Socket Head
24	BH-7101-45	81086	1	Upper Chain Retainer
25	BH-7101-68	81085	1	Chain Extension
26	F-NL-0750-16	80034	3	Nylock Nut
27	BH-7102-41	80033	3	Pin
28	BH-7101-69	81084	2	Spacer
29	BH-7101-70	81083	1	Lower Chain Retainer
30	BH-7101-71	81122	1	Front Cross Tube Structure

Rear Cross Tube Assembly

Item	SVI part #	OEM #	Req	Description
5	BH-7102-11	81206	4	Washer
6	BH-7110-13	81072	4	Safety Latch Spring
7	BH-7101-65	CP-1597	2	Flat Washer 13 Ga. 5/8"
8	BH-7100-89	81073	4	Shaft
9	BH-7101-66	81250	8	Retaining Ring 5/8
10	BH-7101-67	CP-8515	2	Flat Washer 16 Ga. 1/2"
11	F-CP-125-0750	CP-2563	2	Cotter Pin 1/8 x 3/4
12	BH-7102-38	81079	2	Roller
13	BH-7102-39	81080	2	Shaft
14	BH-7100-86	80683	4	Retaining Ring
15	BH-7110-18	81479	2	4" Greaseable Bolt
16	BH-7102-31	81176	2	Tube Spacer
17	F-NL-0375-16	81082	4	Nylock Nut
18	F-HC-0375-16-4000	81081	2	HHCS 3/8-16x4"
19	BH-7102-42	81067	4	Spacer
20	BH-7102-40	80028	2	Roller
21	F-NL-0312-18	80064	3	Nylock Hex Nut 5/16-18 NC
22	F-SC-0312-18-1750	81185	1	5/16-18NC x 1-3/4 Socket Head
23	F-SC-0312-18-2000	80756	2	5/16-18 NC x 2 Socket Head
24	BH-7101-45	81086	1	Upper Chain Retainer
25	BH-7101-68	81085	1	Chain Extension
26	F-NL-0750-16	80034	3	Nylock Nut
27	BH-7102-41	80033	3	Pin
28	BH-7101-69	81084	2	Spacer
29	BH-7101-70	81083	1	Lower Chain Retainer

Item	SVI part #	OEM #	Req	Description
31	F-HN-0312-18	CP-4401	2	5/16-18 NC Hex Nut
32	BH-7105-09	81253	1	3/8-16 NC Nut
33	F-HN-0375-16	CP-668	1	3/8-16 NC Hex Nut
34	BH-7101-23	81251	1	Trip Rod
35	BH-7101-21	81107	1	Bolt 5/16 NC
36	BH-7101-22	81101	1	Bar
37	BH-7101-20	81102	1	Bar Tapped
38	BH-7110-21A	81099	2	Short Adjusting Rod
39	BH-7110-22	81113	2	Long Adjusting Rod
40	BH-7110-20	81095	4	Pivot Pin
41	F-LW-0312	CP-1677	2	5/16 Lock Washer
42	F-HC-0312-18-1500	81483	2	5/16-18 NC x 1-1/2 Hex Screw
43	BH-7101-72	81092	1	Trip Release Pivot Structure
44	BH-7101-54	81088	1	Trip Release Handle Structure
45	BH-7101-74	81112	1	Tube Structure Pivot
46	F-RP-125-1000	CP-3025	1	1/8 x 1 Cotter Pin
47	F-CP-125-075	CP-2563	1	1/8 x 3/4 Cotter Pin
48	BH-7101-75	CP-1587	1	Spring
49	BH-7101-19	81103	1	Pin
50	BH-7110-12	81069	1	Latch Catch RH
51	BH-7110-11	81068	1	Latch Catch LH
52	BH-7110-24	81075	1	Slack Cable Latch RH
53	BH-7110-17	81074	1	Slack Cable Latch LH
54	BH-7101-76	81121	1	Rear Cross Tube Structure

P
a
g
e

**TERMS AND CONDITIONS OF THE
SALES ORDER
FOR SVI INTERNATIONAL, INC.**

1. **GENERAL.** The terms and conditions of sales order outlined herein shall apply to the sale by SVI INTERNATIONAL, INC. (hereinafter referred to as "Company") of the items described on the facing page (hereinafter referred to as "Merchandise") to Purchaser.
2. **DELIVERY.** Delivery shall be deemed to be complete when the Merchandise has been shipped F.O.B. Company's plants in DeKalb, Illinois, Duarte, California; and Baltimore, Maryland ("Company's plants"). Shipments are subject to delays from causes or contingencies beyond the reasonable control of the Company. When otherwise not specified, shipments will be made in standard containers via carrier which, in the judgment of the Company, will result in the most practical method. Title and right of possession will pass to the Purchaser upon receipt by the carrier at the shipping point. If a customer of the Company should specify a specific carrier's method of shipment (i.e. UPS Next Day Air) and that carrier does not perform to the customer's expectations, freight credit to a customer's account will not be issued unless the Company can first obtain a credit.
3. **RISK OF LOSS.** Identification of the Merchandise under Uniform Commercial Code (hereinafter referred to as "UCC") Section 2-501 shall take place at the moment of shipment F.O.B. Company's plants. Risk of loss shall pass to the Purchaser when the Merchandise is shipped from the Company's plants.
4. **TITLE.** Title to the merchandise shall transfer to the Purchaser when the Merchandise is shipped from the Company's plants.
5. **WARRANTIES.** The Company guarantees its products to be free from defects in workmanship and raw materials for a period of one year from date of purchase. THIS WARRANTY IS EXPRESSLY IN LIEU OF ANY AND ALL WARRANTIES EXPRESS OR IMPLIED. COMPANY DOES NOT WARRANT THE MERCHANDISE IS MERCHANTABLE OR FIT FOR ANY PARTICULAR PURPOSE. Company's liability for breach of the terms of this Agreement, including any warranty, is limited to either refund of the invoice price of the Merchandise or at Company's option, replacement of the Merchandise free of charge, including transportation charges but not including the cost of labor. Purchaser has not relied on any statement or upon the conduct of Company with respect to the prospective use of the merchandise. Company shall not be liable for and Purchaser waives any and all claims for any loss or damage, directly or indirectly, arising from the use of the Merchandise and for punitive, incidental or consequential damages, including, but not limited to, damages to property, for loss of use, loss of time, loss of profit or loss of income. The Company does not authorize the sale of our products under any other warranty, expressed or implied.
6. **SETOFF.** All claims for money due or to become due from the Company shall be subject to deduction by the Company for any setoff or counterclaim arising out of this or any other claims of the Company or its affiliated companies, whether such setoff or counterclaim arose before or after any assignment by Purchaser.
7. **INDEMNIFICATION.** Purchaser agrees to indemnify the Company and hold it harmless from and against all claims, liability, loss, damage or expense, including reasonable counsel fees, arising from or by reason of any modifications or alterations made by Purchaser. If a customer of the Company modifies or alters any part, in any manner whatsoever, or uses any part in departure from recommended performance specifications, said customer agrees to indemnify and hold the Company harmless from and against all liability and expenses based on damage to property or injury to or death of any person arising out of or attributable to such modified or altered part. Further, the Company will not accept any such modified or altered part for credit to a customer's account.
8. **FREIGHT POLICY.** Freight charges on individual orders less than \$3,000 in net value are prepaid and added to invoice or collect F.O.B. shipping point. Freight charges (standard ground service and continental US only) on individual orders more than \$3,000 net value are paid by the Company F.O.B. shipping point. Note: customers with C.O.D. terms are responsible for all carrier C.O.D. fees regardless of order net value.
9. **RETURN POLICY.** To return parts for credit or inspection Purchaser must first contact the Company to obtain a Return Goods Authorization number (RGA#). Once Purchaser has obtained an RGA# the parts can be returned freight prepaid only. The RGA# must be on the outside of the container in a highly visible location. All parts must be returned freight prepaid and the shipment must include a letter of explanation giving the specific reason for return including details as to the conditions under which the part or parts operated. Note: parts returned without an RGA#, freight collect or without written explanation may be refused. Parts which have been used in any way or manner, including any installation or incorporation into a lift or hoist, shall NOT be eligible for return whether or not an RGA has been assigned.
10. **RESTOCK CHARGE.** Returns are subject to up to twenty-five (25%) restocking charge. Refusals are subject to the same restocking charge plus the cost of outbound and return freight charges and/or fees incurred by the Company due to shipment refusal.
11. **PRICES AND PAYMENTS.** All prices are subject to change without notice. All prices are F.O.B. shipping point. The Company standard terms are net 30 days, C.O.D. company check, C.O.D. cash, VISA, MasterCard, Discover or American Express. However, if in the judgment of the Company, the financial condition of the Purchaser at any time does not justify shipment according to standard terms of payment, the Company may require full or partial payment in advance.
12. **INTERPRETATION.** This sales order is intended by the parties as a complete and exclusive statement of the terms of their agreement. It supersedes all prior agreements, written or oral. No course of prior dealings between the parties and no usage of the trade shall be relevant to supplement or explain any terms used in this sales order. Acceptance or acquiescence in a course of performance rendered under this purchase order shall not be relevant to determine the meaning of this sales order even though the accepting or acquiescing party has knowledge of the nature of the performance and opportunity for objection. Whenever a term defined by the UCC is used in this sales order the definition contained in the UCC shall control.
13. **MODIFICATION.** This sales order can be modified or rescinded only by a writing signed by both parties.
14. **WAIVER.** No claim or right arising out of a breach of this sales order can be discharged in whole or in part by a waiver or renunciation of the claim or right unless such waiver or renunciation is supported by consideration and is in writing signed by the aggrieved party.
15. **ASSIGNMENT.** No right or interest in this sales order shall be assigned by either party without the written consent of the other and no delegation of any obligation owed, or of the performance of any obligation by either the Company or Purchaser shall be made without the written consent of the other party. Any attempted assignment or delegation not made in conformity with this paragraph shall be wholly void and totally ineffective for all purposes.
16. **TIME TO PERFORM AND BRING ACTION.** Time is of the essence of this sales order. Any action for breach of this sales order shall be commenced within two (2) years after the cause of action has accrued. Any party who loses any litigation shall reimburse the other party for costs including reasonable attorneys fees. The exclusive jurisdiction for any legal action shall be the Circuit Court of DeKalb County, Illinois.
17. **APPLICABLE LAW.** This sales order shall be governed by the UCC of Illinois as effective and in force on the date of this sales order.

Offering the Best in Automotive Lift Repair Parts and More!

Auto Lift Cables • Auto Lift Parts • Brake Lathe Repair Parts

Compressed Air Repair Parts • Exhaust System Products • Fluid Delivery Repair Parts

Lubrication Equipment Repair Parts • Repair Parts for Gasboy Consumer Series

Service Station Pump and Tank Products • SVI Misc Auto Lift Products and Catalogs

Tire Changer Repair Parts • Vehicle Lifting Systems • Wheel Balancer Accessories

Serving the Industry Since 1977 • Same-Day Shipping



SVI International, Inc.

(800) 321-8173 • fax: (800) 899-1784

155 Harvestore Drive • DeKalb, IL 60115

www.sviinternational.com

BALTIMORE • CHICAGO • LOS ANGELES