

# Automotive Lift

R E P A I R P A R T S



**SVI International, Inc.**  
**(800) 321-8173 • fax: (800) 899-1784**  
155 Harvestore Drive • DeKalb, IL 60115  
**[www.sviinternational.com](http://www.sviinternational.com)**

**BALTIMORE • CHICAGO • LOS ANGELES**

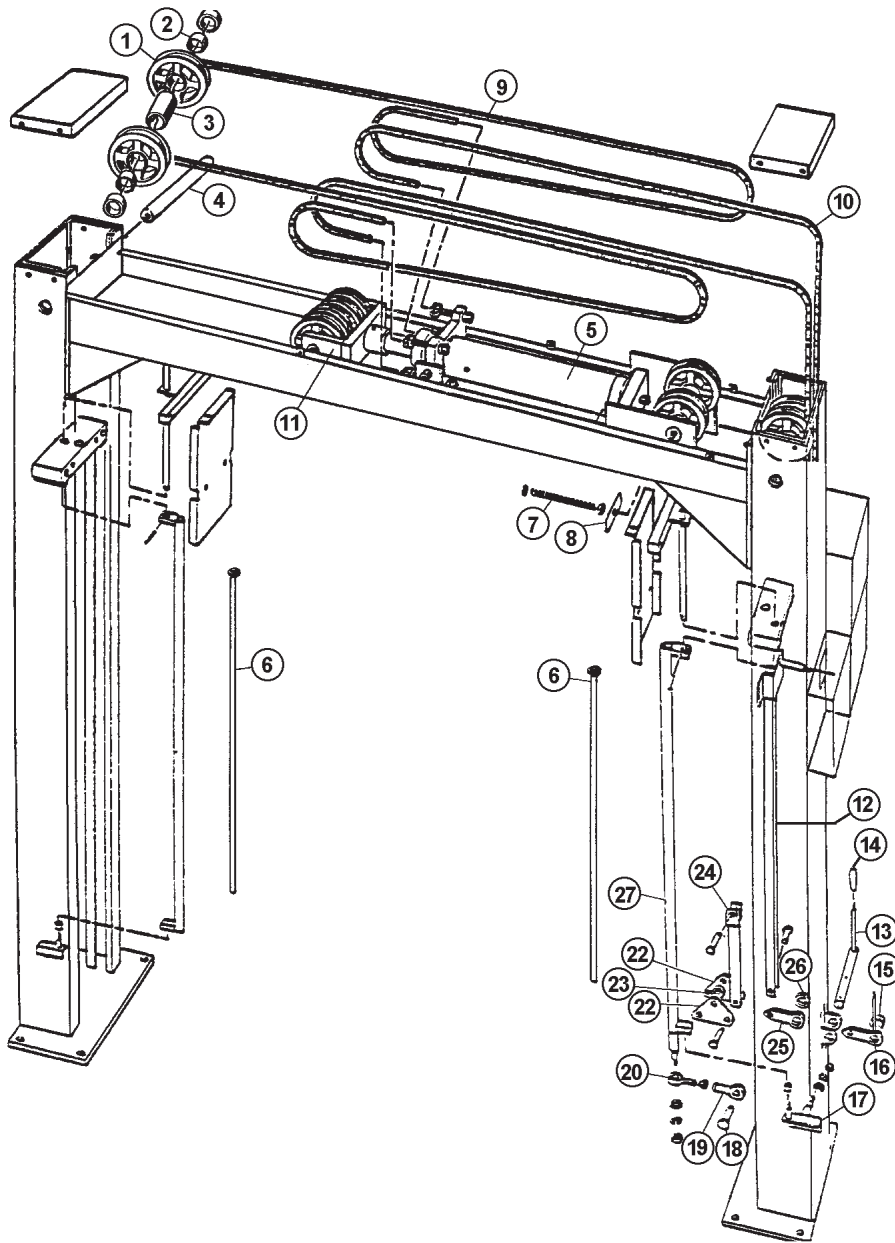
Repair Parts for: **Benwil**

Repair Parts for:  
**Benwil**  
LRC7200K



# TPO-7 and TPO-55 Lifts

## Controls, Chain Assemblies and Cylinder Assembly



BH-7200-56  
Cylinder Seal Kit

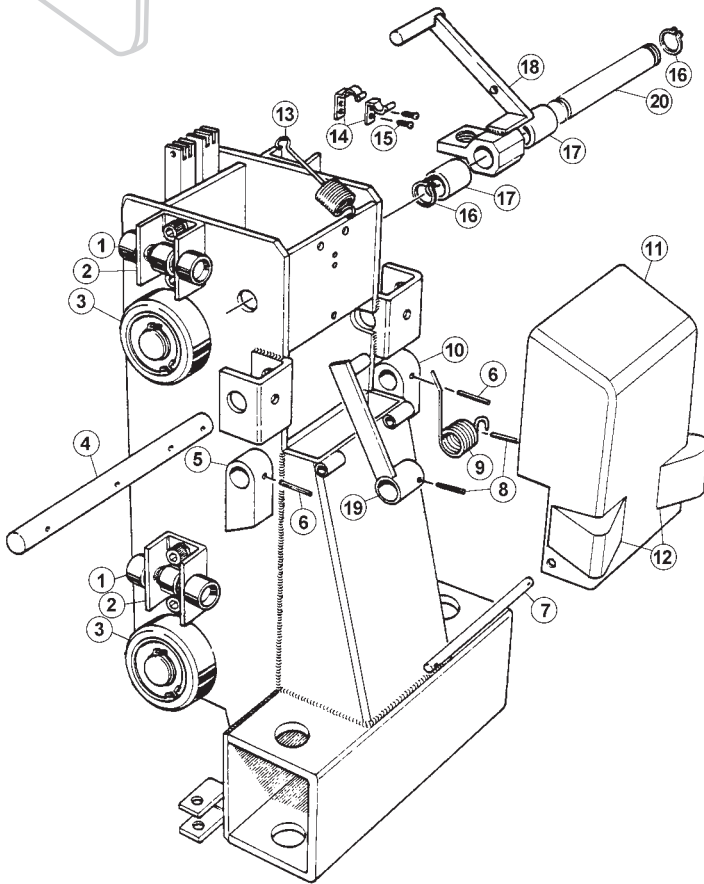
Item	SVI part #	OEM # 6-Digit	OEM # 8-Digit	Description
1	BH-7200-50	205657	10151201	Chain Wheel
2	BH-7200-51	205196	80841347	Metal Spacer
3	BH-7204-014	205214	10161521	Spacer C
4	BH-7200-52	205682	00056431	Axle (Driver Post)
4	BH-7200-53	205683	00056441	Axle (Follower Post)
4	BH-7200-54	205661	10182361	Axle (Cylinder Yoke)
5	BH-7200-55	205671	00055731	Cylinder
5	<b>BH-7200-56</b>	205203	00043341	Cylinder Seal Kit
6	BH-7200-83	205699	00052501	Safety Bar
7	BH-7200-57	205687	50550952	Return Spring
8	BH-7200-58	205688	10182651	Spring Stopper
9	BH-7032	205676	80835427	Leaf Chain
10	BH-7032	205677	80835273	Leaf Chain
11	BH-7200-61	205663	00052791	Chain Bracket/Yoke
12	BH-7204-030	205185	00044421	Control Arm

Item	SVI part #	OEM # 6-Digit	OEM # 8-Digit	Description
13	BH-7200-63	205189	00043501	Control Lever
14	BH-7203-116	205190	50561801	Grip
15	BH-7200-64	205711	10181011	Crank Collar
16	BH-7200-65	205732	00052303	Lock Control Handle
17	BH-7200-66	205709		Driver Crank Support
18	BH-7200-67	205706	10181051	Crank Pin
19	BH-7200-68	205707	50581241	Rod End Pin Holder
20	BH-7200-69	205708	50581231	Rod End Pin Holder
22	BH-7200-71	205704	10181061	Crank
23	BH-7200-72	205705	10181071	Crank Collar
24	BH-7200-73	205702	00052312	Crank Rod
25	BH-7200-74	205187	10161852	Control Lever
26	BH-7200-75	206571	10161831	Collar
27	BH-7200-70	205700	00053341	Driver Crank

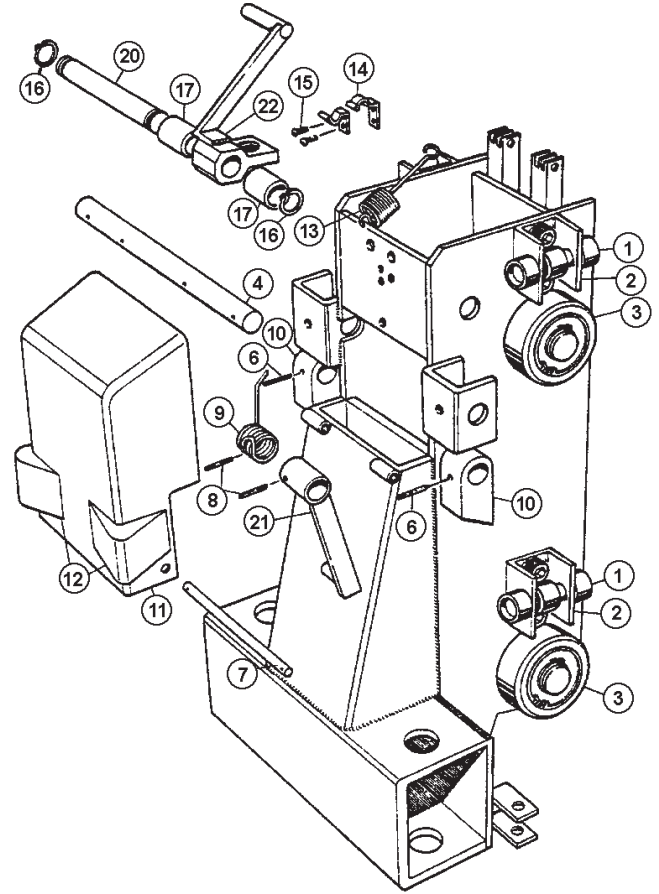


# TPO-7 and TPO-55

## Carriage Assembly



**Driver Post**



**Follower Post**

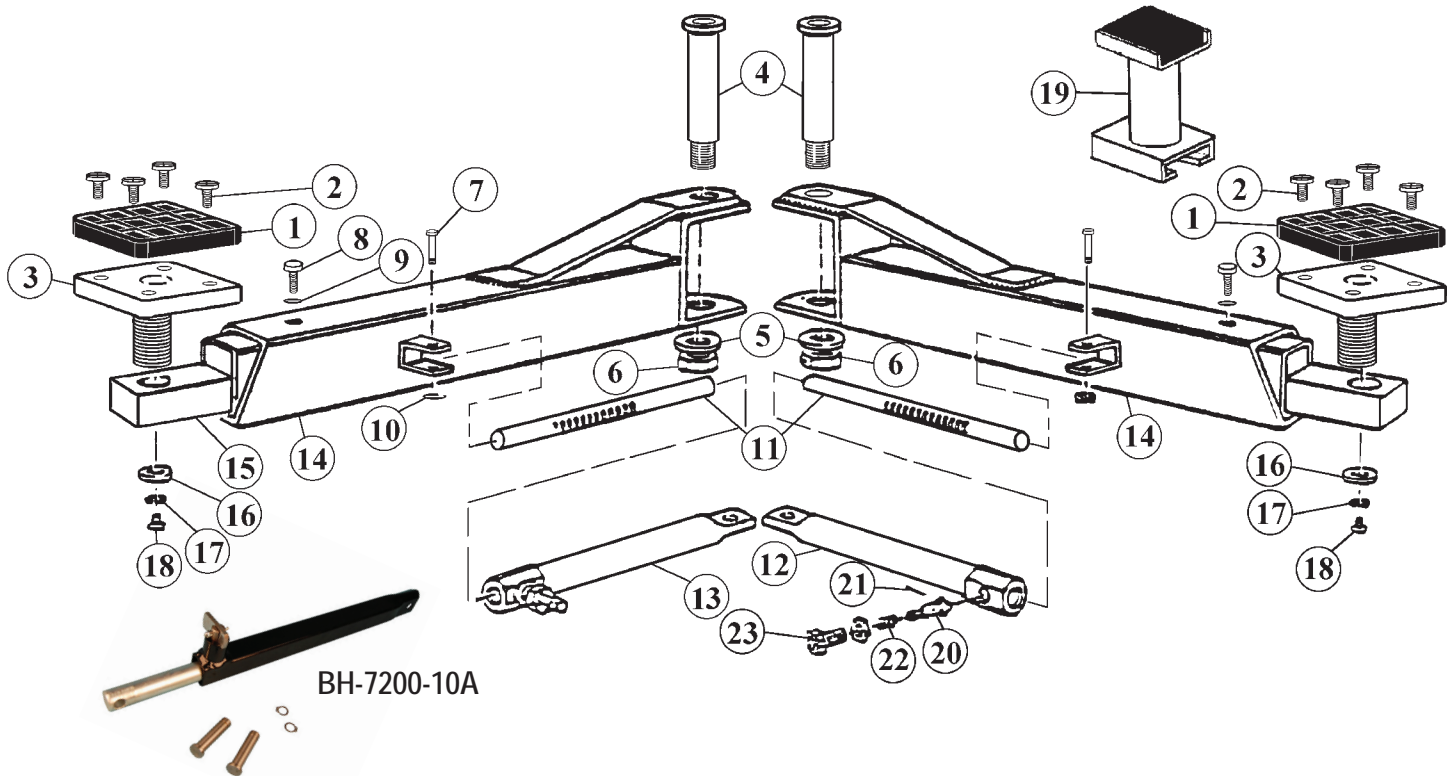
Item	SVI part #	OEM # 6-Digit	OEM # 8-Digit	Description
1	BH-7200-25	205158	00043181	Side Roller Assembly
2	BH-7200-26	206563	00046171	Side Roller Bracket
3	BH-7201-80	205155	00043161	Roller Assembly
4	no longer avail.	205648		Hook Shaft
5	no longer avail.	205647		Lowering Stop
6	F-RP-125-1125	205323	90980530	Roll Pin
7	BH-7200-29	205152	10161751	Hinge Pin
8	F-RP-125-1500	205326	90980535	Roll Pins
9	BH-7200-31	205644		Hook Spring
10	BH-7200-32	205647		Lowering Stop
11	BH-7200-33	205646	00052482	Cover

Item	SVI part #	OEM # 6-Digit	OEM # 8-Digit	Description
12	BH-7204-051	205151	50561701	Door Stop Rubber
13	BH-7200-34	205638	50580852	Spring
14	BH-7200-35	205140	50561722	Cover Spring
15	BH-7209-26	205324	90940608	Round Head Screws
16	BH-7200-37	205880	80845017	Snap Ring
17	BH-7200-38	205640	10180831	Catch Gear Collar
18	BH-7200-39	213045		Safety Arm - Driver Post
19	BH-7200-40	205645		Main Out Lever - Drive Post
20	BH-7200-41	205639	10180821	Catch Gear Shaft
21	BH-7200-42	205656		Sub Out Lever - Follower Post
22	BH-7200-43	213048		Safety Arm - Follower Post



# TP-7, TPO-7, TP-55 and TPO-55

## Lift Arms and Accessories



Item	SVI part #	OEM # 6-Digit	OEM # 8-Digit	Description
1	BH-7205	205175	50564212	Rubber Arm Pad
2	BH-7205-01	205174	90940812	Round Head Screw
3	BH-7205-02A	205176	00043871	Steel Support This is SVI version, goes with #15, for SVI arms only
	BH-7205-02OV	205176	00043871	Steel Support This is original version that came with original arms
4	BH-7204-002	205170	00044931	Lift Arm Pin
5	BH-7204-052	205222	90930730	Washer
6	BH-7204-006	205223	10164531	Arm Pin Nut
7	BH-7201-67	205154	10164401	Arm Lock Fitting Pin
8	BH-7204-053	205172	90911015	Hex Bolt
9	BH-7203-343	205173	90930510	Lock Washer
10	BH-7204-054	205181	80845001	Snap Ring
11	BH-7200-10	205182	10164391	Inner Bar - Restraint
12	BH-7200-11	205737	00043902	Outer Pipe - Restraint
13	<b>BH-7200-10A</b>		00043882	<b>Complete Arm Rest. 12-5/8" Long</b>
14	not available	205733	00045762	Lift Arm (Right Hand)
14	BH-7204-008S	205305		Arm (Right - Short) TP-55
14	BH-7204-008L	205303		Arm (Right - Long) TP-55
14	not available	205734	00045772	Lift Arm (Left Hand)

Item	SVI part #	OEM # 6-Digit	OEM # 8-Digit	Description
14	BH-7204-009S	205304		Arm (Left - Short) TP-55
14	BH-7204-009L	205171		Arm (Left - Long) TP-55
15	BH-7204-007	205735	00045841	Inner Slide Arm (TP(O)-7)
15	BH-7204-007S	205180	00045821	Slide Arm (TP-55)
14/15	BH-7204-010	204049	00045722	Swing Arm Assembly (Right)
14/15	BH-7204-011	205125	00045732	Swing Arm Assembly (Left)
16	BH-7204-003	205177	10164231	Screw Stopped
17	BH-7204-004	205178	90930906	Serrated Washer
18	BH-7204-005	205179	90950615	Screw
19	BH-7200-12			5-1/2" Height Extension
20	BH-7201-69	205383	10164363	Lock Pin (OEM Style)
21	BH-7201-72	205385	90980420	Roll Pin (OEM Style)
22	BH-7201-70	205382	50564342	Lock Spring (OEM Style)
23	BH-7201-73	205379	10184342	Lock Handle (OEM Style)

**Please Note:** Items 11-12, 20-23 are replacement parts for OEM style arm restraints. The BH-7200-10A replacement arm restraint is a complete, American-made arm restraint which directly replaces the OEM 00043882 arm restraint for TP-7, TPO-7, TP-55, TPO-55 models.

**TERMS AND CONDITIONS OF THE  
SALES ORDER  
FOR SVI INTERNATIONAL, INC.**

1. **GENERAL.** The terms and conditions of sales order outlined herein shall apply to the sale by SVI INTERNATIONAL, INC. (hereinafter referred to as "Company") of the items described on the facing page (hereinafter referred to as "Merchandise") to Purchaser.
2. **DELIVERY.** Delivery shall be deemed to be complete when the Merchandise has been shipped F.O.B. Company's plants in DeKalb, Illinois, Duarte, California; and Baltimore, Maryland ("Company's plants"). Shipments are subject to delays from causes or contingencies beyond the reasonable control of the Company. When otherwise not specified, shipments will be made in standard containers via carrier which, in the judgment of the Company, will result in the most practical method. Title and right of possession will pass to the Purchaser upon receipt by the carrier at the shipping point. If a customer of the Company should specify a specific carrier's method of shipment (i.e. UPS Next Day Air) and that carrier does not perform to the customer's expectations, freight credit to a customer's account will not be issued unless the Company can first obtain a credit.
3. **RISK OF LOSS.** Identification of the Merchandise under Uniform Commercial Code (hereinafter referred to as "UCC") Section 2-501 shall take place at the moment of shipment F.O.B. Company's plants. Risk of loss shall pass to the Purchaser when the Merchandise is shipped from the Company's plants.
4. **TITLE.** Title to the merchandise shall transfer to the Purchaser when the Merchandise is shipped from the Company's plants.
5. **WARRANTIES.** The Company guarantees its products to be free from defects in workmanship and raw materials for a period of one year from date of purchase. THIS WARRANTY IS EXPRESSLY IN LIEU OF ANY AND ALL WARRANTIES EXPRESS OR IMPLIED. COMPANY DOES NOT WARRANT THE MERCHANDISE IS MERCHANTABLE OR FIT FOR ANY PARTICULAR PURPOSE. Company's liability for breach of the terms of this Agreement, including any warranty, is limited to either refund of the invoice price of the Merchandise or at Company's option, replacement of the Merchandise free of charge, including transportation charges but not including the cost of labor. Purchaser has not relied on any statement or upon the conduct of Company with respect to the prospective use of the merchandise. Company shall not be liable for and Purchaser waives any and all claims for any loss or damage, directly or indirectly, arising from the use of the Merchandise and for punitive, incidental or consequential damages, including, but not limited to, damages to property, for loss of use, loss of time, loss of profit or loss of income. The Company does not authorize the sale of our products under any other warranty, expressed or implied.
6. **SETOFF.** All claims for money due or to become due from the Company shall be subject to deduction by the Company for any setoff or counterclaim arising out of this or any other claims of the Company or its affiliated companies, whether such setoff or counterclaim arose before or after any assignment by Purchaser.
7. **INDEMNIFICATION.** Purchaser agrees to indemnify the Company and hold it harmless from and against all claims, liability, loss, damage or expense, including reasonable counsel fees, arising from or by reason of any modifications or alterations made by Purchaser. If a customer of the Company modifies or alters any part, in any manner whatsoever, or uses any part in departure from recommended performance specifications, said customer agrees to indemnify and hold the Company harmless from and against all liability and expenses based on damage to property or injury to or death of any person arising out of or attributable to such modified or altered part. Further, the Company will not accept any such modified or altered part for credit to a customer's account.
8. **FREIGHT POLICY.** Freight charges on individual orders less than \$3,000 in net value are prepaid and added to invoice or collect F.O.B. shipping point. Freight charges (standard ground service and continental US only) on individual orders more than \$3,000 net value are paid by the Company F.O.B. shipping point. Note: customers with C.O.D. terms are responsible for all carrier C.O.D. fees regardless of order net value.
9. **RETURN POLICY.** To return parts for credit or inspection Purchaser must first contact the Company to obtain a Return Goods Authorization number (RGA#). Once Purchaser has obtained an RGA# the parts can be returned freight prepaid only. The RGA# must be on the outside of the container in a highly visible location. All parts must be returned freight prepaid and the shipment must include a letter of explanation giving the specific reason for return including details as to the conditions under which the part or parts operated. Note: parts returned without an RGA#, freight collect or without written explanation may be refused. Parts which have been used in any way or manner, including any installation or incorporation into a lift or hoist, shall NOT be eligible for return whether or not an RGA has been assigned.
10. **RESTOCK CHARGE.** Returns are subject to up to twenty-five (25%) restocking charge. Refusals are subject to the same restocking charge plus the cost of outbound and return freight charges and/or fees incurred by the Company due to shipment refusal.
11. **PRICES AND PAYMENTS.** All prices are subject to change without notice. All prices are F.O.B. shipping point. The Company standard terms are net 30 days, C.O.D. company check, C.O.D. cash, VISA, MasterCard, Discover or American Express. However, if in the judgment of the Company, the financial condition of the Purchaser at any time does not justify shipment according to standard terms of payment, the Company may require full or partial payment in advance.
12. **INTERPRETATION.** This sales order is intended by the parties as a complete and exclusive statement of the terms of their agreement. It supersedes all prior agreements, written or oral. No course of prior dealings between the parties and no usage of the trade shall be relevant to supplement or explain any terms used in this sales order. Acceptance or acquiescence in a course of performance rendered under this purchase order shall not be relevant to determine the meaning of this sales order even though the accepting or acquiescing party has knowledge of the nature of the performance and opportunity for objection. Whenever a term defined by the UCC is used in this sales order the definition contained in the UCC shall control.
13. **MODIFICATION.** This sales order can be modified or rescinded only by a writing signed by both parties.
14. **WAIVER.** No claim or right arising out of a breach of this sales order can be discharged in whole or in part by a waiver or renunciation of the claim or right unless such waiver or renunciation is supported by consideration and is in writing signed by the aggrieved party.
15. **ASSIGNMENT.** No right or interest in this sales order shall be assigned by either party without the written consent of the other and no delegation of any obligation owed, or of the performance of any obligation by either the Company or Purchaser shall be made without the written consent of the other party. Any attempted assignment or delegation not made in conformity with this paragraph shall be wholly void and totally ineffective for all purposes.
16. **TIME TO PERFORM AND BRING ACTION.** Time is of the essence of this sales order. Any action for breach of this sales order shall be commenced within two (2) years after the cause of action has accrued. Any party who loses any litigation shall reimburse the other party for costs including reasonable attorneys fees. The exclusive jurisdiction for any legal action shall be the Circuit Court of DeKalb County, Illinois.
17. **APPLICABLE LAW.** This sales order shall be governed by the UCC of Illinois as effective and in force on the date of this sales order.

*Offering the Best in Automotive Lift Repair Parts and More!*

---

Auto Lift Cables • Auto Lift Parts • Brake Lathe Repair Parts

Compressed Air Repair Parts • Exhaust System Products • Fluid Delivery Repair Parts

Lubrication Equipment Repair Parts • Repair Parts for Gasboy Consumer Series

Service Station Pump and Tank Products • SVI Misc Auto Lift Products and Catalogs

Tire Changer Repair Parts • Vehicle Lifting Systems • Wheel Balancer Accessories

---

***Serving the Industry Since 1977 • Same-Day Shipping***



**SVI International, Inc.**

**(800) 321-8173 • fax: (800) 899-1784**

155 Harvestore Drive • DeKalb, IL 60115

**[www.sviinternational.com](http://www.sviinternational.com)**

**BALTIMORE • CHICAGO • LOS ANGELES**

While the utmost care has been used in compiling this reference material, we assume no responsibility for errors. Specifications are subject to change without notice. This edition supersedes all previous editions or issues. SVI reference material is subject to change without notice. All rights reserved.