

Automotive Lift

R E P A I R P A R T S



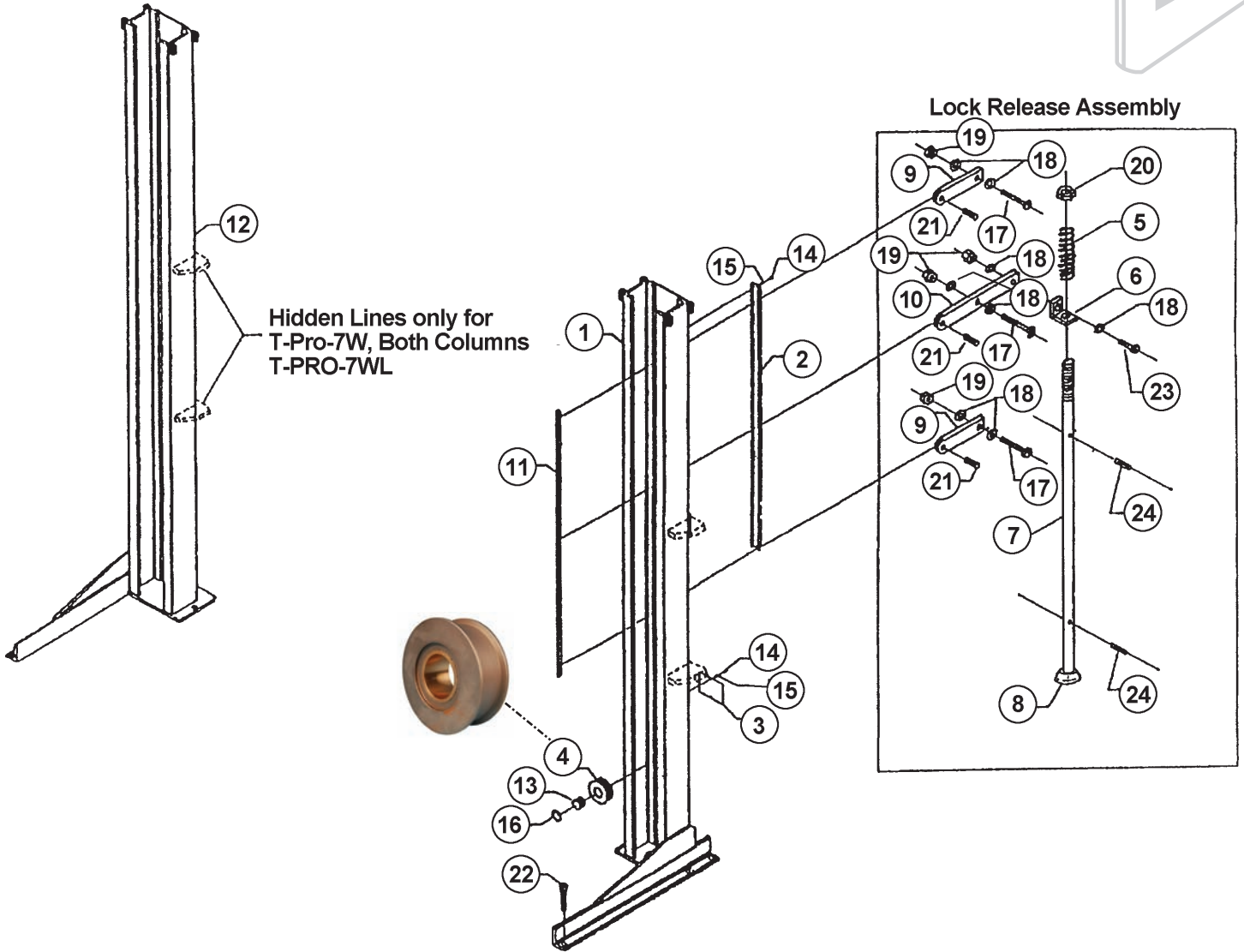
SVI International, Inc.
(800) 321-8173 • fax: (800) 899-1784
155 Harvestore Drive • DeKalb, IL 60115
www.sviinternational.com

BALTIMORE • CHICAGO • LOS ANGELES

Repair Parts for: **Benwil**

Repair Parts for:
Benwil
LRC7200K

T-PRO-7 / 7W / 7L / 7WL

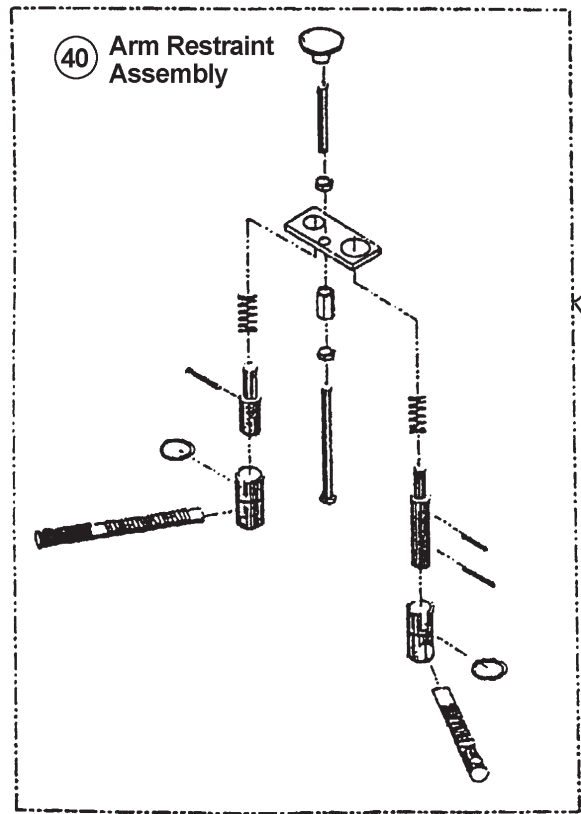
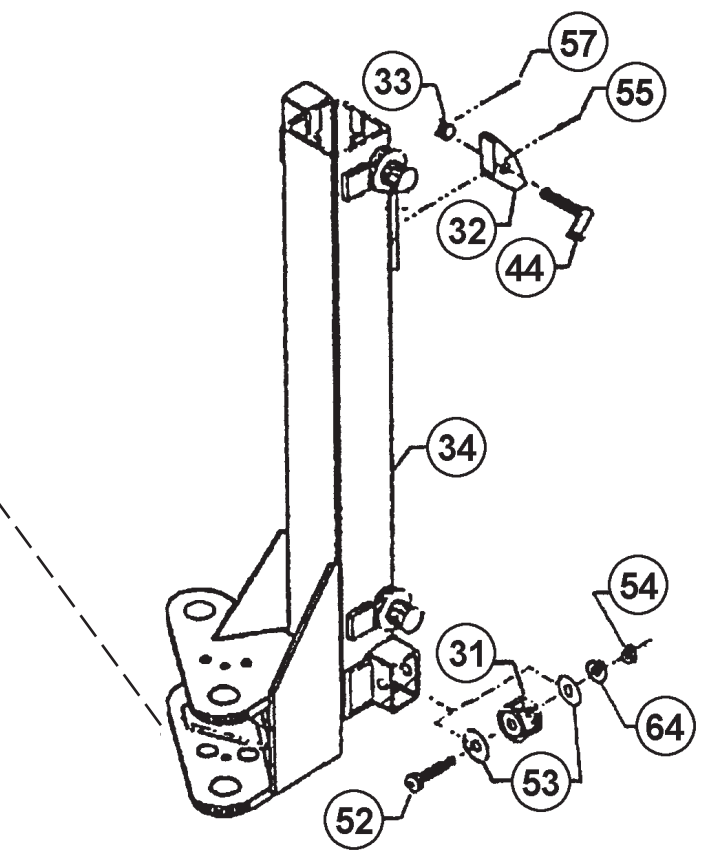
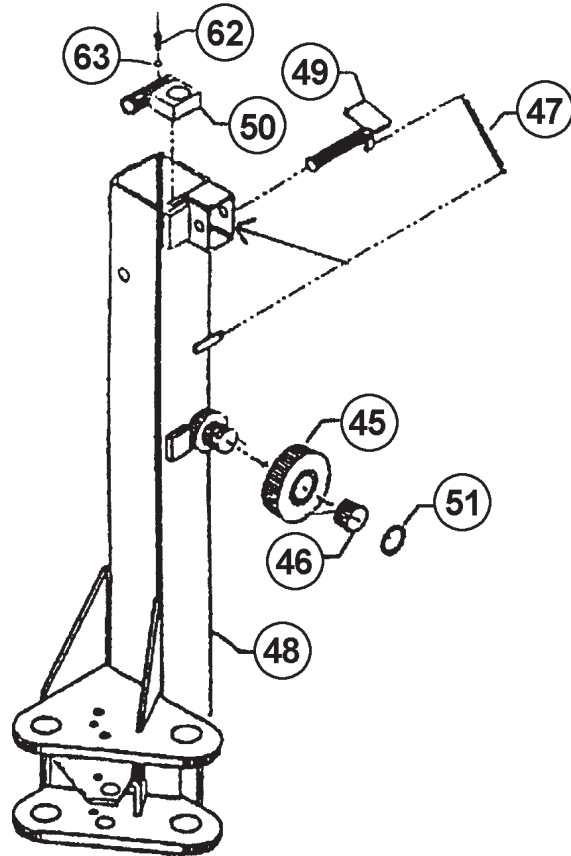


Item	SVI part #	OEM #	Description	7	7W	7L	7WL
1	call for details	300135-1	Column-Drive Side	1	--	1	--
	call for details	300135-3	Column-Drive Side	--	1	--	1
2	BH-7224-149	300165	Cover-Lock	1	--	1	--
	call for details	300594	Cover-Lock	--	1	--	1
3	call for details	300465	Cover-Clevis	1	1	1	1
4	BH-7208-26	300069	Lower Sheave	1	1	1	1
5	BH-7208-09	300397	Spring-Lock Release	1	1	1	1
6	BH-7208-64	300449	Angle-Lock Release	1	1	1	1
7	BH-7208-22	300574	Rod-Lock Release	1	1	1	1
8	BH-7208-36	300284	Knob-Lock Release	1	1	1	1
9	BH-7202-99	300178	Link-Lock Release	2	2	2	2
10	BH-7208-21	300450	Link-Lock Release	1	1	1	1
11	BH-7202-90	300596	Channel-Lock Release	1	1	1	1

Item	SVI part #	OEM #	Description	7	7W	7L	7WL
12	call for details	300134-1	Column-Driven Side	1	--	1	--
	call for details	300134-3	Column-Driven Side	--	1	--	1
13	BH-7205-53	500396-3	Self-Lube Bearing	1	1	1	1
14	F-HC-0250-20-0375	14-20"x3/8	Hex Head Bolt	4	4	4	4
15	F-FW-0250-SAE	1/4"	Flat Washer	4	4	4	4
16	BH-7209-58	300218-12	Ext. Retaining Ring	1	1	1	1
17	F-MS-0010-32-1000	#10-32 x 1	Phil. Hd. Mach. Screw	3	3	3	3
18	F-FW-0187-SAE	3/16"	Flat Washer	8	8	8	8
19	F-NL-0010-32	#10-32	Nylon Inst. Hex Hd. Nut	4	4	4	4
20	F-HN-0375-16	3/8"-16	Hex Nut	1	1	1	1
21	F-RP-187-0437	3/16" x 7/16"	Roll Pin	3	3	3	3
22	BH-7224-131	500388	Anchor Bolt Assy.	6	6	6	6
23	F-MS-0010-32-0750	#10-32 x 3/4"	Phil. Hd. Mach. Screw	1	1	1	1
24	F-RP-156-0750	5/32" x 3/4"	Roll Pin	2	2	2	2



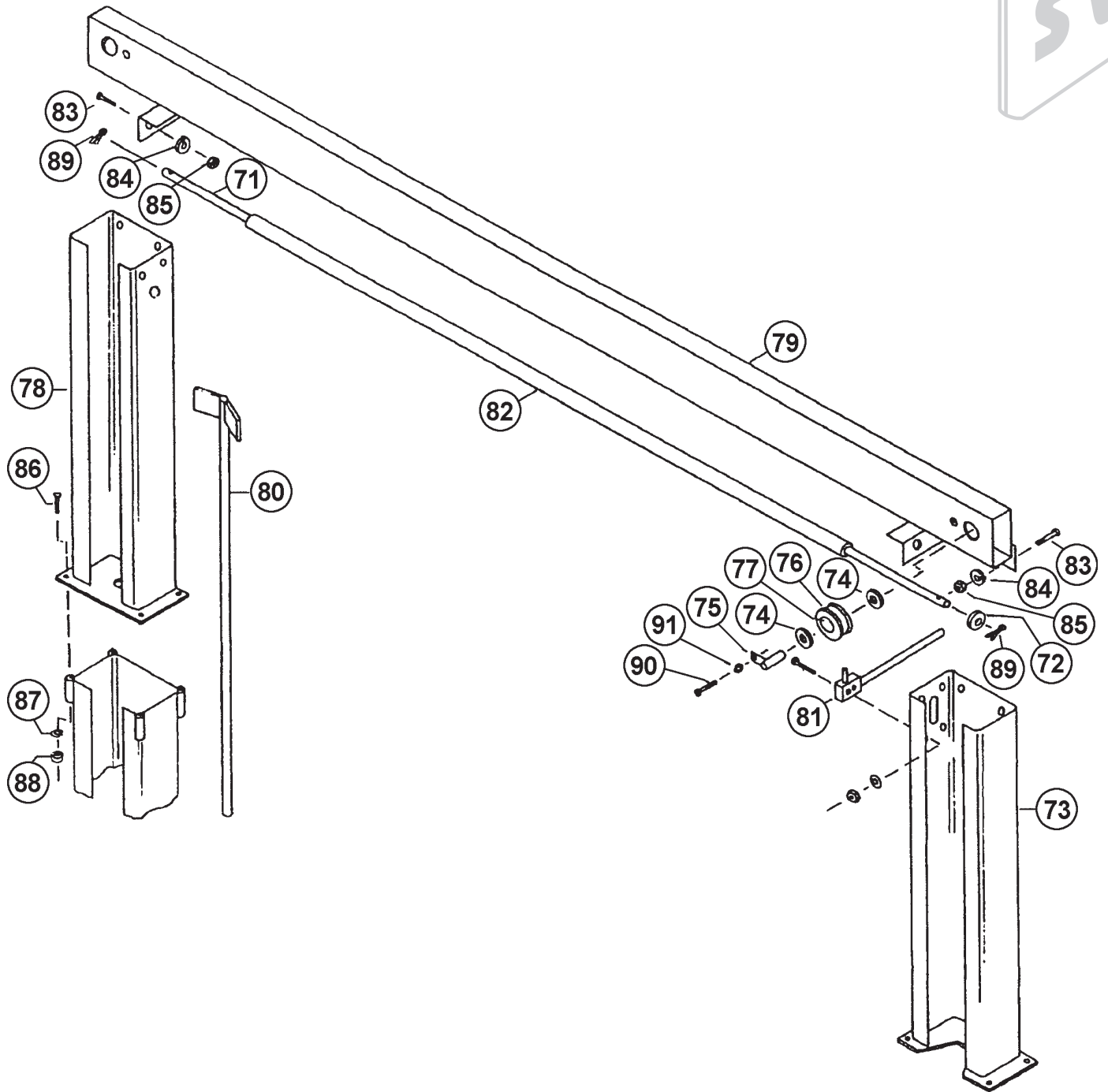
T-PRO-7 / 7W / 7L / 7WL



Item	SVI part #	OEM #	Description	7	7W	7L	7WL
31	BH-7208-11	300285	Roller Assy.-Side	4	--	4	--
	BH-7205-45	300378	Roller Assy.-Side	--	4	--	4
32	BH-7208-48	300055	Carriage Lock	1	1	1	1
33	BH-7208-49	300061	Spring-Lock	1	1	1	1
34	BH-7208-97	300374-3	Carriage-Drive Side	1	--	1	--
	call for details	300374-1	Carriage-Drive Side	--	1	--	1
36	BH-7208-15	300551	Restraint Pin-Rear Arm	2	2	2	2
40	BH-7200-10D	300271	Arm Restraint Assy.(1 side)	2	2	2	2
44	BH-7208-10	300077	Pin Assy. Lock	1	1	1	1
45	BH-7208-13	300153	Roller	6	6	6	6
46	call for details	500396-2	Self-Lube Bearing	6	6	6	6
47	BH-7209-59	300114	Spring Loose Chain Lock	1	1	1	1
48	call for details	300375-3	Carriage-Driven Side	1	--	1	--
	call for details	300375-1	Carriage-Driven Side	--	1	--	1
49	BH-7209-60	300464	Latch Assy.-Lock	1	1	1	1
50	BH-7209-61	300563	Lock-Loose Chain	1	1	1	1
51	BH-7202-006	300218-8	Ext. Retaining Ring	6	6	6	6
52	F-SB-0625-11-2000	5/8x2	Socket Shoulder Screw	4	4	4	4
53	F-FW-0625-USS	5/8x1-3/4	Flat Washer	8	--	8	--
	BH-7208-45	300606	Thrust Washer	--	8	--	8
54	F-NL-0500-13	1/2"-13	Nylon Insert Lock Nut	4	4	4	4
55	F-RP-0156-1500	5/32 x 1-1/2	Roll Pin	1	1	1	1
56	BH-7208-35	300573	Coupling Nut	2	2	2	2
62	F-HC-0250-20-0500	1/4-20 x 1/2	Socket Head Cap Screw	1	1	1	1
63	F-LW-0250	1/4"	Spring Lock Washer	1	1	1	1
64	F-FW-0500-SAE	1/2"	Flat Washer	4	4	4	4



T-PRO-7 / 7W / 7L / 7WL



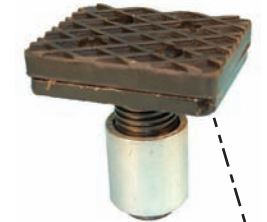
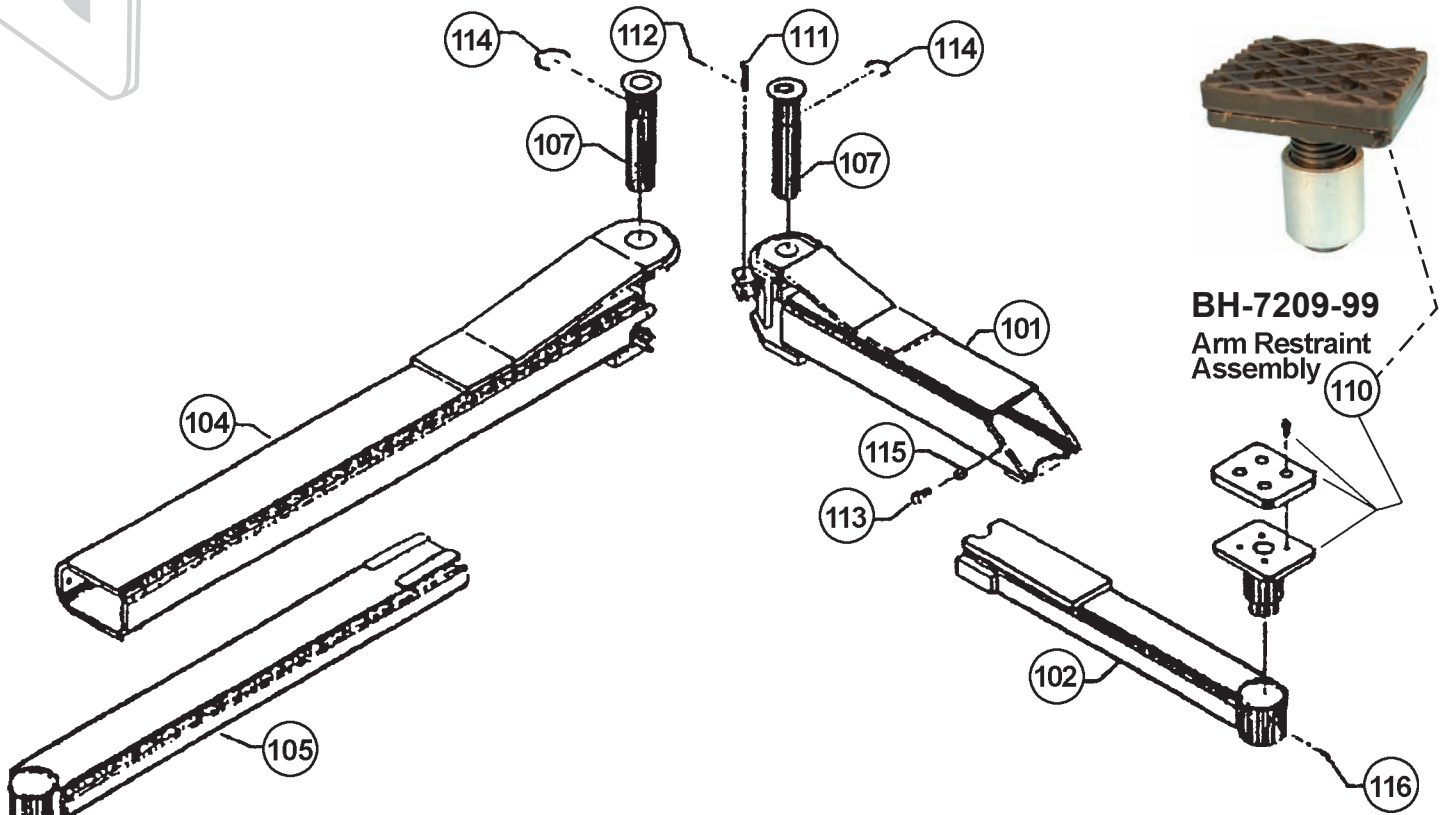
Item	SVI part #	OEM #	Description	7	7W	7L	7WL
71	call for details	300470-1	Conduit-Limit Switch	1	--	1	1
	call for details	300470-2	Conduit-Limit Switch	--	1	--	1
72	F-FW-0750-USS	3/4"	Flat Washer	1	1	1	1
73	call for details	300357	Upper Column-Drive Side	1	1	--	--
	call for details	300621	Upper Column-Drive Side	--	--	1	1
74	BH-7208-18	300137	Spacer-Sheave	4	4	4	4
75	BH-7208-20	300160	Shaft Assy-Upper Sheave	2	2	2	2
76	BH-7208-19	300068	Upper Sheave	2	2	2	2
77	BH-7205-53	500396-3	Self-Lube Bearing	2	2	2	2
78	call for details	300356	Upper Column-Driven Side	1	1	--	--
	call for details	300623	Upper Column-Driven Side	--	--	1	1
79	BH-7205-76	300348-5	Overhead Beam	1	--	1	--
	call for details	300348-1	Overhead Beam	--	1	--	1

Item	SVI part #	OEM #	Description	7	7W	7L	7WL
80	BH-7208-12	300361	Bar-Lock Restraint	1	1	1	1
81	BH-7209-54	300282	Micro Switch	1	1	1	1
	BH-7209-87	300283	Enclosure	1	1	1	1
82	BH-7210-15	300281	Foam Tube Overhead Lmt.	1	1	1	1
83	F-HC-0375-16-1000	3/8-16x1	Hex Bolt	8	8	8	8
84	F-LW-0375	3/8"	Spring Lock Washer	8	8	8	8
85	F-HN-0375-16	3/8"-16	Hex Nut	8	8	8	8
86	F-HC-0500-13-2500	1/2-13x2-1/2	Hex Bolt	8	8	8	8
87	F-FW-0500	1/2"	Spring Lock Washer	8	8	8	8
88	F-HN-0500-13	1/2"-13	Hex Nut	8	8	8	8
89	F-CP-125-1000	1/8"-1"	Cotter Pin	2	2	2	2
90	F-HC-0250-20-0375	1/4"-20x3/8"	Hex Bolt	2	2	2	2
91	F-LW-0250	1/4"	Spring Lock Washer	2	2	2	2

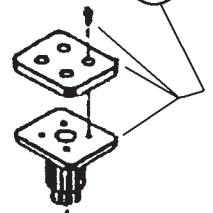
P
a
g
e
4



T-PRO-7 / 7W / 7L / 7WL



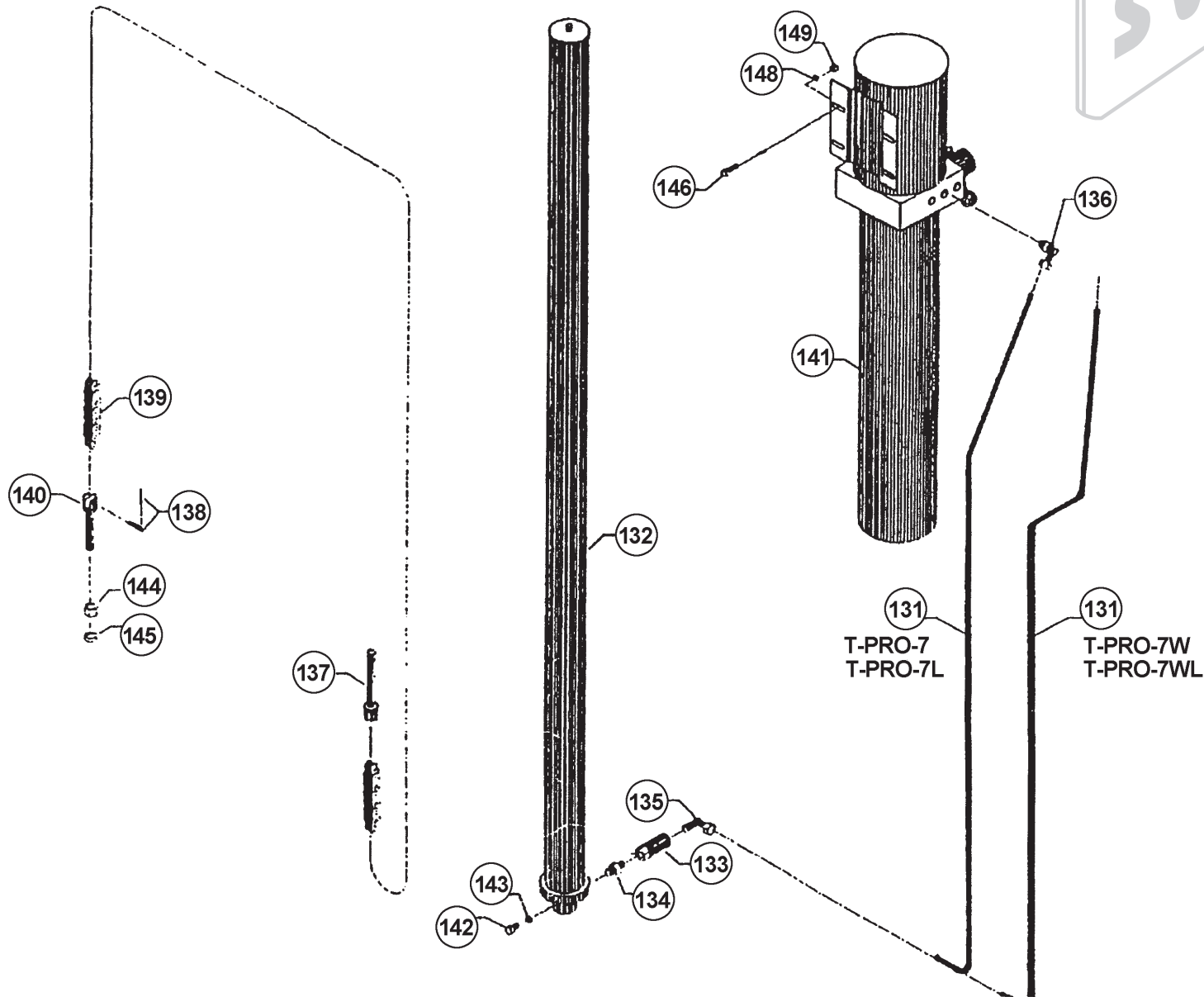
BH-7209-99
 Arm Restraint
 Assembly



Sold as
BH-7210-03A
 Adapter/Pad
 Assembly

Item	SVI part #	OEM #	Description	7	7W	7L	7WL
101	BH-7207-72	300556-1	Front Swing Arm-Left	1	--	1	--
	call for details	300347-1	Front Swing Arm-Left	--	1	--	1
102	BH-7209-62	300329-3	Arm Ext.-Front	2	2	2	2
103	BH-7207-73	300556-2	Front Swing Arm-Right	1	--	1	--
	call for details	300347-2	Front Swing Arm-Right	--	1	--	1
104	BH-7208-63	300323-1	Rear Swing Arm-Left	1	1	1	1
105	BH-7209-63	300201-5	Arm Ext. Rear	2	2	2	2
106	BH-7208-60	300323-2	Rear Swing Arm-Right	1	1	1	1
107	BH-7208-61	300566	Pin-Arm Front & Rear	4	4	4	4
109	BH-7205	100533	Pad-Lift	4	4	4	4
110	BH-7209-99	100926	Pick Up Pad Assy.				
111	BH-7208-06	300136	Clevis Pin	4	4	4	4
112	F-CP-125-1000	1/8"x1"	Cotter Pin	4	4	4	4
113	F-HC-0375-16-0500	3/8"-16x1/2"	Hex Bolt	4	4	4	4
114	BH-7207-49	300218-13	Crescent Ring	4	4	4	4
115	call for details	AN960-D616	Alum. Washer	4	4	4	4
116	F-HC-0312-18-0500	5/16"-18x1/2"	Hex Bolt	4	4	4	4
117	BH-7210-03A	100945	Height Ext. Kit OE Style				

T-PRO-7 / 7W / 7L / 7WL



Item	SVI part #	OEM #	Description	7	7W	7L	7WL
131	call for details	300255	Hydraulic Line	1	--	1	--
	call for details	300611	Hydraulic Line	--	1	--	1
132	BH-7209-64	300722	Hydraulic Cylinder	1	1	--	--
	call for details	300725	Hydraulic Cylinder	--	--	1	1
133	BH-7208-39	500354	Flow Control Valve	1	1	1	1
134	BH-7210-89	500389	Male Pipe Nipple	1	1	1	1
135	call for details	300625	Male Pipe Elbow	1	1	1	1
136	BH-7210-13	300624	Straight Thread Elbow	1	1	1	1
137	BH-7205-40	300124-2	Clevis-Chain Drive Side	1	1	1	1
138	BH-7209-65	300125	Clevis Pin w/Cotter Pins	2	2	2	2
139	BH-7028	300158-1	Leaf Chain-481 Links	1	--	--	--
	BH-7208	300158-7	Leaf Chain-503 Links	--	1	--	--
	BH-7028	300158-9	Leaf Chain-469 Links	--	--	1	--
	BH-7028	300158-11	Leaf Chain-493 Links	--	--	--	1
140	BH-7209-67	300124-1	Clevis-Chain Driven Side	1	1	1	1
141	BH-7006-01	101071	1Ph. Elec. Hyd. Pump	1	1	1	1
	BH-7006-03	101072	3Ph. Elec. Hyd. Pump	1	1	1	1

**TERMS AND CONDITIONS OF THE
SALES ORDER
FOR SVI INTERNATIONAL, INC.**

1. **GENERAL.** The terms and conditions of sales order outlined herein shall apply to the sale by SVI INTERNATIONAL, INC. (hereinafter referred to as "Company") of the items described on the facing page (hereinafter referred to as "Merchandise") to Purchaser.
2. **DELIVERY.** Delivery shall be deemed to be complete when the Merchandise has been shipped F.O.B. Company's plants in DeKalb, Illinois, Duarte, California; and Baltimore, Maryland ("Company's plants"). Shipments are subject to delays from causes or contingencies beyond the reasonable control of the Company. When otherwise not specified, shipments will be made in standard containers via carrier which, in the judgment of the Company, will result in the most practical method. Title and right of possession will pass to the Purchaser upon receipt by the carrier at the shipping point. If a customer of the Company should specify a specific carrier's method of shipment (i.e. UPS Next Day Air) and that carrier does not perform to the customer's expectations, freight credit to a customer's account will not be issued unless the Company can first obtain a credit.
3. **RISK OF LOSS.** Identification of the Merchandise under Uniform Commercial Code (hereinafter referred to as "UCC") Section 2-501 shall take place at the moment of shipment F.O.B. Company's plants. Risk of loss shall pass to the Purchaser when the Merchandise is shipped from the Company's plants.
4. **TITLE.** Title to the merchandise shall transfer to the Purchaser when the Merchandise is shipped from the Company's plants.
5. **WARRANTIES.** The Company guarantees its products to be free from defects in workmanship and raw materials for a period of one year from date of purchase. THIS WARRANTY IS EXPRESSLY IN LIEU OF ANY AND ALL WARRANTIES EXPRESS OR IMPLIED. COMPANY DOES NOT WARRANT THE MERCHANDISE IS MERCHANTABLE OR FIT FOR ANY PARTICULAR PURPOSE. Company's liability for breach of the terms of this Agreement, including any warranty, is limited to either refund of the invoice price of the Merchandise or at Company's option, replacement of the Merchandise free of charge, including transportation charges but not including the cost of labor. Purchaser has not relied on any statement or upon the conduct of Company with respect to the prospective use of the merchandise. Company shall not be liable for and Purchaser waives any and all claims for any loss or damage, directly or indirectly, arising from the use of the Merchandise and for punitive, incidental or consequential damages, including, but not limited to, damages to property, for loss of use, loss of time, loss of profit or loss of income. The Company does not authorize the sale of our products under any other warranty, expressed or implied.
6. **SETOFF.** All claims for money due or to become due from the Company shall be subject to deduction by the Company for any setoff or counterclaim arising out of this or any other claims of the Company or its affiliated companies, whether such setoff or counterclaim arose before or after any assignment by Purchaser.
7. **INDEMNIFICATION.** Purchaser agrees to indemnify the Company and hold it harmless from and against all claims, liability, loss, damage or expense, including reasonable counsel fees, arising from or by reason of any modifications or alterations made by Purchaser. If a customer of the Company modifies or alters any part, in any manner whatsoever, or uses any part in departure from recommended performance specifications, said customer agrees to indemnify and hold the Company harmless from and against all liability and expenses based on damage to property or injury to or death of any person arising out of or attributable to such modified or altered part. Further, the Company will not accept any such modified or altered part for credit to a customer's account.
8. **FREIGHT POLICY.** Freight charges on individual orders less than \$3,000 in net value are prepaid and added to invoice or collect F.O.B. shipping point. Freight charges (standard ground service and continental US only) on individual orders more than \$3,000 net value are paid by the Company F.O.B. shipping point. Note: customers with C.O.D. terms are responsible for all carrier C.O.D. fees regardless of order net value.
9. **RETURN POLICY.** To return parts for credit or inspection Purchaser must first contact the Company to obtain a Return Goods Authorization number (RGA#). Once Purchaser has obtained an RGA# the parts can be returned freight prepaid only. The RGA# must be on the outside of the container in a highly visible location. All parts must be returned freight prepaid and the shipment must include a letter of explanation giving the specific reason for return including details as to the conditions under which the part or parts operated. Note: parts returned without an RGA#, freight collect or without written explanation may be refused. Parts which have been used in any way or manner, including any installation or incorporation into a lift or hoist, shall NOT be eligible for return whether or not an RGA has been assigned.
10. **RESTOCK CHARGE.** Returns are subject to up to twenty-five (25%) restocking charge. Refusals are subject to the same restocking charge plus the cost of outbound and return freight charges and/or fees incurred by the Company due to shipment refusal.
11. **PRICES AND PAYMENTS.** All prices are subject to change without notice. All prices are F.O.B. shipping point. The Company standard terms are net 30 days, C.O.D. company check, C.O.D. cash, VISA, MasterCard, Discover or American Express. However, if in the judgment of the Company, the financial condition of the Purchaser at any time does not justify shipment according to standard terms of payment, the Company may require full or partial payment in advance.
12. **INTERPRETATION.** This sales order is intended by the parties as a complete and exclusive statement of the terms of their agreement. It supersedes all prior agreements, written or oral. No course of prior dealings between the parties and no usage of the trade shall be relevant to supplement or explain any terms used in this sales order. Acceptance or acquiescence in a course of performance rendered under this purchase order shall not be relevant to determine the meaning of this sales order even though the accepting or acquiescing party has knowledge of the nature of the performance and opportunity for objection. Whenever a term defined by the UCC is used in this sales order the definition contained in the UCC shall control.
13. **MODIFICATION.** This sales order can be modified or rescinded only by a writing signed by both parties.
14. **WAIVER.** No claim or right arising out of a breach of this sales order can be discharged in whole or in part by a waiver or renunciation of the claim or right unless such waiver or renunciation is supported by consideration and is in writing signed by the aggrieved party.
15. **ASSIGNMENT.** No right or interest in this sales order shall be assigned by either party without the written consent of the other and no delegation of any obligation owed, or of the performance of any obligation by either the Company or Purchaser shall be made without the written consent of the other party. Any attempted assignment or delegation not made in conformity with this paragraph shall be wholly void and totally ineffective for all purposes.
16. **TIME TO PERFORM AND BRING ACTION.** Time is of the essence of this sales order. Any action for breach of this sales order shall be commenced within two (2) years after the cause of action has accrued. Any party who loses any litigation shall reimburse the other party for costs including reasonable attorneys fees. The exclusive jurisdiction for any legal action shall be the Circuit Court of DeKalb County, Illinois.
17. **APPLICABLE LAW.** This sales order shall be governed by the UCC of Illinois as effective and in force on the date of this sales order.

Offering the Best in Automotive Lift Repair Parts and More!

Auto Lift Cables • Auto Lift Parts • Brake Lathe Repair Parts

Compressed Air Repair Parts • Exhaust System Products • Fluid Delivery Repair Parts

Lubrication Equipment Repair Parts • Repair Parts for Gasboy Consumer Series

Service Station Pump and Tank Products • SVI Misc Auto Lift Products and Catalogs

Tire Changer Repair Parts • Vehicle Lifting Systems • Wheel Balancer Accessories

Serving the Industry Since 1977 • Same-Day Shipping



SVI International, Inc.

(800) 321-8173 • fax: (800) 899-1784

155 Harvestore Drive • DeKalb, IL 60115

www.sviinternational.com

BALTIMORE • CHICAGO • LOS ANGELES

While the utmost care has been used in compiling this reference material, we assume no responsibility for errors. Specifications are subject to change without notice. This edition supersedes all previous editions or issues. SVI reference material is subject to change without notice. All rights reserved.