

# Automotive Lift

R E P A I R P A R T S



**SVI International, Inc.**  
**(800) 321-8173 • fax: (800) 899-1784**  
155 Harvestore Drive • DeKalb, IL 60115  
**[www.sviinternational.com](http://www.sviinternational.com)**

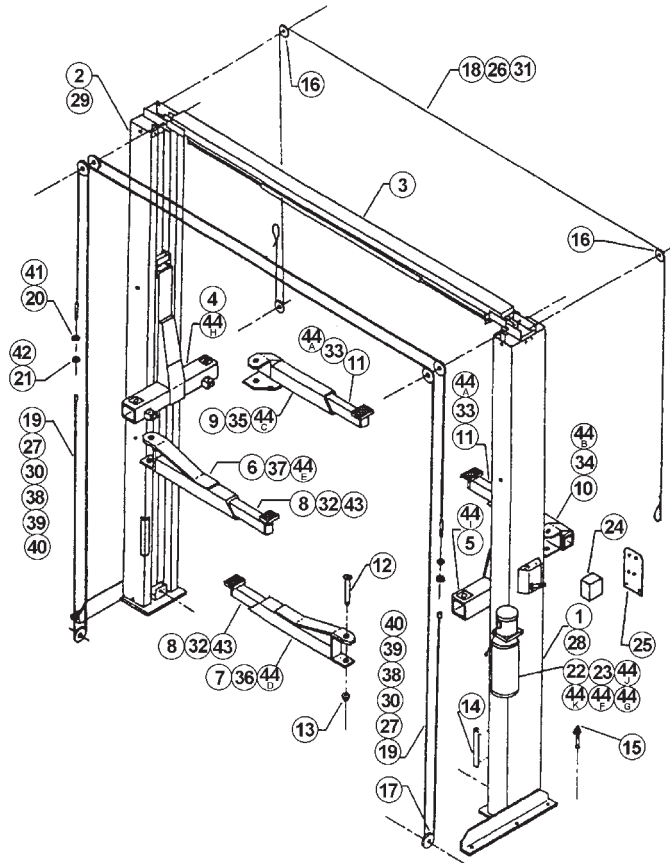
**BALTIMORE • CHICAGO • LOS ANGELES**

**Benwil**

Repair Parts for:

Repair Parts for:  
**Benwil**  
LRC7200K

**GPOA-8 / 8L / 8H, GPOA-9 / 9L / 9H, GPOA-10 / 10L / 10H**



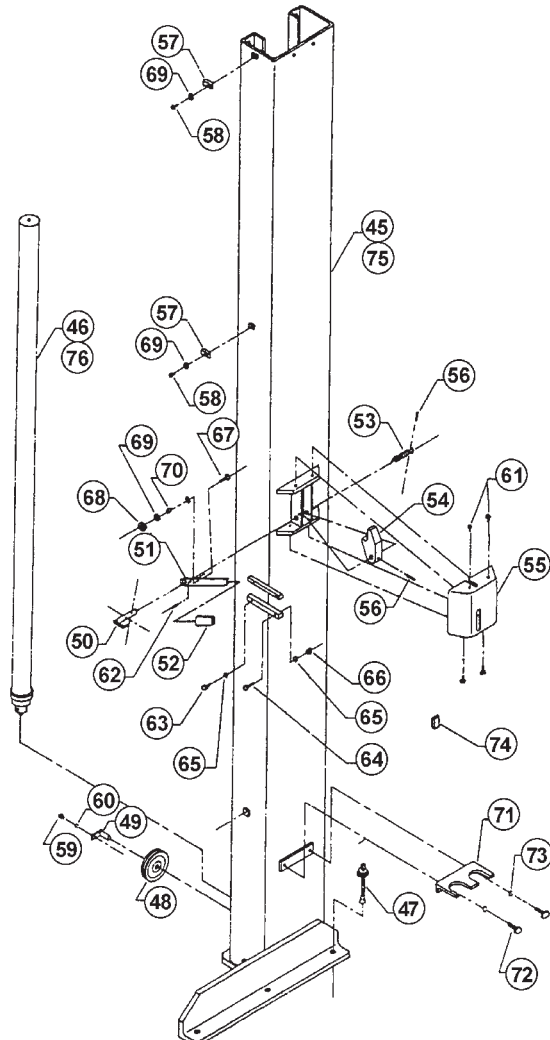
Item	SVI part #	OEM #	Description	9	9H	9L	8	8H	8L	10	10H	10L
1	call for details	300924	RH Column	1	1	--	1	1	--	1	1	--
2	call for details	300776	LH Column	1	1	--	1	1	--	1	1	--
3	BH-7209-55	300749	Overhead Beam	1	1	1	1	1	1	1	1	1
4	call for details	300810-1	Carriage-LH							1	1	1
5	call for details	300810-2	Carriage-RH							1	1	1
6	BH-7207-02	300418-3	Rear Arm LH	1	1	1						
7	BH-7206-73	300418-4	Rear Arm RH	1	1	1						
8	BH-7207-03	300426	Rear Arm Extension	2	2	2						
9	BH-7211-10	301101-2	Front Arm LH	1	1	1						
10	BH-7211-09	301101-1	Front Arm RH	1	1	1						
11	BH-7211-11	300428	Front Arm Extension	2	2	2						
12	<b>BH-7211-01</b>	300238	Pin Arm	4	4	4	4	4	4	4	4	4
13	BH-7211-02	300218-4	Snap Ring	4	4	4	4	4	4	4	4	4
14	BH-7224-142	300568	Bumper Door	2	2	2	2	2	2	2	2	2
15	BH-7224-131	500388	Anchor Bolt Assembly	8	8	8	8	8	8	8	8	8
16	<b>BH-7208-56</b>	300874	Pulley Lock Release	3	3	3	3	3	3	3	3	3
17	<b>BH-7202-007</b>	300731	Pulley	6	6	6	6	6	6	6	6	6
18	BH-7208-51	300849-5	Cable Assy.-Latch Rel. System	1			1			1		
19	BH-7208-73	300806-1	Cable Assy. Sync.	2						2		
20	F-HN-0625-18	5/8"-18 UNF	Hex Head Nut	2	2	2				2	2	2
21	F-JN-0625-18	5/8"-18 UNF	Hex Head Jam Nut	2	2	2				2	2	2
22	BH-7006-01	101098	Elec. Hyd. Pump (1PH)	1	1	1						
23	BH-7006-03	101099	Elec. Hyd. Pump (3PH)	1	1	1						
26	BH-7210-75	300849-7	Cable Assy.-Latch Rel. System		1			1			1	
27	BH-7208-74	300806-3	Cable Assembly-Synchronized		2			2			2	
28	call for details	300924-1	RH Column			1			1			1
29	call for details	300776-1	LH Column			1			1			1
30	BH-7208-75	300806-5	Cable Assembly-Synchronized			2						2
31	call for details	300849-11	Cable Assembly-Latch Rel. Sys.			1			1			1

All names, numbers, symbols and descriptions are used for reference purposes only. It is not implied that any part listed is the product of these manufacturers; however, some parts may be the actual product of these manufacturers.



**GPOA-8 / 8L / 8H, GPOA-9 / 9L / 9H, GPOA-10 / 10L / 10H**

Item	SVI part #	OEM #	Description	9	9H	9L	8	8H	8L	10	10H	10L
32	call for details	301006	Rear Arm Extension				2	2	2			
33	call for details	301010	Front Arm Extension				2	2	2			
34	call for details	301009-2	Front Arm-RH				1	1	1			
35	call for details	301009-1	Front Arm-LH				1	1	1			
36	call for details	301005-2	Rear Arm-RH				1	1	1			
37	call for details	301005-1	Rear Arm-LH				1	1	1			
38	BH-7208-70	300805-4	Cable Assy.-Synchronized				2					
39	BH-7208-72	300805-6	Cable Assy.-Synchronized						2			
40	BH-7208-71	300805-5	Cable Assy.-Synchronized					2				
41	F-HN-0500-20	1/2"-20 UNF	Hex Head Nut				2	2	2			
42	F-JN-0500-20	1/2"-20 UNF	Hex Head Jam Nut				2	2	2			
43	BH-7214-84	301008	Rear Arm Extension							2	2	2
44A	BH-7211-16	301012	Front Arm Extension							2	2	2
44B	call for details	301011-2	Front Arm-RH							1	1	1
44C	call for details	301011-1	Front Arm-LH							1	1	1
44D	BH-7211-92	301007-2	Rear Arm-RH							1	1	1
44E	BH-7211-91	301007-1	Rear Arm-LH							1	1	1
44F	BH-7006-01	101067	Elec. Hyd. Pump (1PH)				1	1	1			
44G	BH-7006-03	101068	Elec. Hyd. Pump (3PH)				1	1	1			
44H	BH-7211-54	301097-1	LH Carriage	1	1	1	1	1	1			
44I	BH-7211-52	301097-2	RH Carriage	1	1	1	1	1	1			
44J	BH-7006-01	101105	Elec. Hyd. Pump (1PH)							1	1	1
44K	BH-7006-03	101106	Elec. Hyd. Pump (3PH)							1	1	1

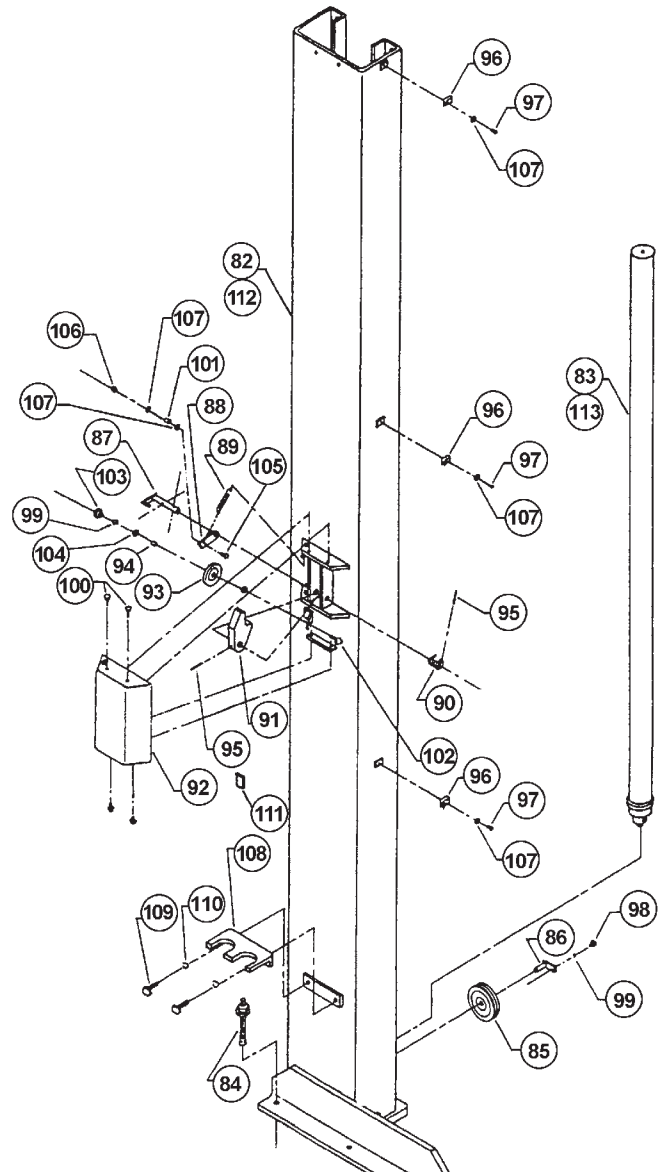


Item	SVI part #	OEM #	Description	8, 8H, 9H 9, 10, 10H	8L 9L, 10L
45	call for details	300924	RH Column	Ref.	--
46	BH-7208-96	301061	Hyd. Cylinder	1	--
	BH-7211-81		Seal Kit		
47	BH-7224-131	500388	Anchor Bolt Assy.	Ref.	Ref.
<b>48</b>	<b>BH-7202-007</b>	<b>300731</b>	<b>Pulley</b>	<b>Ref.</b>	<b>Ref.</b>
49	BH-7209-88	300835	Axle Lower Pulley	1	1
50	BH-7208-43	300840	Rel. Assy. Latch	1	1
51	BH-7208-55	300843	Handle Latch Act.	1	1
52	BH-7224-215	300944	Cover Handle	1	1
53	BH-7202-93	300269	Spring Safety Lock	1	1
54	BH-7211-12	300807	Latch	1	1
55	BH-7208-52	300912	Cover RH Column	1	1
56	F-RP-156-1500	5/32"x1-1/2"	Roll Pin	2	2
57	BH-7211-32	300947	Clamp-Cable	3	3
58	F-MS-0010-24-0312	10-24x5/16"	Phil. Panhd. Screw	3	3
59	F-HC-0250-20-0375	1/4"-20x3/8"	Hex Head Bolt	1	1
60	F-LW-0250	1/4"	Split Lock Washer	1	1
61	F-MS-0010-24-0500	10-24x1/2"	Phil. Panhd. Screw	4	4
62	F-RP-0187	3/16"x1/2"	Roll Pin	1	1
63	F-HC-0312-18-0625	5/16"-18x5/8"	Hex Head Bolt	2	2
64	F-HC-0312-18-1000	5/16"-18x1"	Hex Head Bolt	2	2
65	F-LW_0312	5/16"	Split Lock Washer	4	4
66	F-HN-0312-18	5/16"-18	Hex Head Nut	2	2
67	F-HC-0010-24-1000	10-24x1"	Hex Head Bolt	1	1
68	F-LN-0010-24	10-24	Hex Head Lock Nut	1	1
69	F-FW-0187	3/16"	Flat Washer (USS or SAE)	5	5
70	BH-7210-73	300844	Spacer Cable Conn.	1	1
71	BH-7210-83	300878-3	Brkt.-Trk. Adpt *	1	1
72	F-HC-0250-20-0375	1/4"-20x3/8"	Hex Head Bolt *	2	2
73	F-LW-0250	1/4"	Split Lock Washer *	2	2
74	BH-7224-217	301013	Strip-Polyurethane	1	1
75	call for details	300924-1	RH Column	--	Ref.
76	call for details	301062	Hyd. Cylinder	--	1

## GPOA-8 / 8L / 8H, GPOA-9 / 9L / 9H, GPOA-10 / 10L / 10H

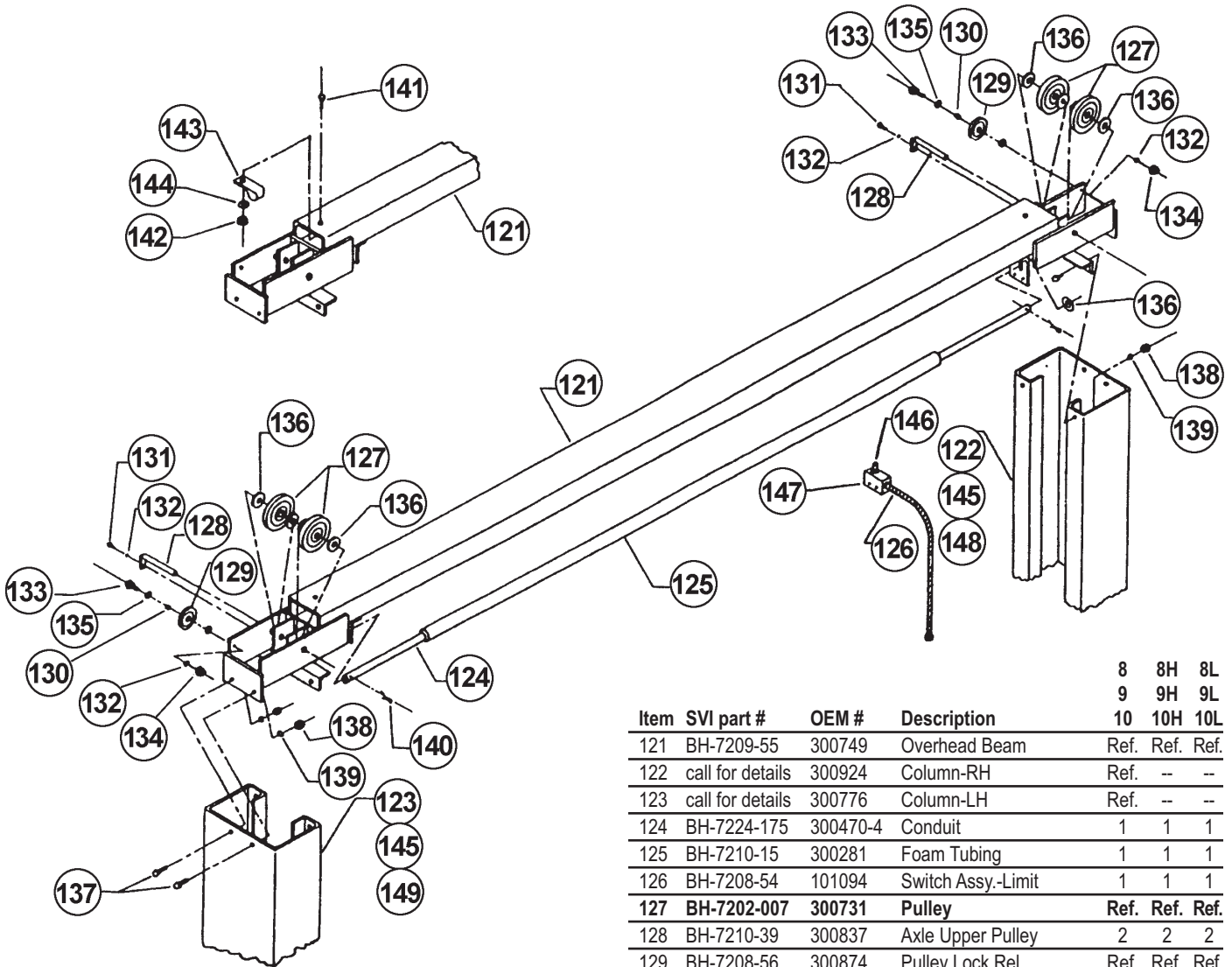
Item	SVI part #	OEM #	Description	8, 8H, 9H	8L
				9, 10, 10 H	9L, 10L
82	call for details	300776	LH Column	Ref.	--
83	BH-7208-96	301061	Hyd. Cylinder	1	--
	BH-7211-81		Seal Kit		
84	BH-7224-131	500388	Anchor Bolt Assy.	Ref.	Ref.
<b>85</b>	<b>BH-7202-007</b>	<b>300731</b>	<b>Pulley</b>	<b>Ref.</b>	<b>Ref.</b>
86	BH-7209-88	300835	Axle Lower Pulley	1	1
87	BH-7208-43	300840	Rel. Assy. Latch	1	1
88	BH-7210-72	300842	Lever Latch Actuator	1	1
89	BH-7213-87	300873	Spring Lock Release	1	1
90	BH-7202-93	300269	Spring Safety Lock	1	1
91	BH-7211-12	300807	Latch	1	1
92	BH-7210-90	300913	Cover LH Column	1	1
93	BH-7208-56	300874	Pulley Lock Release	Ref.	Ref.
94	BH-7208-57	300875	Steel Insert Pulley	1	1
95	F-RP-156-1500	5/32"x1-1/2"	Roll Pin	2	2
96	BH-7211-32	300947	Clamp Cable	3	3
97	F-MS-0010-24-031210-24x5/16"		Phil. Panhd. Screw	3	3
98	F-HC-0250-20-0375 1/4"-20x3/8"		Hex Head Bolt	1	1
99	F-LW-0250	1/4"	Split Lock Washer	2	2
100	F-MS-0010-24-050010-24x1/2"		Phil. Panhd. Screw	4	4
101	BH-7210-73	300844	Spacer-Cable Conn.	1	1
102	F-HC-0250-20-1250 1/4"-20x1-1/4"		Hex Head Bolt (Gr. 5)	1	1
103	F-HN-0250-20	1/4"-20	Hex Head Nut	1	1
104	F-FW-0250-USS	1/4"	Flat Washer (USS)	2	2
105	F-HC-0010-24-100010-24x1"		Hex Head Bolt	1	1
106	F-LN-0010-24	10-24	Hex Head Lock Nut	1	1
107	F-FW-0187	3/16"	Flat Washer (USS or SAE)	5	5
108	BH-7210-83	300878-3	Bracket-Trk. Adapter *	1	1
109	F-HC-0250-20-0375 1/4"-20x3/8"		Hex Head Bolt *	2	2
110	F-LW-0250	1/4"	Split Lock Washer *	2	2
111	BH-7224-217	301013	Poly. Strip	1	1
112	call for details	300776-1	LH Column	--	Ref.
113	call for details	301062	Hyd. Cylinder	--	1

\* Optional





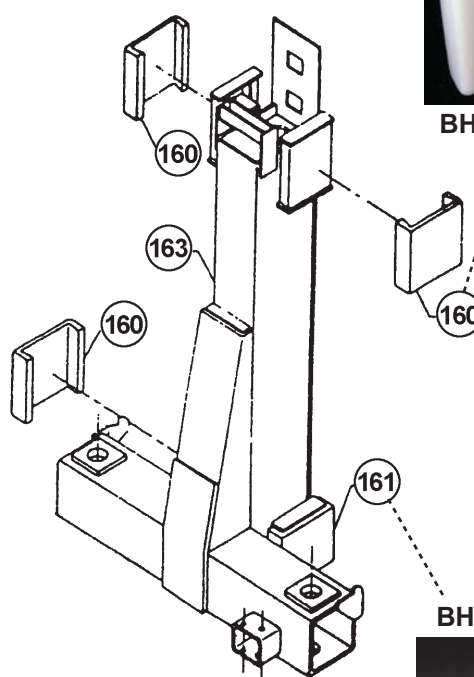
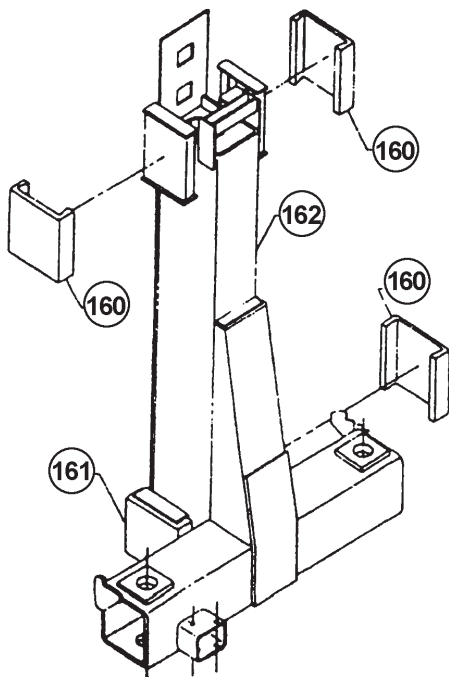
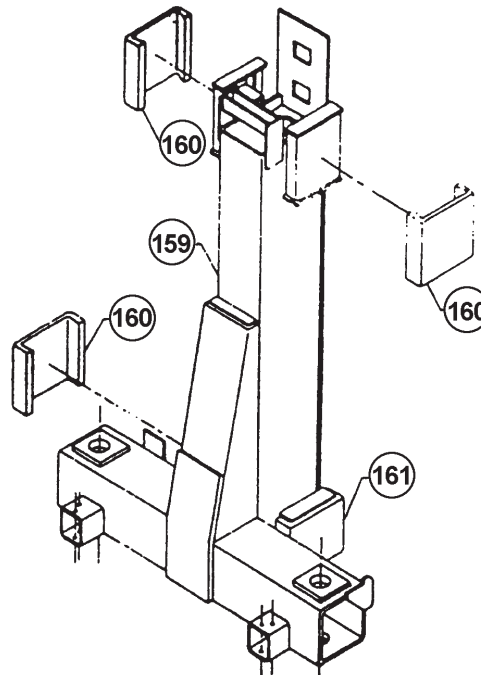
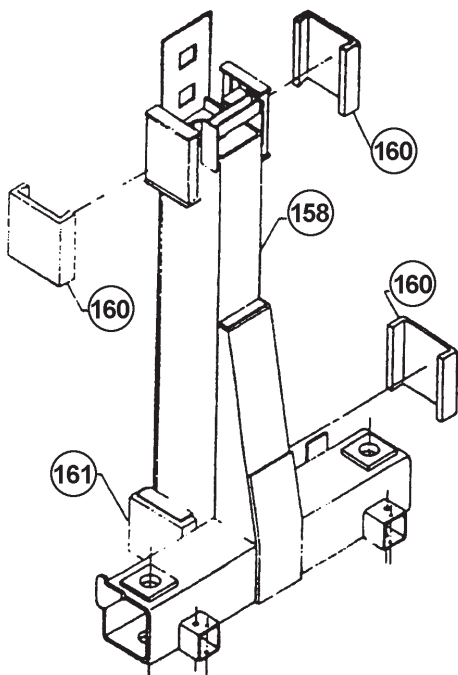
GPOA-8 / 8L / 8H, GPOA-9 / 9L / 9H, GPOA-10 / 10L / 10H



**BH-7206-56** / (OEM 300976)  
Beam Assembly  
Lug Support Low for GPOA

Item	SVI part #	OEM #	Description	8	8H	8L	9	9H	9L	10	10H	10L
121	BH-7209-55	300749	Overhead Beam	Ref.	Ref.	Ref.						
122	call for details	300924	Column-RH	Ref.	--	--						
123	call for details	300776	Column-LH	Ref.	--	--						
124	BH-7224-175	300470-4	Conduit	1	1	1						
125	BH-7210-15	300281	Foam Tubing	1	1	1						
126	BH-7208-54	101094	Switch Assy.-Limit	1	1	1						
127	<b>BH-7202-007</b>	<b>300731</b>	<b>Pulley</b>	Ref.	Ref.	Ref.						
128	BH-7210-39	300837	Axle Upper Pulley	2	2	2						
129	BH-7208-56	300874	Pulley Lock Rel.	Ref.	Ref.	Ref.						
130	BH-7208-57	300875	Steel Insert Pulley	2	2	2						
131	F-HC-0250-20-0375	1/4"-20x3/8"	Hex Head Bolt	2	2	2						
132	F-LW-0250	1/4"	Split Lock Washer	4	4	4						
133	F-HC-0250-20-1250	1/4"-20x1-1/4"	Hex Head Bolt (Gr. 5)	2	2	2						
134	F-HN-0250-20	1/4"-20	Hex Head Nut	2	2	2						
135	F-FW-0250-USS	1/4"	Flat Washer (USS)	4	4	4						
136	F-FW-0750-SAE	3/4"	Flat Washer (SAE) 9/64	9	9	9						
137	F-HC-0437-14-1250	7/16"-14x1-1/4"	Hex Head Bolt	8	8	8						
138	F-HN-0437-14	7/16"-14	Hex Head Nut	8	8	8						
139	F-LW-0437	7/16"	Split Lock Washer	8	8	8						
140	F-CP-125-1000	1/8"x1"	Cotter Pin	2	2	2						
141	F-HC-0010-24-1000	10-24x1"	Hex Head Bolt	2	2	2						
142	F-HN-0010-24	10-24	Hex Head Nut	2	2	2						
143	BH-7211-32	300947	Cable Clamp	2	2	2						
144	F-FW-0187	3/16"	Flat Washer (USS or SAE)	2	2	2						
145	BH-7210-80	300868	Ext. Assy.-Column	--	2	--						
146	BH-7209-54	300282	Micro-Switch	1	1	1						
147	BH-7209-87	300283	Enclosure Switch	1	1	1						
148	call for details	300924-1	RH Column	--	--	Ref.						
149	call for details	300776-1	LH Column	--	--	Ref.						

**GPOA-8 / 8L / 8H, GPOA-9 / 9L / 9H, GPOA-10 / 10L / 10H**



**BH-7216-01**



**BH-7216-02**

Item	SVI part #	OEM #	Description	10, 10L 10H	8, 8L, 8H 9, 9L, 9H
158	call for details	300810-1	Carriage LH	Ref.	--
159	call for details	300810-2	Carriage RH	Ref.	--
160	<b>BH-7216-01</b>	300866	Slide	6	6
161	<b>BH-7216-02</b>	300867	Slide	2	2
162	BH-7211-54	301097-1	Carriage LH	--	Ref.
163	BH-7211-52	301097-2	Carriage RH	--	Ref.

All names, numbers, symbols and descriptions are used for reference purposes only. It is not implied that any part listed is the product of these manufacturers; however, some parts may be the actual product of these manufacturers.



**GPOA-8 / 8L / 8H, GPOA-9 / 9L / 9H, GPOA-10 / 10L / 10H**



**BH-7207-09  
GPOA-10 • RF/LR**



**BH-7207-08  
GPOA-10 • LF/RR**

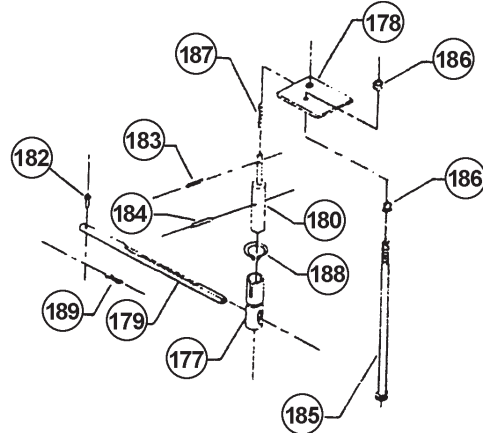


**BH-7207-10  
GPOA8/9 • LF/RR Kit**

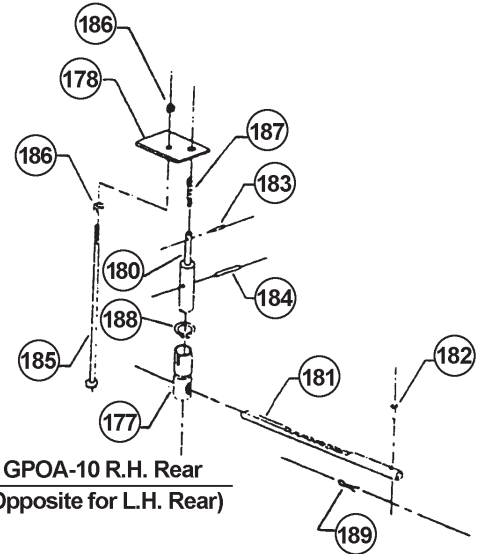


**BH-7207-11  
GPOA8/9 • RF/LR Kit**

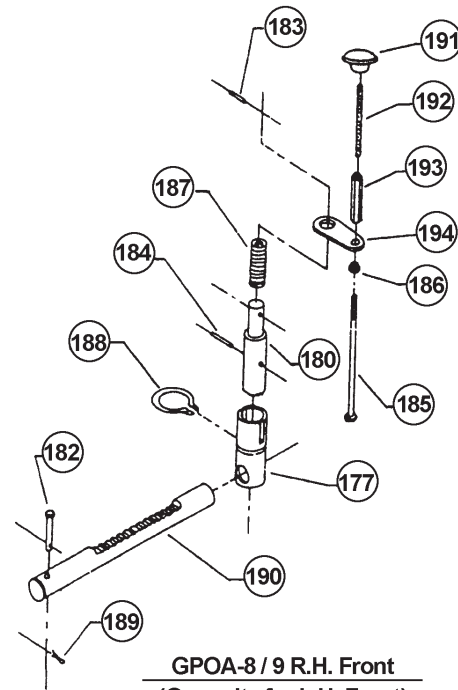
**Arm Restraint Kits**



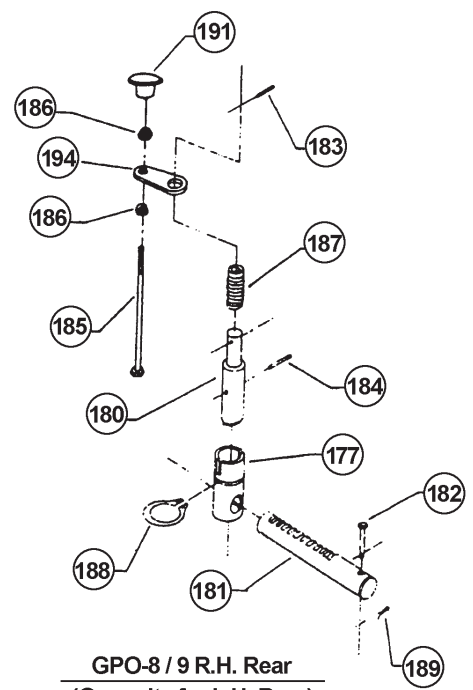
**GPOA-10 R.H. Front  
(Opposite for L.H. Front)**



**GPOA-10 R.H. Rear  
(Opposite for L.H. Rear)**



**GPOA-8 / 9 R.H. Front  
(Opposite for L.H. Front)**



**GPO-8 / 9 R.H. Rear  
(Opposite for L.H. Rear)**

Item	SVI part #	OEM #	Description	10	8, 9
177	BH-7206-50	300214	Supt. Tube Lock Bar	4	4
178	BH-7206-51	300215	Link Arm Restraint	4	--
179	BH-7208-23	300216-7	Rest. Bar Front Arm	2	--
180	BH-7208-02	300217	Restraint Pin Arm	4	4
181	BH-7208-28	300216-5	Rest. Bar Rear Arm	2	2
182	BH-7208-06	300136	Clevis Pin	4	4
183	F-RP-125-0750	1/8"x3/4"	Roll Pin	4	4
184	F-RP-187-1125	3/16"x1-1/8"	Roll Pin	4	4
185	F-HC-0375-16-5500	3/8"-16x5-1/2"	Hex Head Bolt	4	4

Item	SVI part #	OEM #	Description	10	8, 9
186	F-LN-0375-16	3/8"-16	Nylon Lock Nut	8	6
187	BH-7208-08	300222	Spring Arm Lock	4	4
188	BH-7208-05	300218-2	Snap Ring	4	4
189	F-CP-125-1000	1/8"x1"	Cotter Pin	4	4
190	BH-7208-58	300216-9	Arm Restraint Bar	--	2
191	BH-7208-36	300284	Arm Lock Rel. Knob	--	4
192	BH-7208-33	300271	Arm Release Rod	--	2
193	BH-7208-35	300573	Coupling Nut	--	2
194	BH-7208-67	301076	Arm Restraint Rel. Bar	--	4



**TERMS AND CONDITIONS OF THE  
SALES ORDER  
FOR SVI INTERNATIONAL, INC.**

1. **GENERAL.** The terms and conditions of sales order outlined herein shall apply to the sale by SVI INTERNATIONAL, INC. (hereinafter referred to as "Company") of the items described on the facing page (hereinafter referred to as "Merchandise") to Purchaser.
2. **DELIVERY.** Delivery shall be deemed to be complete when the Merchandise has been shipped F.O.B. Company's plants in DeKalb, Illinois, Duarte, California; and Baltimore, Maryland ("Company's plants"). Shipments are subject to delays from causes or contingencies beyond the reasonable control of the Company. When otherwise not specified, shipments will be made in standard containers via carrier which, in the judgment of the Company, will result in the most practical method. Title and right of possession will pass to the Purchaser upon receipt by the carrier at the shipping point. If a customer of the Company should specify a specific carrier's method of shipment (i.e. UPS Next Day Air) and that carrier does not perform to the customer's expectations, freight credit to a customer's account will not be issued unless the Company can first obtain a credit.
3. **RISK OF LOSS.** Identification of the Merchandise under Uniform Commercial Code (hereinafter referred to as "UCC") Section 2-501 shall take place at the moment of shipment F.O.B. Company's plants. Risk of loss shall pass to the Purchaser when the Merchandise is shipped from the Company's plants.
4. **TITLE.** Title to the merchandise shall transfer to the Purchaser when the Merchandise is shipped from the Company's plants.
5. **WARRANTIES.** The Company guarantees its products to be free from defects in workmanship and raw materials for a period of one year from date of purchase. THIS WARRANTY IS EXPRESSLY IN LIEU OF ANY AND ALL WARRANTIES EXPRESS OR IMPLIED. COMPANY DOES NOT WARRANT THE MERCHANDISE IS MERCHANTABLE OR FIT FOR ANY PARTICULAR PURPOSE. Company's liability for breach of the terms of this Agreement, including any warranty, is limited to either refund of the invoice price of the Merchandise or at Company's option, replacement of the Merchandise free of charge, including transportation charges but not including the cost of labor. Purchaser has not relied on any statement or upon the conduct of Company with respect to the prospective use of the merchandise. Company shall not be liable for and Purchaser waives any and all claims for any loss or damage, directly or indirectly, arising from the use of the Merchandise and for punitive, incidental or consequential damages, including, but not limited to, damages to property, for loss of use, loss of time, loss of profit or loss of income. The Company does not authorize the sale of our products under any other warranty, expressed or implied.
6. **SETOFF.** All claims for money due or to become due from the Company shall be subject to deduction by the Company for any setoff or counterclaim arising out of this or any other claims of the Company or its affiliated companies, whether such setoff or counterclaim arose before or after any assignment by Purchaser.
7. **INDEMNIFICATION.** Purchaser agrees to indemnify the Company and hold it harmless from and against all claims, liability, loss, damage or expense, including reasonable counsel fees, arising from or by reason of any modifications or alterations made by Purchaser. If a customer of the Company modifies or alters any part, in any manner whatsoever, or uses any part in departure from recommended performance specifications, said customer agrees to indemnify and hold the Company harmless from and against all liability and expenses based on damage to property or injury to or death of any person arising out of or attributable to such modified or altered part. Further, the Company will not accept any such modified or altered part for credit to a customer's account.
8. **FREIGHT POLICY.** Freight charges on individual orders less than \$3,000 in net value are prepaid and added to invoice or collect F.O.B. shipping point. Freight charges (standard ground service and continental US only) on individual orders more than \$3,000 net value are paid by the Company F.O.B. shipping point. Note: customers with C.O.D. terms are responsible for all carrier C.O.D. fees regardless of order net value.
9. **RETURN POLICY.** To return parts for credit or inspection Purchaser must first contact the Company to obtain a Return Goods Authorization number (RGA#). Once Purchaser has obtained an RGA# the parts can be returned freight prepaid only. The RGA# must be on the outside of the container in a highly visible location. All parts must be returned freight prepaid and the shipment must include a letter of explanation giving the specific reason for return including details as to the conditions under which the part or parts operated. Note: parts returned without an RGA#, freight collect or without written explanation may be refused. Parts which have been used in any way or manner, including any installation or incorporation into a lift or hoist, shall NOT be eligible for return whether or not an RGA has been assigned.
10. **RESTOCK CHARGE.** Returns are subject to up to twenty-five (25%) restocking charge. Refusals are subject to the same restocking charge plus the cost of outbound and return freight charges and/or fees incurred by the Company due to shipment refusal.
11. **PRICES AND PAYMENTS.** All prices are subject to change without notice. All prices are F.O.B. shipping point. The Company standard terms are net 30 days, C.O.D. company check, C.O.D. cash, VISA, MasterCard, Discover or American Express. However, if in the judgment of the Company, the financial condition of the Purchaser at any time does not justify shipment according to standard terms of payment, the Company may require full or partial payment in advance.
12. **INTERPRETATION.** This sales order is intended by the parties as a complete and exclusive statement of the terms of their agreement. It supersedes all prior agreements, written or oral. No course of prior dealings between the parties and no usage of the trade shall be relevant to supplement or explain any terms used in this sales order. Acceptance or acquiescence in a course of performance rendered under this purchase order shall not be relevant to determine the meaning of this sales order even though the accepting or acquiescing party has knowledge of the nature of the performance and opportunity for objection. Whenever a term defined by the UCC is used in this sales order the definition contained in the UCC shall control.
13. **MODIFICATION.** This sales order can be modified or rescinded only by a writing signed by both parties.
14. **WAIVER.** No claim or right arising out of a breach of this sales order can be discharged in whole or in part by a waiver or renunciation of the claim or right unless such waiver or renunciation is supported by consideration and is in writing signed by the aggrieved party.
15. **ASSIGNMENT.** No right or interest in this sales order shall be assigned by either party without the written consent of the other and no delegation of any obligation owed, or of the performance of any obligation by either the Company or Purchaser shall be made without the written consent of the other party. Any attempted assignment or delegation not made in conformity with this paragraph shall be wholly void and totally ineffective for all purposes.
16. **TIME TO PERFORM AND BRING ACTION.** Time is of the essence of this sales order. Any action for breach of this sales order shall be commenced within two (2) years after the cause of action has accrued. Any party who loses any litigation shall reimburse the other party for costs including reasonable attorneys fees. The exclusive jurisdiction for any legal action shall be the Circuit Court of DeKalb County, Illinois.
17. **APPLICABLE LAW.** This sales order shall be governed by the UCC of Illinois as effective and in force on the date of this sales order.

***Offering the Best in Automotive Lift Repair Parts and More!***

---

Auto Lift Cables • Auto Lift Parts • Brake Lathe Repair Parts

Compressed Air Repair Parts • Exhaust System Products • Fluid Delivery Repair Parts

Lubrication Equipment Repair Parts • Repair Parts for Gasboy Consumer Series

Service Station Pump and Tank Products • SVI Misc Auto Lift Products and Catalogs

Tire Changer Repair Parts • Vehicle Lifting Systems • Wheel Balancer Accessories

---

***Serving the Industry Since 1977 • Same-Day Shipping***



**SVI International, Inc.**

**(800) 321-8173 • fax: (800) 899-1784**

155 Harvestore Drive • DeKalb, IL 60115

**[www.sviinternational.com](http://www.sviinternational.com)**

---

**BALTIMORE • CHICAGO • LOS ANGELES**