

Automotive Lift

R E P A I R P A R T S



SVI International, Inc.
(800) 321-8173 • fax: (800) 899-1784
155 Harvestore Drive • DeKalb, IL 60115
www.sviinternational.com

BALTIMORE • CHICAGO • LOS ANGELES

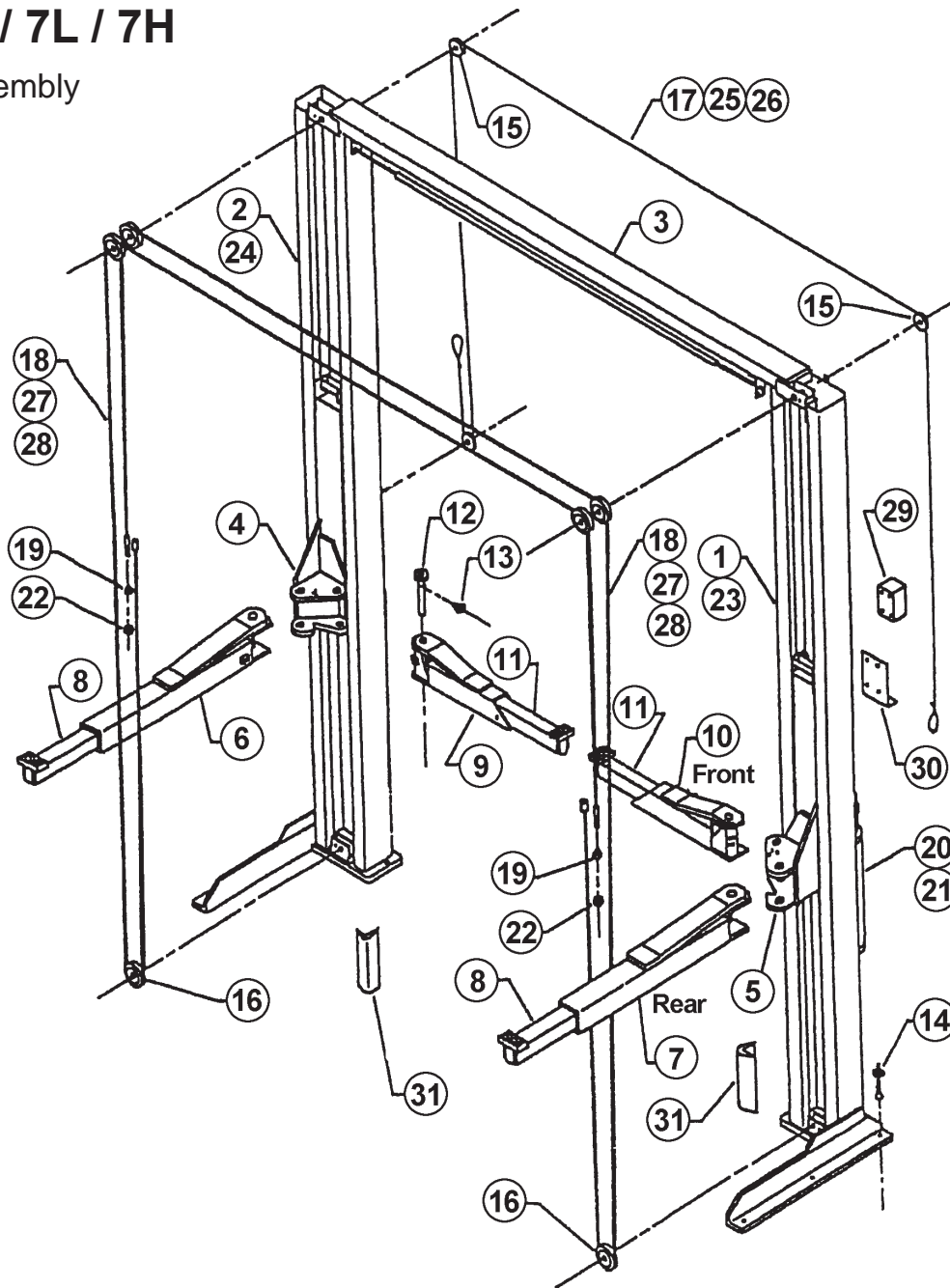
Repair Parts for: **Benwil**

Repair Parts for:
Benwil
LRC7200K



GPOA-7 / 7L / 7H

General Assembly



Item	SVI part #	OEM #	Description	7	7L	7H
1	BH-7224-209	300920	R.H. Column	1	--	1
2	BH-7224-210	300833	L.H. Column	1	--	1
3	BH-7224-211	300739	Overhead Beam	1	1	1
4	BH-7210-21	300822-1	Carriage L.H.	1	1	1
5	BH-7210-20	300822-2	Carriage R.H.	1	1	1
6	BH-7208-63	300323-1	Rear Arm-L.H.	1	1	1
7	BH-7208-60	300323-2	Rear Arm-R.H.	1	1	1
8	BH-7207-45	300201-7	Rear Arm Ext.	2	2	2
9	BH-7207-72	300556-1	Front Arm-L.H.	1	1	1
10	BH-7207-73	300556-2	Front Arm-R.H.	1	1	1
11	BH-7211-39	300915	Front Arm Ext.	2	2	2
12	BH-7208-61	300566	Pin-Arm	4	4	4
13	BH-7207-49	300218-13	Snap Ring	4	4	4
14	BH-7224-131	500388	Anchor Bolt Assembly	8	8	8
15	BH-7208-56	300874	Pulley Lock Rel.	3	3	3
16	BH-7202-007	300731	Pulley	6	6	6
17	BH-7209-56	300849-1	Cable Assy.-Latch Rel. Sys.	1	--	--

Item	SVI part #	OEM #	Description	7	7L	7H
18	BH-7208-32	300805-1	Cable Assy. Sync.	2	--	--
19	F-HN-0500-20	1/2"-20	Hex Head Nut	2	2	2
20	BH-7006-01	101067	Elect.-Hyd. Pump (1PH)	1	1	1
21	BH-7006-03	101068	Elect.-Hyd. Pump (3PH)*	1	1	1
22	F-JN-0500-20	1/2"-20	Hex Head Jam Nut	2	2	2
23	BH-7224-212	300920-1	R.H. Column	--	1	--
24	BH-7224-213	300833-1	L.H. Column	--	1	--
25	BH-7210-76	300849-9	Cable Assy.-Lat. Rel. Sys.	--	1	--
26	BH-7210-74	300849-3	Cable Assy.-Lat. Rel. Sys.	--	--	1
27	BH-7208-68	300805-2	Cable Assy.-Synch.	--	2	--
28	BH-7208-69	300805-3	Cable Assy.-Synch.	--	--	2
29	BH-7211-26	100998	3PH Contractor *	1	1	1
30	BH-7224-214	300993	Bracket 3PH Contractor *	1	1	1
31	BH-7224-142	300568	Bumper-Corner	2	2	2

* Optional

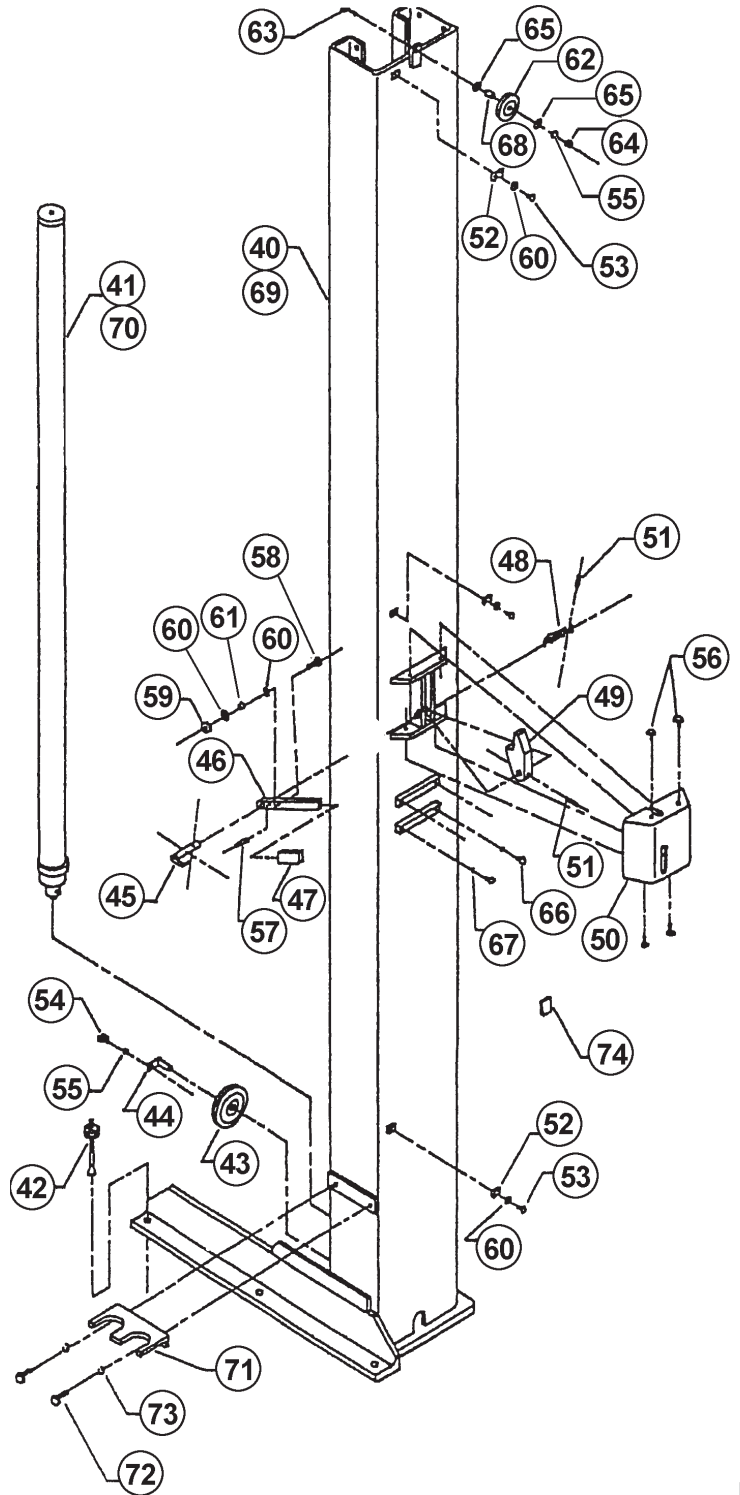


GPOA-7 / 7L / 7H

General Assembly

Item	SVI part #	OEM #	Description	7	7L	7H
40	BH-7224-209	300920	Column-RH	Ref.	--	Ref.
41	BH-7207-55	300718	Hydraulic Cylinder	1	--	1
42	BH-7224-131	500388	Anchor Bolt Assembly	Ref.	Ref.	Ref.
43	BH-7202-007	300731	Pulley	Ref.	Ref.	Ref.
44	BH-7209-88	300835	Axle-Lower Pulley	1	1	1
45	BH-7208-43	300840	Release Assy.-Latch	1	1	1
46	BH-7208-55	300843	Handle-Latch Act.	1	1	1
47	BH-7224-215	300944	Cover-Handle	1	1	1
48	BH-7202-93	300269	Spring-Safety Lock	1	1	1
49	BH-7211-12	300807	Latch	1	1	1
50	BH-7208-52	300912	Cover-RH Column	1	1	1
51	F-RP-156-1500	5/32 x 1-1/2"	Roll Pin	2	2	2
52	BH-7211-32	300947	Clamp Cable	3	3	3
53	F-MS-0010-25-0312	10-24 x 5/16" Phil. Pnhd. Screw		3	3	3
54	F-HC-0250-20-0375	1/4"-20 x 3/8" Hex Head Bolt		1	1	1
55	F-LW-0250	1/4"	Split Lock Washer	2	2	2
56	F-MS-0010-24-0500	10-24 x 1/2"	Phil Pnhd. Screw	4	4	4
57	F-SP-187-0500	3/16" x 1/2"	Spring Pin	1	1	1
58	F-HC-0010-24-1000	10-24 x 1"	Hex Head Bolt	1	1	1
59	F-NL-0010-24	10-24	Hex Head Lock Nut	1	1	1
60	F-FW-0187	3/16"	Flat Washer (USS or SAE)	5	5	5
61	BH-7210-73	300844	Spacer-Cable Conn.	1	1	1
62	BH-7208-56	300874	Pulley Lock Release	Ref.	Ref.	Ref.
63	F-HC-0250-20-1500	1/4"-20 x 1-1/2"	Hex Hd. Bolt	1	1	1
64	F-HN-0250-20	1/4"-20	Hex Head Nut	1	1	1
65	F-FW-0250-USS	1/4"	Flat Washer	2	2	2
66	F-HC-0312-18-0625	5/16"-18x5/8"	Hex Head Bolt	4	4	4
67	F-LW-0312	5/16"	Split Lock Washer	4	4	4
68	BH-7208-57	300875	Steel Insert-Pulley	1	1	1
69	BH-7224-212	300920-1	Column-RH	--	Ref.	--
70	BH-7224-216	300936	Hydraulic Cylinder	--	1	--
71	BH-7210-82	300878-1	Bracket-Trk. Adpt.*	1	1	1
72	F-HC-0250-20-0375	1/4"-20x3/8"	Hex Head Bolt*	2	2	2
73	F-LW-0250	1/4"	Split Lock Washer*	2	2	2
74	BH-7224-217	301013	Strip-Polyurethane	1	1	1

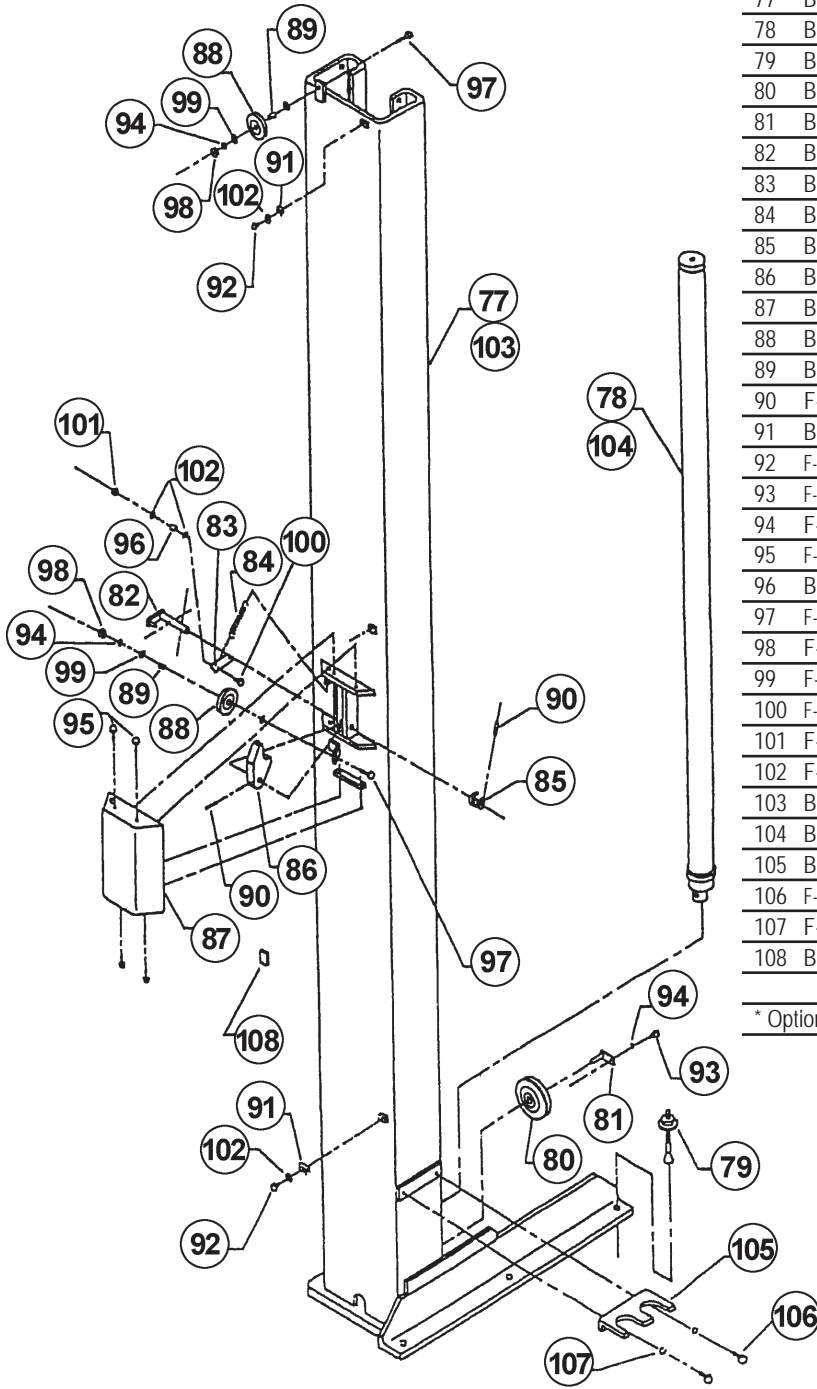
* Optional





GPOA-7 / 7L / 7H

Left Hand Column Assembly



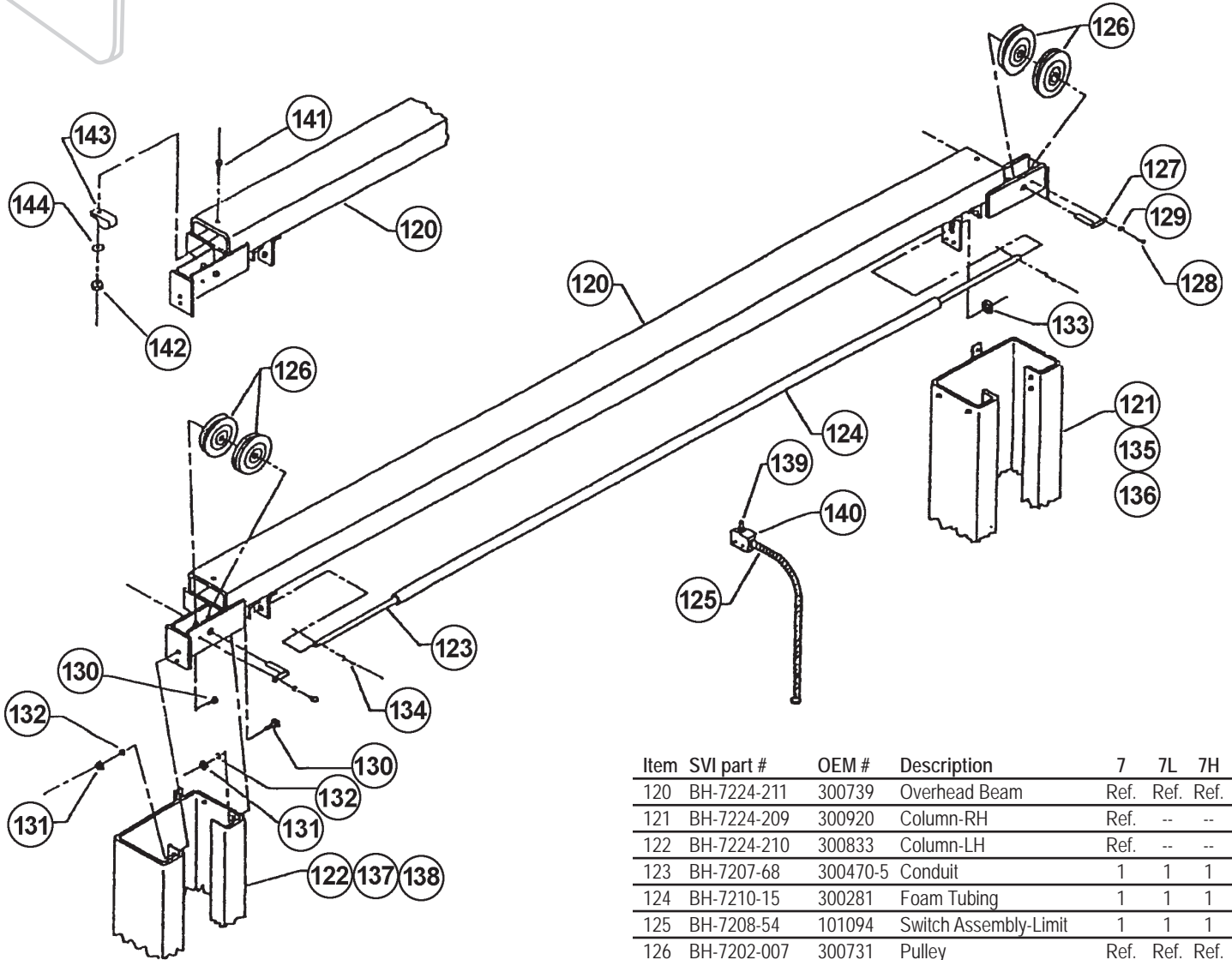
Item	SVI part #	OEM #	Description	7	7L	7H
77	BH-7224-210	300833	Column-LH	Ref.	--	Ref.
78	BH-7208-96	301169	Hydraulic Cylinder	1	--	1
79	BH-7224-131	500388	Anchor Bolt Assembly	Ref.	Ref.	Ref.
80	BH-7202-007	300731	Pulley	Ref.	Ref.	Ref.
81	BH-7209-88	300835	Axle Assy.-Lw. Pulley	1	1	1
82	BH-7208-43	300840	Rel. Assy.-Latch	1	1	1
83	BH-7210-72	300842	Lever-Latch Act.	1	1	1
84	BH-7213-87	300873	Spring Lock Rel.	1	1	1
85	BH-7202-93	300269	Spring-Safety Lock	1	1	1
86	BH-7211-12	300807	Latch	1	1	1
87	BH-7210-90	300913	Cover-LH Column	1	1	1
88	BH-7208-56	300874	Pulley-Lock Rel.	Ref.	Ref.	Ref.
89	BH-7208-57	300875	Steel Insert-Pulley	2	2	2
90	F-RP-156-1500	5/32" x 1-1/2"	Roll Pin	2	2	2
91	BH-7211-32	300947	Clamp-Cable	3	3	3
92	F-MS-0010-24-0312	10-24 x 5/16"	Phil Pnhd. Screw	3	3	3
93	F-HC-0250-20-0375	1/4"-20 x 3/8"	Hex Head Bolt	1	1	1
94	F-LW-0250	1/4"	Split Lock Washer	3	3	3
95	F-MS-0010-24-0500	10-24 x 1/2"	Phil. Pnhd. Screw	4	4	4
96	BH-7210-73	300844	Spacer-Cable Conn.	1	1	1
97	F-HC-0250-20-1500	1/4"-20 x 1-1/2"	Hex Hd. Bolt (Gr. 5)	2	2	2
98	F-HN-0250-20	1/4"-20	Hex Head Nut	2	2	2
99	F-FW-0250-USS	1/4"	Flat Washer (USS)	4	4	4
100	F-HC-0010-24-1000	10-24 x 1"	Hex Head Bolt	1	1	1
101	F-NL-0010-24	10-24	Hex Head Lock Nut	1	1	1
102	F-FW-0187	3/16"	Flat Washer (USS or SAE)	5	5	5
103	BH-7224-213	300833-1	Column-LH	--	Ref.	--
104	BH-7208-96	301169	Hydraulic Cylinder	--	1	--
105	BH-7210-82	300878-1	Bracket-Trk. Adpt. *	1	1	1
106	F-HC-0250-20-0375	1/4"-20 x 3/8"	Hex Head Bolt *	2	2	2
107	F-LW-0250	1/4"	Split Lock Washer *	2	2	2
108	BH-7224-217	301013	Strip-Polyurethane	1	1	1

* Optional



GPOA-7 / 7L / 7H

Overhead Beam Assembly

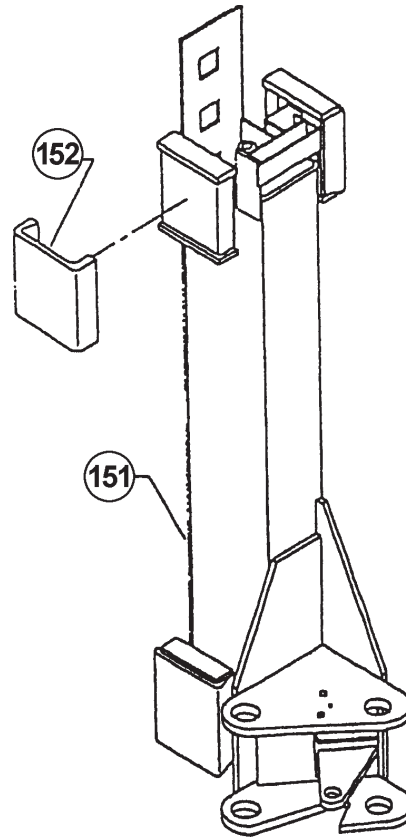
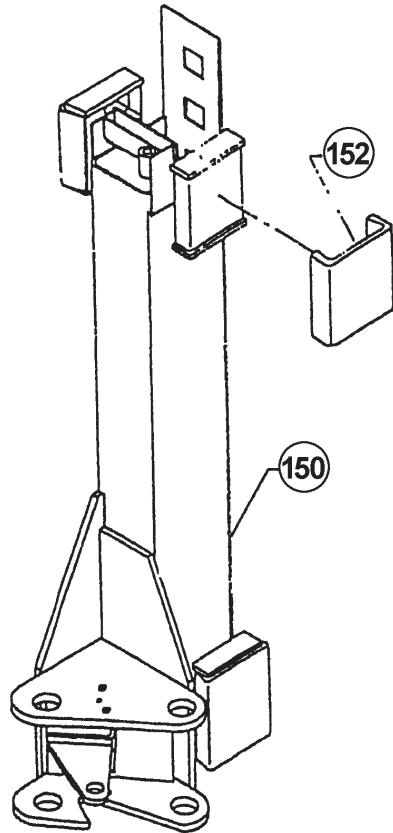


Item	SVI part #	OEM #	Description	7	7L	7H
120	BH-7224-211	300739	Overhead Beam	Ref.	Ref.	Ref.
121	BH-7224-209	300920	Column-RH	Ref.	--	--
122	BH-7224-210	300833	Column-LH	Ref.	--	--
123	BH-7207-68	300470-5	Conduit	1	1	1
124	BH-7210-15	300281	Foam Tubing	1	1	1
125	BH-7208-54	101094	Switch Assembly-Limit	1	1	1
126	BH-7202-007	300731	Pulley	Ref.	Ref.	Ref.
127	BH-7210-71	300836	Axle Assy.-Upper	2	2	2
128	F-HC-0250-20-0375		1/4"-20 x 3/8" Hex Head Bolt	2	2	2
129	F-LW-0250	1/4"	Split Lock Washer	2	2	2
130	F-HC-0437-14-1250	7/16"-14 x 1-1/4"	Hex Head Bolt	8	8	8
131	F-HN-0437-14	7/16"-14	Hex Head Nut	8	8	8
132	F-LW-0437	7/16"	Split Lock Washer	8	8	8
133	F-FW-0750-SAE	3/4"	Flat Washer (SAE)	1	1	1
134	F-CP-125-1000	1/8" x 1"	Cotter Pin	2	2	2
135	BH-7224-212	300920-1	Column-RH	--	Ref.	--
136	BH-7224-218	300937	Ext. Assembly-RH	--	--	1
137	BH-7224-213	300833-1	Column-LH	--	Ref.	--
138	BH-7224-219	300938	Ext. Assembly-LH	--	--	1
139	BH-7209-54	300282	Micro-Switch	1	1	1
140	BH-7209-87	300283	Enclosure Switch	1	1	1
141	F-HC-0010-24-1000	10-24 x 1"	Hex Head Bolt	2	2	2
142	F-HN-0010-24	10-24	Hex Head Nut	2	2	2
143	BH-7211-32	300947	Cable Clamp	2	2	2
144	F-FW-0187	3/16"	Flat Washer (USS or SAE)	2	2	2

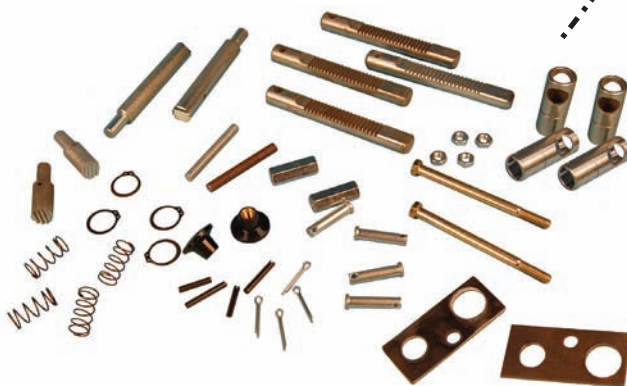
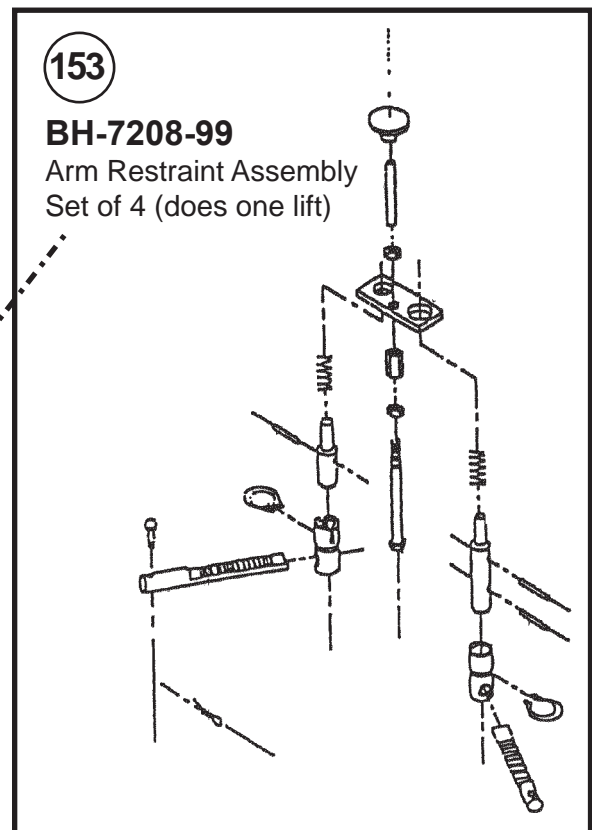


GPOA-7 / 7L / 7H

Carriage Assembly

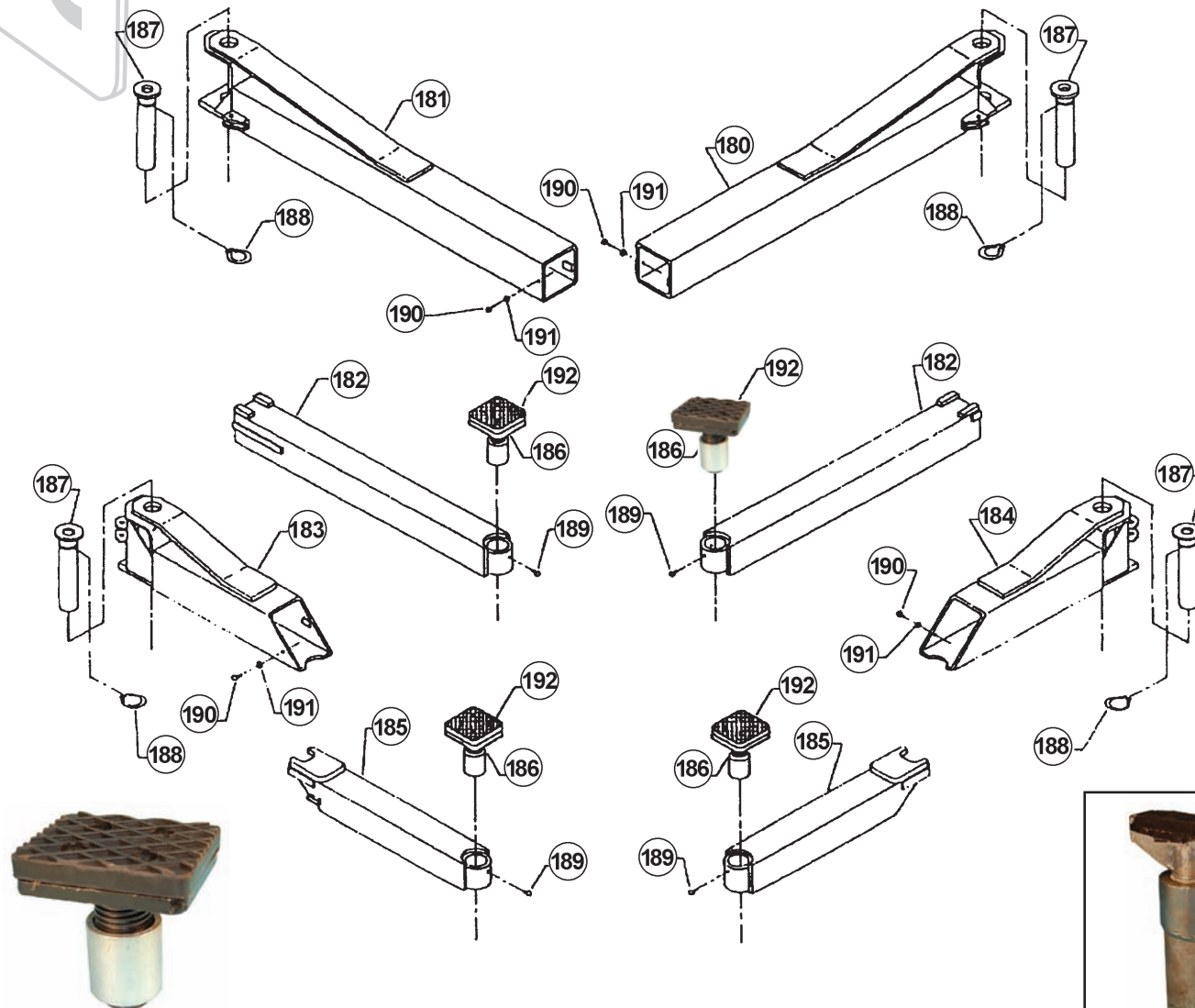


Item	SVI part #	OEM #	Description	7	7L	7H
150	BH-7210-21	300822-1	Carriage-LH	Ref.	Ref.	Ref.
151	BH-7210-20	300822-2	Carriage-RH	Ref.	Ref.	Ref.
152	BH-7216-01	300866	Slide	8	8	8
153	BH-7208-99		Arm Restraint Kit, Set of 4 (does 1 lift)			



GPOA-7 / 7L / 7H

Arm Assembly



186 BH-7209-99



Sold as
BH-7210-03A
Adapter/Pad
Assembly

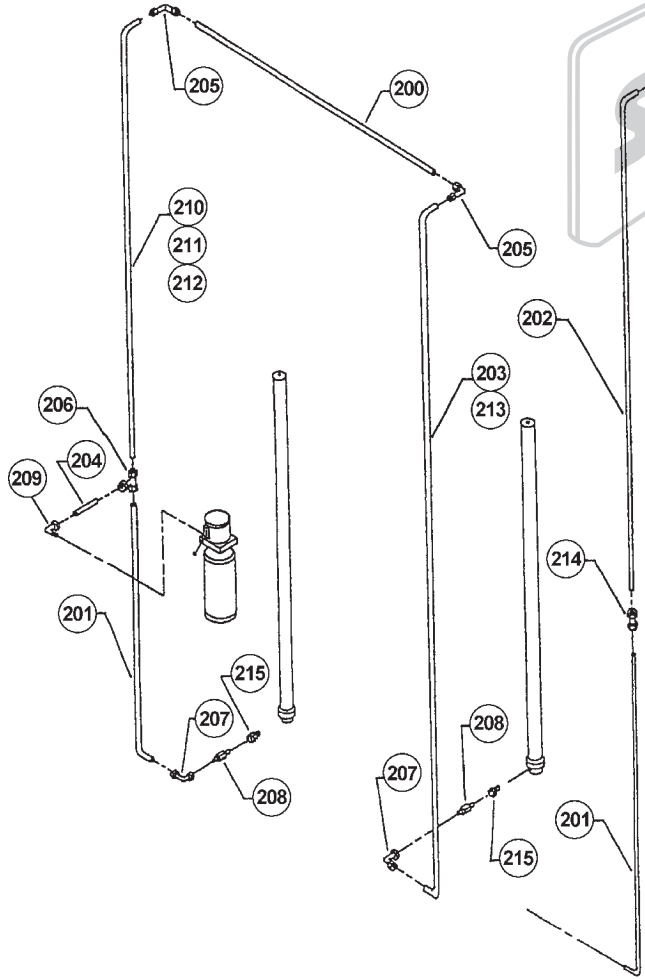
Item	SVI part #	OEM #	Description	7	7L	7H
180	BH-7208-63	300323-1	Rear Arm-LH	Ref.	Ref.	Ref.
181	BH-7208-60	300323-2	Rear Arm-RH	Ref.	Ref.	Ref.
182	BH-7207-45	300201-7	Rear Arm Ext.	Ref.	Ref.	Ref.
183	BH-7207-72	300566-1	Front Arm-LH	Ref.	Ref.	Ref.
184	BH-7207-73	300566-2	Front Arm-RH	Ref.	Ref.	Ref.
185	BH-7211-39	300915	Front Arm Ext.	Ref.	Ref.	Ref.
186	BH-7209-99	100946	Adpt. Assy.-Lift	4	4	4
187	BH-7208-61	300566	Pin-Arm	Ref.	Ref.	Ref.
188	BH-7207-49	300218-13	Snap Ring	Ref.	Ref.	Ref.
189	F-HC-0312-18-0500	5/16"-18 x 1/2"	Hex Head Bolt	4	4	4
190	F-HC-0375-16-0500	3/8"-16 x 1/2"	Hex Head Bolt	4	4	4
191	F-FW-0375-SAE	3/8"	Flat Washer (1/32)	4	4	4
192	BH-7205	100533	Pad	4	4	4
---	BH-7210-03A	B100945	Trk. Adpt. Assembly	Ref.	Ref.	Ref.
---	BH-7210-03	B101005	Trk. Adpt. Assy. Set	Ref.	Ref.	Ref.

SVI "Direct Fit" brand Lift Repair Parts for Benwil lifts.

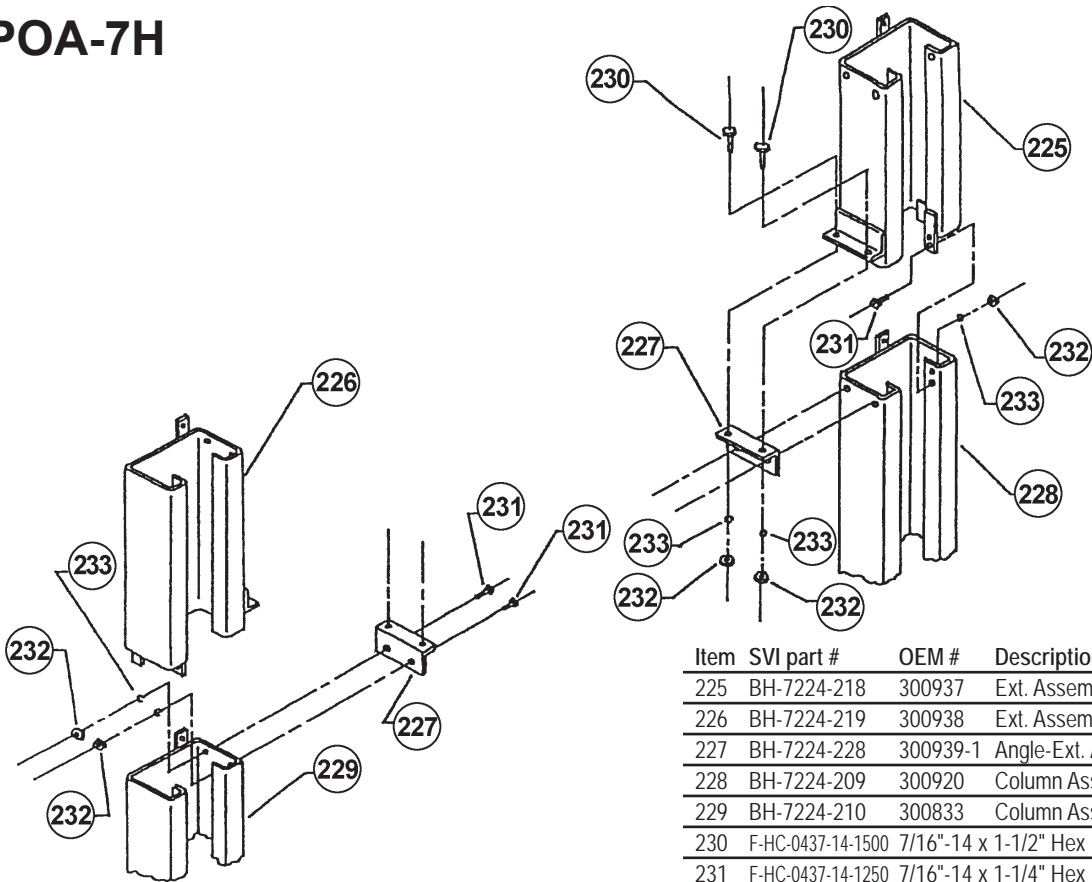
entire contents copyright © 2010 SVI International, Inc.

GPOA-7 / 7L / 7H

Item	SVI part #	OEM #	Description	7	7L	7H
200	BH-7224-222	300958	Hyd. Line-OH Beam	1	1	1
201	BH-7211-33	300959	Hyd. Line-Pump to Hyd. Cyl.	1	1	2
202	BH-7211-20	300960-7	Hyd. Line-Pump to OH Beam	--	--	1
203	BH-7224-223	300961-1	Hyd. Line Cyl. to OH Beam	1	--	--
204	BH-7210-05	300957	Hyd. Line-Pump	1	1	1
205	BH-7211-38	300974	Elbow-Union	2	2	2
206	BH-7210-12	300965	Union Tee	1	1	1
207	BH-7207-60	300390	Elbow	2	2	2
208	BH-7210-89	500389	Nipple-Pipe	2	2	2
209	BH-7210-13	300624	Elbow	1	1	1
210	BH-7224-224	300960-1	Hyd. Line-Pump to OH Beam	1	--	--
211	BH-7224-225	300960-3	Hyd. Line-Pump to OH Beam	--	1	--
212	BH-7224-226	300960-5	Hyd. Line-Pump to OH Beam	--	--	1
213	BH-7224-227	300961-3	Hyd. Line-Hyd. to OH Beam	--	1	--
214	BH-7213-88	300968	Union	--	--	1
215	BH-7206-58	301166	Pipe Adpt.	2	2	2



GPOA-7H



Item	SVI part #	OEM #	Description	7H
225	BH-7224-218	300937	Ext. Assembly-RH	Ref
226	BH-7224-219	300938	Ext. Assembly-LH	Ref.
227	BH-7224-228	300939-1	Angle-Ext. Att.	2
228	BH-7224-209	300920	Column Assembly-RH	Ref.
229	BH-7224-210	300833	Column Assembly-LH	Ref.
230	F-HC-0437-14-1500	7/16"-14 x 1-1/2"	Hex Hd. Bolt	4
231	F-HC-0437-14-1250	7/16"-14 x 1-1/4"	Hex Hd. Bolt	8
232	F-HN-0437-14	7/16"-14	Hex Head Nut	12
233	F-LW-0437	7/16"	Split Lock Washer	12

**TERMS AND CONDITIONS OF THE
SALES ORDER
FOR SVI INTERNATIONAL, INC.**

1. **GENERAL.** The terms and conditions of sales order outlined herein shall apply to the sale by SVI INTERNATIONAL, INC. (hereinafter referred to as "Company") of the items described on the facing page (hereinafter referred to as "Merchandise") to Purchaser.
2. **DELIVERY.** Delivery shall be deemed to be complete when the Merchandise has been shipped F.O.B. Company's plants in DeKalb, Illinois, Duarte, California; and Baltimore, Maryland ("Company's plants"). Shipments are subject to delays from causes or contingencies beyond the reasonable control of the Company. When otherwise not specified, shipments will be made in standard containers via carrier which, in the judgment of the Company, will result in the most practical method. Title and right of possession will pass to the Purchaser upon receipt by the carrier at the shipping point. If a customer of the Company should specify a specific carrier's method of shipment (i.e. UPS Next Day Air) and that carrier does not perform to the customer's expectations, freight credit to a customer's account will not be issued unless the Company can first obtain a credit.
3. **RISK OF LOSS.** Identification of the Merchandise under Uniform Commercial Code (hereinafter referred to as "UCC") Section 2-501 shall take place at the moment of shipment F.O.B. Company's plants. Risk of loss shall pass to the Purchaser when the Merchandise is shipped from the Company's plants.
4. **TITLE.** Title to the merchandise shall transfer to the Purchaser when the Merchandise is shipped from the Company's plants.
5. **WARRANTIES.** The Company guarantees its products to be free from defects in workmanship and raw materials for a period of one year from date of purchase. THIS WARRANTY IS EXPRESSLY IN LIEU OF ANY AND ALL WARRANTIES EXPRESS OR IMPLIED. COMPANY DOES NOT WARRANT THE MERCHANDISE IS MERCHANTABLE OR FIT FOR ANY PARTICULAR PURPOSE. Company's liability for breach of the terms of this Agreement, including any warranty, is limited to either refund of the invoice price of the Merchandise or at Company's option, replacement of the Merchandise free of charge, including transportation charges but not including the cost of labor. Purchaser has not relied on any statement or upon the conduct of Company with respect to the prospective use of the merchandise. Company shall not be liable for and Purchaser waives any and all claims for any loss or damage, directly or indirectly, arising from the use of the Merchandise and for punitive, incidental or consequential damages, including, but not limited to, damages to property, for loss of use, loss of time, loss of profit or loss of income. The Company does not authorize the sale of our products under any other warranty, expressed or implied.
6. **SETOFF.** All claims for money due or to become due from the Company shall be subject to deduction by the Company for any setoff or counterclaim arising out of this or any other claims of the Company or its affiliated companies, whether such setoff or counterclaim arose before or after any assignment by Purchaser.
7. **INDEMNIFICATION.** Purchaser agrees to indemnify the Company and hold it harmless from and against all claims, liability, loss, damage or expense, including reasonable counsel fees, arising from or by reason of any modifications or alterations made by Purchaser. If a customer of the Company modifies or alters any part, in any manner whatsoever, or uses any part in departure from recommended performance specifications, said customer agrees to indemnify and hold the Company harmless from and against all liability and expenses based on damage to property or injury to or death of any person arising out of or attributable to such modified or altered part. Further, the Company will not accept any such modified or altered part for credit to a customer's account.
8. **FREIGHT POLICY.** Freight charges on individual orders less than \$3,000 in net value are prepaid and added to invoice or collect F.O.B. shipping point. Freight charges (standard ground service and continental US only) on individual orders more than \$3,000 net value are paid by the Company F.O.B. shipping point. Note: customers with C.O.D. terms are responsible for all carrier C.O.D. fees regardless of order net value.
9. **RETURN POLICY.** To return parts for credit or inspection Purchaser must first contact the Company to obtain a Return Goods Authorization number (RGA#). Once Purchaser has obtained an RGA# the parts can be returned freight prepaid only. The RGA# must be on the outside of the container in a highly visible location. All parts must be returned freight prepaid and the shipment must include a letter of explanation giving the specific reason for return including details as to the conditions under which the part or parts operated. Note: parts returned without an RGA#, freight collect or without written explanation may be refused. Parts which have been used in any way or manner, including any installation or incorporation into a lift or hoist, shall NOT be eligible for return whether or not an RGA has been assigned.
10. **RESTOCK CHARGE.** Returns are subject to up to twenty-five (25%) restocking charge. Refusals are subject to the same restocking charge plus the cost of outbound and return freight charges and/or fees incurred by the Company due to shipment refusal.
11. **PRICES AND PAYMENTS.** All prices are subject to change without notice. All prices are F.O.B. shipping point. The Company standard terms are net 30 days, C.O.D. company check, C.O.D. cash, VISA, MasterCard, Discover or American Express. However, if in the judgment of the Company, the financial condition of the Purchaser at any time does not justify shipment according to standard terms of payment, the Company may require full or partial payment in advance.
12. **INTERPRETATION.** This sales order is intended by the parties as a complete and exclusive statement of the terms of their agreement. It supersedes all prior agreements, written or oral. No course of prior dealings between the parties and no usage of the trade shall be relevant to supplement or explain any terms used in this sales order. Acceptance or acquiescence in a course of performance rendered under this purchase order shall not be relevant to determine the meaning of this sales order even though the accepting or acquiescing party has knowledge of the nature of the performance and opportunity for objection. Whenever a term defined by the UCC is used in this sales order the definition contained in the UCC shall control.
13. **MODIFICATION.** This sales order can be modified or rescinded only by a writing signed by both parties.
14. **WAIVER.** No claim or right arising out of a breach of this sales order can be discharged in whole or in part by a waiver or renunciation of the claim or right unless such waiver or renunciation is supported by consideration and is in writing signed by the aggrieved party.
15. **ASSIGNMENT.** No right or interest in this sales order shall be assigned by either party without the written consent of the other and no delegation of any obligation owed, or of the performance of any obligation by either the Company or Purchaser shall be made without the written consent of the other party. Any attempted assignment or delegation not made in conformity with this paragraph shall be wholly void and totally ineffective for all purposes.
16. **TIME TO PERFORM AND BRING ACTION.** Time is of the essence of this sales order. Any action for breach of this sales order shall be commenced within two (2) years after the cause of action has accrued. Any party who loses any litigation shall reimburse the other party for costs including reasonable attorneys fees. The exclusive jurisdiction for any legal action shall be the Circuit Court of DeKalb County, Illinois.
17. **APPLICABLE LAW.** This sales order shall be governed by the UCC of Illinois as effective and in force on the date of this sales order.

Offering the Best in Automotive Lift Repair Parts and More!

Auto Lift Cables • Auto Lift Parts • Brake Lathe Repair Parts

Compressed Air Repair Parts • Exhaust System Products • Fluid Delivery Repair Parts

Lubrication Equipment Repair Parts • Repair Parts for Gasboy Consumer Series

Service Station Pump and Tank Products • SVI Misc Auto Lift Products and Catalogs

Tire Changer Repair Parts • Vehicle Lifting Systems • Wheel Balancer Accessories

Serving the Industry Since 1977 • Same-Day Shipping



SVI International, Inc.

(800) 321-8173 • fax: (800) 899-1784

155 Harvestore Drive • DeKalb, IL 60115

www.sviinternational.com

BALTIMORE • CHICAGO • LOS ANGELES

While the utmost care has been used in compiling this reference material, we assume no responsibility for errors. Specifications are subject to change without notice. This edition supersedes all previous editions or issues. SVI reference material is subject to change without notice. All rights reserved.