

# Automotive Lift

R E P A I R P A R T S



**SVI International, Inc.**  
**(800) 321-8173 • fax: (800) 899-1784**  
155 Harvestore Drive • DeKalb, IL 60115  
**[www.sviinternational.com](http://www.sviinternational.com)**

**BALTIMORE • CHICAGO • LOS ANGELES**

Repair Parts for: **Benwil**

Repair Parts for:  
**Benwil**  
LRC7200K



Insist on only SVI "Direct Fit" brand Lift Repair Parts.  
 entire contents copyright © 2010 SVI International, Inc.

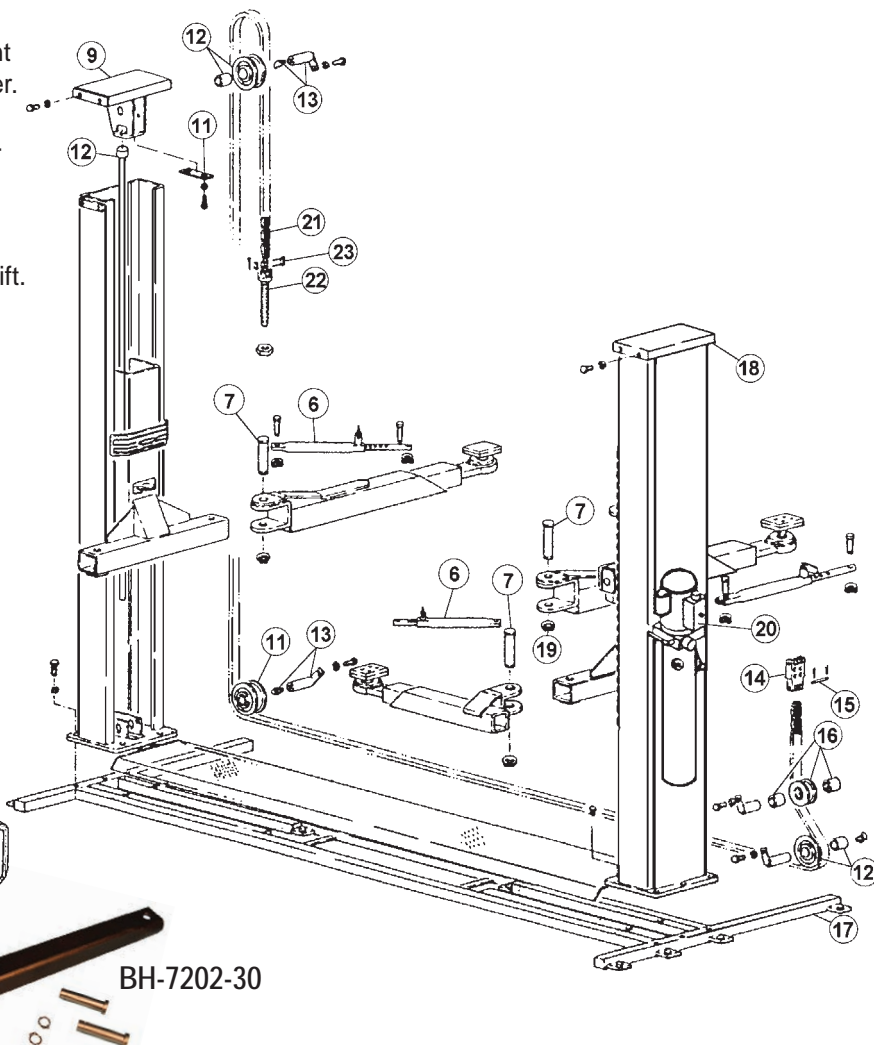
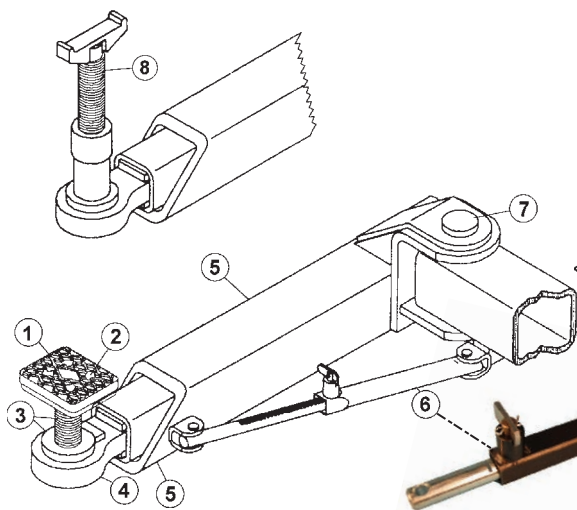
# Grand Prix Series Models: GP-55, GP-7 / 7W, Bishamon SP7, NP7

## Carriage and Arm Assembly Components

On all Benwil Grand Prix Series Lifts it is important that the serial number be given at the time of order. In mid-1988, these lifts began being made in the United States. Prior to this, they were made in Japan. The lift design did not change but some of the parts are different.

A "B" in the serial number indicates a U.S. made lift.

In the part numbers listed below the Bishamon listed part number in the U.S. made lift or "B" style lift. The Benwil listed part numbers are the Japanese models.



BH-7202-30

Item	SVI part #	Benwil Part #	Bishamon Part #	Description
1	BH-7205	205175	SP710002	Rubber Arm Pad
2	BH-7205-01	90940812	XFS04	Round Head Screw
3	BH-7205-02	00102500	LAE00000	Pick Up Pad Assembly
4	BH-7205-05	00100400		Short Slide Arm (GP-55)
4	BH-7205-06	00099640	SP732000	Short Slide Arm (GP-7, SP7)
4	BH-7205-07	00100500		Long Slide Arm (GP-55)
4	BH-7205-08	00099780	SP712000	Long Slide Arm (GP-7, SP7)
5	BH-7205-11	00102961		Short Arm R (GP-55)
5	BH-7205-11A	00102481	SP731000	Short Lift Arm (Right)
5	BH-7205-09	00103001		Short Arm L (GP-55)
5	BH-7205-09A	00102541	SP741000	Short Lift Arm (Left)
5	BH-7202-32	00103041		Long Arm R (GP-55)
5	BH-7202-32A	00102581	SP711000	Long Lift Arm (Right)
5	BH-7205-10	00103181		Long Arm L (GP-55)
5	BH-7205-10A	00102621	SP721000	Long Lift Arm (Left)
6	BH-7200-10A	00043882		Swing Arm Lock Assy. 12-5/8"
6	BH-7202-30	30102640	SP750000	Arm Restraint Assy. Short 10-5/8"
7	BH-7201-12	00099660	SP713000	Lift Arm Pin
8	BH-7201-81		TA-7	Truck Height Adapter

Item	SVI part #	Benwil Part #	Bishamon Part #	Description
9	BH-7201-60		SP220000	Slave Post Cover
10	BH-7201-82	11320040	SP230000	Safety Bar
11	BH-7201-83		SP200001	Safety Bar Stop
12	BH-7202-00	00098630	AS2	Chain Wheel B Assy.
13	BH-7201-00A	00098420	AS3	Chain Wheel Shaft Assy.
14	BH-7201-02	11316500	SP600002	Carriage Chain Plate
15	BH-7201-03	51311090	51311090	Chain Fitting Pin
16	BH-7201-84	00098610	AS1	Sub Chain Wheel Assembly
17	BH-7201-85		SP910000	Base (GP, SP)
18	BH-7201-86	00099060	SP120000	Drive Post Cover
19	F-RR-1562		XFR08	Retaining Ring 1-9/16"
20	BH-7006-01	AB-1043-A	XE001	Single Phase Power Unit
21	BH-7030 *	80835431	XC003	Leaf Chain-Verify Type
22	BH-7202-25	11317180	SP800004	Chain Adjuster
23	BH-7030-01	80839455	80839455	Connecting Link

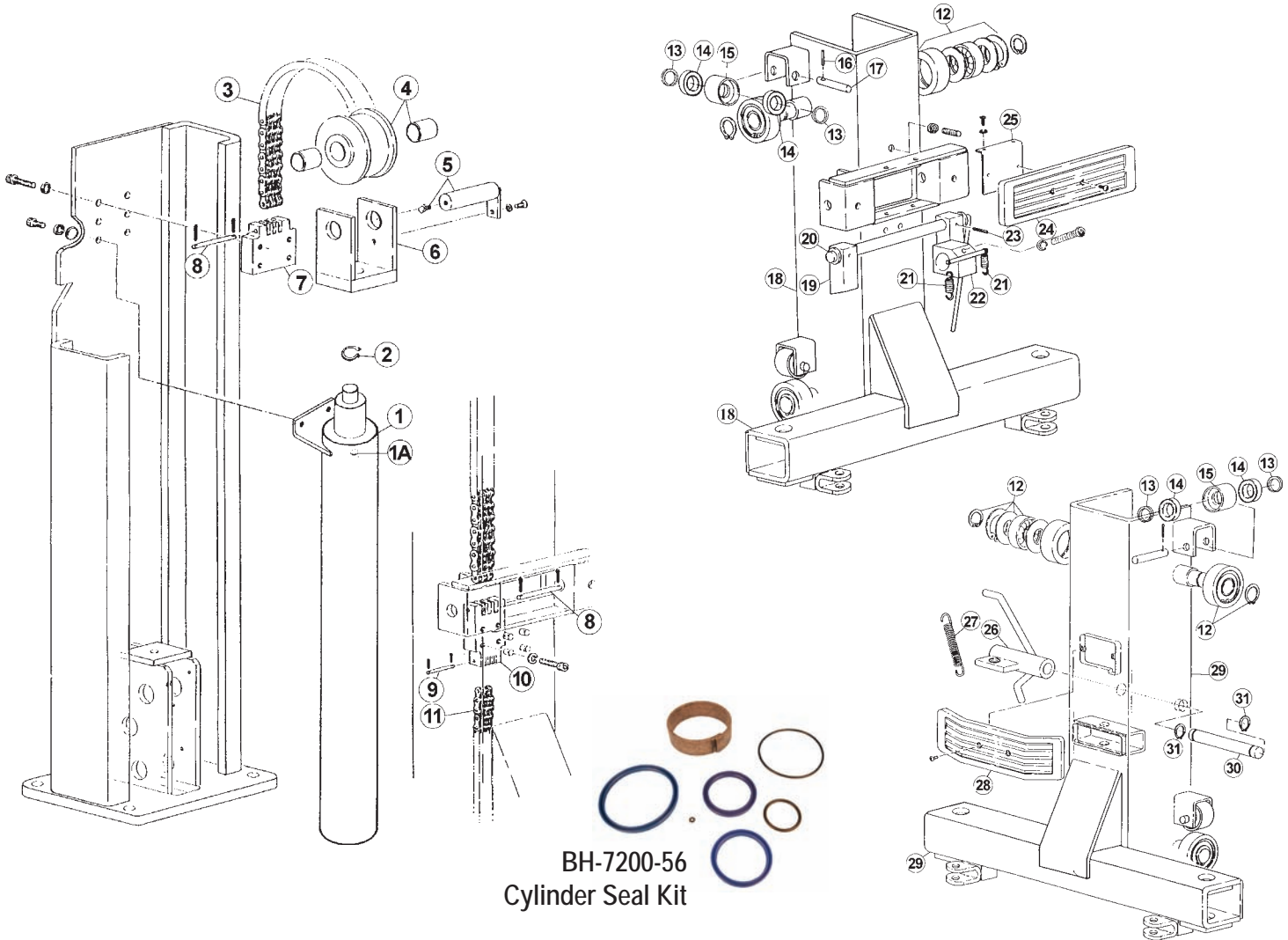
\* Order 440 Links for the GP-7 or SP-7  
 Order 464 Links for the GP-7W or NP-7

CHAIN NOTE: Always verify type of chain. Chain is non-returnable.



Insist on only SVI "Direct Fit" brand Lift Repair Parts.  
 entire contents copyright © 2010 SVI International, Inc.

# Grand Prix Series Models: GP-55, GPO-55, GP-7, GPO-7 / 7W, Bishamon SA7, NA7, SP7, SL7, NL7 Carriage and Cylinder Components



**BH-7200-56  
 Cylinder Seal Kit**

Item	SVI part #	Benwil Part #	Bishamon Part #	Description
1	BH-7201-24	30101560	SP640001	Cylinder
1A	<b>BH-7200-56</b>	00043341	XH010	Cylinder Seal Kit
2	F-RR-1187		XFR06	1-3/16" Snap Ring
3	BH-7031	80837955	XC002	Leaf Chain 57 Pitches
4	BH-7201-27	11316440	SP660000	Chain Wheel A Assembly
5	BH-7201-28	00099560	SP620000	Chain Wheel Shaft
6	BH-7201-29	00099540	SP610000	Chain Bracket/Yoke
7	BH-7201-25	11316480	SP600001	Post Chain Plate
8	BH-7201-03	51311090	51311090	Chain Fitting Pin
9	BH-7202-34	51311100	51311100	Chain Pin
10	BH-7201-02	11316500	SP600002	Carriage Chain Plate
11	BH-7030		XC003	Leaf Chain
12	BH-7201-80	00043161	AS5	Guide Roller Assembly
13	BH-7201-95		SP300005	Side Roller Collar
14	BH-7201-96		XB001	Bearing
15	BH-7201-00	00099260	Sp300007	Side Roller

Item	SVI part #	Benwil Part #	Bishamon Part #	Description
16	F-RP-187-1125	80846044	XFP04	Roll Pin
17	BH-7201-97		SP300004	Side Roller Shaft
18	BH-7201-98	00102220	SP310000	Motor Side Carriage
19	BH-7201-99		AS6	Hook Shaft Assembly 7/8"
19	BH-7201-99A	00098270		Hook Shaft Assembly 1"
20	BH-7201-46	10235276	SP300006	Hook Shaft Collar
21	BH-7201-45	51311000	SP300003	Spring
22	BH-7202-35		SP330000	Safety Cam
23	F-RP-250-1250		SFP05	Roll Pin
24	BH-7201-41	51311020	SP300010	Door Bumper
25	BH-7201-43	11319800	SP300002	Door Bumper Plate
26	BH-7201-51	00099420	SP420000	Catch Gear
27	BH-7201-52	51311060	SP400002	Catch Gear Spring
28	BH-7201-56	51311080	SP400003	Slave Door Bumper
29	not available	00102280	SP410000	Slave Side Carriage
30	BH-7202-33	11316160	SP400001	Catch Gear Shaft
31	F-RR-1000		XFR05	Retaining Ring

All names, numbers, symbols and descriptions are used for reference purposes only. It is not implied that any part listed is the product of these manufacturers; however, some parts may be the actual product of these manufacturers.

**TERMS AND CONDITIONS OF THE  
SALES ORDER  
FOR SVI INTERNATIONAL, INC.**

1. **GENERAL.** The terms and conditions of sales order outlined herein shall apply to the sale by SVI INTERNATIONAL, INC. (hereinafter referred to as "Company") of the items described on the facing page (hereinafter referred to as "Merchandise") to Purchaser.
2. **DELIVERY.** Delivery shall be deemed to be complete when the Merchandise has been shipped F.O.B. Company's plants in DeKalb, Illinois, Duarte, California; and Baltimore, Maryland ("Company's plants"). Shipments are subject to delays from causes or contingencies beyond the reasonable control of the Company. When otherwise not specified, shipments will be made in standard containers via carrier which, in the judgment of the Company, will result in the most practical method. Title and right of possession will pass to the Purchaser upon receipt by the carrier at the shipping point. If a customer of the Company should specify a specific carrier's method of shipment (i.e. UPS Next Day Air) and that carrier does not perform to the customer's expectations, freight credit to a customer's account will not be issued unless the Company can first obtain a credit.
3. **RISK OF LOSS.** Identification of the Merchandise under Uniform Commercial Code (hereinafter referred to as "UCC") Section 2-501 shall take place at the moment of shipment F.O.B. Company's plants. Risk of loss shall pass to the Purchaser when the Merchandise is shipped from the Company's plants.
4. **TITLE.** Title to the merchandise shall transfer to the Purchaser when the Merchandise is shipped from the Company's plants.
5. **WARRANTIES.** The Company guarantees its products to be free from defects in workmanship and raw materials for a period of one year from date of purchase. THIS WARRANTY IS EXPRESSLY IN LIEU OF ANY AND ALL WARRANTIES EXPRESS OR IMPLIED. COMPANY DOES NOT WARRANT THE MERCHANDISE IS MERCHANTABLE OR FIT FOR ANY PARTICULAR PURPOSE. Company's liability for breach of the terms of this Agreement, including any warranty, is limited to either refund of the invoice price of the Merchandise or at Company's option, replacement of the Merchandise free of charge, including transportation charges but not including the cost of labor. Purchaser has not relied on any statement or upon the conduct of Company with respect to the prospective use of the merchandise. Company shall not be liable for and Purchaser waives any and all claims for any loss or damage, directly or indirectly, arising from the use of the Merchandise and for punitive, incidental or consequential damages, including, but not limited to, damages to property, for loss of use, loss of time, loss of profit or loss of income. The Company does not authorize the sale of our products under any other warranty, expressed or implied.
6. **SETOFF.** All claims for money due or to become due from the Company shall be subject to deduction by the Company for any setoff or counterclaim arising out of this or any other claims of the Company or its affiliated companies, whether such setoff or counterclaim arose before or after any assignment by Purchaser.
7. **INDEMNIFICATION.** Purchaser agrees to indemnify the Company and hold it harmless from and against all claims, liability, loss, damage or expense, including reasonable counsel fees, arising from or by reason of any modifications or alterations made by Purchaser. If a customer of the Company modifies or alters any part, in any manner whatsoever, or uses any part in departure from recommended performance specifications, said customer agrees to indemnify and hold the Company harmless from and against all liability and expenses based on damage to property or injury to or death of any person arising out of or attributable to such modified or altered part. Further, the Company will not accept any such modified or altered part for credit to a customer's account.
8. **FREIGHT POLICY.** Freight charges on individual orders less than \$3,000 in net value are prepaid and added to invoice or collect F.O.B. shipping point. Freight charges (standard ground service and continental US only) on individual orders more than \$3,000 net value are paid by the Company F.O.B. shipping point. Note: customers with C.O.D. terms are responsible for all carrier C.O.D. fees regardless of order net value.
9. **RETURN POLICY.** To return parts for credit or inspection Purchaser must first contact the Company to obtain a Return Goods Authorization number (RGA#). Once Purchaser has obtained an RGA# the parts can be returned freight prepaid only. The RGA# must be on the outside of the container in a highly visible location. All parts must be returned freight prepaid and the shipment must include a letter of explanation giving the specific reason for return including details as to the conditions under which the part or parts operated. Note: parts returned without an RGA#, freight collect or without written explanation may be refused. Parts which have been used in any way or manner, including any installation or incorporation into a lift or hoist, shall NOT be eligible for return whether or not an RGA has been assigned.
10. **RESTOCK CHARGE.** Returns are subject to up to twenty-five (25%) restocking charge. Refusals are subject to the same restocking charge plus the cost of outbound and return freight charges and/or fees incurred by the Company due to shipment refusal.
11. **PRICES AND PAYMENTS.** All prices are subject to change without notice. All prices are F.O.B. shipping point. The Company standard terms are net 30 days, C.O.D. company check, C.O.D. cash, VISA, MasterCard, Discover or American Express. However, if in the judgment of the Company, the financial condition of the Purchaser at any time does not justify shipment according to standard terms of payment, the Company may require full or partial payment in advance.
12. **INTERPRETATION.** This sales order is intended by the parties as a complete and exclusive statement of the terms of their agreement. It supersedes all prior agreements, written or oral. No course of prior dealings between the parties and no usage of the trade shall be relevant to supplement or explain any terms used in this sales order. Acceptance or acquiescence in a course of performance rendered under this purchase order shall not be relevant to determine the meaning of this sales order even though the accepting or acquiescing party has knowledge of the nature of the performance and opportunity for objection. Whenever a term defined by the UCC is used in this sales order the definition contained in the UCC shall control.
13. **MODIFICATION.** This sales order can be modified or rescinded only by a writing signed by both parties.
14. **WAIVER.** No claim or right arising out of a breach of this sales order can be discharged in whole or in part by a waiver or renunciation of the claim or right unless such waiver or renunciation is supported by consideration and is in writing signed by the aggrieved party.
15. **ASSIGNMENT.** No right or interest in this sales order shall be assigned by either party without the written consent of the other and no delegation of any obligation owed, or of the performance of any obligation by either the Company or Purchaser shall be made without the written consent of the other party. Any attempted assignment or delegation not made in conformity with this paragraph shall be wholly void and totally ineffective for all purposes.
16. **TIME TO PERFORM AND BRING ACTION.** Time is of the essence of this sales order. Any action for breach of this sales order shall be commenced within two (2) years after the cause of action has accrued. Any party who loses any litigation shall reimburse the other party for costs including reasonable attorneys fees. The exclusive jurisdiction for any legal action shall be the Circuit Court of DeKalb County, Illinois.
17. **APPLICABLE LAW.** This sales order shall be governed by the UCC of Illinois as effective and in force on the date of this sales order.

*Offering the Best in Automotive Lift Repair Parts and More!*

---

Auto Lift Cables • Auto Lift Parts • Brake Lathe Repair Parts

Compressed Air Repair Parts • Exhaust System Products • Fluid Delivery Repair Parts

Lubrication Equipment Repair Parts • Repair Parts for Gasboy Consumer Series

Service Station Pump and Tank Products • SVI Misc Auto Lift Products and Catalogs

Tire Changer Repair Parts • Vehicle Lifting Systems • Wheel Balancer Accessories

---

***Serving the Industry Since 1977 • Same-Day Shipping***



**SVI International, Inc.**

**(800) 321-8173 • fax: (800) 899-1784**

155 Harvestore Drive • DeKalb, IL 60115

**[www.sviinternational.com](http://www.sviinternational.com)**

**BALTIMORE • CHICAGO • LOS ANGELES**

While the utmost care has been used in compiling this reference material, we assume no responsibility for errors. Specifications are subject to change without notice. This edition supersedes all previous editions or issues. SVI reference material is subject to change without notice. All rights reserved.