

# Automotive Lift

R E P A I R P A R T S



**SVI International, Inc.**

**(800) 321-8173 • fax: (800) 899-1784**

155 Harvestore Drive • DeKalb, IL 60115

**[www.sviinternational.com](http://www.sviinternational.com)**

**BALTIMORE • CHICAGO • LOS ANGELES**

Repair Parts for: **Benwil**

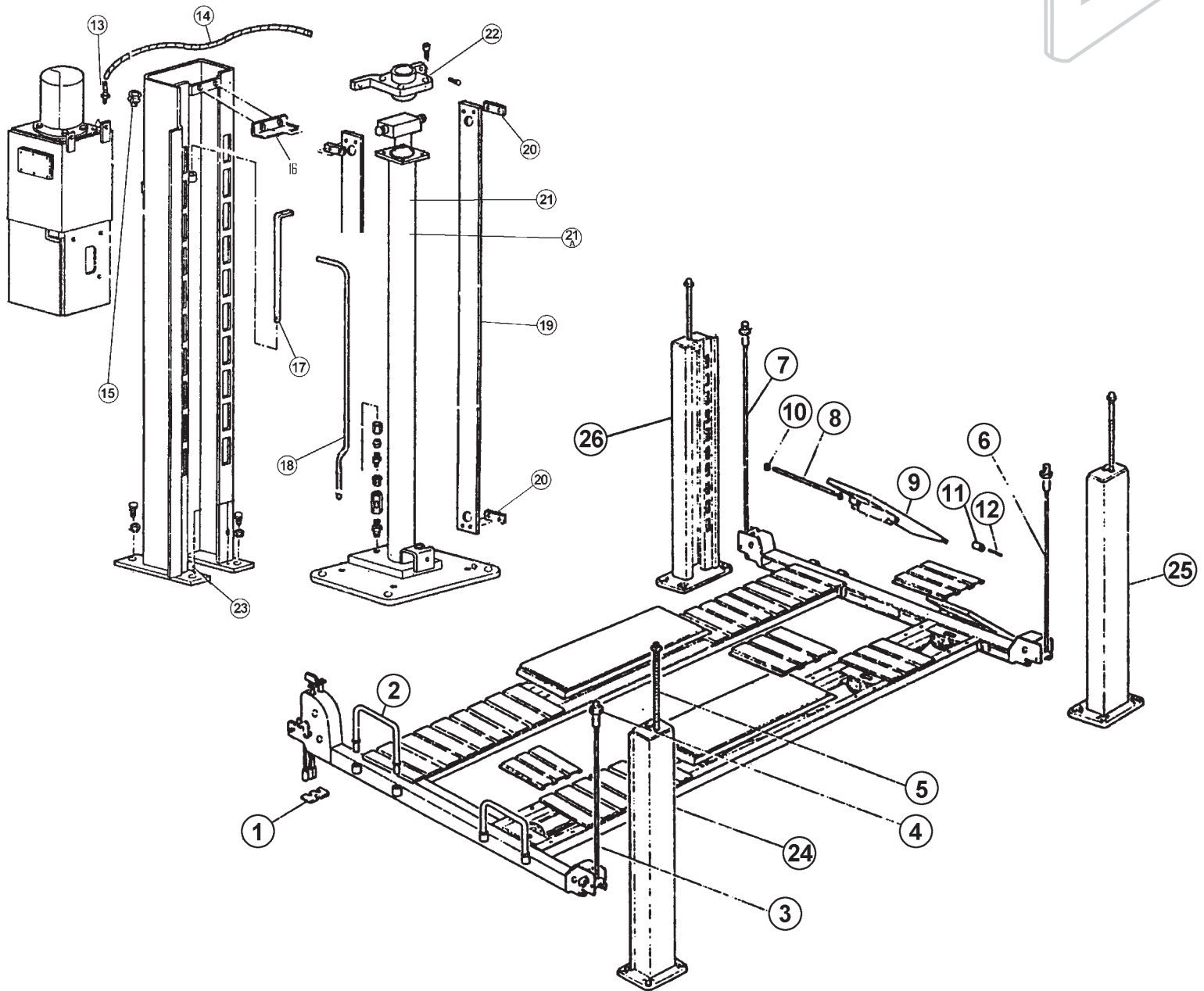
Repair Parts for:

**Benwil**

LRC7200K



# For Four Post Models: FP-7 and FP-7X

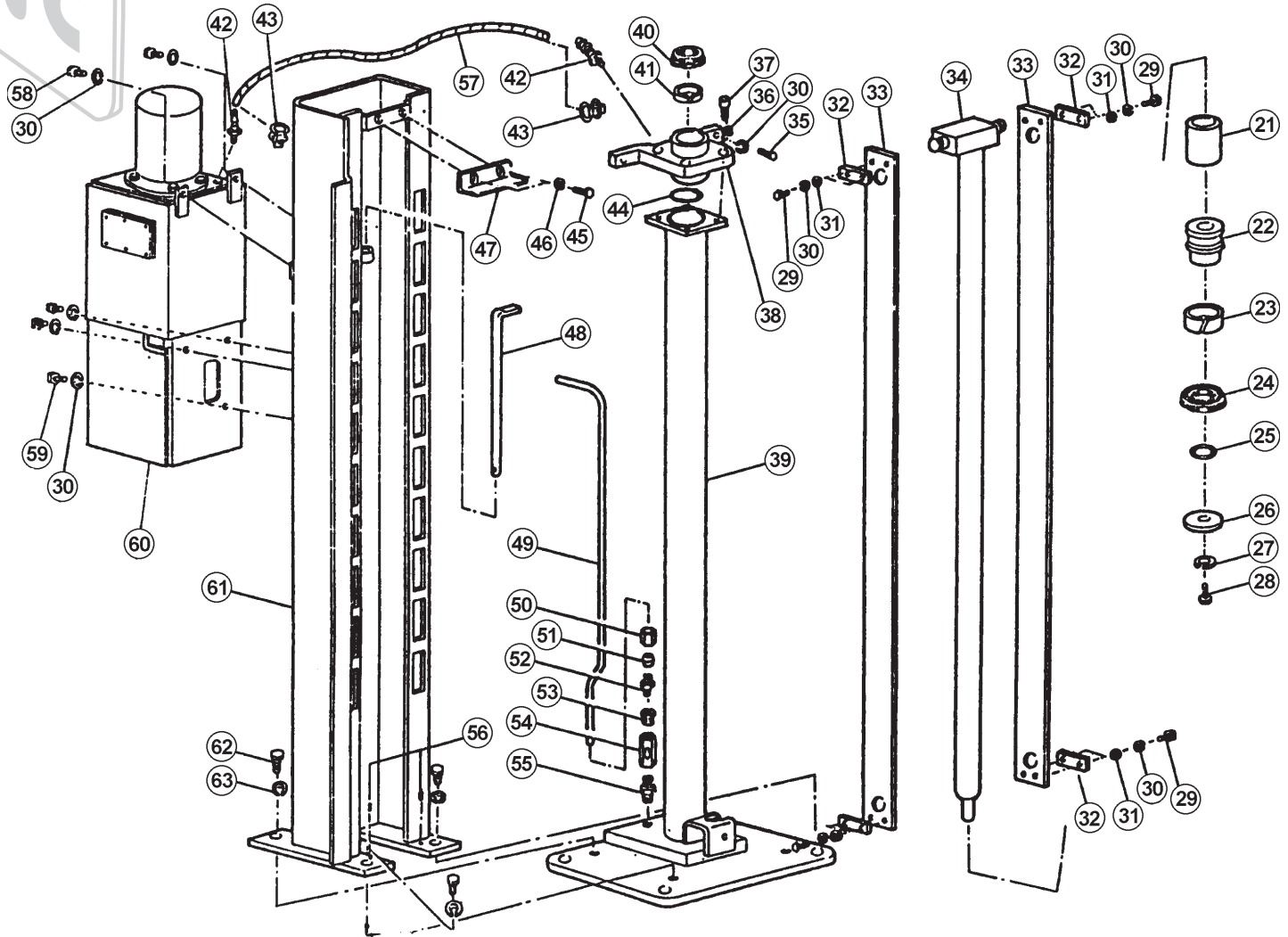


Item	SVI part #	OEM #	Description
1	BH-7212-023	10210441	Anchor Plate
2	BH-7212-027	00071631	Wheel Stop Bar
3	BH-7200-11C	50615041	Cable (Left Front 18'-3") FP-7 & 7X
4	BH-7207-16	10163981	Adjust Nut (included with cables)
5	BH-7212-007	00070241	Safety Bar
6	BH-7200-13	50615051	Cable (Left Rear 32' 8") FP-7 & 7X
7	BH-7200-17	50615061	Cable (Right Rear 37' 7") FP-7
	BH-7200-21	50617061	Cable (Right Rear 37' 10") FP-7X
8	BH-7212-070	10216151	Key Bar
9	BH-7212-025	00071651	Drive on Ramp/Plate
10	BH-7212-071	80845011	Snap Ring
11	BH-7212-072	10213581	Roller
12	BH-7212-073	90981050	Roll Pin
13	BH-7212-064	80812102	Joint Coupler

Item	SVI part #	OEM #	Description
14	BH-7212-074	50618011	Flex Hose
15	BH-7212-075	80825112	Wire Hose Band
16	BH-7212-076	10210061	Releasing Angle
17	BH-7212-053	10210721	Limit Bar
18	BH-7212-052	10215011	Pressure Pipe
19	BH-7212-040	10210371	Lift Plate
20	BH-7212-039	10210401	Key Plate
21	BH-7212-077	00070032	Cylinder
21A	BH-7212-031	50610361	Cylinder Seal Kit
22	BH-7212-047	10210352	Cylinder Cover
23	BH-7212-009	00070022	Driver Post
24	BH-7212-018	00070191	Follower Post "A" Not Available
25	BH-7212-016	00070211	Follower Post "C" Not Available
26	BH-7212-008	00070201	Follower Post "B" Not Available

Page 54

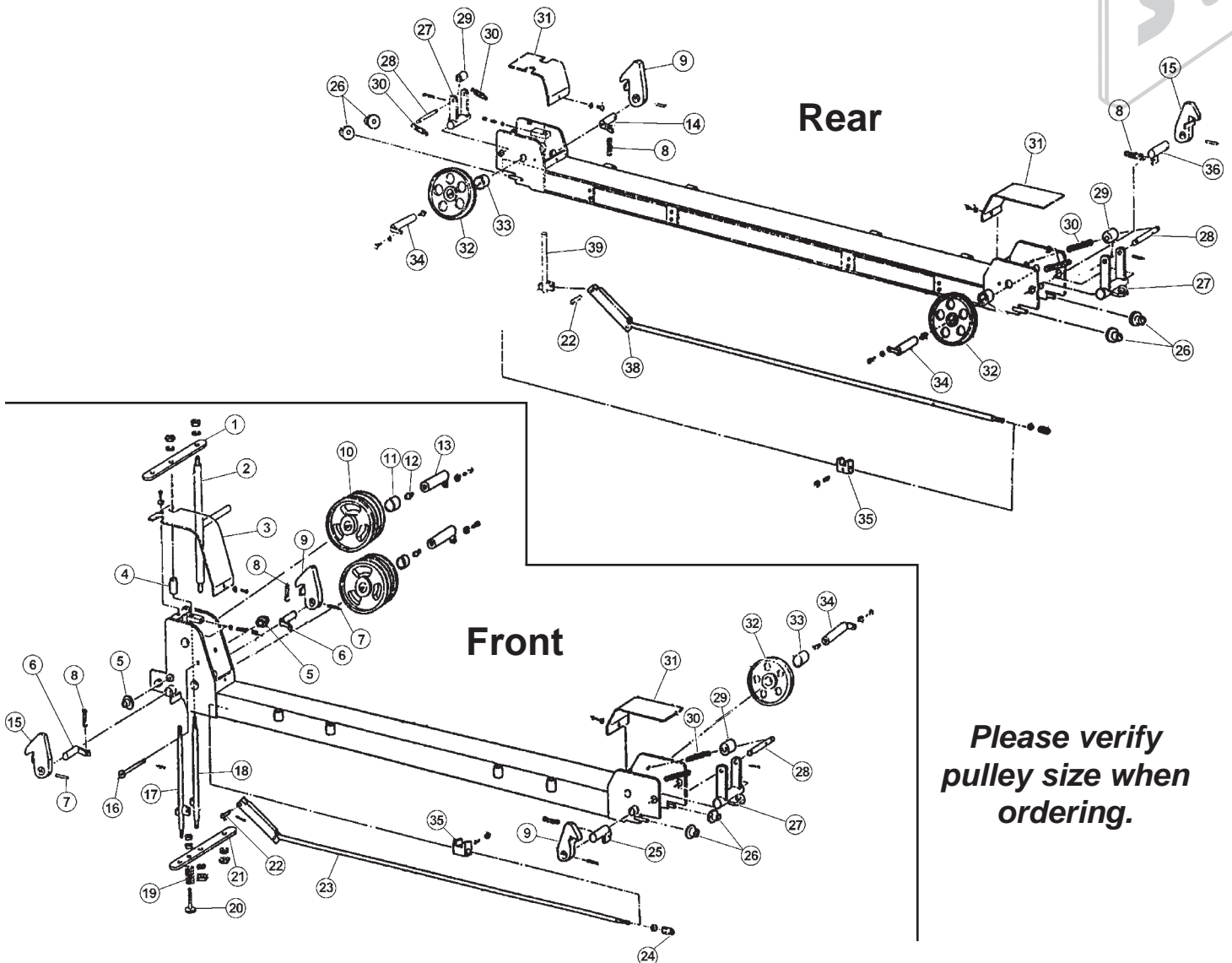
FP-7 / 7S / 7X / 7XS



Item	SVI part #	OEM #	Description	Qty
21	call for details	10210382	Piston Rod Spacer	1
22	BH-7212-029	10210361	Piston	1
23	BH-7212-030	80804064	Wearing	1
24	BH-7212-031	50610361	Cylinder Packing	1
25	BH-7212-032	80800024	O-Ring	1
26	BH-7212-033	10210391	Piston Washer	1
27	BH-7224-59	90930412	Spring Washer	1
28	call for details	90901225	Hex Bolt	1
29	BH-7215-53	90910812	Hex Bolt	8
30	BH-7215-74	90930508	Spring Washer	15
31	BH-7224-100	90930708	Plain Washer	8
32	BH-7212-039	10210401	Key Plate	4
33	BH-7212-040	10210371	Lift Plate	2
34	BH-7212-041	00070061	Piston Rod	1
35	BH-7224-44	90910830	Hex Bolt	2
36	call for details	90930410	Spring Washer	4
37	call for details	90921040	Socket Head Cap Bolt	4
38	BH-7212-047	10210352	Cylinder Cover	1
39	BH-7212-048	00070041	Cylinder	1
40	BH-7212-042	80807050	Wiper Ring	1
41	BH-7212-043	80804050	Wearing	1

Item	SVI part #	OEM #	Description	Qty
42	BH-7212-064	80812102	Joint	2
43	call for details	80825112	Wire Hose Band	2
44	call for details	80800131	O-Ring	1
45	BH-7204-053	90911015	Hex Bolt	2
46	call for details	90930710	Plain Washer	2
47	call for details	10210061	Releasing Angle	1
48	BH-7212-053	10210721	Limit Bar	1
49	BH-7212-052	10215011	Pressure Pipe A	1
50	BH-7212-054	80813610	Nut	1
51	BH-7212-055	80814710	Sleeve	1
52	BH-7212-056	80814910	Connector	1
53	call for details	80814423	Bushing	1
54	BH-7211-61	80818540	In-Line Chk. Valve	1
55	call for details	80814501	Nipple	1
56	call for details	90961015	Socket Head Cap Bolt	4
57	call for details	50618011	Flex. Hose	1
58	call for details	90910820	Hex Bolt	2
59	BH-7224-104	90910815	Hex Bolt	3
60	N/A		Hydraulic Unit Assembly	1
61	call for details	00070022	Driver Post	1
62	call for details	90911225	Hex Bolt	4
63	call for details	90930512	Spring Washer	4

# For Four Post Models: FP-7 and FP-7X



**Please verify pulley size when ordering.**

Item	SVI part #	OEM #	Description
1	BH-7212-196	10116251	Main Joint Bar
2	BH-7212-079	00071575	Hook Return Rod
3	BH-7212-195	10212911	Main Cover
4	BH-7212-194	10212812	Main Distance Collar
5	BH-7212-186	10213152	Main Guide Roller
6	BH-7212-190	00070491	Hook Shaft A Left and Right
7	BH-7212-080	90980535	Roll Pin
8	BH-7212-173	50612611	Safety Spring
9	BH-7212-172	00070471	Drive-On Hook Right
10	BH-7212-081	10212461	Main Pulley
11	BH-7212-192	10212161	Main Pulley Collar
12	BH-7212-187	80843025	Steel Ball
13	BH-7212-193	00070531	Main Pulley Shaft
14	BH-7212-090	00070681	Hook Shaft C
15	BH-7212-197	00070481	Drive-On Hook Left
16	BH-7212-184	00070551	Wire Stopper Left
17	BH-7212-182	00071555	Main Hook Operating Bar
18	BH-7212-181	00071565	Main Hook Operating Bar B
19	BH-7212-082	50615501	Hook Return Spring

Item	SVI part #	OEM #	Description
20	BH-7212-083	10162722	Pin
21	BH-7212-084	10216241	Under Joint Bar
22	BH-7212-180	50501681	Pin
23	BH-7212-176	00070521	Main Hook Return Bar
24	BH-7212-085	10212821	Adjust Nut
25	BH-7212-170	00070511	Hook Shaft B.D. Left
26	BH-7212-164	10213162	Sub Guide Roller
27	BH-7212-163	00070431	Safety Lock Bracket
28	BH-7212-161	10212561	Safety Pulley Shaft
29	BH-7212-165	10212571	Safety Roller
30	BH-7212-166	50612561	Safety Lock Pull Spring
31	BH-7212-167	10213121	Sub Cover Plate
32	BH-7212-159	10211711	Sub Pulley
33	BH-7212-086	10212341	Sub Pulley Collar
34	BH-7212-157	00070541	Sub Pulley Shaft
35	BH-7212-087	10216131	Joint Clamp
36	BH-7212-231	00070671	Hook Bar B.D. Left
37	BH-7212-088	10213111	Sub Cover 10 Right
38	BH-7212-089	10216121	Sub Hook Return Bar
39	BH-7212-225	10216111	Sub Hook Operating Bar

**TERMS AND CONDITIONS OF THE  
SALES ORDER  
FOR SVI INTERNATIONAL, INC.**

1. **GENERAL.** The terms and conditions of sales order outlined herein shall apply to the sale by SVI INTERNATIONAL, INC. (hereinafter referred to as "Company") of the items described on the facing page (hereinafter referred to as "Merchandise") to Purchaser.
2. **DELIVERY.** Delivery shall be deemed to be complete when the Merchandise has been shipped F.O.B. Company's plants in DeKalb, Illinois, Duarte, California; and Baltimore, Maryland ("Company's plants"). Shipments are subject to delays from causes or contingencies beyond the reasonable control of the Company. When otherwise not specified, shipments will be made in standard containers via carrier which, in the judgment of the Company, will result in the most practical method. Title and right of possession will pass to the Purchaser upon receipt by the carrier at the shipping point. If a customer of the Company should specify a specific carrier's method of shipment (i.e. UPS Next Day Air) and that carrier does not perform to the customer's expectations, freight credit to a customer's account will not be issued unless the Company can first obtain a credit.
3. **RISK OF LOSS.** Identification of the Merchandise under Uniform Commercial Code (hereinafter referred to as "UCC") Section 2-501 shall take place at the moment of shipment F.O.B. Company's plants. Risk of loss shall pass to the Purchaser when the Merchandise is shipped from the Company's plants.
4. **TITLE.** Title to the merchandise shall transfer to the Purchaser when the Merchandise is shipped from the Company's plants.
5. **WARRANTIES.** The Company guarantees its products to be free from defects in workmanship and raw materials for a period of one year from date of purchase. THIS WARRANTY IS EXPRESSLY IN LIEU OF ANY AND ALL WARRANTIES EXPRESS OR IMPLIED. COMPANY DOES NOT WARRANT THE MERCHANDISE IS MERCHANTABLE OR FIT FOR ANY PARTICULAR PURPOSE. Company's liability for breach of the terms of this Agreement, including any warranty, is limited to either refund of the invoice price of the Merchandise or at Company's option, replacement of the Merchandise free of charge, including transportation charges but not including the cost of labor. Purchaser has not relied on any statement or upon the conduct of Company with respect to the prospective use of the merchandise. Company shall not be liable for and Purchaser waives any and all claims for any loss or damage, directly or indirectly, arising from the use of the Merchandise and for punitive, incidental or consequential damages, including, but not limited to, damages to property, for loss of use, loss of time, loss of profit or loss of income. The Company does not authorize the sale of our products under any other warranty, expressed or implied.
6. **SETOFF.** All claims for money due or to become due from the Company shall be subject to deduction by the Company for any setoff or counterclaim arising out of this or any other claims of the Company or its affiliated companies, whether such setoff or counterclaim arose before or after any assignment by Purchaser.
7. **INDEMNIFICATION.** Purchaser agrees to indemnify the Company and hold it harmless from and against all claims, liability, loss, damage or expense, including reasonable counsel fees, arising from or by reason of any modifications or alterations made by Purchaser. If a customer of the Company modifies or alters any part, in any manner whatsoever, or uses any part in departure from recommended performance specifications, said customer agrees to indemnify and hold the Company harmless from and against all liability and expenses based on damage to property or injury to or death of any person arising out of or attributable to such modified or altered part. Further, the Company will not accept any such modified or altered part for credit to a customer's account.
8. **FREIGHT POLICY.** Freight charges on individual orders less than \$3,000 in net value are prepaid and added to invoice or collect F.O.B. shipping point. Freight charges (standard ground service and continental US only) on individual orders more than \$3,000 net value are paid by the Company F.O.B. shipping point. Note: customers with C.O.D. terms are responsible for all carrier C.O.D. fees regardless of order net value.
9. **RETURN POLICY.** To return parts for credit or inspection Purchaser must first contact the Company to obtain a Return Goods Authorization number (RGA#). Once Purchaser has obtained an RGA# the parts can be returned freight prepaid only. The RGA# must be on the outside of the container in a highly visible location. All parts must be returned freight prepaid and the shipment must include a letter of explanation giving the specific reason for return including details as to the conditions under which the part or parts operated. Note: parts returned without an RGA#, freight collect or without written explanation may be refused. Parts which have been used in any way or manner, including any installation or incorporation into a lift or hoist, shall NOT be eligible for return whether or not an RGA has been assigned.
10. **RESTOCK CHARGE.** Returns are subject to up to twenty-five (25%) restocking charge. Refusals are subject to the same restocking charge plus the cost of outbound and return freight charges and/or fees incurred by the Company due to shipment refusal.
11. **PRICES AND PAYMENTS.** All prices are subject to change without notice. All prices are F.O.B. shipping point. The Company standard terms are net 30 days, C.O.D. company check, C.O.D. cash, VISA, MasterCard, Discover or American Express. However, if in the judgment of the Company, the financial condition of the Purchaser at any time does not justify shipment according to standard terms of payment, the Company may require full or partial payment in advance.
12. **INTERPRETATION.** This sales order is intended by the parties as a complete and exclusive statement of the terms of their agreement. It supersedes all prior agreements, written or oral. No course of prior dealings between the parties and no usage of the trade shall be relevant to supplement or explain any terms used in this sales order. Acceptance or acquiescence in a course of performance rendered under this purchase order shall not be relevant to determine the meaning of this sales order even though the accepting or acquiescing party has knowledge of the nature of the performance and opportunity for objection. Whenever a term defined by the UCC is used in this sales order the definition contained in the UCC shall control.
13. **MODIFICATION.** This sales order can be modified or rescinded only by a writing signed by both parties.
14. **WAIVER.** No claim or right arising out of a breach of this sales order can be discharged in whole or in part by a waiver or renunciation of the claim or right unless such waiver or renunciation is supported by consideration and is in writing signed by the aggrieved party.
15. **ASSIGNMENT.** No right or interest in this sales order shall be assigned by either party without the written consent of the other and no delegation of any obligation owed, or of the performance of any obligation by either the Company or Purchaser shall be made without the written consent of the other party. Any attempted assignment or delegation not made in conformity with this paragraph shall be wholly void and totally ineffective for all purposes.
16. **TIME TO PERFORM AND BRING ACTION.** Time is of the essence of this sales order. Any action for breach of this sales order shall be commenced within two (2) years after the cause of action has accrued. Any party who loses any litigation shall reimburse the other party for costs including reasonable attorneys fees. The exclusive jurisdiction for any legal action shall be the Circuit Court of DeKalb County, Illinois.
17. **APPLICABLE LAW.** This sales order shall be governed by the UCC of Illinois as effective and in force on the date of this sales order.

*Offering the Best in Automotive Lift Repair Parts and More!*

---

Auto Lift Cables • Auto Lift Parts • Brake Lathe Repair Parts

Compressed Air Repair Parts • Exhaust System Products • Fluid Delivery Repair Parts

Lubrication Equipment Repair Parts • Repair Parts for Gasboy Consumer Series

Service Station Pump and Tank Products • SVI Misc Auto Lift Products and Catalogs

Tire Changer Repair Parts • Vehicle Lifting Systems • Wheel Balancer Accessories

---

***Serving the Industry Since 1977 • Same-Day Shipping***



**SVI International, Inc.**

**(800) 321-8173 • fax: (800) 899-1784**

155 Harvestore Drive • DeKalb, IL 60115

**[www.sviinternational.com](http://www.sviinternational.com)**

**BALTIMORE • CHICAGO • LOS ANGELES**

While the utmost care has been used in compiling this reference material, we assume no responsibility for errors. Specifications are subject to change without notice. This edition supersedes all previous editions or issues. SVI reference material is subject to change without notice. All rights reserved.