

# Automotive Lift

R E P A I R P A R T S



**SVI International, Inc.**  
**(800) 321-8173 • fax: (800) 899-1784**  
155 Harvestore Drive • DeKalb, IL 60115  
**[www.sviinternational.com](http://www.sviinternational.com)**

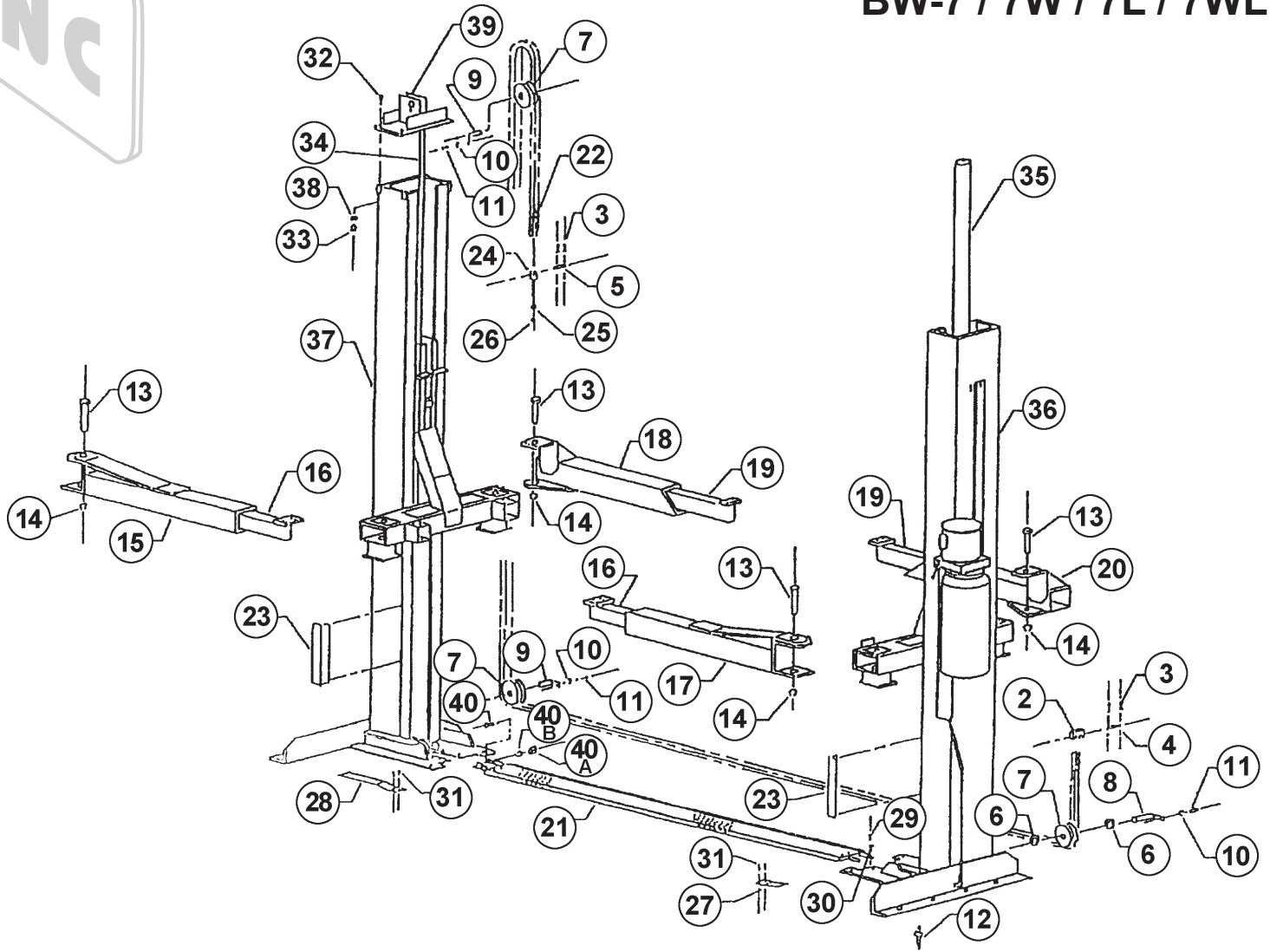
**BALTIMORE • CHICAGO • LOS ANGELES**

Repair Parts for: **Benwil**

Repair Parts for:  
**Benwil**  
LRC7200K



# BW-7 / 7W / 7L / 7WL



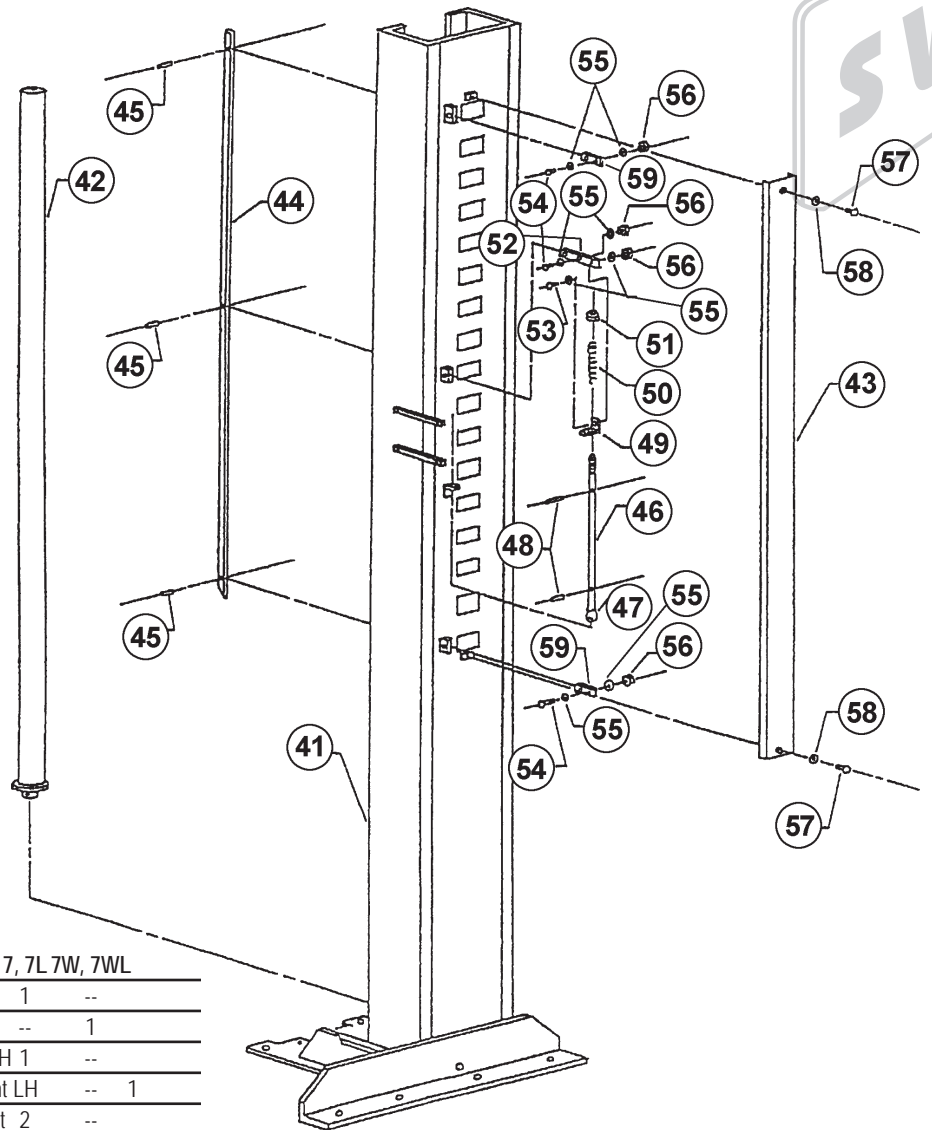
Item	SVI part #	OEM #	Description	7, 7L	7W, 7WL
2	BH-7224-132	300344	Anchor-Chain	1	1
3	F-CP-125-0875	1/8" x 7/8"	Cotter Pin	4	4
4	BH-7210-52	300346	Pin, Chain Anchor	1	1
5	BH-7209-65	300125	Pin Clevis	1	1
6	BH-7208-31	300333	Spacer-Sheave	2	2
7	BH-7208-19	300068	Sheave	3	3
8	BH-7208-29	300393	Shaft Assy.-Drive Side	1	1
9	BH-7208-30	300392	Shaft Assy.-Driven Side	2	2
10	F-LW-0250	1/4"	Split Lock Washer	3	3
11	F-HC-0250-20-0375	1/4-20x3/8	Hex Bolt	3	3
12	BH-7224-131	500388	Anchor Bolt Assy.	12	12
13	BH-7211-01	300238	Pin-Arm Front & Rear	4	4
14	BH-7211-02	300218-4	Snap Ring	4	4
15	BH-7211-06	300200-1	Arm Weld-Rear LH	1	--
	BH-7224-132	300225-1	Arm Weld-Rear LH	--	1
16	BH-7211-07	300201-1	Arm Weld Ext. Rear	2	--
	BH-7224-133	300201-3	Arm Weld Ext. Rear	--	2

# SVI "Direct Fit" brand Lift Repair Parts for Benwil lifts.

entire contents copyright © 2010 SVI International, Inc.

## BW-7 / 7W / 7L / 7WL

### Drive Column Assembly



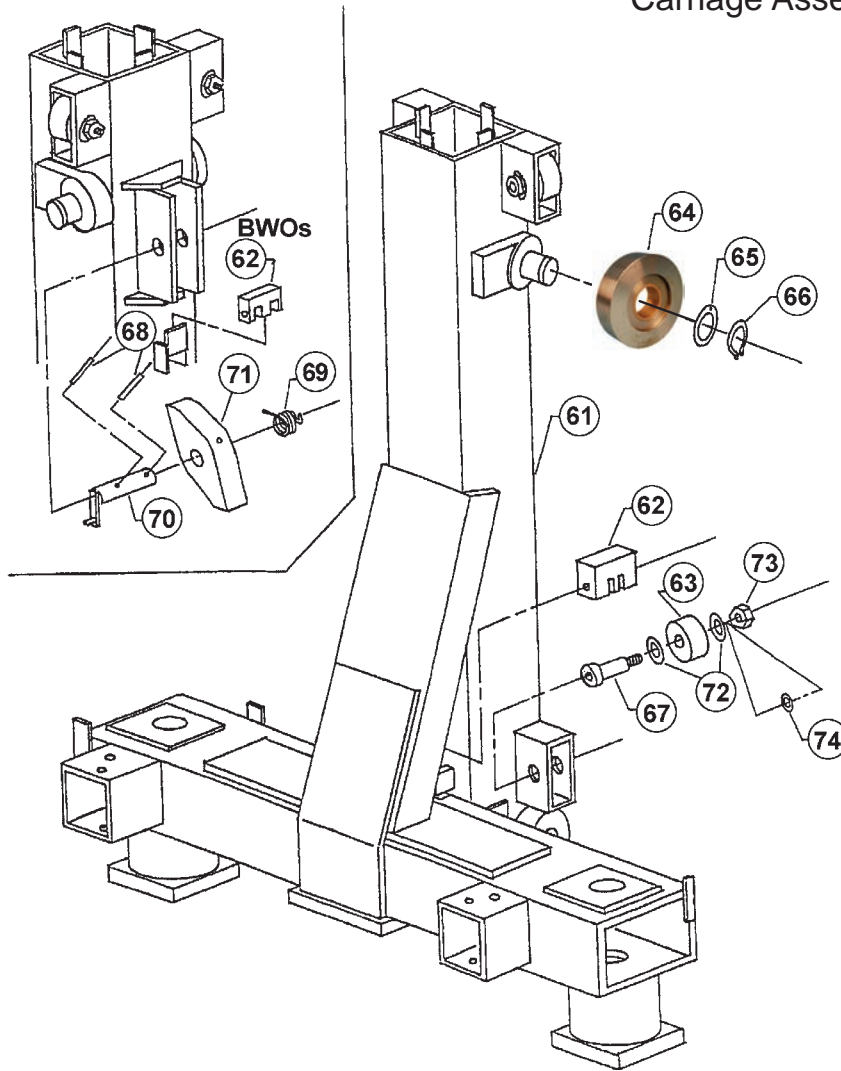
Item	SVI part #	OEM #	Description	7	7L	7W	7WL
17	BH-7211-08	300200-2	Arm Weld-Rear RH	1	--		
	BH-7224-134	300225-2	Arm Weld-Rear RH	--	1		
18	BH-7211-03	300321-1	Arm Weld-Asym. Front LH	1	--		
	BH-7224-135	300234-1	Arm Weld-Asym. Front LH	--	1		
19	BH-7211-04	300235-1	Arm Weld Asym. Front	2	--		
	BH-7224-136	300235-3	Arm Weld Ext.-Front	--	2		
20	BH-7211-05	300231-2	Arm Weld-Asym. Front RH	1	--		
	BH-7224-137	300234-2	Arm Weld-Asym. Front RH	--	1		
21	BH-7224-138	300249-1	Floor Plate	1	--		
	BH-7224-139	300249-3	Floor Plate	--	1		
22	BH-7224-140	300158-3	Leaf Chain-421 Links	1	--		
	BH-7224-141	300158-5	Leaf Chain-445 Links	--	1		
23	BH-7224-142	300568	Bumper Door	2	2		
24	BH-7205-40	300124-2	Clevis-Chain	1	1		
25	F-HN-0562-18	9/16-18	Hex Nut	1	1		
26	F-JN-0562-18	9/16-18	Hex Jam Nut	1	1		
27	BH-7224-143	300408	Chain Cover-Drive Side	1	1		
28	BH-7207-61	300409	Chain Cover-Driven Side	1	1		
29	F-HC-0375-16-0750	3/8-16x3/4	Hex Bolt	8	8		
30	F-FW-0375	3/8	Split Lock Washer	12	12		
31	F-MS-0010-32-0500	10-32 x 1/2	Phil. Hd. Sif. Thred. Screw	4	4		
32	F-HC-0500-13-2500	1/2-13x2-1/2	Hex Bolt	8	8		
33	F-HN-0500-13	1/2-13	Hex Nut	4	4		
34	BH-7202-95	300300	Rod Assy. - Restraint	1	1		
35	BH-7211-89	300275	Hydr. Cyl. (see below for BW7L/7WL)	1	1		
	BH-7224-148		Hydr. Cyl. for BW7L/7WL	1	1		
36	BH-7224-144	300294	Column-Drive Side	1	1		
37	BH-7224-145	300268	Column-Driven Side	1	1		
38	F-LW-0500	1/2	Split Lock Washer	4	--		
39	BH-7224-146	300295	Upper Sheave Brkt. Assy.	1	1		

Item	SVI part #	OEM #	Description	7	7W	7L	7WL
40	F-HC-0375-16-1000	3/8-16x1	Hex Head Bolt	4	4		
40A	F-HN-0375-16	3/8-16	Hex Head Nut	4	4		
40B	F-LW-0375	3/8	Spring Lock Washer	4	4		
41	BH-7224-147	300294	Column-Drive Side	1	1	1	
42	BH-7202-89	300275	Hydraulic Cylinder	1	--	--	
	BH-7224-148	300613	Hydraulic Cylinder (Low)	--	--	1	
43	BH-7224-149	300165	Cover-Lock	1	1	1	
44	BH-7202-90	300596	Channel-Lock Release	1	1	1	
45	F-RP-0187-0437	3/16 x 7/16	Roll Pin	3	3	3	
46	BH-7202-98	300319	Rod-Lock Release	1	1	1	
47	BH-7208-36	300284	Knob	1	1	1	
48	F-RP-156-0750	5/32 x 3/4	Roll Pin	2	2	2	
49	BH-7208-64	300449	Angle-Lock Release	1	1	1	
50	BH-7208-09	300397	Spring-Lock Release	1	1	1	
51	F-HN-0375-16	3/8-16	Hex Nut	1	1	1	
52	BH-7208-21	300450	Link-Lock Release	1	1	1	
53	F-MS-0010-32-0750	10-32 x 3/4	Phil. Panhd. Mach. Screw	1	1	1	
54	F-MS-0010-32-1000	10-32 x 1	Phil. Panhd. Mach. Screw	3	3	3	
55	F-FW-0010	10	Flat Washer	8	8	8	
56	F-NL-0010-32	10-32	Nylon Insert Lock Nut	4	4	4	
57	F-MS-0250-20-0375	1/4-20 x 3/8	Phil. Panhd. Mach. Screw	2	2	2	
58	F-FW-0250-SAE	1/4	Flat Washer	2	2	2	
59	BH-7202-99	300178	Link-Lock Release	2	2	2	



# BW-7 / 7W / 7L / 7WL and BWO-7 / 7W / 7L / 7WL

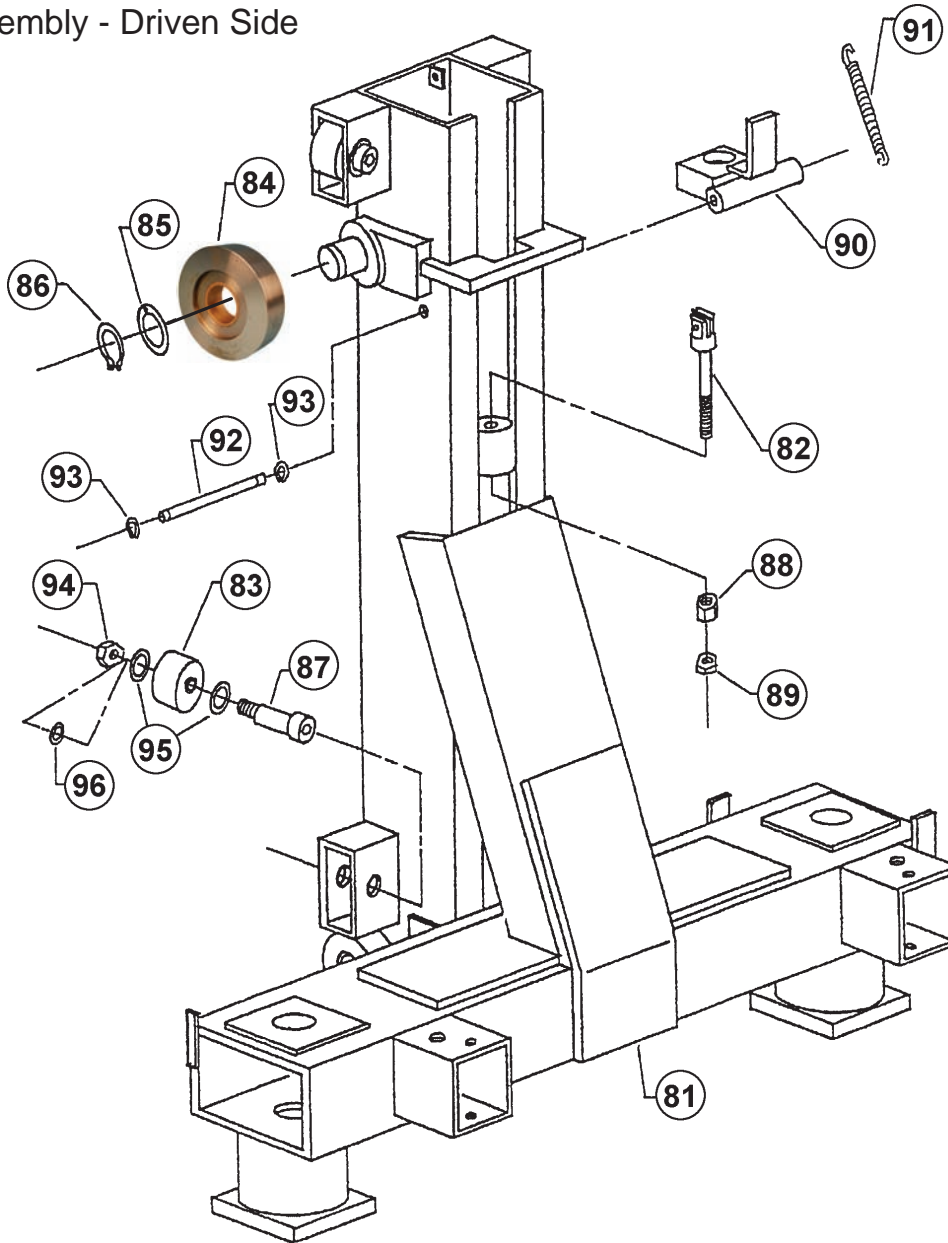
## Carriage Assembly - Drive Side



Item	SVI part #	OEM #	Description	BW-7/7L	BW-7W/7WL	BWO-7/7L	BWO-7W/7WL
61	BH-7224-153	300317-1	Carriage Weld-Drive Side	1	1	--	--
	BH-7224-154	300317-3	Carriage Weld-Drive Side	--	--	1	1
62	BH-7224-130	300344	Chain Anchor	1	1	1	1
63	BH-7208-38	300382	Roller Assy. - Side	4	4	4	4
64	BH-7208-37	300607	Roller-Flange	4	4	4	4
65	BH-7202-005	300617	Thrust Washer	4	4	4	4
66	BH-7202-006	300218-8	Snap Ring	4	4	4	4
67	F-SB-0625-11-1500	5/8" x 1-1/2"	Socket Shoulder Screw	4	4	4	4
68	F-RP-156-1500	5/32" x 1-1/2"	Roll Pin	2	2	2	2
69	BH-7208-49	300061	Spring-Safety Lock	1	1	1	1
70	BH-7208-10	300070	Pin Assembly	1	1	1	1
71	BH-7208-48	300055	Lock-Carriage	1	1	1	1
72	call for details	5/8" x 1-1/4"	Machine Bushing	8	8	8	8
73	F-NL-0500-13	1/2"-13	Nylon Insert Lock Nut	4	4	4	4
74	F-FW-0500-USS	1/2"	Flat Washer	4	4	4	4

# BW-7 / 7W / 7L / 7WL and BWO-7 / 7W / 7L / 7WL

## Carriage Assembly - Driven Side

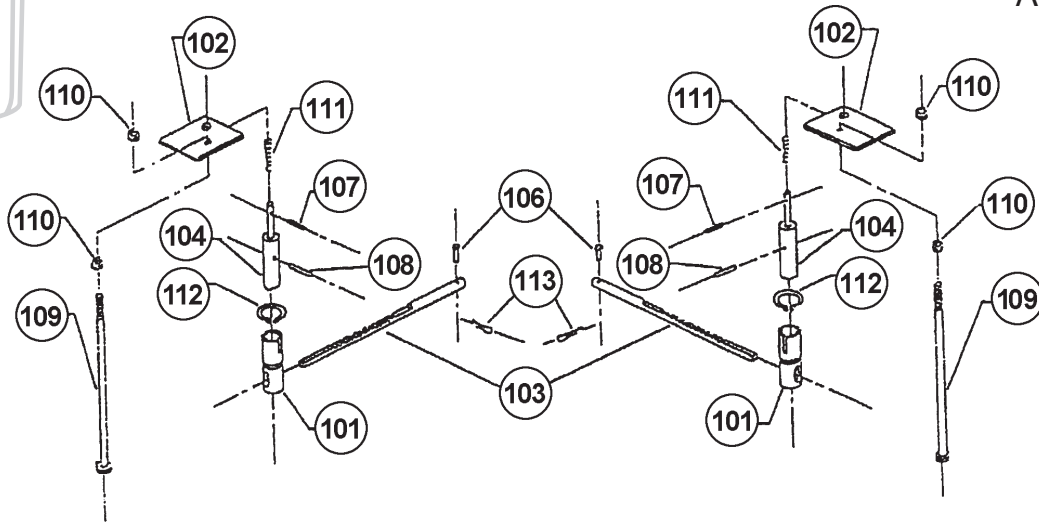


Item	SVI part #	OEM #	Description	BW-7/7L	BW-7W/7WL	BWO-7/7L	BWO-7W/7WL
81	BH-7224-155	300305	Carriage Weld-Driven Side	1	1	1	1
82	BH-7205-40	300124-2	Clevis-Chain	1	1	1	1
83	BH-7208-38	300382	Roller Assembly-Side	4	4	4	4
84	BH-7208-37	300607	Roller-Flange	4	4	4	4
85	BH-7202-005	300617	Thrust Washer	4	4	4	4
86	BH-7202-006	300218-8	Snap Ring	4	4	4	4
87	call for details	5/8" x 1-1/2"	Socket Shoulder Screw	4	4	4	4
88	F-HN-0562-18	9/16"-18	Hex Nut	1	1	1	1
89	call for details	9/16"-18	Jam Nut	1	1	1	1
90	BH-7209-57	300340	Lock Weld-Loose Chain	1	1	1	1
91	BH-7218-10	300396	Spring-Loose Chain Lock	1	1	1	1
92	BH-7224-156	300343	Pin-Loose Chain	1	1	2	2
93	BH-7207-48	300218-10	Snap Ring	2	2	2	2
94	F-NL-0500-13	1/2"-13	Nylon Insert Lock Nut	4	4	4	4
95	call for details	5/8"x1-1/4"	Machine Bushing	8	8	8	8
96	call for details	1/2"	Flat Washer	4	4	4	4



# BW-7 / 7W / 7L / 7WL and BWO-7 / 7W / 7L / 7WL

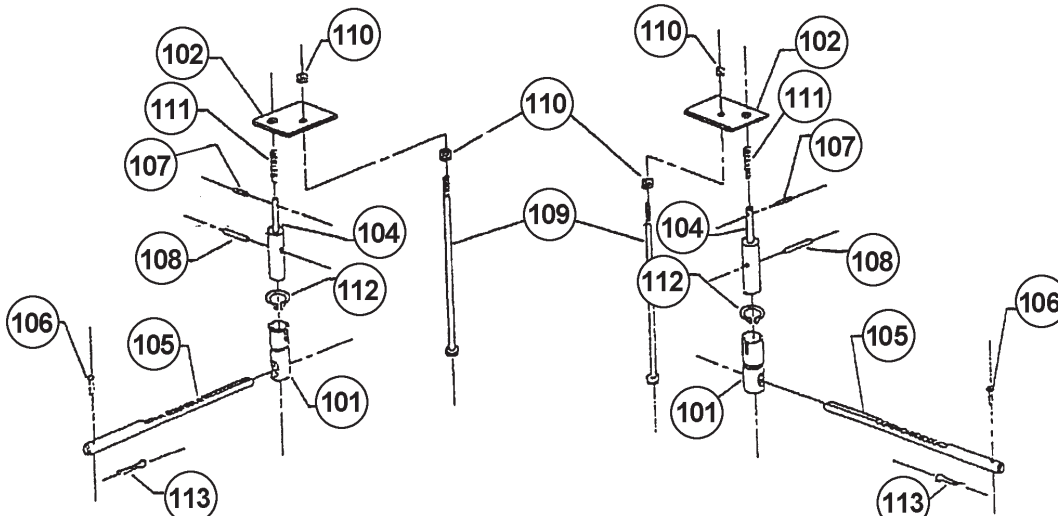
## Arm Lock Assembly



**L.H. Front**

**R.H. Front**

BH-7207-99  
 Arm Restraint Assembly  
 is a set of 4 that will do 1 lift.



**L.H. Rear**

**R.H. Rear**

Item	SVI part #	OEM #	Description	BW-7/7L	BW-7W/7WL	BWO-7/7L	BWO-7W/7WL
	BH-7207-99		Arm Restraint Assy. (set of 4)				
101	BH-7208-01	300214	Supt. Tube-Lock Bar	4	4	4	4
102	BH-7208-07	300215	Link-Arm Restraint	4	4	4	4
103	BH-7208-04	300216-3	Restraint Bar-Front Arm	2	2	2	2
104	BH-7208-02	300217	Restraint Pin-Arm	4	4	4	4
105	BH-7208-03	300216-1	Restraint Bar-Rear Arm	2	2	2	2
106	BH-7208-06	300136	Clevis Pin	4	4	4	4
107	F-RP-125-0750	1/8" x 3/4"	Roll Pin	4	4	4	4
108	F-RP-187-1125	3/16" x 1-1/8"	Roll Pin	4	4	4	4
109	F-HC-0375-16-8000	3/8"-16 x 8"	Hex Bolt	4	4	4	4
110	F-JN-0375-16	3/8"-16	Jam Nut	8	8	8	8
111	BH-7208-08	300222	Spring-Arm Lock	4	4	4	4
112	BH-7208-05	300218-2	Snap Ring	4	4	4	4
113	F-CP-125-1000	1/8" x 1"	Cotter Pin	4	4	4	4

**TERMS AND CONDITIONS OF THE  
SALES ORDER  
FOR SVI INTERNATIONAL, INC.**

1. **GENERAL.** The terms and conditions of sales order outlined herein shall apply to the sale by SVI INTERNATIONAL, INC. (hereinafter referred to as "Company") of the items described on the facing page (hereinafter referred to as "Merchandise") to Purchaser.
2. **DELIVERY.** Delivery shall be deemed to be complete when the Merchandise has been shipped F.O.B. Company's plants in DeKalb, Illinois, Duarte, California; and Baltimore, Maryland ("Company's plants"). Shipments are subject to delays from causes or contingencies beyond the reasonable control of the Company. When otherwise not specified, shipments will be made in standard containers via carrier which, in the judgment of the Company, will result in the most practical method. Title and right of possession will pass to the Purchaser upon receipt by the carrier at the shipping point. If a customer of the Company should specify a specific carrier's method of shipment (i.e. UPS Next Day Air) and that carrier does not perform to the customer's expectations, freight credit to a customer's account will not be issued unless the Company can first obtain a credit.
3. **RISK OF LOSS.** Identification of the Merchandise under Uniform Commercial Code (hereinafter referred to as "UCC") Section 2-501 shall take place at the moment of shipment F.O.B. Company's plants. Risk of loss shall pass to the Purchaser when the Merchandise is shipped from the Company's plants.
4. **TITLE.** Title to the merchandise shall transfer to the Purchaser when the Merchandise is shipped from the Company's plants.
5. **WARRANTIES.** The Company guarantees its products to be free from defects in workmanship and raw materials for a period of one year from date of purchase. THIS WARRANTY IS EXPRESSLY IN LIEU OF ANY AND ALL WARRANTIES EXPRESS OR IMPLIED. COMPANY DOES NOT WARRANT THE MERCHANDISE IS MERCHANTABLE OR FIT FOR ANY PARTICULAR PURPOSE. Company's liability for breach of the terms of this Agreement, including any warranty, is limited to either refund of the invoice price of the Merchandise or at Company's option, replacement of the Merchandise free of charge, including transportation charges but not including the cost of labor. Purchaser has not relied on any statement or upon the conduct of Company with respect to the prospective use of the merchandise. Company shall not be liable for and Purchaser waives any and all claims for any loss or damage, directly or indirectly, arising from the use of the Merchandise and for punitive, incidental or consequential damages, including, but not limited to, damages to property, for loss of use, loss of time, loss of profit or loss of income. The Company does not authorize the sale of our products under any other warranty, expressed or implied.
6. **SETOFF.** All claims for money due or to become due from the Company shall be subject to deduction by the Company for any setoff or counterclaim arising out of this or any other claims of the Company or its affiliated companies, whether such setoff or counterclaim arose before or after any assignment by Purchaser.
7. **INDEMNIFICATION.** Purchaser agrees to indemnify the Company and hold it harmless from and against all claims, liability, loss, damage or expense, including reasonable counsel fees, arising from or by reason of any modifications or alterations made by Purchaser. If a customer of the Company modifies or alters any part, in any manner whatsoever, or uses any part in departure from recommended performance specifications, said customer agrees to indemnify and hold the Company harmless from and against all liability and expenses based on damage to property or injury to or death of any person arising out of or attributable to such modified or altered part. Further, the Company will not accept any such modified or altered part for credit to a customer's account.
8. **FREIGHT POLICY.** Freight charges on individual orders less than \$3,000 in net value are prepaid and added to invoice or collect F.O.B. shipping point. Freight charges (standard ground service and continental US only) on individual orders more than \$3,000 net value are paid by the Company F.O.B. shipping point. Note: customers with C.O.D. terms are responsible for all carrier C.O.D. fees regardless of order net value.
9. **RETURN POLICY.** To return parts for credit or inspection Purchaser must first contact the Company to obtain a Return Goods Authorization number (RGA#). Once Purchaser has obtained an RGA# the parts can be returned freight prepaid only. The RGA# must be on the outside of the container in a highly visible location. All parts must be returned freight prepaid and the shipment must include a letter of explanation giving the specific reason for return including details as to the conditions under which the part or parts operated. Note: parts returned without an RGA#, freight collect or without written explanation may be refused. Parts which have been used in any way or manner, including any installation or incorporation into a lift or hoist, shall NOT be eligible for return whether or not an RGA has been assigned.
10. **RESTOCK CHARGE.** Returns are subject to up to twenty-five (25%) restocking charge. Refusals are subject to the same restocking charge plus the cost of outbound and return freight charges and/or fees incurred by the Company due to shipment refusal.
11. **PRICES AND PAYMENTS.** All prices are subject to change without notice. All prices are F.O.B. shipping point. The Company standard terms are net 30 days, C.O.D. company check, C.O.D. cash, VISA, MasterCard, Discover or American Express. However, if in the judgment of the Company, the financial condition of the Purchaser at any time does not justify shipment according to standard terms of payment, the Company may require full or partial payment in advance.
12. **INTERPRETATION.** This sales order is intended by the parties as a complete and exclusive statement of the terms of their agreement. It supersedes all prior agreements, written or oral. No course of prior dealings between the parties and no usage of the trade shall be relevant to supplement or explain any terms used in this sales order. Acceptance or acquiescence in a course of performance rendered under this purchase order shall not be relevant to determine the meaning of this sales order even though the accepting or acquiescing party has knowledge of the nature of the performance and opportunity for objection. Whenever a term defined by the UCC is used in this sales order the definition contained in the UCC shall control.
13. **MODIFICATION.** This sales order can be modified or rescinded only by a writing signed by both parties.
14. **WAIVER.** No claim or right arising out of a breach of this sales order can be discharged in whole or in part by a waiver or renunciation of the claim or right unless such waiver or renunciation is supported by consideration and is in writing signed by the aggrieved party.
15. **ASSIGNMENT.** No right or interest in this sales order shall be assigned by either party without the written consent of the other and no delegation of any obligation owed, or of the performance of any obligation by either the Company or Purchaser shall be made without the written consent of the other party. Any attempted assignment or delegation not made in conformity with this paragraph shall be wholly void and totally ineffective for all purposes.
16. **TIME TO PERFORM AND BRING ACTION.** Time is of the essence of this sales order. Any action for breach of this sales order shall be commenced within two (2) years after the cause of action has accrued. Any party who loses any litigation shall reimburse the other party for costs including reasonable attorneys fees. The exclusive jurisdiction for any legal action shall be the Circuit Court of DeKalb County, Illinois.
17. **APPLICABLE LAW.** This sales order shall be governed by the UCC of Illinois as effective and in force on the date of this sales order.

*Offering the Best in Automotive Lift Repair Parts and More!*

---

Auto Lift Cables • Auto Lift Parts • Brake Lathe Repair Parts

Compressed Air Repair Parts • Exhaust System Products • Fluid Delivery Repair Parts

Lubrication Equipment Repair Parts • Repair Parts for Gasboy Consumer Series

Service Station Pump and Tank Products • SVI Misc Auto Lift Products and Catalogs

Tire Changer Repair Parts • Vehicle Lifting Systems • Wheel Balancer Accessories

---

***Serving the Industry Since 1977 • Same-Day Shipping***



**SVI International, Inc.**

**(800) 321-8173 • fax: (800) 899-1784**

155 Harvestore Drive • DeKalb, IL 60115

**[www.sviinternational.com](http://www.sviinternational.com)**

**BALTIMORE • CHICAGO • LOS ANGELES**

While the utmost care has been used in compiling this reference material, we assume no responsibility for errors. Specifications are subject to change without notice. This edition supersedes all previous editions or issues. SVI reference material is subject to change without notice. All rights reserved.