

Automotive Lift

R E P A I R P A R T S



SVI International, Inc.
(800) 321-8173 • fax: (800) 899-1784
155 Harvestore Drive • DeKalb, IL 60115
www.sviinternational.com

BALTIMORE • CHICAGO • LOS ANGELES

Repair Parts for: **ALM**

Repair Parts for:

ALM

LRC7150



Seal Kits

SVI Part #	Ref. OEM #	For ALM Model / Description
BH-7150-05		Seal Kit for 7001 with Davis Cylinder
BH-7150-90	X00629	Seal Kit
BH-7150-92	X00614	Seal Kit for 4-Post 27501
BH-7151-02	X00256	Seal Kit for 9001 (some) - <i>(pictured below)</i>
BH-7151-03	X00257	Seal Kit for Davis Made Cylinder <i>(pictured below)</i>
BH-7151-04	X00252	Seal Kit Current Prod. Cyl. 9,000 lb. with Waltco Cylinder <i>(pictured below)</i>
BH-7151-05	X00260	Seal Kit 12,000 lb. with Waltco Cylinder <i>(pictured below)</i>
BH-7151-52	X00342	Seal Kit 7002A, 9002A, some 9003A and 12000-2P <i>(pictured below)</i>
BH-7151-71	X00585	Seal Kit for Direct-Drive Cylinders <i>(pictured below)</i>
BH-7151-74	X00623	Seal Kit for 15001 <i>(pictured below)</i>
BH-7152-36	X00441	Seal Kit for 9003A for Chain Over Cylinders
BH-7152-37	X00365	Seal Kit <i>(pictured below)</i>
BH-7152-39		Seal Kit 15001 Serial # 812-01075
BH-7157-47	X-00549	Seal Kit



BH-7151-02



BH-7151-05



BH-7151-52



BH-7151-71



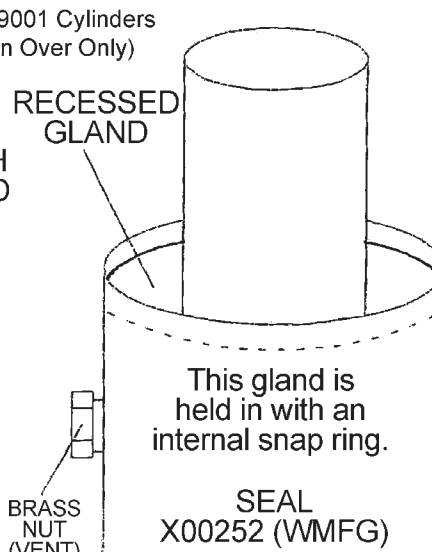
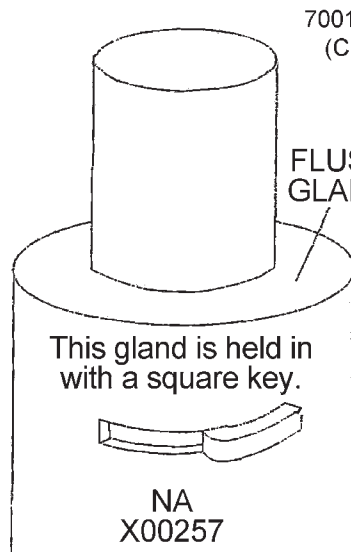
BH-7151-74



BH-7152-37



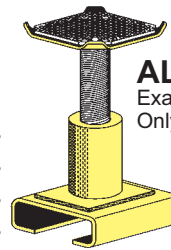
BH-7151-03



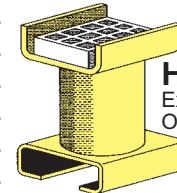
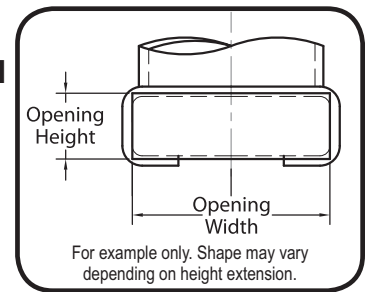
BH-7151-04

Height Extensions and Rubber Pads

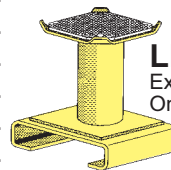
SVI Part #	Ext. Style	Ext. Height	Opening Width	Opening Height	Features Rubber Pad
BH-7150-43	HDR	4"	6-9/16"	1-5/16"	BH-7205
BH-7150-45	HDR	6"	6-9/16"	1-5/16"	BH-7205
BH-7150-49	HDR	10"	6-9/16"	1-5/16"	BH-7205
BH-7150-35	LDH	4"	6-1/2"	1-5/16"	BH-7225-01
BH-7150-01	LDH	6"	6-1/2"	1-5/16"	BH-7225-01
BH-7150-41	LDH	10"	6-1/2"	1-5/16"	BH-7225-01
BH-7150-52	ALDH	4-6"	6-1/2"	1-5/16"	BH-7225-01
BH-7150-53	ALDH	6-9.5"	6-1/2"	1-5/16"	BH-7225-01
BH-7150-54	AHDR	4-6"	6-1/2"	1-5/16"	BH-7205
BH-7150-55	AHDR	6-9.5"	6-1/2"	1-5/16"	BH-7205
BH-7150-75	AHDRNRW	4-6"	6-9/16"	1-5/16"	BH-7205
BH-7150-76	AHDRNRW	6-9"	6-9/16"	1-5/16"	BH-7205
BH-7150-03	ARND	6"	6-9/16"	1-5/16"	BH-7150-02
BH-7150-04	ARND	9"	6-9/16"	1-5/16"	BH-7150-02
BH-7150-28	AARND	4-6"	6-9/16"	1-5/16"	BH-7150-02
BH-7150-29	AARND	6-9.5"	6-9/16"	1-5/16"	BH-7150-02



ALDH
Example Only



HDR
Example Only



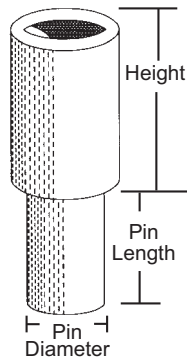
LDH
Example Only



BH-7150-02



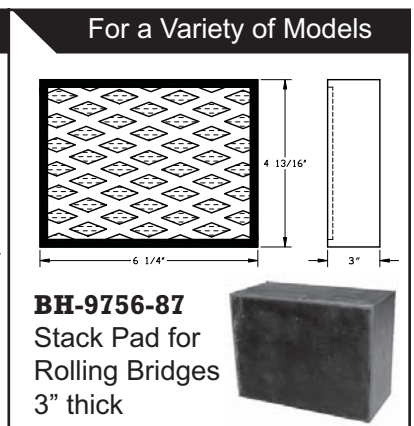
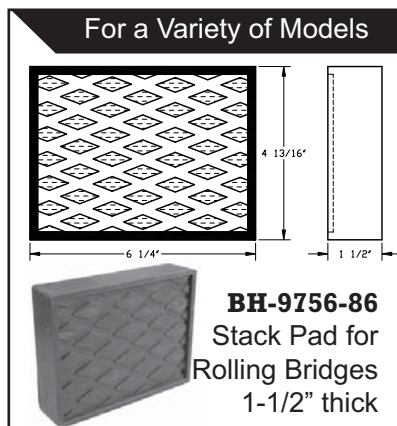
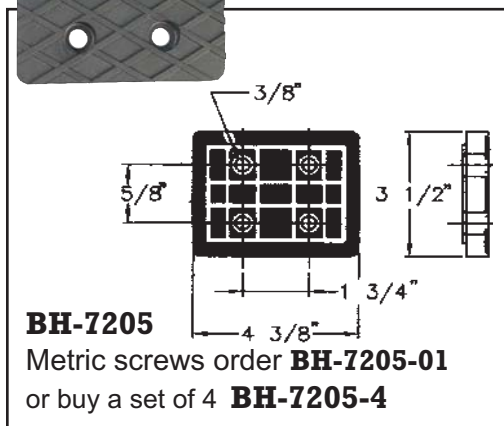
BH-7225-01



Nesting Style

SVI Part #	Height	Pin Length	Pin Diameter
BH-7533-98S	2-1/2"	1-1/2"	1-1/2"
BH-7101-02	2-5/8"	2"	1-1/2"
BH-7090-14	3"	2"	1-1/2"
BH-7101-04	3-1/2"	2"	1-1/2"
BH-7533-96	4"	1-1/2"	1-1/2"
BH-7090-15	4"	2"	1-1/2"
BH-7101-03	5"	2"	1-1/2"
BH-7090-16	6"	2"	1-1/2"
BH-7090-17	7"	2"	1-1/2"
BH-7533-97	8"	3-1/8"	1-1/2"

For Nesting Style, please verify pin diameter used on the lift before ordering.



We have many nesting style extensions to fit your lift!

All names, numbers, symbols and descriptions are used for reference purposes only. It is not implied that any part listed is the product of these manufacturers; however, some parts may be the actual product of these manufacturers.



Commonly Used Parts



BH-7152-06
Air Cylinder



BH-7152-05
Air Release Valve
(for 2-post)



BH-7151-28
Palm Activated
Air Release Valve
(for 4-post)



BH-7150-14
Slider Block



BH-7157-49
Slider Block
For use on 7002A, 9002A, 15001



BH-7151-22
Cable Sheave 5"



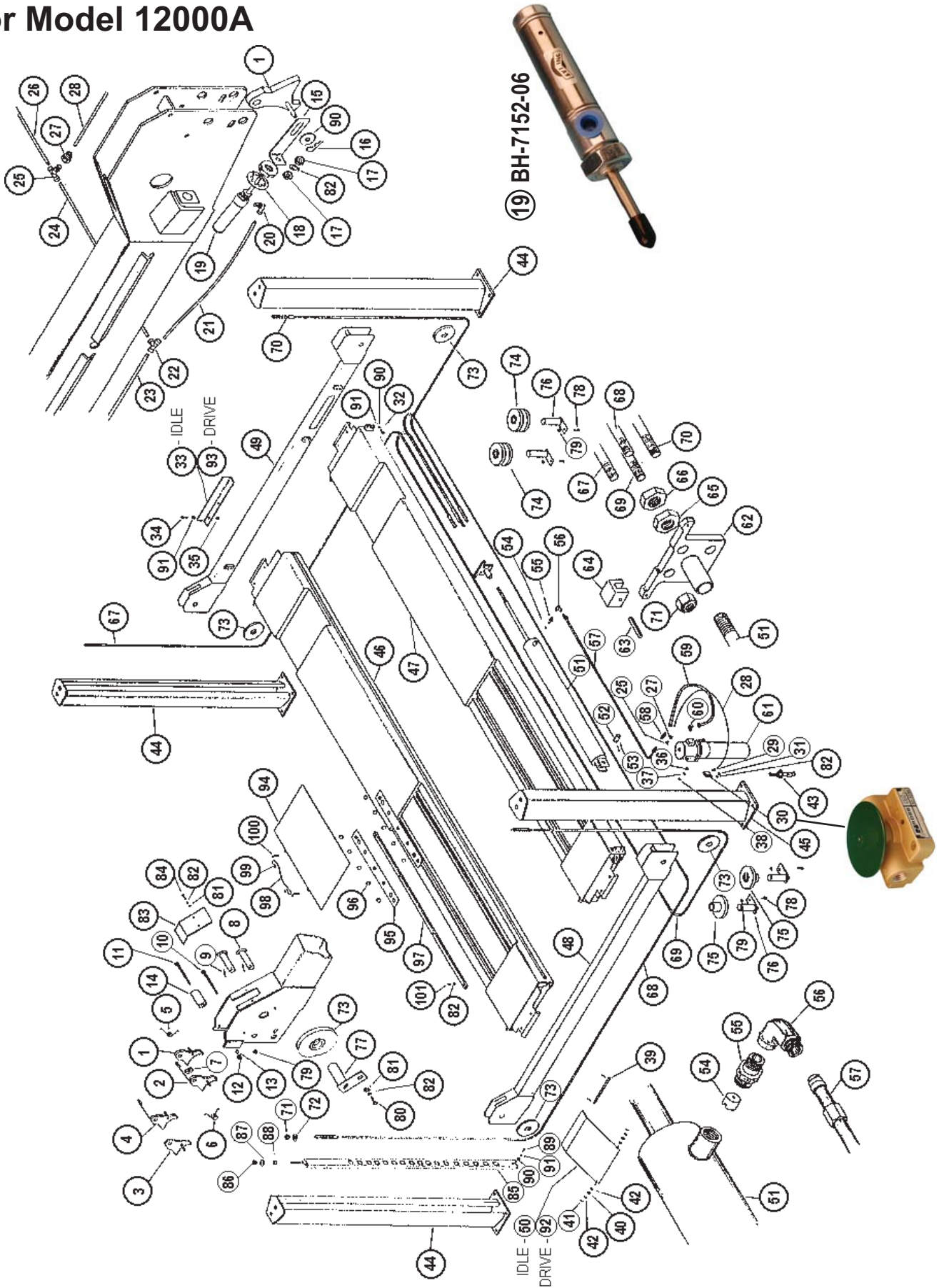
BH-7151-21
Sheave Axle



BH-7150-61
Yoke Bracket
& Roller Assembly



for Model 12000A



0
0
0
0
22



for Model 12000A

Item	SVI #	Ref. OEM #	Description
1	BH-7151-59	12-4123A	Safety Dog Assy
2	BH-7152-20	12-4122A	Safety Dog Assy w/Sensor
3	BH-7154-56	12-4124A	Safety Dog Assy
4	BH-7152-21	12-4121A	Safety Dog Assy w/Sensor
5	BH-7154-57	B121119-02	LH Torsion Spring
6	BH-7154-58	B121119-01	RH Torsion Spring
7	F-FW-0750-SAE	A00003-12	Plain Washer 3/4"
8	BH-7154-59	12-4110A	Safety Dog Mounting Pin Assy
9	BH-7154-60	A00030-14	Cotter Pin 3/16 x 1-3/4
10	F-HC-0250-20-4000	A00004-32	Hex Bolt 1/4-20 x 4
11	BH-7154-62	A00006-36	Hex Capscrew 3/8-16x4-1/2
12	BH-7154-63	A00007-06	Security Locknut 3/8-16
13	F-LW-0375	A00002-06	Split Washer 3/8
14	BH-7154-64	12-4129	Guide Roller
15	BH-7154-65	12-1196	Safety Release Bracket
16	BH-7154-66	X00089	Hair Pin Cotter 1/2"
17	BH-7151-15	A00098-04	Hex Jam Nut 1/4-28
18	BH-7151-26	X00097-10	Internal Tooth Lockwasher 5/8
19	BH-7152-06	A00095	Air Cylinder
20	BH-7152-25	A00082-09	Elbow 5/32 to 1/8 NPT
21	See Air Line Book	A00084-04	Pneumatic Tubing 5/32 x 13-3/8
22	BH-7151-55	A00082-08	Tee 5/32 x 5/32 x 5/32
23	See Air Line Book	A00084-05	Pneumatic Tubing 5/32 x 94-3/4
24	See Air Line Book	A00084-02	Pneumatic Tubing 5/32 x 10
25	BH-7154-70	A00082-07	Branch Tee 5/32 x 5/32 x 1/4
26	See Air Line Book	A00084-06	Pneumatic Tubing 5/32 x 190-1/2
27	BH-7154-72	A00082-06	Bulkhead Fitting 1/4 x 1/4
28	See Air Line Book	A00094-01	Pneumatic Tubing 1/4 x 74-1/2
29	BH-7153-94	A00082-13	Male Connector 1/4 x 1/4
30	BH-7151-28	X00096	Air Valve
31	F-HN-0250-20	A00001-04	Hex Nut 1/4-20
32	F-HC-0500-13-1500	A00008-12	Hex Bolt 1/2-13 x 1-1/2
33	BH-7152-22	12-1139	Wheel Stop
34	F-HC-0500-13-1750	A00008-14	Hex Bolt 1/2-13 x 1-3/4
35	F-HN-0500-13	A00001-08	Hex Nut 1/2-13
36	F-HN-0312-18	A00001-05	Hex Nut 5/16-18
37	F-LW-0312	A00002-05	Split Lockwasher 5/16
38	F-FW-0312-SAE	A00003-05	Plain Washer 5/16
39	BH-7154-79	12-1109	Ramp Pin
40	BH-7150-66	12-1121	Ramp Roller
41	F-CP-093-1000	X00056-08	Cotter Pin 3/32 x 1
42	F-FW-0375-SAE	A00003-06	Plain Washer 3/8"
43	BH-7154-81	X00133	Anchor 5/8 x 4-3/4
44*	BH-7154-22	12-2003A	Column Weldment - Idle
45*	BH-7154-23	12-2004A	Column Weldment - Drive
46*	BH-7154-93	12-3026A	Track Weldment Idle
47*	BH-7154-94	12-3025A	Track Weldment Drive
48*	BH-7154-95	12-4015A	Crosstube Weldment - Drive
49*	BH-7154-96	12-4016A	Crosstube Weldment
50*	BH-7154-89	12-1132A	LH Ramp Assy
51	BH-7154-28	B123117	Hydraulic Cylinder

Item	SVI #	Ref. OEM #	Description
52	BH-7154-29	12-3113	Cylinder Mounting Pin
53	F-CP-187-2000	A00030-16	Cotter Pin 3/16 x 2
55	BH-7151-34	A93109-02	Hex Pipe Nipple 1/4 -1/4 NPT
56	BH-7153-37	A93108-05	Female Elbow 3/8 x 1/4
57	BH-7154-97	12-3171	Hydraulic Tube 3/8 x 82
58	BH-7154-33	A93108-11	Bulkhead Fitting 3/8
59	BH-7154-34	12-1118A	Hydraulic Hose Assy 3/8
60	BH-7154-35	A93108-01	Male Elbow 3/8 x 3/8
61	BH-7154-36	B121115	Hydraulic Power Unit
62	BH-7154-37	12-3109A	End Plate Assy
63	F-RP-250-1750	A00023-28	Roll Pin 1/4 x 1-3/4
64	BH-7154-38	12-3141	Cylinder Rd End Guide
65	F-HN-1125-07	A00001-18	Hex Nut 1-1/8-7
66	F-JN-1125-07	A00060-18	Hex Jam Nut 1-1/8-7
67	BH-7154-98	B121101-13	Cable 7/16 x 212-3/8"
68	BH-7154-99	B121101-14	Cable 7/16 x 420-5/8"
69	BH-7155-00	B121101-15	Cable 7/16 x 357-1/4"
70	BH-7155-01	B121101-16	Cable 7/16 x 149"
71	BH-7154-45	A00007-14	Security Locknut 7/8-9
72	F-FW-0875-USS	A00003-14	Plain Washer 7/8
73	BH-7151-31	12-1104A	Crosstube Sheave Assy
74	BH-7150-63	12-1212A	Double Sheave Assy
75	BH-7150-67	12-1213A	Single Sheave Assy
76	BH-7150-64	12-3122A	Sheave Axle Assy
77	BH-7154-47	12-1111A	Sheave Axle Assy - Crosstube
78	BH-7154-48	X00061-08	Socket Capscrew 1/4-20 x 1
79	BH-7153-70	A00007-04	Security Locknut 1/4-20
80	F-HC-0250-20-1000	A00004-08	Hex Bolt 1/4-20 x 1
81	F-FW-0250-SAE	A00003-04	Plain Washer 1/4
82	F-LW-0250	A00002-04	Split Lockwasher 1/4
83	BH-7154-49	12-1128	Sheave Cover
84	F-HC-0250-20-0500	A00004-04	Hex Bolt 1/4-20 x 1/2
85	BH-7154-50	12-2116A	Safety Channel Assy
86	F-HN-1000-08	A00001-16	Hex Nut 1-8
87	F-FW-1000-USS	A00003-16	Plain Washer 1"
88	F-JN-1000-08	A00060-16	Hex Jam Nut 1-8
89	F-HC-0500-13-1250	A00008-10	Hex Bolt 1/2-13 x 1-1/4
90	BH-7150-80	A00003-08	Plain Washer 1/2
91	F-LW-0500	A00002-08	Split Lockwasher 1/2
92	BH-7152-29	12-1133A	RH Ramp Assy
93	BH-7152-23	12-1140	Wheel Stop
94	BH-7155-02	12-1172A	Slip Plate Assy
95	BH-7155-03	12-1177	Bearing Spacer
96	BH-7155-04	B121178	1" Steel Ball
97	BH-7155-05	12-1176	Roller Plate
98	BH-7155-06	A00019-030	Cable 3/32 x 30"
99	BH-7155-07	A00021-06	Cable Clamp 3/32
100	BH-7155-08	12-1179	Lock Pin
101	F-HC-0250-20-0875	A00004-07	Hex Bolt 1/4-20 x 7/8

Not Pictured:
BH-7152-10 12-1215K2 **Cable & Sheave KIT for 12000A**
Note: Verification of Cable Ends is Necessary

* Custom Order By Request. Sample may be needed.

**TERMS AND CONDITIONS OF THE
SALES ORDER
FOR SVI INTERNATIONAL, INC.**

1. **GENERAL.** The terms and conditions of sales order outlined herein shall apply to the sale by SVI INTERNATIONAL, INC. (hereinafter referred to as "Company") of the items described on the facing page (hereinafter referred to as "Merchandise") to Purchaser.
2. **DELIVERY.** Delivery shall be deemed to be complete when the Merchandise has been shipped F.O.B. Company's plants in DeKalb, Illinois, Duarte, California; and Baltimore, Maryland ("Company's plants"). Shipments are subject to delays from causes or contingencies beyond the reasonable control of the Company. When otherwise not specified, shipments will be made in standard containers via carrier which, in the judgment of the Company, will result in the most practical method. Title and right of possession will pass to the Purchaser upon receipt by the carrier at the shipping point. If a customer of the Company should specify a specific carrier's method of shipment (i.e. UPS Next Day Air) and that carrier does not perform to the customer's expectations, freight credit to a customer's account will not be issued unless the Company can first obtain a credit.
3. **RISK OF LOSS.** Identification of the Merchandise under Uniform Commercial Code (hereinafter referred to as "UCC") Section 2-501 shall take place at the moment of shipment F.O.B. Company's plants. Risk of loss shall pass to the Purchaser when the Merchandise is shipped from the Company's plants.
4. **TITLE.** Title to the merchandise shall transfer to the Purchaser when the Merchandise is shipped from the Company's plants.
5. **WARRANTIES.** The Company guarantees its products to be free from defects in workmanship and raw materials for a period of one year from date of purchase. THIS WARRANTY IS EXPRESSLY IN LIEU OF ANY AND ALL WARRANTIES EXPRESS OR IMPLIED. COMPANY DOES NOT WARRANT THE MERCHANDISE IS MERCHANTABLE OR FIT FOR ANY PARTICULAR PURPOSE. Company's liability for breach of the terms of this Agreement, including any warranty, is limited to either refund of the invoice price of the Merchandise or at Company's option, replacement of the Merchandise free of charge, including transportation charges but not including the cost of labor. Purchaser has not relied on any statement or upon the conduct of Company with respect to the prospective use of the merchandise. Company shall not be liable for and Purchaser waives any and all claims for any loss or damage, directly or indirectly, arising from the use of the Merchandise and for punitive, incidental or consequential damages, including, but not limited to, damages to property, for loss of use, loss of time, loss of profit or loss of income. The Company does not authorize the sale of our products under any other warranty, expressed or implied.
6. **SETOFF.** All claims for money due or to become due from the Company shall be subject to deduction by the Company for any setoff or counterclaim arising out of this or any other claims of the Company or its affiliated companies, whether such setoff or counterclaim arose before or after any assignment by Purchaser.
7. **INDEMNIFICATION.** Purchaser agrees to indemnify the Company and hold it harmless from and against all claims, liability, loss, damage or expense, including reasonable counsel fees, arising from or by reason of any modifications or alterations made by Purchaser. If a customer of the Company modifies or alters any part, in any manner whatsoever, or uses any part in departure from recommended performance specifications, said customer agrees to indemnify and hold the Company harmless from and against all liability and expenses based on damage to property or injury to or death of any person arising out of or attributable to such modified or altered part. Further, the Company will not accept any such modified or altered part for credit to a customer's account.
8. **FREIGHT POLICY.** Freight charges on individual orders less than \$3,000 in net value are prepaid and added to invoice or collect F.O.B. shipping point. Freight charges (standard ground service and continental US only) on individual orders more than \$3,000 net value are paid by the Company F.O.B. shipping point. Note: customers with C.O.D. terms are responsible for all carrier C.O.D. fees regardless of order net value.
9. **RETURN POLICY.** To return parts for credit or inspection Purchaser must first contact the Company to obtain a Return Goods Authorization number (RGA#). Once Purchaser has obtained an RGA# the parts can be returned freight prepaid only. The RGA# must be on the outside of the container in a highly visible location. All parts must be returned freight prepaid and the shipment must include a letter of explanation giving the specific reason for return including details as to the conditions under which the part or parts operated. Note: parts returned without an RGA#, freight collect or without written explanation may be refused. Parts which have been used in any way or manner, including any installation or incorporation into a lift or hoist, shall NOT be eligible for return whether or not an RGA has been assigned.
10. **RESTOCK CHARGE.** Returns are subject to up to twenty-five (25%) restocking charge. Refusals are subject to the same restocking charge plus the cost of outbound and return freight charges and/or fees incurred by the Company due to shipment refusal.
11. **PRICES AND PAYMENTS.** All prices are subject to change without notice. All prices are F.O.B. shipping point. The Company standard terms are net 30 days, C.O.D. company check, C.O.D. cash, VISA, MasterCard, Discover or American Express. However, if in the judgment of the Company, the financial condition of the Purchaser at any time does not justify shipment according to standard terms of payment, the Company may require full or partial payment in advance.
12. **INTERPRETATION.** This sales order is intended by the parties as a complete and exclusive statement of the terms of their agreement. It supersedes all prior agreements, written or oral. No course of prior dealings between the parties and no usage of the trade shall be relevant to supplement or explain any terms used in this sales order. Acceptance or acquiescence in a course of performance rendered under this purchase order shall not be relevant to determine the meaning of this sales order even though the accepting or acquiescing party has knowledge of the nature of the performance and opportunity for objection. Whenever a term defined by the UCC is used in this sales order the definition contained in the UCC shall control.
13. **MODIFICATION.** This sales order can be modified or rescinded only by a writing signed by both parties.
14. **WAIVER.** No claim or right arising out of a breach of this sales order can be discharged in whole or in part by a waiver or renunciation of the claim or right unless such waiver or renunciation is supported by consideration and is in writing signed by the aggrieved party.
15. **ASSIGNMENT.** No right or interest in this sales order shall be assigned by either party without the written consent of the other and no delegation of any obligation owed, or of the performance of any obligation by either the Company or Purchaser shall be made without the written consent of the other party. Any attempted assignment or delegation not made in conformity with this paragraph shall be wholly void and totally ineffective for all purposes.
16. **TIME TO PERFORM AND BRING ACTION.** Time is of the essence of this sales order. Any action for breach of this sales order shall be commenced within two (2) years after the cause of action has accrued. Any party who loses any litigation shall reimburse the other party for costs including reasonable attorneys fees. The exclusive jurisdiction for any legal action shall be the Circuit Court of DeKalb County, Illinois.
17. **APPLICABLE LAW.** This sales order shall be governed by the UCC of Illinois as effective and in force on the date of this sales order.

Offering the Best in Automotive Lift Repair Parts and More!

Auto Lift Cables • Auto Lift Parts • Brake Lathe Repair Parts

Compressed Air Repair Parts • Exhaust System Products • Fluid Delivery Repair Parts

Lubrication Equipment Repair Parts • Repair Parts for Gasboy Consumer Series

Service Station Pump and Tank Products • SVI Misc Auto Lift Products and Catalogs

Tire Changer Repair Parts • Vehicle Lifting Systems • Wheel Balancer Accessories

Serving the Industry Since 1977 • Same-Day Shipping



SVI International, Inc.

(800) 321-8173 • fax: (800) 899-1784

155 Harvestore Drive • DeKalb, IL 60115

www.sviinternational.com

BALTIMORE • CHICAGO • LOS ANGELES

While the utmost care has been used in compiling this reference material, we assume no responsibility for errors. Specifications are subject to change without notice. This edition supersedes all previous editions or issues. SVI reference material is subject to change without notice. All rights reserved.