

# Automotive Lift

R E P A I R P A R T S



**SVI International, Inc.**  
**(800) 321-8173 • fax: (800) 899-1784**  
155 Harvestore Drive • DeKalb, IL 60115  
**[www.sviinternational.com](http://www.sviinternational.com)**

**BALTIMORE • CHICAGO • LOS ANGELES**

Repair Parts for: **ALM**

Repair Parts for:

**ALM**

LRC7150

## Table of Contents

Seal Kits .....	2
Height Extensions and Rubber Pads.....	3
Commonly Used Parts.....	4
for Models 7001, 7001A, 9001 .....	5-7
for Model 7002A .....	8-9
for Model 9002A .....	10-11
for Models 9003 and 9003A.....	12-13
for Model 10001.....	14-15
for Model 12001.....	16-17
for Model 15001.....	18-19
for Models 12000, 12000S, 12000WT, 12000WTS .....	20-21
for Model 12000A .....	22-23



BALTIMORE • CHICAGO • LOS ANGELES

**(800) 321-8173 • fax: (800) 899-1784**

[www.sviinternational.com](http://www.sviinternational.com)



## Seal Kits

SVI Part #	Ref. OEM #	For ALM Model / Description
BH-7150-05		Seal Kit for 7001 with Davis Cylinder
BH-7150-90	X00629	Seal Kit
BH-7150-92	X00614	Seal Kit for 4-Post 27501
BH-7151-02	X00256	Seal Kit for 9001 (some) - <i>(pictured below)</i>
BH-7151-03	X00257	Seal Kit for Davis Made Cylinder <i>(pictured below)</i>
BH-7151-04	X00252	Seal Kit Current Prod. Cyl. 9,000 lb. with Waltco Cylinder <i>(pictured below)</i>
BH-7151-05	X00260	Seal Kit 12,000 lb. with Waltco Cylinder <i>(pictured below)</i>
BH-7151-52	X00342	Seal Kit 7002A, 9002A, some 9003A and 12000-2P <i>(pictured below)</i>
BH-7151-71	X00585	Seal Kit for Direct-Drive Cylinders <i>(pictured below)</i>
BH-7151-74	X00623	Seal Kit for 15001 <i>(pictured below)</i>
BH-7152-36	X00441	Seal Kit for 9003A for Chain Over Cylinders
BH-7152-37	X00365	Seal Kit <i>(pictured below)</i>
BH-7152-39		Seal Kit 15001 Serial # 812-01075
BH-7157-47	X-00549	Seal Kit



**BH-7151-02**



**BH-7151-05**



**BH-7151-52**



**BH-7151-71**



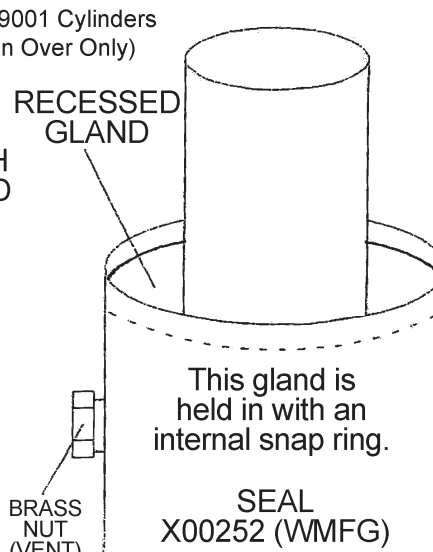
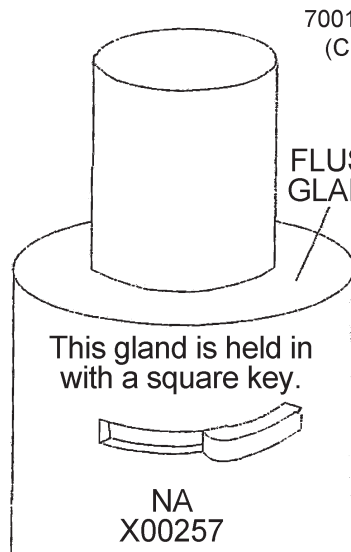
**BH-7151-74**



**BH-7152-37**



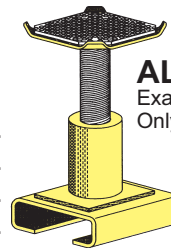
**BH-7151-03**



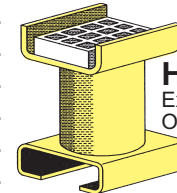
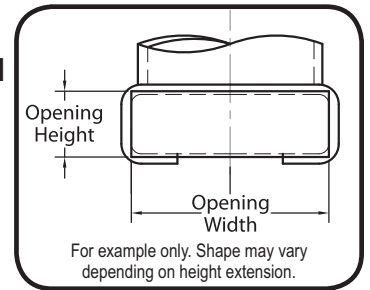
**BH-7151-04**

## Height Extensions and Rubber Pads

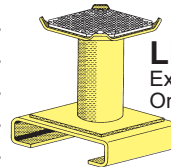
SVI Part #	Ext. Style	Ext. Height	Opening Width	Opening Height	Features Rubber Pad
BH-7150-43	HDR	4"	6-9/16"	1-5/16"	BH-7205
BH-7150-45	HDR	6"	6-9/16"	1-5/16"	BH-7205
BH-7150-49	HDR	10"	6-9/16"	1-5/16"	BH-7205
BH-7150-35	LDH	4"	6-1/2"	1-5/16"	BH-7225-01
<b>BH-7150-01</b>	LDH	6"	6-1/2"	1-5/16"	BH-7225-01
BH-7150-41	LDH	10"	6-1/2"	1-5/16"	BH-7225-01
BH-7150-52	ALDH	4-6"	6-1/2"	1-5/16"	BH-7225-01
BH-7150-53	ALDH	6-9.5"	6-1/2"	1-5/16"	BH-7225-01
BH-7150-54	AHDR	4-6"	6-1/2"	1-5/16"	BH-7205
BH-7150-55	AHDR	6-9.5"	6-1/2"	1-5/16"	BH-7205
BH-7150-75	AHDRNRW	4-6"	6-9/16"	1-5/16"	BH-7205
BH-7150-76	AHDRNRW	6-9"	6-9/16"	1-5/16"	BH-7205
BH-7150-03	ARND	6"	6-9/16"	1-5/16"	BH-7150-02
BH-7150-04	ARND	9"	6-9/16"	1-5/16"	BH-7150-02
BH-7150-28	AARND	4-6"	6-9/16"	1-5/16"	BH-7150-02
<b>BH-7150-29</b>	AARND	6-9.5"	6-9/16"	1-5/16"	BH-7150-02



**ALDH**  
Example Only



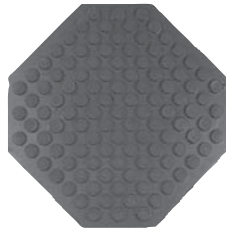
**HDR**  
Example Only



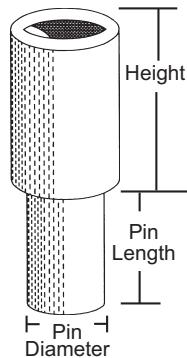
**LDH**  
Example Only



**BH-7150-02**



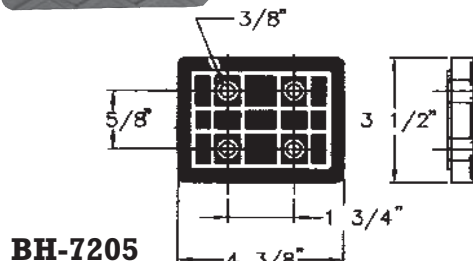
**BH-7225-01**



## Nesting Style

SVI Part #	Height	Pin Length	Pin Diameter
BH-7533-98S	2-1/2"	1-1/2"	1-1/2"
BH-7101-02	2-5/8"	2"	1-1/2"
BH-7090-14	3"	2"	1-1/2"
BH-7101-04	3-1/2"	2"	1-1/2"
BH-7533-96	4"	1-1/2"	1-1/2"
BH-7090-15	4"	2"	1-1/2"
BH-7101-03	5"	2"	1-1/2"
BH-7090-16	6"	2"	1-1/2"
BH-7090-17	7"	2"	1-1/2"
BH-7533-97	8"	3-1/8"	1-1/2"

For Nesting Style, please verify pin diameter used on the lift before ordering.



**BH-7205**  
Metric screws order **BH-7205-01**  
or buy a set of 4 **BH-7205-4**

For a Variety of Models

**BH-9756-86**  
Stack Pad for Rolling Bridges  
1-1/2" thick

For a Variety of Models

**BH-9756-87**  
Stack Pad for Rolling Bridges  
3" thick

**We have many nesting style extensions to fit your lift!**

All names, numbers, symbols and descriptions are used for reference purposes only. It is not implied that any part listed is the product of these manufacturers; however, some parts may be the actual product of these manufacturers.



## Commonly Used Parts



**BH-7152-06**  
**Air Cylinder**



**BH-7151-22**  
**Cable Sheave 5"**



**BH-7152-05**  
**Air Release Valve**  
**(for 2-post)**



**BH-7151-21**  
**Sheave Axle**



**BH-7151-28**  
**Palm Activated**  
**Air Release Valve**  
**(for 4-post)**



**BH-7150-61**  
**Yoke Bracket**  
**& Roller Assembly**



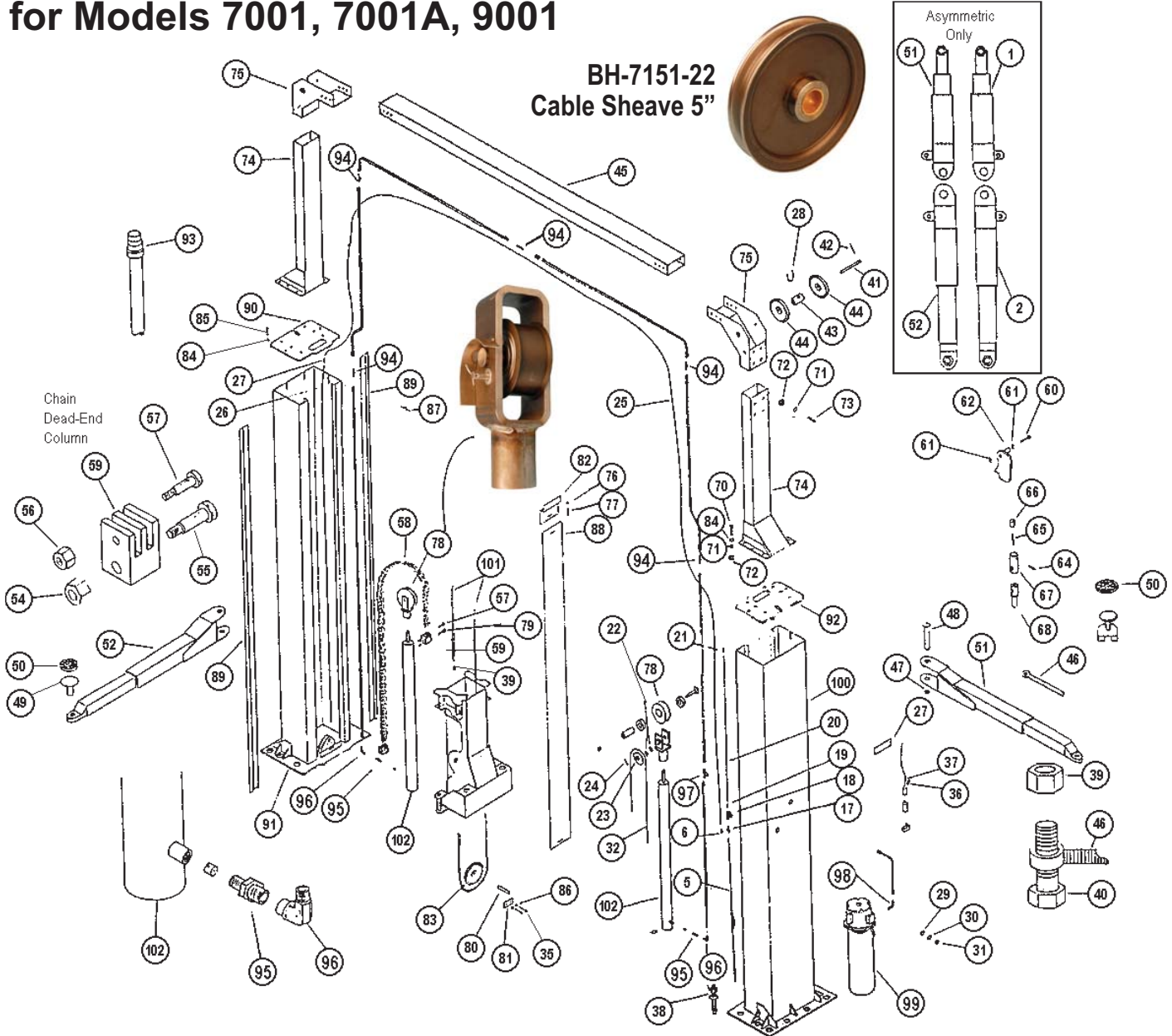
**BH-7150-14**  
**Slider Block**



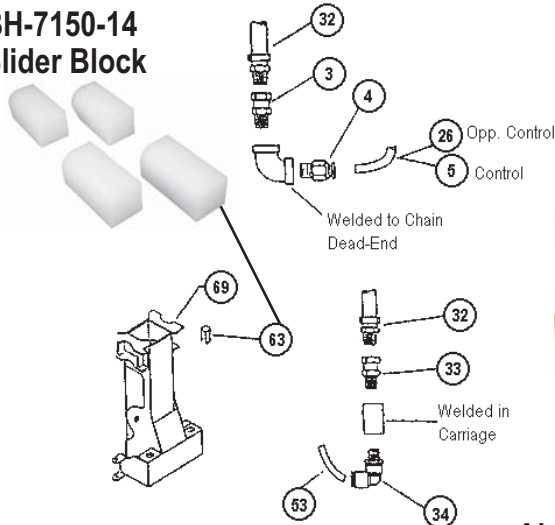
**BH-7157-49**  
**Slider Block**  
For use on 7002A, 9002A, 15001

**BH-7152-08**  
**100' of 5/32" Airline**  
**(No fittings included)**

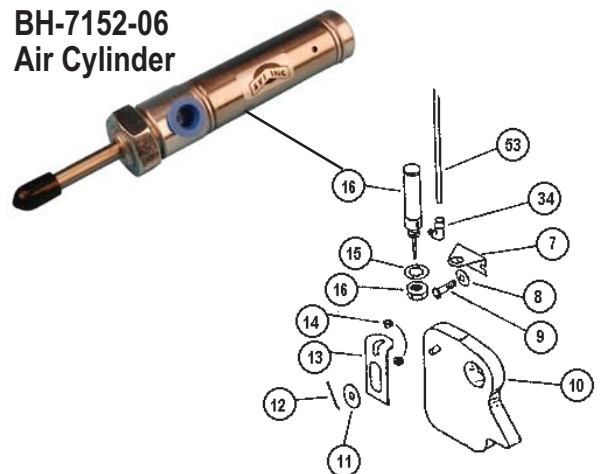
**for Models 7001, 7001A, 9001**



**BH-7150-14  
Slider Block**



**BH-7152-06  
Air Cylinder**



**BH-7152-05  
Air Release Valve**



All names, numbers, symbols and descriptions are used for reference purposes only. It is not implied that any part listed is the product of these manufacturers; however, some parts may be the actual product of these manufacturers.



## for Models 7001, 7001A, 9001

Item	SVI #	Ref. OEM #	Description
1*	BH-7154-02	74-002ARH	RH Short Arm Assy (7001A)
2*	BH-7151-56	74-001ARH	RH Long Arm Assy (7001A)
3	BH-7153-86	A00081-08	Pipe Swivel Adapter 1/8"
4	BH-7154-01	A00082-03	Male Air Hose Fitting
5	See Air Line Book	A00084-14	Pneumatic Tubing 5/32 x 55-1/4
6	BH-7153-99	A00082-14	Plug In Elbow
7	BH-7152-07	A00100	Air Cylinder Mounting Bracket
8	F-FW-0250-SAE	A00003-04	1/4" Plain Washer
9	F-HC-0250-20-1000	A00004-08	Hex Bolt 1/4-20 x 1 (7001A)
	BH-7154-05	A00004-12	Hex Bolt 1/4-20 x 1-1/2 (9001)
10	BH-7151-27	92-136A	Safety Weldment
11	BH-7151-18	A00126-18	3/8" Fender Washer
12	BH-7151-17	A00056-08	Cotter Pin 3/32 x 1
13	BH-7151-16	92-137	Safety Dog Release Bracket
14	BH-7151-15	A00098-04	Hex Jam Nut 1/4-28
15	BH-7151-26	X00097-10	Internal Tooth Lockwasher 5/8
16	<b>BH-7152-06</b>	<b>A00095</b>	<b>Air Cylinder</b>
17	BH-7153-97	A00082-15	Male Running Tee
18	<b>BH-7152-05</b>	<b>X00113</b>	<b>Air Release Valve</b>
19	BH-7153-96	A00082-10	Male Connector 1/4 - 1/8 NPT
20	See Air Line Book	A00094-02	Pneumatic Tubing 1/4 x 48 7001A
	See Air Line Book	A00094-03	Pneumatic Tubing 1/4 x 51 9001
21	BH-7153-94	A00082-13	Male Connector
22	F-FW-0375-SAE	A00003-06	3/8" Plain Washer
23	<b>BH-7151-65</b>	<b>93-117</b>	<b>Air Hose Pulley</b>
24	BH-7151-17	A00056-08	Cotter Pin 3/32 x 1
25	See Air Line Book	A00084-21	Pneumatic Tubing 5/32 x 287
26	See Air Line Book	A00084-09	Pneumatic Tubing 5/32 x 101 7001A
	See Air Line Book	A00084-11	Pneumatic Tubing 5/32 x 104 9001
27	BH-7153-91	A00082-16	Air Hose Coupling
28	BH-7153-90	X00025	Wire Tie
29	F-FW-0312-SAE	A00003-05	5/16" Plain Washer
30	F-LW-0312	A00002-05	5/16" Split Washer
31	F-HN-0312-18	A00001-05	Hex Nut 5/16-18
32	BH-7150-71	93-120A	Air Hose Assembly
33	BH-7153-86	A00081-08	Pipe Swivel Adapter
34	BH-7152-25	A00082-09	Elbow 5/32 to 1/8 NPT
35	F-HC-0250-20-0500	A00004-04	Hex Bolt 1/4-20 x 1/2
36	BH-7153-84	A00021-04	Cable Clamp 1/16"
37	BH-7157-00	A00017-203	Wire Cable 1/16 x 203" 7001
	BH-7153-83	A00017-197	Wire Cable 1/16 x 197" 7001A
	BH-7154-09	A00017-220	Wire Cable 1/16 x 220 9001
38	BH-7075-03L	X00015	3/4 - 5-1/2 Wedge Anchor
39	F-LN-0750-10	A00007-12	Locknut 3/4-10
40	BH-7153-80	A00012-24	Hex Bolt 3/4-10 x 3

Item	SVI #	Ref. OEM #	Description
41	<b>BH-7151-21</b>	<b>91-117</b>	<b>Sheave Axle</b>
42	F-CP-187-1750	X00030-14	Cotter Pin 3/16 x 1-3/4
43	BH-7151-39	91-119A	Spacer & Nut Assy
44	<b>BH-7151-22</b>	<b>A91203</b>	<b>Sheave 5"</b>
45*	BH-7154-08	91-113	Overhead Tube 7001
	BH-7153-78	71-101	Overhead Profile Tube 7001A
	BH-7154-08	91-113	Overhead Profile Tube 9001
46	BH-7151-06	95-107A	Arm Restraint Rod Assy
47	BH-7153-77	X00032	1-1/2" Snap Ring
48	BH-7153-62	72-110A	Arm Pin Assy 7001A
	BH-7154-03	92-120A	Arm Pin Assy 9001
49	BH-7151-49	74-129A	Nesting Style Adapter 7001A
	BH-7154-07	94-209A	Lift Pad Assembly 9001 Threaded 1-3/8"-6 (Pad not incl.)
50	BH-7150-02	A94208	Rubber Lift Pad
51*	BH-7156-99	74-003ARH	RH Arm Assy 7001
	BH-7153-75	74-002ALH	LH Short Arm Assy 7001A
	BH-7151-63	94-001ARH	RH Arm Assy 9001
52*	BH-7156-98	74-003ALH	LH Arm Assy 7001
	BH-7153-74	74-001ALH	LH Long Arm Assy 7001A
	BH-7154-06	94-001ALH	LH Arm Assy 9001
53	See Air Line Book	A00084-07	Pneumatic Tubing 5/32 x 40
54	BH-7153-72	A00007-07	Locknut 7/16-14
55	BH-7153-71	A00050-32	Socket Head Screw 7/16-14 x 4
56	BH-7153-70	A00007-04	Security Locknut 1/4-20
57	BH-7153-69	A00027	Shoulder Bolt 5/16 x 1-1/2
58	BH-7033	A92123	3/4 Pitch Leaf Chain 84 pitches
59	BH-7153-67	92-111	Chain Dead End
60	BH-7153-66	A00013-24	Hex Bolt 3/4-10 x 3
61	F-FW-0750-SAE	A00003-12	1/4" Plain Washer
62	BH-7153-64	92-303	Safety Block Spacer
63	<b>BH-7150-14</b>	<b>92-115</b>	<b>Slider Block</b>
64	F-RP-250-1750	A00023-28	Roll Pin 1/4 x 1-3/4
65	BH-7151-12	A92132	Arm Restraint Spring
66	BH-7151-11	92-131	Arm Restraint End Cap
67	BH-7151-14	92-129	Arm Restraint Housing
68	BH-7151-13	92-130	Arm Restraint Plunger
69*	BH-7153-61	72-006A	Carriage Weldment 7001A
	BH-7154-21	92-004A	Carriage Weldment 9001
70	F-HC-0375-16-1250	A00006-12	Hex Bolt 3/8-16 x 1-1/4
71	F-LW-0375	A00002-06	3/8" Split Washer
72	F-HN-0375-16	A00001-06	Hex Nut 3/8-16
73	F-HC-0375-16-1000	A00006-08	Hex Bolt 3/8-16 x 1
74*	BH-7153-57	71-004A	Pedestal Weldment 7001A
	BH-7154-20	91-003A	Pedestal Weldment 9001
75*	BH-7153-56	91-004A	Corner Assy

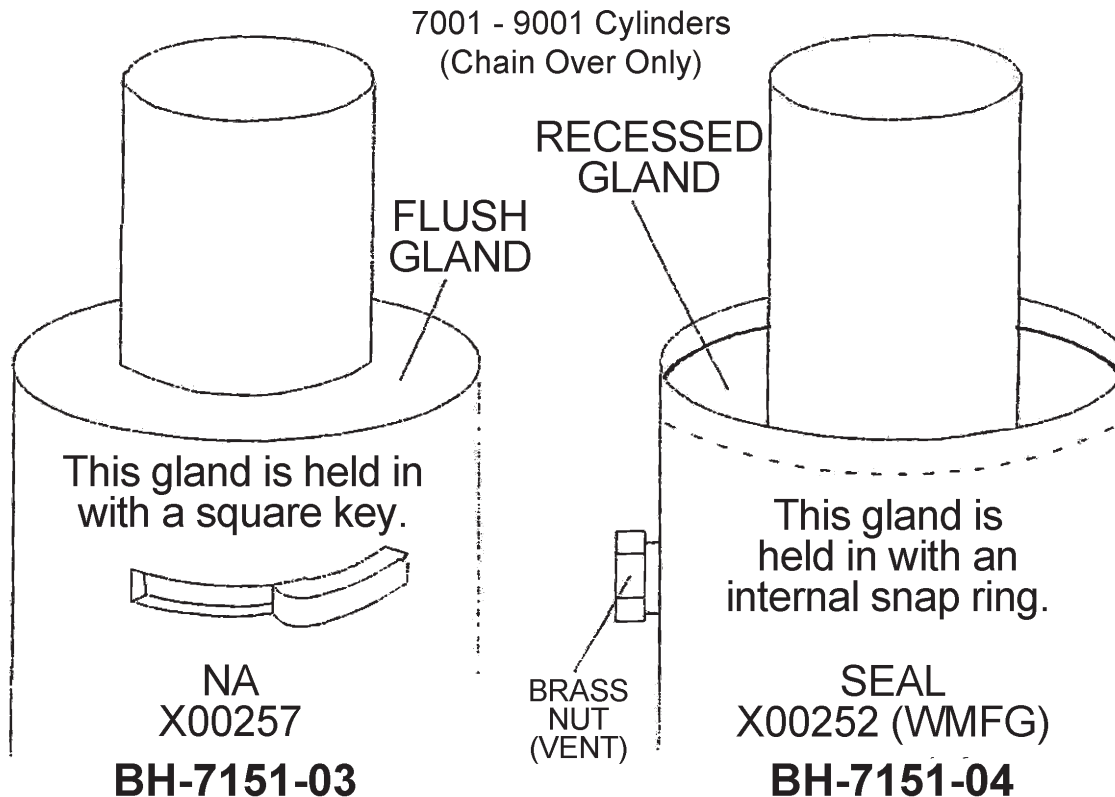
\* Custom Order By Request. Sample may be needed.

## for Models 7001, 7001A, 9001

Item	SVI #	Ref. OEM #	Description
76	F-FW-0250-SAE	A00003-04	1/4" Plain Washer
77	F-MS-0250-20-1750	X00011-14	Machine Screw 1/4-20 x 1-3/4
78	<b>BH-7150-61</b>	<b>93-115A / 93-222A</b>	<b>Pulley Bracket Assy</b>
79	F-SC-0437-14-3000	A00194	Socket Head Cap Screw
80	BH-7150-20A	90-130	Sheave Axle
81	BH-7153-51	90-118	Keeper Plate
82	BH-7153-50	90-122	Column Cover Clip
83	<b>BH-7151-22</b>	<b>A90124</b>	<b>Sheave 5"</b>
84	F-FW-0375-SAE	A00003-06	3/8" Plain Washer
85	F-HC-0375-16-1250	A00006-12	Hex Bolt 3/8-16 x 1-1/4
86	F-LW-0250	A00002-04	1/4" Split Lockwasher
87	BH-7153-46	X90109	Rivet
88	BH-7153-45	70-104	Column Cover Plate 7001A
	BH-7154-19	90-123	Column Cover Plate 9001
89	BH-7153-44	70-004A	Rubber Guard 7001A
	BH-7152-24	90-004A	Rubber Guard 9001
90	BH-7153-43	90-014A	Top Plate Assy, Idle Column
91*	BH-7153-42	70-008A	Idle Column Assy 7001A
	BH-7154-18	90-010A	Idle Column Assy 9001

Item	SVI #	Ref. OEM #	Description
92	BH-7153-41	90-012A	Column Top Plate Assy
93	BH-7153-40	A93108-08	3/8" Ferrulok Ferrule
94	BH-7151-40	A93108-03	Union 3/8" Tube
95	BH-7151-34	A93109-02	Hex Pipe Nipple 1/4 - 3/8
96	BH-7153-37	A93108-05	Female Elbow 3/8 x 1/4
97	BH-7153-36	A93108-02	Tee Union 3/8 x 3/8 x 3/8
98	BH-7153-35	A93108-01	Male Elbow 3/8 x 3/8
99	BH-7006-01		Hyd. Power Unit 1PH
	BH-7006-03		Hyd. Power Unit 3PH
100*	BH-7153-28	70-007A	Drive Column Assy 7001A
	BH-7154-12	90-009A	Drive Column Assy 9001
101	BH-7153-23	A93133-05	Eq Cable 3/8 x 3/8 7001A
	BH-7150-13	A93133-01	Eq Cable 3/8 x 417 9001
102	BH-7150-19	A93102	Hydraulic Cylinder
	BH-7151-03	X00257	Seal Kit
	BH-7151-04	X00252	Seal Kit
	BH-7151-02	X00256	Seal Kit (for some 9001)

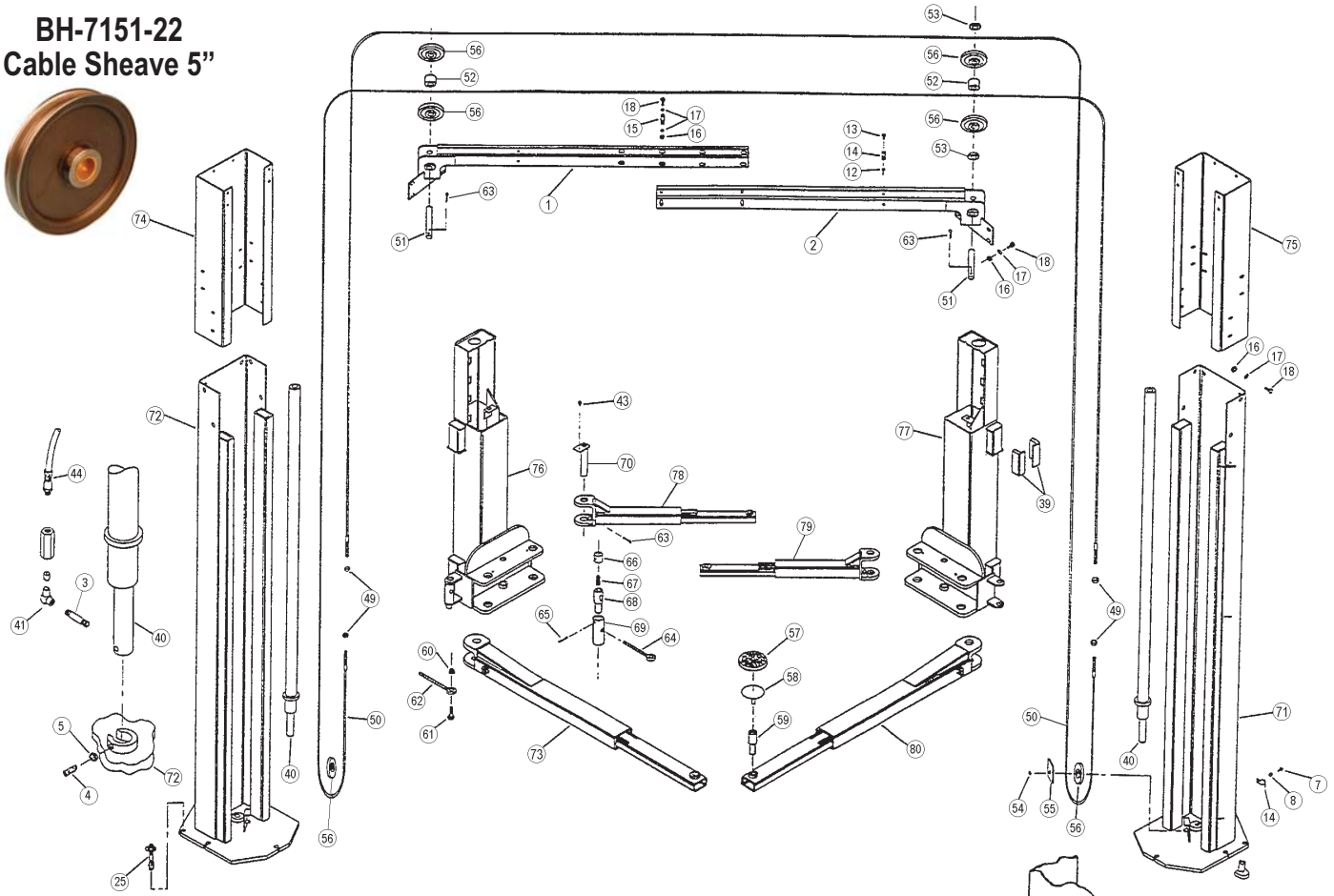
\* Custom Order By Request. Sample may be needed.





# for Model 7002A

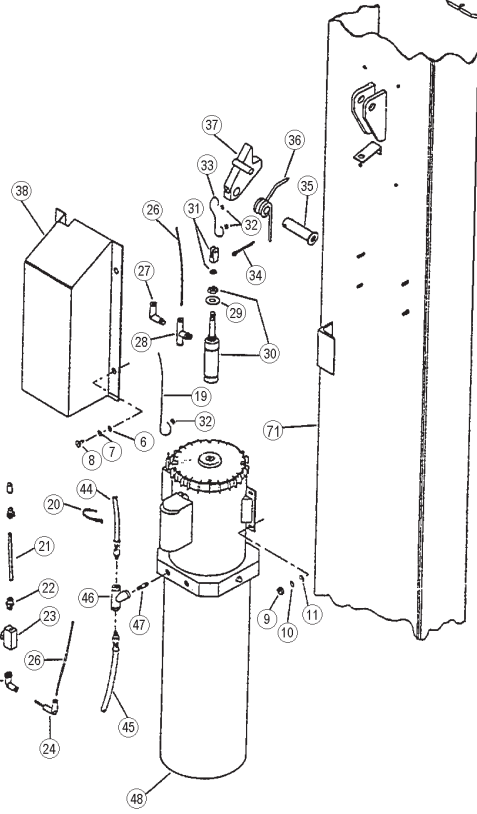
## BH-7151-22 Cable Sheave 5"



## 30 BH-7152-06 Air Cylinder



## BH-7152-05 Air Release Valve





**for Model 7002A**

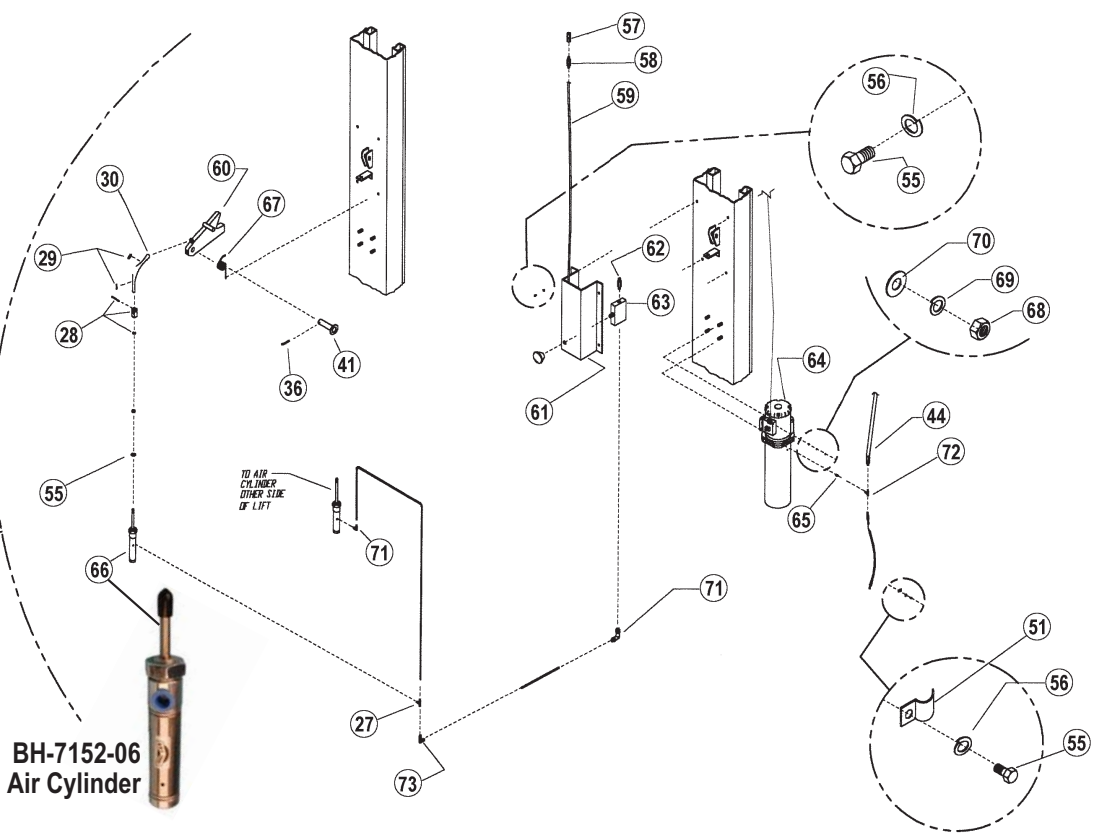
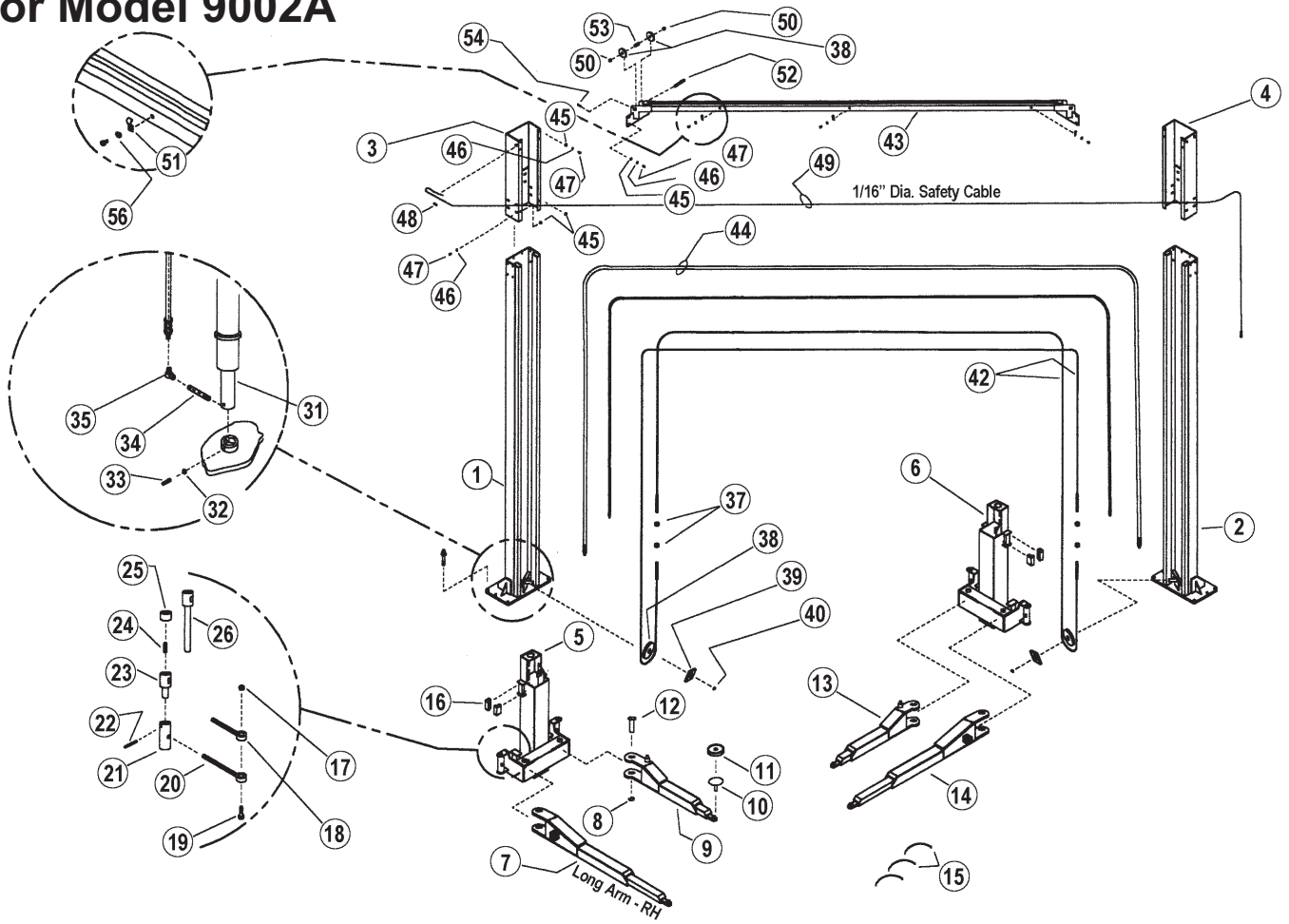
Item	SVI #	Ref. OEM #	Description
1	BH-7157-11	07-1005A	Inner Profile Top Member
2	BH-7150-59	07-1004A	Drive Profile Top Member
3	BH-7157-43	A93109-13	1/4 NPT x 2-1/2" Nipple
4	BH-7157-42	A00183-12	Dog Point Set Screw
5	BH-7157-41	A00060-06	Hex Jam Nut 3/8-16
6	F-FW-0250-SAE	A00003-04	1/4" Plain Washer
7	F-LW-0250	A00002-04	1/4" Split Washer
8	F-HC-0250-20-0500	A00189-04	Hex Head Screw 1/4-20 x 1/2
9	F-HN-0312-18	A00001-05	Hex Nut 5/16-18
10	F-LW-0312	A00002-05	5/16" Split Lockwasher
11	F-FW-0312-SAE	A00003-05	5/16" Plain Washer
12	BH-7153-70	A00007-04	Security Locknut 1/4-20
13	F-HC-0250-20-0500	A00004-04	Hex Bolt 1/4-20 x 1/2
14	BH-7157-39	A00186	Hose Clip
15	BH-7157-38	07-3153	Hose Mounting Clip
16	BH-7154-63	A00007-06	Security Locknut 3/8-16
17	F-FW-0375-SAE	A00003-06	3/8" Plain Washer
18	F-HC-0375-16-1250	A00006-10	Hex Bolt 3/8-16 x 1-1/4
19	BH-7157-36	A00017-210	Cable 1/16 x 210
20	BH-7153-90	X00025	Wire Tire 5-1/2"
21	BH-7157-35	A00094-04 / -50FT	Air Hose 1/4" (Sold in 50' Roll)
22	BH-7153-96	A00082-10	Male Connector 1/4 to 1/8 NPT
23	<b>BH-7152-05</b>	<b>X00113</b>	<b>Air Release Valve</b>
24	BH-7153-99	A00082-14	Plug In Elbow 5/32 to 5/32
25	BH-7075-03L	X0015	3/4 X 5-1/2 Wedge Anchor
26	BH-7157-34	A00084-23	Air Hose 5/32 x 312"
27	BH-7152-25	A00082-09	Male Elbow
28	BH-7155-54	A00082-17	Branch Tee 5/32 Hose x 1/8 NPT
29	BH-7151-26	X00097-10	Internal Tooth Lockwasher 5/8
30	<b>BH-7152-06</b>	<b>A00095</b>	<b>Air Cylinder 3/4 x 1</b>
31	BH-7157-33	A073150	Air Cylinder Clevis
32	BH-7153-84	A00021-04	Cable Clamp 1/16"
33	BH-7157-32	A00017-05.7	Cable 1/16 x 5.7"
34	F-CP-187-1500	A00030-12	Cotter Pin 3/16 x 1-1/2
35	BH-7157-30	07-3125A	Safety Dog Axle
36	BH-7152-26	A073132	Safety Torsion Spring 3x2-1/2
37	BH-7157-29	07-3121A	Safety Dog
38	BH-7151-60	07-3151A	Lock Cover
39	<b>BH-7157-49</b>	<b>A073169</b>	<b>Slider Block</b>
40	BH-7150-62	A073110	Hydraulic Cylinder
	BH-7151-52	X00342	Seal Kit
41	BH-7151-36	A93109-12	90° Elbow

Item	SVI #	Ref. OEM #	Description
42	BH-7151-19	07-3146A	Arm Restraint Assembly Short
	BH-7151-19A	07-3147A	Arm Restraint Assembly Long
43	BH-7157-12	A00187-06	Self Tap Screw 1/4-20 x 3/4
44	BH-7157-26	07-3157-01	Hydraulic Hose Assy 3/8 x 30"
45	BH-7157-25	07-3152-01	Hydraulic Hose Assy 3/8 x 44"
46	BH-7157-24	A93109-07	Female Tee 3/8 NPT
47	BH-7157-23	A93109-11	Nipple 3/8 NPT x 1-1/2
48	BH-7006-01		Hyd. Power Unit 1PH
	BH-7006-03		Hyd. Power Unit 3PH
49	BH-7157-21	A00007-08	Nylock Nut 1/2-13
50	BH-7157-20	A073128-01	Cable Assy 364-1/2"
51	BH-7157-19	07-1113	Sheave Pin
52	BH-7157-18	07-1112-01	Spacer Tube
53	BH-7157-17	07-1112-02	Spacer Tube
54	BH-7157-16	X00185-.75	Retaining Ring 3/4"
55	BH-7157-15	07-3160	Sheave Guard
56	<b>BH-7150-20</b>	<b>A073120</b>	<b>Cable Sheave 5"</b>
57	BH-7153-76	A94208	Rubber Lift Pad
58	BH-7150-21	07-4160A	Arm Pick-Up Pad
	BH-7150-02		Rubber Pad
59	BH-7090-14		Arm Pad Ext. Nesting Style 3"
60	F-LN-0750-10	A00007-12	3/4-10 Nylock Locknut
61	BH-7153-80	A00012-24	Hex Bolt 3/4-10 x 3
62	BH-7157-13	07-2158A	Long Arm - Arm Restraint Rod
63	BH-7154-60	A00030-14	Cotter Pin 3/16 x 1-3/4
64	BH-7152-13	07-2156A	Short Arm - Arm Restraint Rod
65	F-RP-250-1750	A00023-28	Roll Pin 1/4 x 1-3/4
66	BH-7151-11	92-131	Arm Restraint End Cap
67	BH-7151-12	A921312	Arm Restraint Spring
68	BH-7151-13	92-130	Arm Restraint Plunger
69	BH-7151-14	92-129	Arm Restraint Housing
70	BH-7151-57	07-3129A	Arm Pins
71*	BH-7157-01	07-0014A	Drive Side Column
72*	BH-7157-02	07-0015A	Final Column
73*	BH-7157-03	07-4014A	Idle Side Long Arm Assy
74*	BH-7157-10	07-1009A	Idle Side Column Extension
75*	BH-7157-09	07-1008A	Drive Side Column Extension
76*	BH-7157-08	07-2012A	Idle Side Carriage Assy
77*	BH-7157-07	07-2009A	Drive Carriage
78*	BH-7157-06	07-4023A	Idle Side Short Arm Assy
79*	BH-7157-05	07-4020A	Drive Side Short Arm Assy
80*	BH-7157-04	07-4024A	Drive Side Long Arm Assy

\* Custom Order By Request. Sample may be needed.



**for Model 9002A**





**for Model 9002A**

Item	SVI #	Ref. OEM #	Description
1*	call for details	09-0049A	Column - Idle Side
2*	call for details	09-0048A	Column - Control Side
3*	call for details	09-0043A	Extension - Idle Side
4*	call for details	09-0042A	Extension - Control Side
5*	call for details	09-2035A	Carriage - Idle Side
6*	call for details	09-2030A	Carriage - Control Side
7*	call for details	09-4232ARH	Long Arm - RH - Idle Side
8	BH-7153-77	X00032	1-1/2" Snap Ring
9*	call for details	09-4235A	Short Arm - Idle Side
10	BH-7154-07	94-209A	Spin Up Adapter
11	BH-7150-02	A94208	Rubber Arm Pad
12	BH-7154-03	92-120A	Arm Pin
13	call for details	09-4259A	Short Arm - Control Side
14	call for details	09-4260A	Long Arm - Control Side
15	BH-7153-90	X00025	Wire Tie 5-1/2"
16	<b>BH-7157-49</b>	<b>A073169</b>	<b>Slider Block</b>
17	F-LN-0750-10	A00007-12	3/4-10 Lock Nut
18	BH-7151-06	95-107A	Arm Lock Rod
19	F-HC-0375-10-3000	A00012-24	3/8-16 x 3" HHCS
20	BH-7157-54	09-4253A	Arm Restraint Rod
21	BH-7151-14	92-129	Housing
22	F-RP-250-1750	A00023-28	1/4" x 1-3/4" Roll Pin
23	BH-7151-13	92-130	Plunger
24	BH-7151-12	A92132	Spring
25	BH-7151-11	92-131	End Cap
26	BH-7152-19	09-4248A	Arm Restraint Rod
27	BH-7155-54	A00082-17	Branch Tee 5/32 Hose to 1/8 NPT
28	BH-7157-33	A073150	Air Cylinder Clevis
29	BH-7153-84	A00021-04	Cable Clamp 1/16"
30	BH-7157-32	A00017-05.7	Cable 1/16" x 5.7"
31	BH-7150-62	A073110	Hydraulic Cylinder
32	F-HN-0375-16	A00001-06	Hex Nut 3/8-16
33	F-SS-0375-16-1500	A00183-12	Dog Point Set Screw 3/8-16 x 1-1/2"
34	BH-7151-37	A93109-14	Pipe Nipple
35	BH-7153-37	A93108-05	Female Elbow 3/8" x 1/4"
36	F-CP-187-1750	A00030-14	Cotter Pin 3/16" x 1-3/4"
37	F-NL-0500-13	A00007-08	Nylock Lock Nut 1/2-13

Item	SVI #	Ref. OEM #	Description
38	BH-7150-20	A073120	4" Cable Pulley
39	BH-7157-15	07-3160	Sheave Guard
40	BH-7150-70	X00185	.75 E-Clip
41	BH-7157-30	07-3125A	Safety Dog Axle
42	BH-7152-34	A093033-01	Equalizer Cable
43*	call for details	09-1006A	Overhead Weldment
44	BH-7157-53	09-3035A-01	Hose
45	BH-7154-63	A00007-06	Security Locknut 3/8-16
46	F-FW-0375-SAE	A00003-06	Washer 3/8
47	F-HC-0375-16-1250	A00006-10	Hex Bolt 3/8-16 x 1-1/4"
48	BH-7153-84	A00021-04	Cable Clamp 1/16"
49	BH-7154-09	A00017-220	Wire Cable 1/16" x 220"
50	BH-7157-17	07-1112-02	Spacer Tube
51	BH-7157-38	07-3153	Hose Mounting Clip
52	BH-7157-19	07-1113	Sheave Pin
53	BH-7157-18	07-1112-01	Spacer Tube
54	F-CP-187-1750	A00030-14	Cotter Pin 3/16 x 1-3/4"
55	BH-7151-26	X00097-10	Lockwasher
56	F-LW-0250	A00002-04	Split Lockwasher 1/4"
57	BH-7157-55	A00081-07	Connector
58	BH-7153-94	A00082-13	Male Connector
59	BH-7157-35	A00094-04 / A00094	Air Line 50' Roll
60	BH-7157-29	07-3121A	Safety Dog
61	BH-7151-60	07-3151A	Lock Cover
62	BH-7153-96	A00082-10	Male Connector 1/4" to 1/8" NPT
63	<b>BH-7152-05</b>	<b>X00113</b>	<b>Air Release Valve</b>
64	BH-7006-01		Hyd. Power Unit 1PH
	BH-7006-03		Hyd. Power Unit 3PH
65	BH-7157-23	A93109-11	Nipple 3/8 NPT x 1-1/2"
66	<b>BH-7152-06</b>	<b>A00095</b>	<b>Air Cylinder</b>
67	BH-7152-26	A073132	Spring
68	F-HC-0312-18-0500	A00001-05	5/16-18 x 1/2" Hex Head Capscrew
69	F-LW-0312	A00002-05	Split Lockwasher 5/16"
70	F-FW-0312-SAE	A00003-05	Washer 5/16"
71	BH-7152-25	A00082-09	Male Elbow
72	BH-7157-24	A93109-07	Female Tee 3/8 NPT
73	BH-7153-99	A00082-14	Plug-In Elbow 5/32 to 5/32

\* Custom Order By Request. Sample may be needed.





**for Models 9003 and 9003A**

Item	SVI #	Ref. OEM #	Description
1*	call for details	09-0060A	Column - Control Side
2*	call for details	09-0059A	Column - Idle Side
3*	call for details	09-1131A	Overhead Weldment
4*	call for details	09-2301A	Carriages
5	call for details	A092306	Slider Block
6	call for details	A092307	Slider Block
7	call for details	09-1136-01	Pulley Pin
8	<b>BH-7151-22</b>	<b>A90124</b>	<b>Cable Sheave 5"</b>
9	call for details	09-1135	
10	F-CP-187-1750	A00030-14	Cotter Pin 3/16 x 1-3/4
11	BH-7153-90	X00025	Wire Tie 5-1/2
12	BH-7155-63	X00123	Hose Tie Mounting Clip
13	F-HC-0312-18-1000	A00005-08	Hex Bolt 5/16-18 x 1
14	F-LW-0312	A00002-05	Split Lockwasher 5/16
15	F-HN-0312-18	A00001-05	Hex Nut 5/16-18
16	BH-7157-38	07-3153	Hose Mounting Clip
17	BH-7151-60	07-3151A	Lock Cover
18	F-FW-0312-SAE	A00003-05	Washer 5/16
19	BH-7006-01		Hyd. Power Unit 1PH
	BH-7006-03		Hyd. Power Unit 3PH
20	BH-7075-03L	X00015	3/4 x 5-1/2" Wedge Anchor
21	call for details	A93033-16	Cable - Serial # & Date Code Needed
22	<b>BH-7151-22</b>	<b>A90124</b>	<b>Cable Sheave 5"</b>
23	call for details	90-130A-01	
24	F-HC-0250-20-0500	A00004-04	Hex Bolt 1/4-20 x 1/2
25	BH-7157-30	07-3125A	Safety Dog Axle
26	BH-7152-26	A073132	Spring
27	BH-7157-29	07-3121A	Safety Dog
28	BH-7153-81	A00007-12	Locknut 3/4-10
29	BH-7153-35	A93108-01	Male Elbow 3/8" x 3/8" NPT
30	BH-7157-33	A073150	Air Cylinder Clevis

Item	SVI #	Ref. OEM #	Description
31	F-SB-0312-1500	A00027	Shoulder Bolt 5/16 x 1-1/2"
32	BH-7151-26	X00097-10	Lockwasher
33	<b>BH-7152-06</b>	<b>A00095</b>	<b>Air Cylinder</b>
34	BH-7155-54	A00082-17	Branch Tee 5/32 Hose x 1/8 NPT
35	BH-7152-25	A00082-09	Male Elbow
36	BH-7153-52	A00194	Socket Head Capscrew 7/16-14 x 3
37	BH-7153-99	A00082-14	Plug-In Elbow 5/32 to 5/32
38	BH-7152-25	A00082-09	Male Elbow
39	BH-7153-96	A00082-10	Male Connector 1/4 to 1/8 NPT
40	<b>BH-7152-05</b>	<b>X00113</b>	<b>Air Release Valve</b>
41	BH-7153-72	A00007-07	Locknut 7/16-14
42	BH-7153-94	A00082-13	Male Connector 1/4 Hose to 1/4 NPT
43*	call for details	09-4300A	Arms 9003 <i>(for 9003A arms, see items 67-69)</i>
44	BH-7153-70	A00007-04	Security Locknut 1/4-20
45	call for details	07-4178A	See Height Extensions Catalog
46	BH-7157-14	07-4171A	3" Arm Pad Extension
47	BH-7150-21	07-4160A	Adapter Base Drop-In
48	BH-7150-02	A94208	Rubber Pad
49	BH-7157-31	A00030-12	Cotter Pin 3/16 x 1-1/2
50	BH-7153-38	93-111	Cylinder Shim
51	BH-7151-66	A093304	Hydraulic Cylinder with Roller
	BH-7150-62		Hydraulic Cylinder Inverted
	BH-7152-36	X00441	Seal Kit for 9003A Chain Over Cyl.
52	BH-7050-01		1/16" Safety Cable
53	See Chain Book	A92123	3/4 Pitch Leaf Chain 84 pitches
54	BH-7151-69	03-3157A-04	Overhead Hose
55	BH-7153-36	A93108-02	Tee Union 3/8 x 3/8 x 3/8
56*	BH-7156-95	09-4329A	Rear Arm without Pickup Pad 9003A
57*	call for details	09-4328A	Short Arm - Control Side 9003A
58*	call for details	09-4325A	Short Arm - Idle Side 9003A

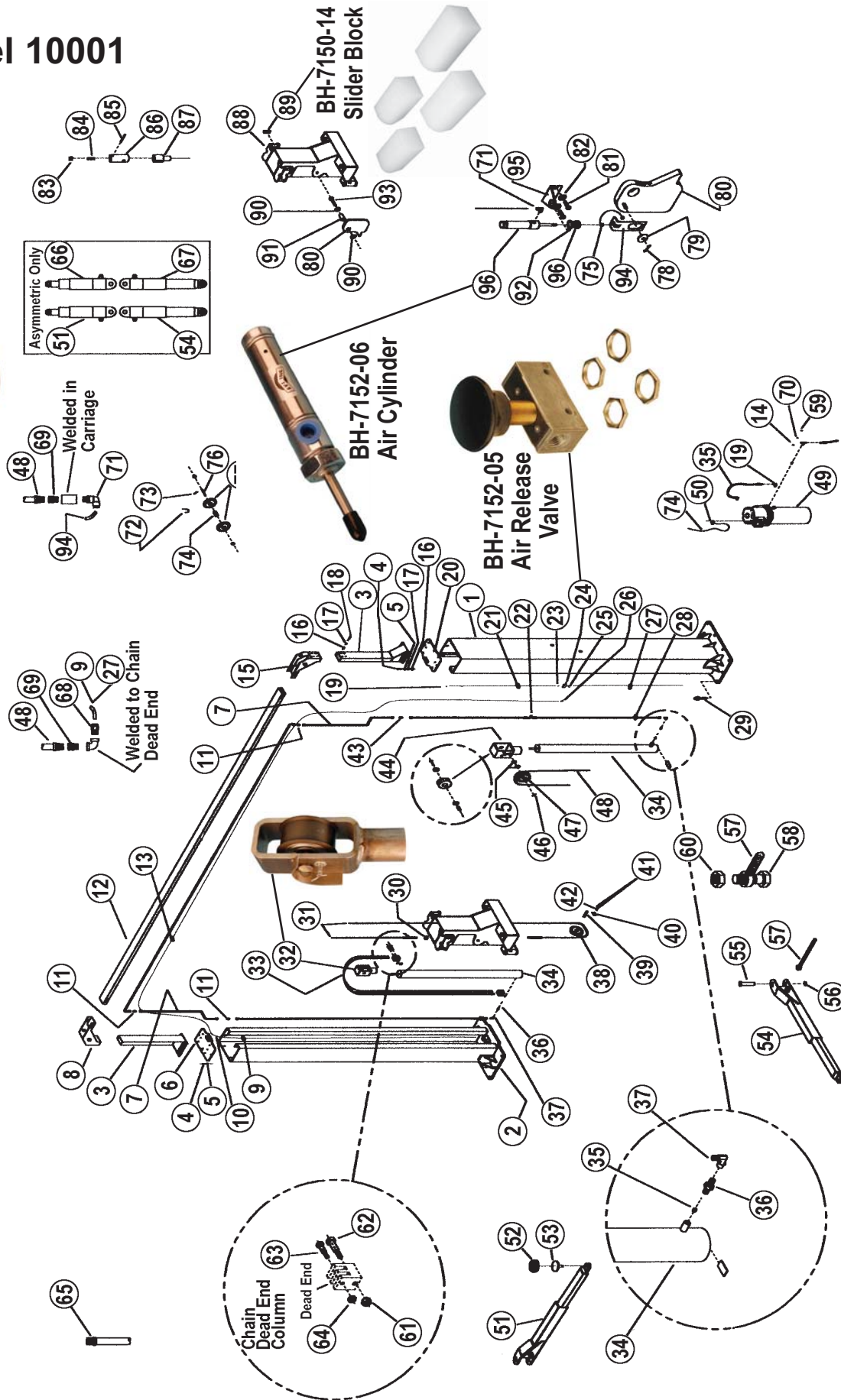
\* Custom Order By Request. Sample may be needed.



### for Model 10001



**BH-7151-22**  
Cable Sheave 5"





**for Model 10001**

Item	SVI #	Ref. OEM #	Description
1*	call for details	10-0016A	Column
2*	call for details	10-0012A	Column
3*	BH-7154-20	91-003A	Pedestal Weldment
4	F-HC-0375-16-1250	A00006-12	Hex Bolt 3/8-16 x 1-1/4"
5	F-FW-0375-SAE	A00003-06	Washer 3/8"
6	BH-7153-43	90-014A	Top Plate Assembly, Idle Column
7	BH-7154-15	93-106	Hydraulic Tubing 3/8 x 54
8*	call for details	15-1010A	Corner Assembly
9	See Air Line Book	A00084-11	Pneumatic Tubing 5/32 x 104
10	BH-7153-91	A00082-16	Air Hose Coupling 5/32 to 5/32
11	BH-7151-40	A93108-03	Union
12	BH-7154-08	91-113	Overhead Tube
13	BH-7153-93	A00084-21	Tubing 5/31 x 287"
14	F-FW-0312-SAE	A00003-05	Washer 5/16"
15*	call for details	15-1010A	Corner Assembly
16	F-HN-0375-16	A00001-06	Hex Nut 3/8-16
17	F-LW-0375	A00002-06	3/8" Split Washer
18	F-HC-0375-16-1000	A00006-08	Hex Bolt 3/8-16 x 1"
19	BH-7153-35	A93108-01	Male Elbow 3/8" x 3/8" NPT
20	BH-7153-41	90-012A	Column Top Plate Assembly
21	See Air Line Book	A00094-03	Pneumatic Tubing 1/4 x 51"
22	BH-7153-36	A93108-02	Tee Union 3/8 x 3/8 x 3/8
23	BH-7153-96	A00082-10	Male Connector 1/4 to 1/8 NPT
24	<b>BH-7152-05</b>	<b>X00113</b>	<b>Air Release Valve</b>
25	BH-7153-97	A00082-15	Male Running Tee 5/32 x 5/32 x 1/8
26	BH-7153-99	A00082-14	Plug-In Elbow 5/32 to 5/32
27	BH-7154-00	A00084-14	Tubing 5/32 x 55-14"
28	BH-7153-31	93-105-02	Hydraulic Tube 64-3/8"
29	BH-7075-03	X00015	3/4 x 5-1/2" Wedge Anchor
30	F-LN-0750-10	A00007-12	Locknut 3/4-10
31	BH-7150-13	A93133-01	Equalizer Cable
32	<b>BH-7150-61</b>	<b>93-222A</b>	<b>Yoke Bracket</b>
33	See Chain Book	A92123	3/4" Pitch Leaf Chain
34	BH-7150-19	A93102	Cylinder
35	BH-7150-91	93-014A	Hose
36	BH-7151-34	A93109-02	Adapter
37	BH-7153-37	A93108-05	Female Elbow 3/8 x 1/4
38	<b>BH-7151-22</b>	<b>A90124</b>	<b>Cable Sheave 5"</b>
39	BH-7151-23	90-130	Sheave Axle
40	BH-7153-51	90-118	Keeper Plate
41	BH-7153-85	A00004-04	Hex Bolt 1/4-20 x 1/2"
42	F-LW-0250	A00002-04	Split Lockwasher 1/4"
43	BH-7151-40	A93108-03	Union
44	BH-7150-98	93-221A	Chain Sheave Bracket Enclosed Style
45	BH-7153-49	A00003-06	Washer 3/8"
46	BH-7151-17	A00056-08	Cotter Key
47	BH-7151-65	93-117	Pulley
48	<b>BH-7150-71</b>	<b>93-120A</b>	<b>Carriage Air Line with Fitting</b>
49	BH-7006-01		Hyd. Power Unit 1PH
	BH-7006-03		Hyd. Power Unit 3PH

Item	SVI #	Ref. OEM #	Description
50	BH-7153-84	A00021-04	Cable Clamp 1/16"
51*	BH-7154-06	94-001ALH	LH Arm Assembly
52	BH-7150-02	A94208	Rubber Pad
53	BH-7154-07	94-209A	Lift Pad Assy (does not include pad)
54*	BH-7151-63	94-001ARH	Left Front Arm Assembly
55	BH-7154-03	92-120A	Arm Pin
56	BH-7153-77	X00032	1-1/2" Snap Ring
57	BH-7151-06	95-107A	Arm Lock Rod
58	F-HC-0375-10-3000	A00012-24	Hex Bolt 3/4-10 x 3"
59	F-HN-0312-18	A00001-05	Hex Nut 5/16-18
60	F-LN-0750-10	A00007-12	Locknut 3/4-10
61	BH-7153-72	A00007-07	Locknut
62	call for details		Shoulder Bolt
63	F-SB-0312-1500	A00027	Shoulder Bolt
64	BH-7153-70	A00007-04	Security Locknut
65	BH-7153-40	A93108-08	Ferrulok Ferrule 3/8"
66*	call for details		RH Short Arm Assembly
67*	call for details		RH Long Arm Assembly
68	BH-7154-01	A00082-03	Male Air Hose Fitting 5/32 x 1/8 MNPT
69	BH-7153-86	A00081-08	Pipe Swivel Adapter 1/8 NPT/JIC
70	F-LW-0312	A00002-05	Split Lockwasher 5/16"
71	BH-7152-25	A00082-09	Male Elbow
72	BH-7153-90	X00025	Wire Tie 5-1/2"
73	F-CP-187-1750	X00030-14	Cotter Pin 3/16 x 1-3/4"
74	BH-7154-09	A00017-220	Wire Cable 1/16 x 220"
75	BH-7151-15	A00098-04	Nut
76	<b>BH-7151-21</b>	<b>91-117</b>	<b>Sheave Axle</b>
77	<b>BH-7151-22</b>	<b>A90124</b>	<b>Cable Sheave 5"</b>
78	BH-7151-17	A00056-08	Cotter Key
79	BH-7151-18	A00126-18	Washer
80	BH-7151-27	92-136A	Safety Weldment
81	F-HC-0250-20-1500	A00004-12	Hex Bolt 1/4-20 x 1-1/2"
82	F-FW-0250-SAE	A00003-04	Washer 1/4"
83	BH-7151-11	92-131	End Cap
84	BH-7151-12	A92132	Spring
85	F-RP-0250-1750	A00023-28	Roll Pin 1/4" x 1-3/4"
86	BH-7151-14	92-129	Housing
87	BH-7151-13	92-130	Arm Restraint Plunger
88*	BH-7154-21	92-004A	Carriage Weldment
89	<b>BH-7150-14</b>	<b>92-115</b>	<b>Slider Block</b>
90	BH-7153-65	A00003-12	3/4" Washer
91	BH-7153-64	92-303	Safety Block Spacer
92	BH-7151-26	X00097-10	Lockwasher
93	F-HC-0375-10-3000	A00013-24	Hex Bolt 3/4-10 x 3"
94	BH-7151-16	92-137	Bracket
95	BH-7152-07	A00100	Bracket
96	<b>BH-7152-06</b>	<b>A00095</b>	<b>Air Cylinder</b>

\* Custom Order By Request. Sample may be needed.



### for Model 12001

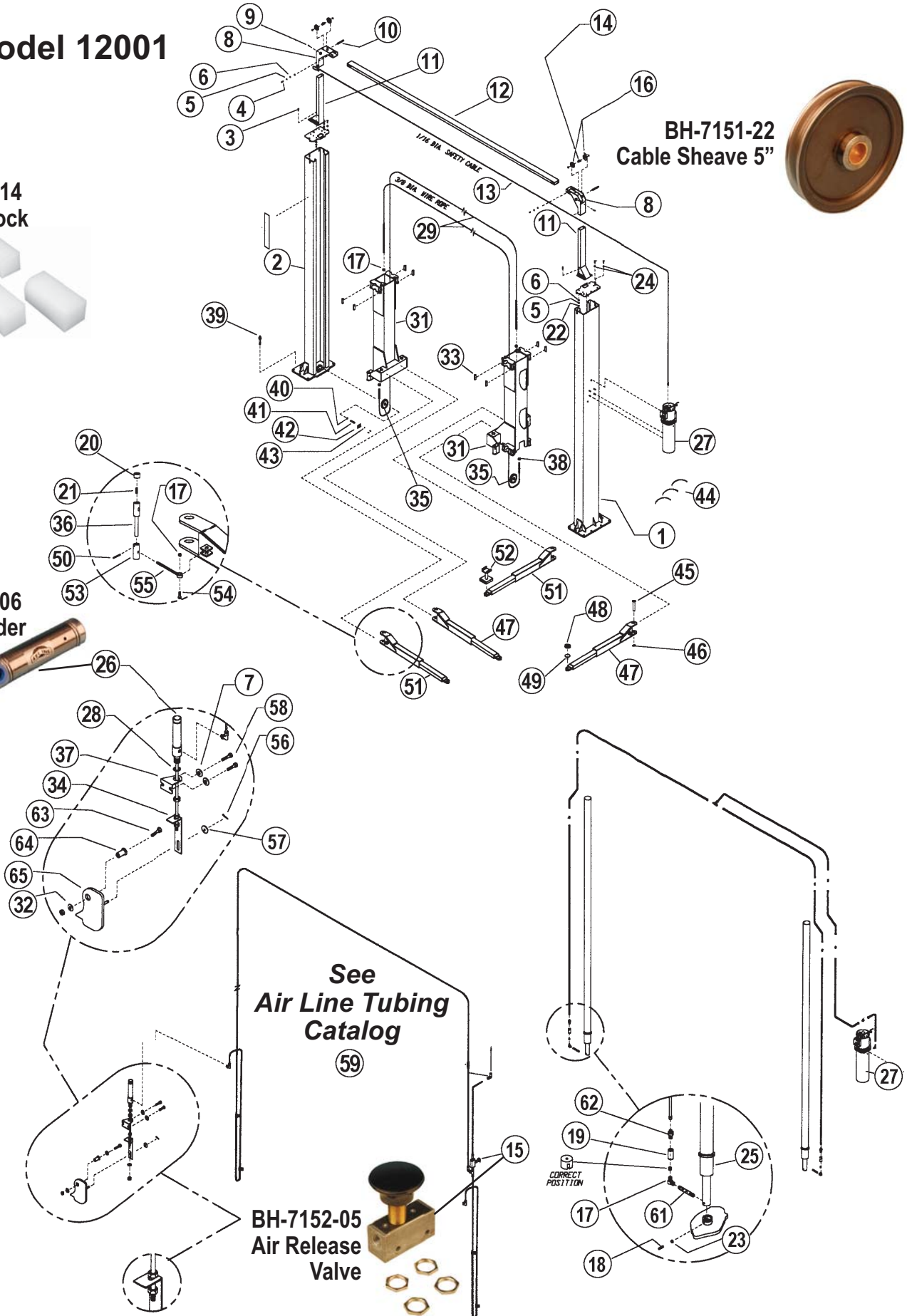
**BH-7150-14**  
Slider Block



**BH-7152-06**  
Air Cylinder



**BH-7151-22**  
Cable Sheave 5"



See  
**Air Line Tubing  
Catalog**

59

**BH-7152-05**  
Air Release Valve





## for Model 12001

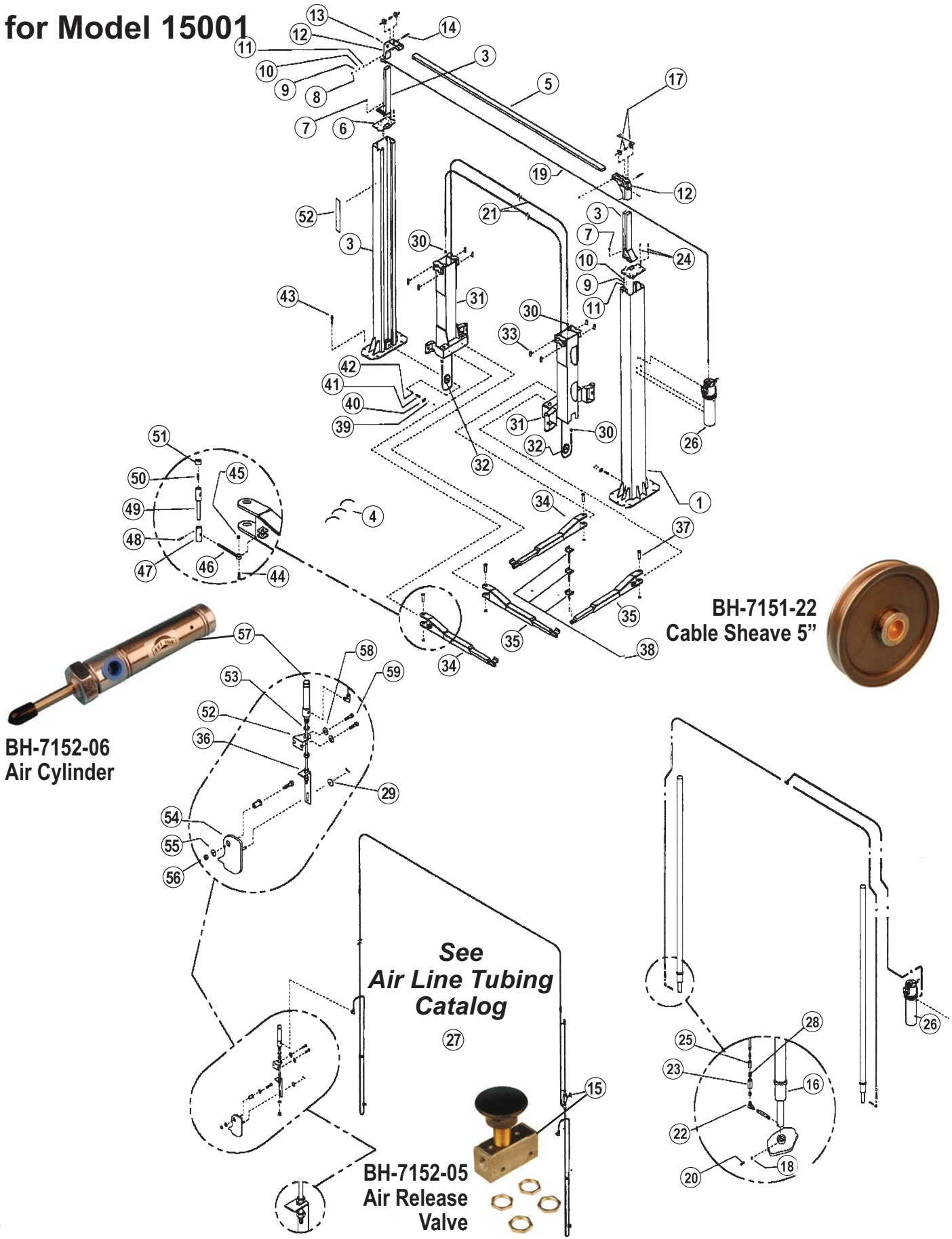
Item	SVI #	Ref. OEM #	Description
1*	call for details	15-0028A	Column
2*	call for details	15-0029A	Column
3	F-HC-0375-16-1250	A00006-12	Hex Bolt 3/8-16 x 1-1/4"
4	F-HC-0375-16-1000	A00006-08	Hex Bolt 3/8-16 x 1"
5	F-FW-0375-SAE	A00003-06	Washer 3/8"
6	F-LW-0375	A00002-06	Split Lockwasher 3/8"
7	F-FW-0250-SAE	A00003-04	Washer 1/4"
8*	call for details	91-002A	Corner Assembly
9	F-CP-187-1750	A00030-14	Cotter Pin 3/16" x 1-3/4"
10	<b>BH-7151-21</b>	<b>91-117</b>	<b>Sheave Axle</b>
11*	BH-7157-51	15-1003A	Column Extension
12*	call for details	15-1006	Overhead Weldment
13	<b>BH-7050-01</b>	<b>A00017-250</b>	<b>Safety Cable</b>
14	call for details	15-1014A	Spacer
15	<b>BH-7152-05</b>	<b>X00113</b>	<b>Air Release Valve</b>
16	<b>BH-7151-22</b>	<b>A90124</b>	<b>Cable Sheave 5"</b>
17	BH-7151-36	A93109-12	90° Fitting
18	F-SS-0375-16-1500	A00183-12	Dog Point Set Screw 3/8-16 x 1-1/2"
19	BH-7151-33	A93109-18	Coupling
20	BH-7151-11	92-131	End Cap
21	BH-7151-12	A92132	Spring
22	F-HN-0375-16	A00001-06	Hex Nut 3/8-16
23	F-HN-0375-16	A00001-06	Hex Nut 3/8-16
24	BH-7150-80	A00003-08	Washer
25	BH-7157-28	07-3110	Hydraulic Cylinder
	BH-7151-52	X00342	Seal Kit for some 12000-2 Post
26	<b>BH-7152-06</b>	<b>A00095</b>	<b>Air Cylinder</b>
27	<b>BH-7006-01</b>		<b>Hyd. Power Unit 1PH</b>
	<b>BH-7006-03</b>		<b>Hyd. Power Unit 3PH</b>
28	BH-7151-26	X00097-10	Lockwasher

Item	SVI #	Ref. OEM #	Description
29	BH-7150-17	93133-03	Equalizer Cable
30	BH-7152-25	A00082-09	Male Elbow
31*	call for details	15-2028A	Carriage
32	F-FW-0875-USS	A00003-14	Plain Washer 7/8"
33	<b>BH-7150-14</b>	<b>92-115</b>	<b>Slider Block</b>
34	BH-7151-16	92-137	Bracket
35	<b>BH-7151-22</b>	<b>A90124</b>	<b>Cable Pulley 5"</b>
36	BH-7151-13	92-130	Arm Restraint Plunger
37	BH-7152-07	A00100	Bracket
38	F-NL-0500-13	A00007-08	Nylock Locknut 1/2-13
39	BH-7075-03	X00015	3/4" x 5-1/2" Wedge Anchor
40	BH-7157-16	X00185-.75	3/4" Retaining Ring
41	BH-7150-20A	90-130	Sheave Axle
42	BH-7153-51	90-118	Keeper Plate
43	F-LW-0250	A00002-04	Split Lockwasher 1/4"
44	BH-7153-90	X000025	Wire Tie
45	BH-7154-03	92-120A	Arm Pin
46	BH-7153-77	X00032	1-1/2" Snap Ring
47*	BH-7154-06	94-001ALH	LH Arm Assembly
48	BH-7150-02	94-208	Rubber Pad
49*	BH-7154-07	94-209A	Lift Pad Assembly
50	F-RP-250-1750	A00023-28	Roll Pin 1/4" x 1-3/4"
51*	BH-7151-63	94-001ARH	Left Front Arm
52	call for details	94-005A	Adapter
53	BH-7151-14	92-129	Housing
54	F-HC-0375-10-3000	A00012-24	Hex Bolt 3/4-10 x 3"
55	BH-7151-06	95-107A	Arm Lock Rod
56	BH-7151-17	A00056-08	Cotter Key
57	BH-7151-18	A00126-18	Washer
58	F-HC-0250-20-1500	A00004-12	Hex Bolt 1/4-20 x 1-1/2"
59	<b>See Air Line Tubing Catalog</b>		

\* Custom Order By Request. Sample may be needed.



**for Model 15001**



**BH-7152-06  
Air Cylinder**

**BH-7151-22  
Cable Sheave 5"**

**See  
Air Line Tubing  
Catalog**

**BH-7152-05  
Air Release  
Valve**

All names, numbers, symbols and descriptions are used for reference purposes only. It is not implied that any part listed is the product of these manufacturers; however, some parts may be the actual product of these manufacturers.



**for Model 15001**

Item	SVI #	Ref. OEM #	Description
1*	call for details	15-0003A	Column - Drive Side
2*	call for details	15-0004A	Column - Idle Side
3*	BH-7157-51	15-1003A	Column Extension
4	BH-7153-90	X000025	Wire Tie
5*	call for details	15-1006	Overhead Weldment
6*	call for details	15-0022	Top Plate
7	F-HC-0375-16-1250	A00006-12	Hex Bolt 3/8-16 x 1-1/4"
8	F-HC-0375-16-1250	A00006-10	Hex Bolt 3/8-16 x 1-1/4"
9	F-FW-0375-SAE	A00003-06	Washer 3/8"
10	F-LW-0375	A00002-06	Split Lockwasher 3/8
11	F-HN-0375-16	A00001-06	Hex Nut 3/8-16
12*	call for details	91-002A	Top Corner
13	F-CP-187-1750	A00030-14	Cotter Pin 3/16 x 1-3/4"
14	<b>BH-7151-21</b>	<b>15-1014A</b>	<b>Sheave Axle</b>
15	<b>BH-7152-05</b>	<b>X00113</b>	<b>Air Release Valve</b>
16	BH-7151-70	A150002	Hydraulic Cylinder
	BH-7151-74	X00623	Seal Kit
	BH-7152-39		Seal Kit Serial #812-01075
17	<b>BH-7151-22</b>	<b>A90124</b>	<b>Cable Sheave 5"</b>
18	F-JN-0375-16	A00060-06	Hex Jam Nut 3/8-16
19	BH-7050-01	A00017-256	Wire Cable
20	F-SS-0375-16-1500	A00183-12	Dog Point Set Screw 3/8-16 x 1-1/2
21	call for details	AB93133-09	Cable
22	BH-7151-36	A93109-12	90° Fitting
23	BH-7151-33	A93109-18	Coupling
24	BH-7150-80	A00003-08	Washer
25	BH-7151-32	A93109-17	Coupling
26	Call with Make & Model		Power Unit
27	<b>See Air Line Tubing Catalog</b>		
28	BH-7151-34	A93109-02	Hex Pipe Nipple 1/4 - 3/8
29	BH-7151-18	A00126-18	Washer
30	F-NL-0500-13	A00007-08	Nylock Locknut 1/2-13
31*	call for details	15-2001A	Carriage
32	<b>BH-7151-22</b>	<b>A90124</b>	<b>Cable Sheave 5"</b>

Item	SVI #	Ref. OEM #	Description
33	<b>BH-7157-49</b>	<b>A073169</b>	<b>Slider Block</b>
34*	call for details	15-4002A	Arm
35*	BH-7152-38	15-4001A	Rear Arm Passenger
36	call for details	15-2003	Bracket
37	call for details	15-4012A	Arm Pin
38	BH-7150-97	15-4031A	Arm Pad Assembly - Standard
	call for details	15-4030A	Arm Pad Extension Assembly 5"
	BH-7150-93	15-4029A	Arm Pad Extension Assembly 10"
39	F-LW-0250	A00002-04	Split Lockwasher 1/4"
40	BH-7153-51	90-118	Keeper Plate
41	BH-7150-20A	90-130	Sheave Axle
42	BH-7157-16	X00185-.75	3/4" Retaining Ring
43	BH-7075-03	X00015	3/4 x 5-1/2" Wedge Anchor
44	F-HC-0375-10-3000	A00012-24	Hex Bolt 3/4-10 x 3"
45	F-LN-0750-10	A00007-12	Locknut 3/4-10
46	BH-7152-15	15-4019A	Arm Restraint Rod
47	BH-7151-14	92-129	Housing
48	F-RP-250-1750	A00023-28	Roll Pin 1/4" x 1-3/4"
49	BH-7152-14	15-4021A	Arm Restraint Rod
50	BH-7151-12	A92132	Spring
51	BH-7151-11	92-131	End Cap
52	BH-7152-0	A00100	Bracket
53	BH-7151-26	X00097-10	Lockwasher
54	call for details	15-2025A	Lock Latch
55	F-FW-0875-USS	A00003-14	Plain Washer 7/8"
56	F-SLN-0875-09	A00007-14	Security Locknut 7/8-9
57	call for details	A00098	Air Cylinder
58	F-FW-0250-SAE	A00003-04	Washer 1/4"
59	F-HC-0250-20-1500	A00004-12	Hex Bolt 1/4-20 x 1-1/2"

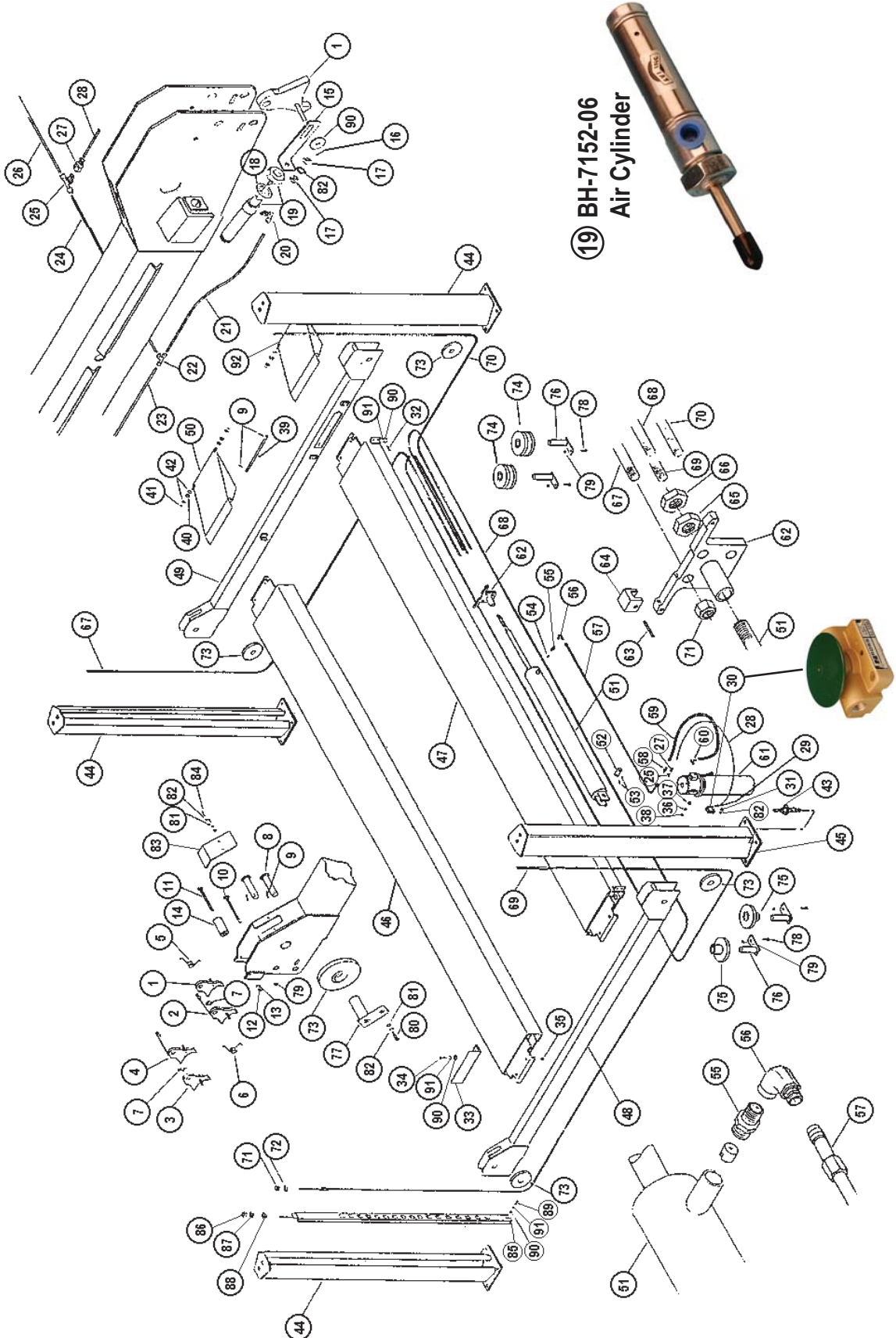
**Not Pictured (for use with 4HP, 1PH Power Unit)**

	BH-7156-96	X00310	Switch
	BH-7004-36	X00403	Small Microswitch (new style)

\* Custom Order By Request. Sample may be needed.



### for Models 12000, 12000S, 12000WT, 12000WTS



P  
a  
r  
t  
s  
20



**for Models 12000, 12000S, 12000WT, 12000WTS**

Item	SVI #	Ref. OEM #	Description
1	BH-7151-59	12-4123A	Safety Dog Assy
2	BH-7152-20	12-4122A	Safety Dog Assy w/Sensor
3	BH-7154-56	12-4124A	Safety Dog Assy
4	BH-7152-21	12-4121A	Safety Dog Assy w/Sensor
5	BH-7154-57	B121119-02	LH Torsion Spring
6	BH-7154-58	B121119-01	RH Torsion Spring
7	F-FW-0750-SAE	A00003-12	Plain Washer 3/4"
8	BH-7154-59	12-4110A	Safety Dog Mounting Pin Assy
9	BH-7154-60	A00030-14	Cotter Pin 3/16 x 1-3/4
10	F-HC-0250-20-4000	A00004-32	Hex Bolt 1/4-20 x 4
11	F-HC-0375-16-4500	A00006-36	Hex Capscrew 3/8-16x4-1/2
12	BH-7154-63	A00007-06	Security Locknut 3/8-16
13	F-LW-0375	A00002-06	Split Washer 3/8
14	BH-7154-64	12-4129	Guide Roller
15	BH-7154-65	12-1196	Safety Release Bracket
16	BH-7154-66	X00089	Hair Pin Cotter 1/2"
17	BH-7151-15	A00098-04	Hex Jam Nut 1/4-28
18	BH-7151-26	X00097-10	Internal Tooth Lockwasher 5/8
19	<b>BH-7152-06</b>	<b>A00095</b>	<b>Air Cylinder</b>
20	BH-7152-25	A00082-09	Elbow 5/32 to 1/8 NPT
21	See Air Line Book	A00084-04	Pneumatic Tubing 5/32 x 13-3/8
22	BH-7151-55	A00082-08	Tee 5/32 x 5/32 x 5/32
23	See Air Line Book	A00084-05	Pneumatic Tubing 5/32 x 94-3/4
24	See Air Line Book	A00084-02	Pneumatic Tubing 5/32 x 10
25	BH-7154-70	A00082-07	Branch Tee 5/32 x 5/32 x 1/4
26	See Air Line Book	A00084-06	Pneumatic Tubing 5/32 x 190-1/2 12000, 12000S & 12000WT
26	See Air Line Book	A00084-03	Pneumatic Tubing 5/32 x 166-1/2 12000WTS
27	BH-7154-72	A00082-06	Bulkhead Fitting 1/4 x 1/4
28	See Air Line Book	A00094-01	Pneumatic Tubing 1/4 x 74-1/2
29	BH-7153-94	A00082-13	Male Connector 1/4 x 1/4
30	<b>BH-7151-28</b>	<b>X00096</b>	<b>Air Valve</b>
31	F-HN-0250-20	A00001-04	Hex Nut 1/4-20
32	F-HC-0500-13-1500	A00008-12	Hex Bolt 1/2-13 x 1-1/2
33	BH-7154-76	12-1110	Wheel Stop
34	BH-7154-77	A00008-14	Hex Bolt 1/2-13 x 1-3/4
35	F-HN-0500-13	A00001-08	Hex Nut 1/2-13
36	F-HN-0312-18	A00001-05	Hex Nut 5/16-18
37	F-LW-0312	A00002-05	Split Lockwasher 5/16
38	F-FW-0312-SAE	A00003-05	Plain Washer 5/16
39	BH-7154-79	12-1109	Ramp Pin
40	BH-7150-66	12-1121	Ramp Roller
41	F-CP-093-1000	X00056-08	Cotter Pin 3/32 x 1
42	F-FW-0375-SAE	A00003-06	Plain Washer 3/8"
43	BH-7154-81	X00133	Anchor 5/8 x 4-3/4
44*	BH-7154-22	12-2003A	Column Weldment - Idle
45*	BH-7154-23	12-2004A	Column Weldment - Drive
46*	BH-7154-24	12-3002A	Track Weldment Idle 12000
46*	BH-7154-82	12-3004A	Track Weldment Idle 12000S
46*	BH-7154-87	12-3030A	Track Weldment Idle 12000WT
46*	BH-7154-90	12-3033A	Track Weldment Idle 12000WTS
47*	BH-7154-25	12-3001A	Track Weldment Drive 12000
47*	BH-7154-83	12-3005A	Track Weldment Drive 12000S
47*	BH-7154-88	12-3029A	Track Weldment Drive 12000WT
47*	BH-7154-91	12-3032A	Track Weldment Drive 12000WTS
48*	BH-7154-26	12-4011A	Crosstube Weldment - Drive
49*	BH-7154-27	12-4012A	Crosstube Weldment - Idle

Item	SVI #	Ref. OEM #	Description
50*	BH-7150-65	12-1106A	Runway Ramp 12000 & 12000S
50*	BH-7152-29	12-1133A	RH Ramp Assy 12000WT & WTS
51	BH-7154-28	B123117	Hydraulic Cylinder
52	BH-7154-29	12-3113	Cylinder Mounting Pin
53	F-CP-187-2000	A00030-16	Cotter Pin 3/16 x 2
55	BH-7151-34	A93109-02	Hex Pipe Nipple 1/4 -1/4 NPT
56	BH-7153-37	A93108-05	Female Elbow 3/8 x 1/4
57	BH-7154-32	12-3126	Hydraulic Tube 3/8 x 104-1/2 12000 & 12000WT
57	BH-7154-84	12-3131	Hydraulic Tube 3/8 x 80-1/2 12000S & 12000WTS
58	BH-7154-33	A93108-11	Bulkhead Fitting 3/8
59	BH-7154-34	12-1118A	Hydraulic Hose Assy 3/8
60	BH-7154-35	A93108-01	Male Elbow 3/8 x 3/8
61	BH-7154-36	B121115	Hydraulic Power Unit
62	BH-7154-37	12-3109A	End Plate Assy
63	F-RP-250-1750	A00023-28	Roll Pin 1/4 x 1-3/4
64	BH-7154-38	12-3141	Cylinder Rd End Guide
65	F-HN-1125-07	A00001-18	Hex Nut 1-1/8-7
66	F-JN-1125-07	A00060-18	Hex Jam Nut 1-1/8-7
67-70	Verification of Cable Ends is Necessary		Cable
71	BH-7154-45	A00007-14	Security Locknut 7/8-9
72	F-FW-0875-USS	A00003-14	Plain Washer 7/8
73	<b>BH-7151-31</b>	<b>12-1104A</b>	<b>Crosstube Sheave Assy</b>
74	BH-7150-63	12-1212A	Double Sheave Assy
75	BH-7150-67	12-1213A	Single Sheave Assy
76	BH-7150-64	12-3122A	Sheave Axle Assy
77	BH-7154-47	12-1111A	Sheave Axle Assy - Crosstube
78	BH-7154-48	X00061-08	Socket Capscrew 1/4-20 x 1
79	BH-7153-70	A00007-04	Security Locknut 1/4-20
80	F-HC-0250-20-1000	A00004-08	Hex Bolt 1/4-20 x 1
81	F-FW-0250-SAE	A00003-04	Plain Washer 1/4
82	F-LW-0250	A00002-04	Split Lockwasher 1/4
83	BH-7154-49	12-1128	Sheave Cover
84	F-HC-0250-20-0500	A00004-04	Hex Bolt 1/4-20 x 1/2
85	BH-7154-50	12-2116A	Safety Channel Assy
86	F-HN-1000-08	A00001-16	Hex Nut 1-8
87	F-FW-1000-USS	A00003-16	Plain Washer 1"
88	F-JN-1000-08	A00060-16	Hex Jam Nut 1-8
89	F-HC-0500-13-1250	A00008-10	Hex Bolt 1/2-13 x 1-1/4
90	BH-7150-80	A00003-08	Plain Washer 1/2
91	F-LW-0500	A00002-08	Split Lockwasher 1/2
92	BH-7154-89	12-1132A	LH Ramp Assy 12000WT & WTS

**Not Pictured:**

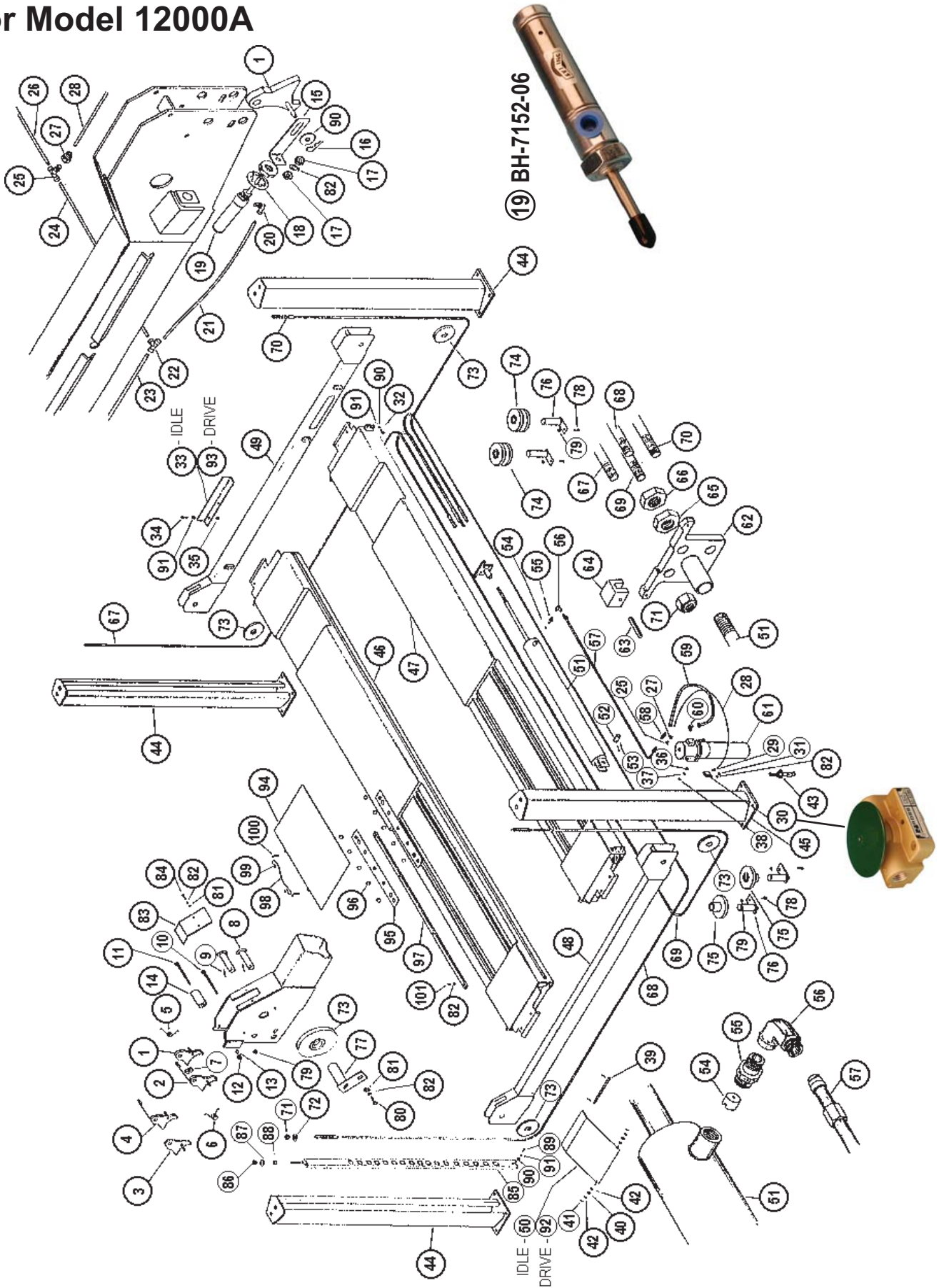
BH-7152-09	12-1215K1	<b>Cable &amp; Sheave KIT for 12000, 12000WT and 12000QLC</b>
BH-7152-11	12-1215K2	<b>Cable &amp; Sheave KIT for 12000S</b>

**Note: Verification of Cable Ends is Necessary**

\* Custom Order By Request. Sample may be needed.



### for Model 12000A



0 0 0 0 0 22



**for Model 12000A**

Item	SVI #	Ref. OEM #	Description
1	BH-7151-59	12-4123A	Safety Dog Assy
2	BH-7152-20	12-4122A	Safety Dog Assy w/Sensor
3	BH-7154-56	12-4124A	Safety Dog Assy
4	BH-7152-21	12-4121A	Safety Dog Assy w/Sensor
5	BH-7154-57	B121119-02	LH Torsion Spring
6	BH-7154-58	B121119-01	RH Torsion Spring
7	F-FW-0750-SAE	A00003-12	Plain Washer 3/4"
8	BH-7154-59	12-4110A	Safety Dog Mounting Pin Assy
9	BH-7154-60	A00030-14	Cotter Pin 3/16 x 1-3/4
10	F-HC-0250-20-4000	A00004-32	Hex Bolt 1/4-20 x 4
11	BH-7154-62	A00006-36	Hex Capscrew 3/8-16x4-1/2
12	BH-7154-63	A00007-06	Security Locknut 3/8-16
13	F-LW-0375	A00002-06	Split Washer 3/8
14	BH-7154-64	12-4129	Guide Roller
15	BH-7154-65	12-1196	Safety Release Bracket
16	BH-7154-66	X00089	Hair Pin Cotter 1/2"
17	BH-7151-15	A00098-04	Hex Jam Nut 1/4-28
18	BH-7151-26	X00097-10	Internal Tooth Lockwasher 5/8
19	<b>BH-7152-06</b>	<b>A00095</b>	<b>Air Cylinder</b>
20	BH-7152-25	A00082-09	Elbow 5/32 to 1/8 NPT
21	See Air Line Book	A00084-04	Pneumatic Tubing 5/32 x 13-3/8
22	BH-7151-55	A00082-08	Tee 5/32 x 5/32 x 5/32
23	See Air Line Book	A00084-05	Pneumatic Tubing 5/32 x 94-3/4
24	See Air Line Book	A00084-02	Pneumatic Tubing 5/32 x 10
25	BH-7154-70	A00082-07	Branch Tee 5/32 x 5/32 x 1/4
26	See Air Line Book	A00084-06	Pneumatic Tubing 5/32 x 190-1/2
27	BH-7154-72	A00082-06	Bulkhead Fitting 1/4 x 1/4
28	See Air Line Book	A00094-01	Pneumatic Tubing 1/4 x 74-1/2
29	BH-7153-94	A00082-13	Male Connector 1/4 x 1/4
30	<b>BH-7151-28</b>	<b>X00096</b>	<b>Air Valve</b>
31	F-HN-0250-20	A00001-04	Hex Nut 1/4-20
32	F-HC-0500-13-1500	A00008-12	Hex Bolt 1/2-13 x 1-1/2
33	BH-7152-22	12-1139	Wheel Stop
34	F-HC-0500-13-1750	A00008-14	Hex Bolt 1/2-13 x 1-3/4
35	F-HN-0500-13	A00001-08	Hex Nut 1/2-13
36	F-HN-0312-18	A00001-05	Hex Nut 5/16-18
37	F-LW-0312	A00002-05	Split Lockwasher 5/16
38	F-FW-0312-SAE	A00003-05	Plain Washer 5/16
39	BH-7154-79	12-1109	Ramp Pin
40	BH-7150-66	12-1121	Ramp Roller
41	F-CP-093-1000	X00056-08	Cotter Pin 3/32 x 1
42	F-FW-0375-SAE	A00003-06	Plain Washer 3/8"
43	BH-7154-81	X00133	Anchor 5/8 x 4-3/4
44*	BH-7154-22	12-2003A	Column Weldment - Idle
45*	BH-7154-23	12-2004A	Column Weldment - Drive
46*	BH-7154-93	12-3026A	Track Weldment Idle
47*	BH-7154-94	12-3025A	Track Weldment Drive
48*	BH-7154-95	12-4015A	Crosstube Weldment - Drive
49*	BH-7154-96	12-4016A	Crosstube Weldment
50*	BH-7154-89	12-1132A	LH Ramp Assy
51	BH-7154-28	B123117	Hydraulic Cylinder

Item	SVI #	Ref. OEM #	Description
52	BH-7154-29	12-3113	Cylinder Mounting Pin
53	F-CP-187-2000	A00030-16	Cotter Pin 3/16 x 2
55	BH-7151-34	A93109-02	Hex Pipe Nipple 1/4 -1/4 NPT
56	BH-7153-37	A93108-05	Female Elbow 3/8 x 1/4
57	BH-7154-97	12-3171	Hydraulic Tube 3/8 x 82
58	BH-7154-33	A93108-11	Bulkhead Fitting 3/8
59	BH-7154-34	12-1118A	Hydraulic Hose Assy 3/8
60	BH-7154-35	A93108-01	Male Elbow 3/8 x 3/8
61	BH-7154-36	B121115	Hydraulic Power Unit
62	BH-7154-37	12-3109A	End Plate Assy
63	F-RP-250-1750	A00023-28	Roll Pin 1/4 x 1-3/4
64	BH-7154-38	12-3141	Cylinder Rd End Guide
65	F-HN-1125-07	A00001-18	Hex Nut 1-1/8-7
66	F-JN-1125-07	A00060-18	Hex Jam Nut 1-1/8-7
67	BH-7154-98	B121101-13	Cable 7/16 x 212-3/8"
68	BH-7154-99	B121101-14	Cable 7/16 x 420-5/8"
69	BH-7155-00	B121101-15	Cable 7/16 x 357-1/4"
70	BH-7155-01	B121101-16	Cable 7/16 x 149"
71	BH-7154-45	A00007-14	Security Locknut 7/8-9
72	F-FW-0875-USS	A00003-14	Plain Washer 7/8
73	<b>BH-7151-31</b>	<b>12-1104A</b>	<b>Crosstube Sheave Assy</b>
74	BH-7150-63	12-1212A	Double Sheave Assy
75	BH-7150-67	12-1213A	Single Sheave Assy
76	BH-7150-64	12-3122A	Sheave Axle Assy
77	BH-7154-47	12-1111A	Sheave Axle Assy - Crosstube
78	BH-7154-48	X00061-08	Socket Capscrew 1/4-20 x 1
79	BH-7153-70	A00007-04	Security Locknut 1/4-20
80	F-HC-0250-20-1000	A00004-08	Hex Bolt 1/4-20 x 1
81	F-FW-0250-SAE	A00003-04	Plain Washer 1/4
82	F-LW-0250	A00002-04	Split Lockwasher 1/4
83	BH-7154-49	12-1128	Sheave Cover
84	F-HC-0250-20-0500	A00004-04	Hex Bolt 1/4-20 x 1/2
85	BH-7154-50	12-2116A	Safety Channel Assy
86	F-HN-1000-08	A00001-16	Hex Nut 1-8
87	F-FW-1000-USS	A00003-16	Plain Washer 1"
88	F-JN-1000-08	A00060-16	Hex Jam Nut 1-8
89	F-HC-0500-13-1250	A00008-10	Hex Bolt 1/2-13 x 1-1/4
90	BH-7150-80	A00003-08	Plain Washer 1/2
91	F-LW-0500	A00002-08	Split Lockwasher 1/2
92	BH-7152-29	12-1133A	RH Ramp Assy
93	BH-7152-23	12-1140	Wheel Stop
94	BH-7155-02	12-1172A	Slip Plate Assy
95	BH-7155-03	12-1177	Bearing Spacer
96	BH-7155-04	B121178	1" Steel Ball
97	BH-7155-05	12-1176	Roller Plate
98	BH-7155-06	A00019-030	Cable 3/32 x 30"
99	BH-7155-07	A00021-06	Cable Clamp 3/32
100	BH-7155-08	12-1179	Lock Pin
101	F-HC-0250-20-0875	A00004-07	Hex Bolt 1/4-20 x 7/8

**Not Pictured:**

BH-7152-10 12-1215K2 **Cable & Sheave KIT for 12000A**

**Note: Verification of Cable Ends is Necessary**

\* Custom Order By Request. Sample may be needed.

**TERMS AND CONDITIONS OF THE  
SALES ORDER  
FOR SVI INTERNATIONAL, INC.**

1. **GENERAL.** The terms and conditions of sales order outlined herein shall apply to the sale by SVI INTERNATIONAL, INC. (hereinafter referred to as "Company") of the items described on the facing page (hereinafter referred to as "Merchandise") to Purchaser.
2. **DELIVERY.** Delivery shall be deemed to be complete when the Merchandise has been shipped F.O.B. Company's plants in DeKalb, Illinois, Duarte, California; and Baltimore, Maryland ("Company's plants"). Shipments are subject to delays from causes or contingencies beyond the reasonable control of the Company. When otherwise not specified, shipments will be made in standard containers via carrier which, in the judgment of the Company, will result in the most practical method. Title and right of possession will pass to the Purchaser upon receipt by the carrier at the shipping point. If a customer of the Company should specify a specific carrier's method of shipment (i.e. UPS Next Day Air) and that carrier does not perform to the customer's expectations, freight credit to a customer's account will not be issued unless the Company can first obtain a credit.
3. **RISK OF LOSS.** Identification of the Merchandise under Uniform Commercial Code (hereinafter referred to as "UCC") Section 2-501 shall take place at the moment of shipment F.O.B. Company's plants. Risk of loss shall pass to the Purchaser when the Merchandise is shipped from the Company's plants.
4. **TITLE.** Title to the merchandise shall transfer to the Purchaser when the Merchandise is shipped from the Company's plants.
5. **WARRANTIES.** The Company guarantees its products to be free from defects in workmanship and raw materials for a period of one year from date of purchase. THIS WARRANTY IS EXPRESSLY IN LIEU OF ANY AND ALL WARRANTIES EXPRESS OR IMPLIED. COMPANY DOES NOT WARRANT THE MERCHANDISE IS MERCHANTABLE OR FIT FOR ANY PARTICULAR PURPOSE. Company's liability for breach of the terms of this Agreement, including any warranty, is limited to either refund of the invoice price of the Merchandise or at Company's option, replacement of the Merchandise free of charge, including transportation charges but not including the cost of labor. Purchaser has not relied on any statement or upon the conduct of Company with respect to the prospective use of the merchandise. Company shall not be liable for and Purchaser waives any and all claims for any loss or damage, directly or indirectly, arising from the use of the Merchandise and for punitive, incidental or consequential damages, including, but not limited to, damages to property, for loss of use, loss of time, loss of profit or loss of income. The Company does not authorize the sale of our products under any other warranty, expressed or implied.
6. **SETOFF.** All claims for money due or to become due from the Company shall be subject to deduction by the Company for any setoff or counterclaim arising out of this or any other claims of the Company or its affiliated companies, whether such setoff or counterclaim arose before or after any assignment by Purchaser.
7. **INDEMNIFICATION.** Purchaser agrees to indemnify the Company and hold it harmless from and against all claims, liability, loss, damage or expense, including reasonable counsel fees, arising from or by reason of any modifications or alterations made by Purchaser. If a customer of the Company modifies or alters any part, in any manner whatsoever, or uses any part in departure from recommended performance specifications, said customer agrees to indemnify and hold the Company harmless from and against all liability and expenses based on damage to property or injury to or death of any person arising out of or attributable to such modified or altered part. Further, the Company will not accept any such modified or altered part for credit to a customer's account.
8. **FREIGHT POLICY.** Freight charges on individual orders less than \$3,000 in net value are prepaid and added to invoice or collect F.O.B. shipping point. Freight charges (standard ground service and continental US only) on individual orders more than \$3,000 net value are paid by the Company F.O.B. shipping point. Note: customers with C.O.D. terms are responsible for all carrier C.O.D. fees regardless of order net value.
9. **RETURN POLICY.** To return parts for credit or inspection Purchaser must first contact the Company to obtain a Return Goods Authorization number (RGA#). Once Purchaser has obtained an RGA# the parts can be returned freight prepaid only. The RGA# must be on the outside of the container in a highly visible location. All parts must be returned freight prepaid and the shipment must include a letter of explanation giving the specific reason for return including details as to the conditions under which the part or parts operated. Note: parts returned without an RGA#, freight collect or without written explanation may be refused. Parts which have been used in any way or manner, including any installation or incorporation into a lift or hoist, shall NOT be eligible for return whether or not an RGA has been assigned.
10. **RESTOCK CHARGE.** Returns are subject to up to twenty-five (25%) restocking charge. Refusals are subject to the same restocking charge plus the cost of outbound and return freight charges and/or fees incurred by the Company due to shipment refusal.
11. **PRICES AND PAYMENTS.** All prices are subject to change without notice. All prices are F.O.B. shipping point. The Company standard terms are net 30 days, C.O.D. company check, C.O.D. cash, VISA, MasterCard, Discover or American Express. However, if in the judgment of the Company, the financial condition of the Purchaser at any time does not justify shipment according to standard terms of payment, the Company may require full or partial payment in advance.
12. **INTERPRETATION.** This sales order is intended by the parties as a complete and exclusive statement of the terms of their agreement. It supersedes all prior agreements, written or oral. No course of prior dealings between the parties and no usage of the trade shall be relevant to supplement or explain any terms used in this sales order. Acceptance or acquiescence in a course of performance rendered under this purchase order shall not be relevant to determine the meaning of this sales order even though the accepting or acquiescing party has knowledge of the nature of the performance and opportunity for objection. Whenever a term defined by the UCC is used in this sales order the definition contained in the UCC shall control.
13. **MODIFICATION.** This sales order can be modified or rescinded only by a writing signed by both parties.
14. **WAIVER.** No claim or right arising out of a breach of this sales order can be discharged in whole or in part by a waiver or renunciation of the claim or right unless such waiver or renunciation is supported by consideration and is in writing signed by the aggrieved party.
15. **ASSIGNMENT.** No right or interest in this sales order shall be assigned by either party without the written consent of the other and no delegation of any obligation owed, or of the performance of any obligation by either the Company or Purchaser shall be made without the written consent of the other party. Any attempted assignment or delegation not made in conformity with this paragraph shall be wholly void and totally ineffective for all purposes.
16. **TIME TO PERFORM AND BRING ACTION.** Time is of the essence of this sales order. Any action for breach of this sales order shall be commenced within two (2) years after the cause of action has accrued. Any party who loses any litigation shall reimburse the other party for costs including reasonable attorneys fees. The exclusive jurisdiction for any legal action shall be the Circuit Court of DeKalb County, Illinois.
17. **APPLICABLE LAW.** This sales order shall be governed by the UCC of Illinois as effective and in force on the date of this sales order.

*Offering the Best in Automotive Lift Repair Parts and More!*

---

Auto Lift Cables • Auto Lift Parts • Brake Lathe Repair Parts

Compressed Air Repair Parts • Exhaust System Products • Fluid Delivery Repair Parts

Lubrication Equipment Repair Parts • Repair Parts for Gasboy Consumer Series

Service Station Pump and Tank Products • SVI Misc Auto Lift Products and Catalogs

Tire Changer Repair Parts • Vehicle Lifting Systems • Wheel Balancer Accessories

---

***Serving the Industry Since 1977 • Same-Day Shipping***



**SVI International, Inc.**

**(800) 321-8173 • fax: (800) 899-1784**

155 Harvestore Drive • DeKalb, IL 60115

**[www.sviinternational.com](http://www.sviinternational.com)**

**BALTIMORE • CHICAGO • LOS ANGELES**

While the utmost care has been used in compiling this reference material, we assume no responsibility for errors. Specifications are subject to change without notice. This edition supersedes all previous editions or issues. SVI reference material is subject to change without notice. All rights reserved.