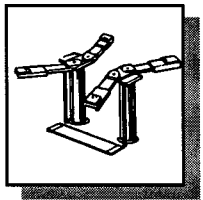




Lift Repair Catalog

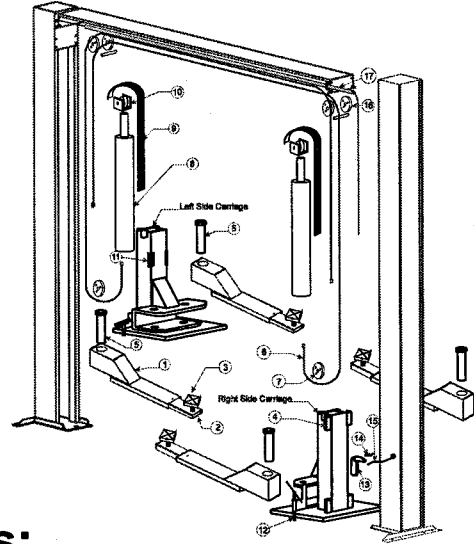
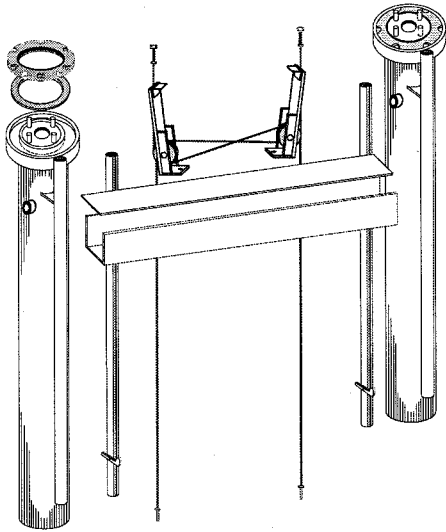


LRC9700E

S V I International, Inc. - Lift Repair Parts

May 2001

For Western Lifts In-Ground and Surface-Mount Lifts



For Models:

XLA - Single Post Semi-Hydraulic Hoist
XLH - Single Post Full-Hydraulic Hoist
XCA and H - Single Post Cushion Hoist
DYA and H - Single Post Deep Yoke Type Hoist
WYA and H - Single Post Wide Yoke Hoist
WYCA and H - Single Post Cushion Yoke Hoist
P-2 - Twin Post Side by Side with 33" piston centers
WP-2 - Twin Post Side by Side with 57-1/2" piston centers
AP-88 - Two Post Fore and Aft with Stationary 8-5/8" posts
AP-810 - Two Post Fore and Aft with Stationary posts (8-5/8" front, 10-5/8" rear)
AC-88 - Two Post Fore and Aft with moveable front post (8-5/8" posts)
AC-810 - Two Post Fore and Aft with moveable front post (8-5/8" front, 10-5/8" rear)
AC-1010 - Two Post Fore and Aft with moveable front post (10-5/8" posts)
AC-1012 - Two Post Fore and Aft with moveable front post (10-5/8" front, 12-5/8" rear)

To Order: 630-365-9250 / 800-321-8173 or Fax: 630-365-2809 / 800-899-1784

Please Note: All names and numbers are used for reference purposes only. It is not implied that any part listed is the product of these manufacturers; however, some parts may be the actual product of these manufacturers.

Entire contents © 2001 by SVI International, Inc., All rights reserved.

Repair Parts for Western Lifts

Packing Kit Information

S V I provides two basic types of packing kits for the 10-5/8" and 8-1/2" plungers. The BH-1778-SP (10-5/8") and BH-1778-2SP (8-1/2") are spring energized. For order pistons S V I offers the BH-1778-SPLS (10-5/8") and BH-1778-2SPLS (8-1/2").

The BH-1703 for all 12-5/8" pistons is only available in Black.

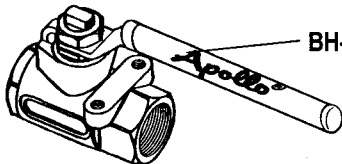
All Seal Kits include a felt wiper. Optional Rubber Wipers and packing glands are available for the 8-5/8" and 10-5/8" Kits. Please order the BH-1778-2B (8-5/8") or BH-1778B (10-5/8") for the wipers and BH-1778-2D (8-5/8") or BH-1778D (10-5/8") for the glands.

Arm Pivot Bolts

The Arm Pivot Bolts which hold the swing arms to the bolsters on all in-ground lifts require a spanner wrench to tighten. S V I offers these spanner wrenches with a manual handle or to use with an impact wrench.

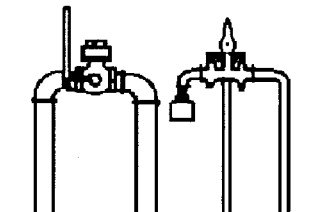
S V I Part No.	O.E.M. Part No.	Description
BH-9712-04	F-415	Swivel Arm Pin (since 1970)
BH-9712-03	F-410	Swivel Arm Pin (for old XL)
BH-9712-05	F-841	Handle Type Spanner Wrench
BH-9712-06	F-840	Air Impact Type Spanner Wrench

Oil Control Valves Air Control Valves



BH-9716 Ball Valve Style with yellow tubular Handle

- FK-238 External Spring Oil Valve
Mfg: Morrison Brothers
- FK-848 External Spring Oil Valve
Mfg: A.Y. McDonald
- FK-902 External Spring Oil Valve
Mfg: Milwaukee
- FK-438 Internal Spring Oil Valve
Mfg: Morrison Brothers



- FK-302-500 Locking Air Valve
- FK-303-500 Non-Locking Air Valve
- BH-9640 Air Valve Muffler

In-Ground Twin Post Side by Side Cable/Pulley Information

Western Side by Side twin post lifts are equalized by cables. Prior to June 1985 Western used a four cable system, utilizing two cables on each side and double groove pulleys. On these models the equalizer housings are rectangular.

P-2 prior to June 1985 - 33" piston centers:
Use cable BH-9703-01 - 129-1/2" long

WP-2 prior to June 1985 - 57-1/2" piston centers.:
Use cable BH-9701-01 - 153-1/2" long

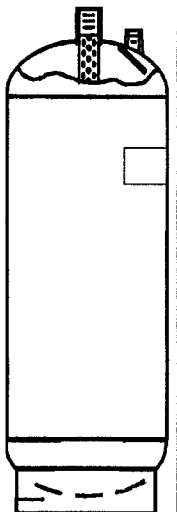
After June 1985 Western went to a two cable system, utilizing one cable on each side. On these models the equalizer housings are round.

P-2 since June 1985 - 33" piston centers:
Use cable BH-9704-01 - 109" long

WP-2 since June 1985 - 57-1/2" piston centers:
Use cable BH-9702-01 - 134" long

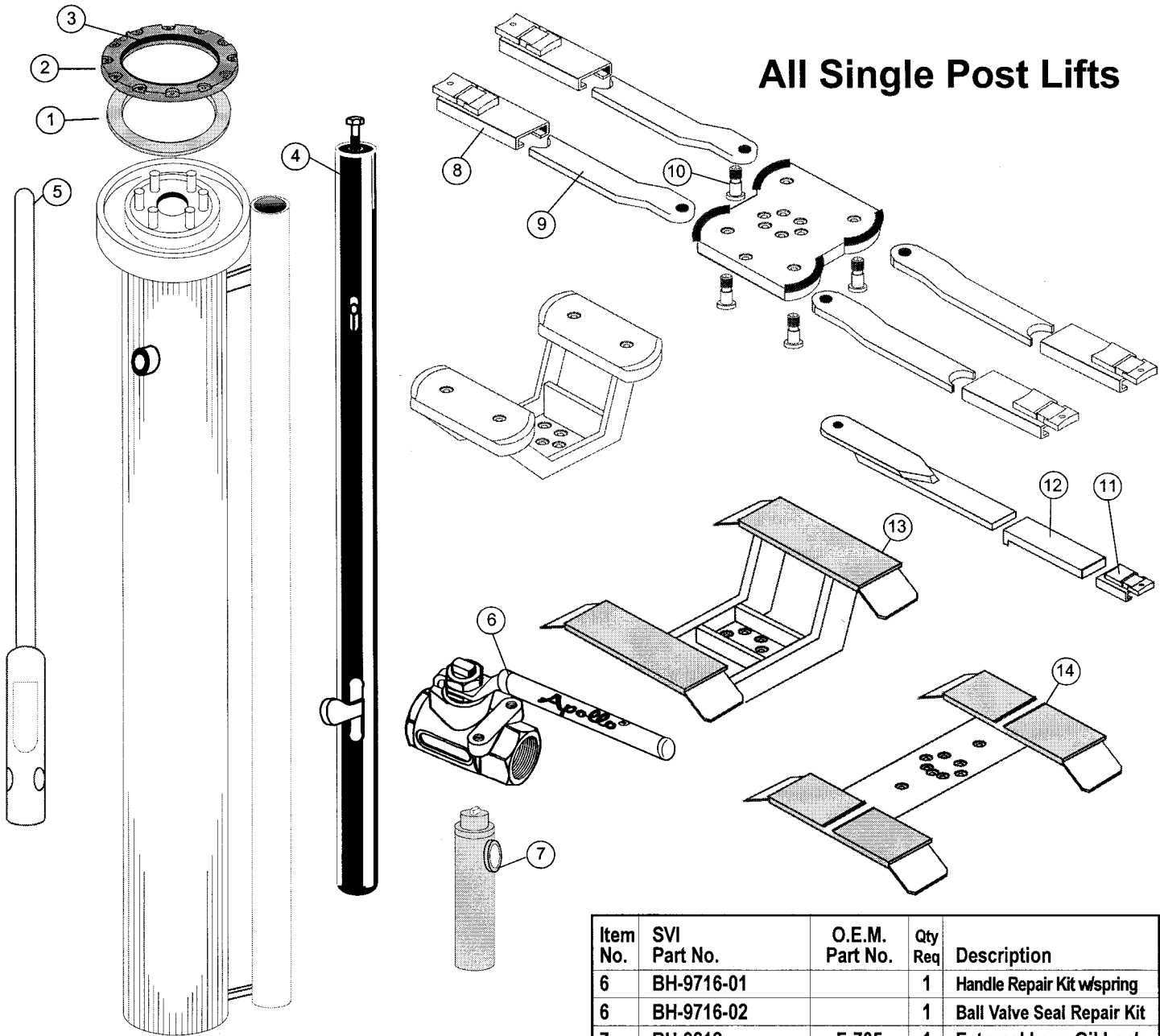
Air/Oil Tanks

S V I Tank No.	O.E.M. Tank No.	Description
BH-9802-C	M-725	42 Gallon Tank w/ Base Ring
BH-9802-FGC		42 Gallon Fiberglassed Tank
BH-9802-TC		42 Gallon Top Outlet Tank
BH-9802-TFG		Top Outlet Fiberglassed
BH-9804-C	M-735	62 Gallon Tank w/ Base Ring
BH-9804-FGC		62 Gallon Fiberglassed Tank
BH-9804-TC		62 Gallon Top Outlet Tank
BH-9804-TFGC		Top Outlet Fiberglassed
BH-9805-C	M-730	47 Gallon Tank w/ Base Ring
BH-9805-FGC		47 Gallon Fiberglassed Tank
BH-9805-TC		47 Gallon Top Outlet Tank
BH-9805-TFGC		Top Outlet Fiberglassed
BH-9806-C	M-740	82 Gallon Tank w/ Base Ring
BH-9806-FGC		82 Gallon Fiberglassed Tank
BH-9806-TC		82 Gallon Top Outlet Tank
BH-9806-TFGC		Top Outlet Fiberglassed Tank
BH-9811		Low Oil Float for Above Tanks
BH-9811-01		Eye Hook for BH-9811 float
BH-9812	F-705	External Low Oil Lock Mechanism piped next to oil control valve



Repair Parts for Western Lifts

All Single Post Lifts



Item No.	SVI Part No.	O.E.M. Part No.	Qty Req	Description
1	BH-1778-SP	U-200	1	Spring Style Hoist Packing
1	BH-1778-SPLS	U-201	1	LeakSealer™ Hoist Packing
2	BH-1778D	U-205	1	Aluminum Pkg. Gland
3	BH-1778B	U-212	1	Rubber Wiper
4	BH-EL-68	U-605	1	Non-Rotator, bottom rel
4	BH-TR-68	F-620	1	Non-Rotator, DY, WY models
5	BH-9717-01	F-700	1	Low Oil Lock - Semi Hyd.
6	BH-9716	U-701	1	Oil Valve - Ball Style

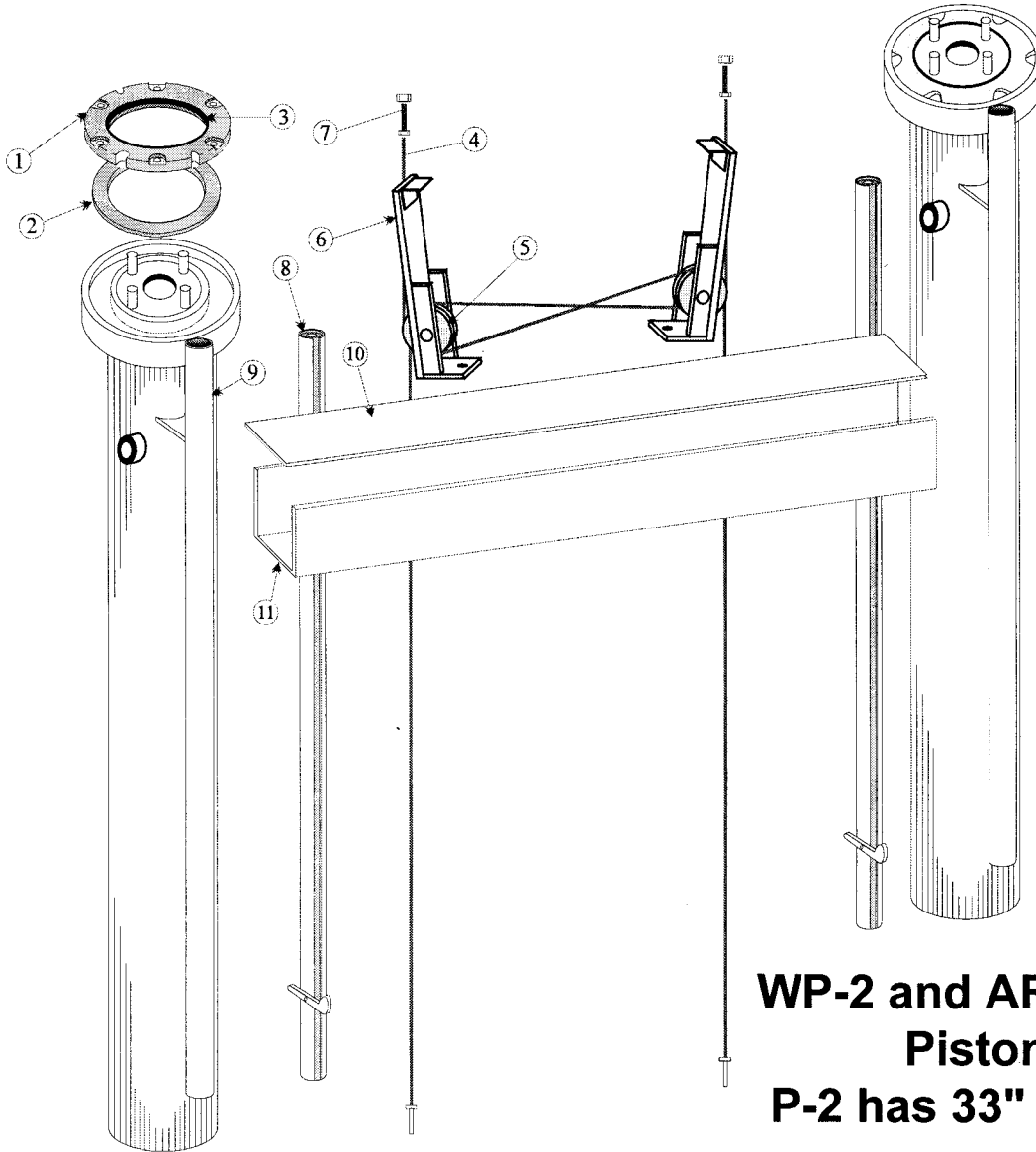
Item No.	SVI Part No.	O.E.M. Part No.	Qty Req	Description
6	BH-9716-01		1	Handle Repair Kit w/spring
6	BH-9716-02		1	Ball Valve Seal Repair Kit
7	BH-9812	F-705	1	External Low Oil Lock
8	BH-9712-01	F-300	4	Sleeve and Adapter Ass'y.
9	BH-9712-02	F-405	4	Swivel Arm All except XM
10	BH-9712-03	F-410	4	Arm Pin for old XL, RL
10	BH-9712-04	F-415	4	Swivel Arm Pin (since 1970)
11	BH-9713-01	F-335	4	Sleeve /Adapter RL & RS
12	BH-9713-02	F-340	4	Intermediate Sleeve
13	BH-9714-02	U-305	2	Cushion (53" x 18")
14	BH-9714-01	U-325	4	Small Cushion (17" x 18")
	BH-9712-05	F-841	1	Arm Bolt Spanner Wrench
	BH-9802	M-725	1	Air/Oil Tank for Full Hyd.

To Order: 630-365-9250 / 800-321-8173 or Fax: 630-365-2809 / 800-899-1784

Please Note: All names and numbers are used for reference purposes only. It is not implied that any part listed is the product of these manufacturers; however, some parts may be the actual product of these manufacturers

Repair Parts for Western Lifts

WP-2, P-2, AR-2 Twin Post Side By Side After June 1985



Two Cable System

Pistons are not removable

Note: SVI In-Ground Equalizer Cables for Western Lifts are Constructed Using Stainless Steel Wire Rope and Carbon Steel End Fittings.

WP-2 and AR-2 have 57-1/2" Piston Centers
P-2 has 33" Piston Centers

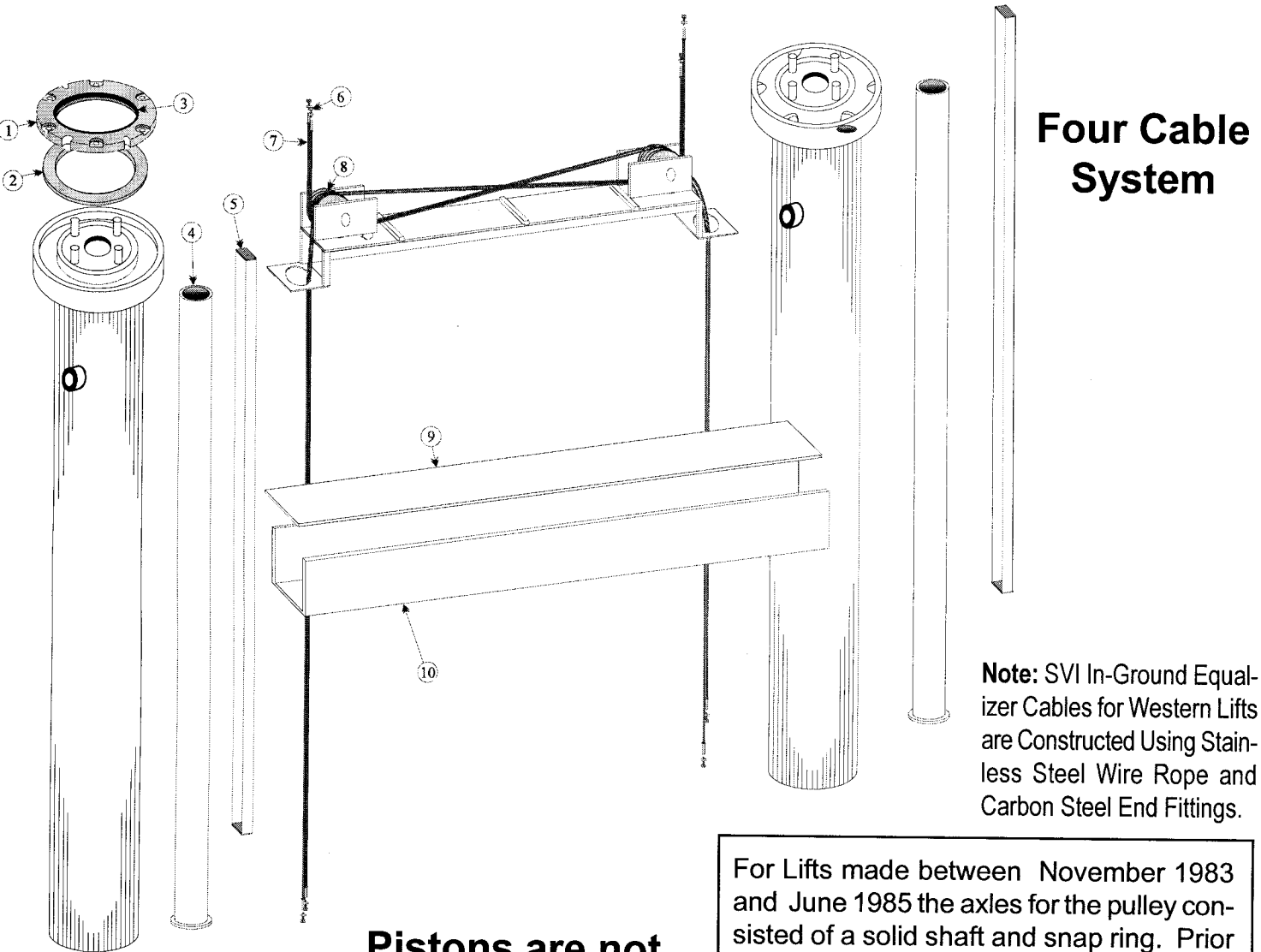
Item No.	SVI Part No.	O.E.M. Part No.	Qty Req	Description
1	BH-1778-2D	U-220	2	Aluminum Pkg. Gland
2	BH-1778-2Blue	U-215	2	Blue Style Packing Kit
2	BH-1778-2Black	U-216	2	Black Style Packing Kit
3	BH-1778-2B	U-232	2	Rubber Wiper
4	BH-9702-01	F-602	2	134" Eq. Cable for WP-2
4	BH-9704-01	F-607	2	109" Eq. Cable for P-2
5	BH-9702-02	F-617	2	Pulley, Axle Ass'y.
6	BH-9702-03	F-645	2	Pulley Bracket

Item No.	SVI Part No.	O.E.M. Part No.	Qty Req	Description
7	F-SC-0437-14-4000	F-820	2	7/16" Cable Cap Screw
7	F-HN-0437-14	F-285	2	7/16" Cable Nut
8	BH-9701-08	U-606	2	Equalizer Strut
9	BH-9702-06	U-601	2	Equalizer Strut Housing
10	BH-9702-07	F-510	1	Pulley Box Cover for WP-2
10	BH-9702-08	F-515	1	Pulley Box Cover for P-2
11	BH-9702-09	F-530	1	Pulley Box for WP-2, AR-2
11	BH-9701-10	F-535	1	Pulley Box for P-2

To Order: 630-365-9250 / 800-321-8173 or Fax: 630-365-2809 / 800-899-1784

Repair Parts for Western Lifts

WP-2, P-2, AR-2 Twin Post Side By Side Prior to June 1985



Four Cable System

Note: SVI In-Ground Equalizer Cables for Western Lifts are Constructed Using Stainless Steel Wire Rope and Carbon Steel End Fittings.

Pistons are not removeable

For Lifts made between November 1983 and June 1985 the axles for the pulley consisted of a solid shaft and snap ring. Prior to November 1983 the axle was a bolt, with a spacer and cotter pin.

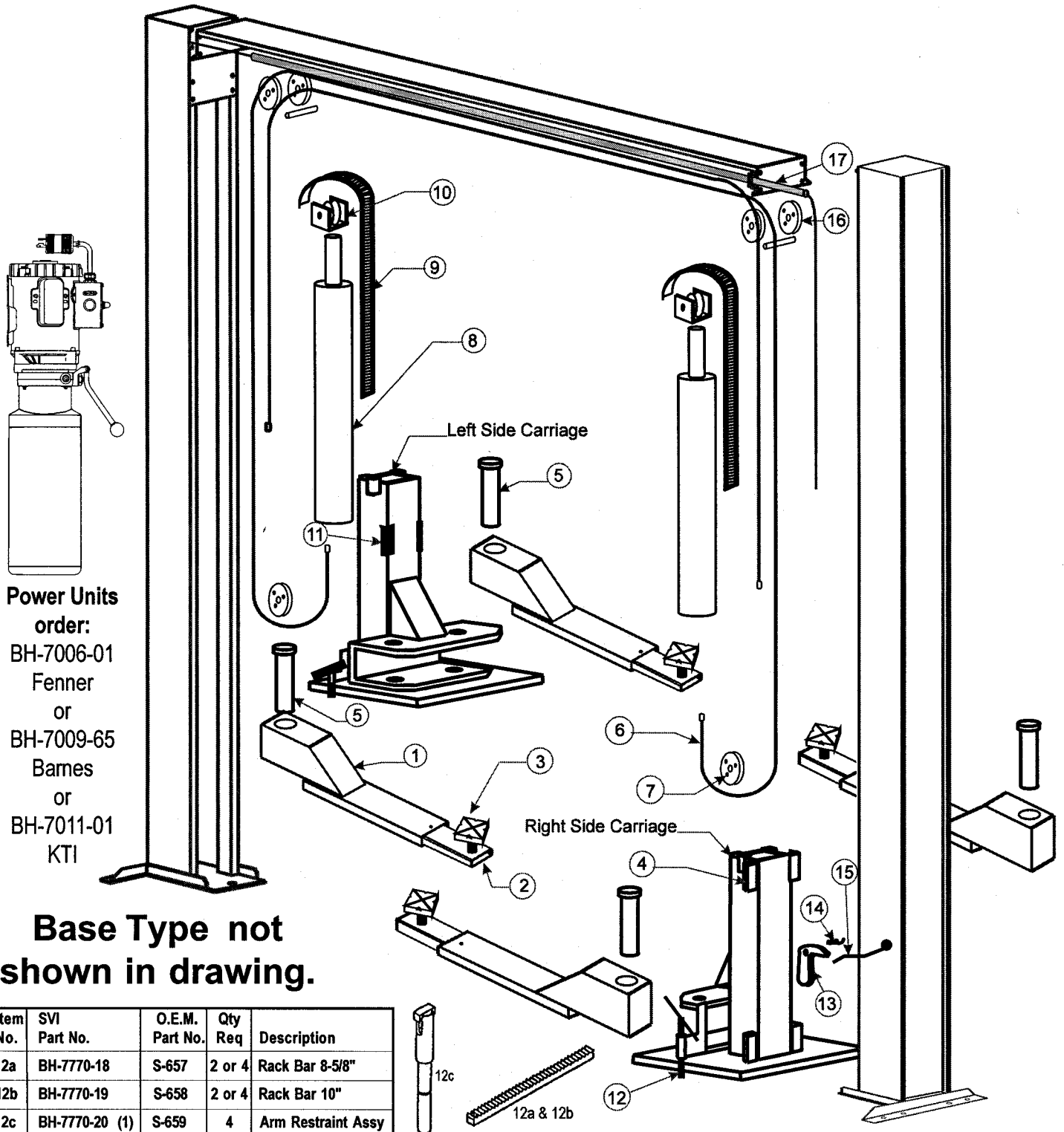
Item No.	SVI Part No.	O.E.M. Part No.	Qty Req	Description
1	BH-1778-2D	U-220	2	Aluminum Pkg. Gland
2	BH-1778-2Blue	U-215	2	Blue Style Packing Kit
2	BH-1778-2Black	U-216	2	Black Style Packing Kit
3	BH-1778-2B	U-232	2	Rubber Wiper
4	BH-9701-03	F-630	2	Equalizer Strut Housing
5	BH-9701-04	F-635	2	Rectangular Equal. Strut
6	F-SC-0375-16-4000	F-810	2	3/8" Cable Cap Screw 4"
6	F-SC-0375-16-1500		2	3/8" Cap Screw 1-1/2"

Item No.	SVI Part No.	O.E.M. Part No.	Qty Req	Description
6	F-HN-0375-16	F-815	4	3/8" Cable Nut
7	BH-9701-01	F-600	4	153-1/2" Eq. Cable for WP-2
7	BH-9703-01	F-605	4	129-1/2" Eq. Cable for P-2
8	BH-9701-02	F-615	2	Pulley/Axle Ass'y. 11/83 to 6/85
8	BH-9703-02	F-610	2	Pulley/Axle Prior to 11/83
9	BH-9701-15	F-500	1	Pulley Box Cover WP-2, AR-2
10	BH-9701-16	F-520	1	Pulley Box for WP-2, AR-2
10	BH-9701-17	F-525	1	Pulley Box for P-2

To Order: 630-365-9250 / 800-321-8173 or Fax: 630-365-2809 / 800-899-1784

Repair Parts for Western Lifts

WL Series Surface-Mount Lift Parts



To Order: 630-365-9250 / 800-321-8173 or Fax: 630-365-2809 / 800-899-1784

Please Note: All names and numbers are used for reference purposes only. It is not implied that any part listed is the product of these manufacturers, however, some parts may be the actual product of these manufacturers



Repair Parts for Western Lifts

Surface Lift Parts Breakdown

Item No.	SVI Part No.	O.E.M. Part No.	Qty Req	Description
1	BH-7750-03	S-405	4	Arm Assy (WL7/9, WLO7/9)
1	BH7750-04	S-416	4	Outer Arm w/arm Lock (current)
2	BH-7750-05	S-417	4	Inner Arm w/adapter (current)
3	BH-7750-02	S-350	4	Square Rubber Arm Pad
3	BH-7750-01		4	5-1/2" Height Extension
4	BH-7770-01	S-425	8	Carriage Slider Block
5	BH-7750-06	S-422	4	Arm Pivot Pin (current)
5	BH-7750-07	S-407	4	Arm Pivot Pin (old style)
6	Cables: see listing			
7	BH-7771-06	S-600	2	4" Lower Pulley
7	BH-7770-02	S-615	2	Lower Sheave Asm (Base Type)
7	BH-7770-03	S-501	2	Lower Sheave Shaft
8	BH-7761	S-100	2	Hydraulic Cylinder
8	BH-7761R	S-100R	2	Hyd Cylinder old style
8	BH-7761-01	S-210	2	Seal Kit for Cylinder
9	BH-7028	S-400		Lifting Chain (specify length)
10	BH-7761-03	S-401	2	Chain Pulley Assembly
11	BH-7771-08	S-809	4	Door Protector
12	BH-7771-09 set of 4	S-415	1	Arm Restraint (since 6/87)
13	BH-7770-04	S-618	2	Locking Dog
13	BH-7771-01	S-603	2	Locking Dog (old style)
14	BH-7770-05	S-619	2	Locking Dog Spring
14	BH-7771-02	S-604	2	Lock Dog Spring (old style)
15	BH-7770-06	S-620	2	Lock Release Handle
15	BH-7771-03	S-605	2	Lock Release Handle (old style)
15	BH-7770-07 N/A	S-621	2	Lock Release Pin
15	BH-7770-08*	S-622	2	Lock Release Knob
16	BH-7770-10	S-426	2	Upper Sheave Assy
16	BH-7771-10	S-411	2	Upper Sheave (old style)
17	BH-7770-11	S-718	1	Limit Switch only
17	BH-7770-12	S-709	1	Limit Switch Assembly
17	BH-7771-11	S-707	1	Limit Switch (old style)
	BH-7770-13	S-701	1	Pump Hose
	BH-7770-14	S-704	1	Power Side Hyd. Hose
	BH-7770-15	S-720	1	Hyd. Hose (WL72/92)
	BH-7770-16	S-721	1	Hose (WLO72/WLO92)
	BH-7770-17	S-722	1	Hyd. Hose (WLO72A)
	BH-7771-15	S-706	1	Hyd. Hose (old style)

Surface Lift Cable Identification

SVI Part No.	O.E.M. Part No.	Model No.	Cable Length
BH-7760-02	S-502	WL-7 (1/88 until Discontinued)	25' 3"
BH-7760-02A	S-502L	WL-7 (2/83 to 1/88)	25' 8"
BH-7760-03A	S-503	WL-9 (5/87 to 6/29/87)	25' 10"
BH-7760-03B	S-503	WL-9 (6/30/87 to 1/88)	25' 8"
BH-7760-03	S-503	WL-9 (1/88 until Discontinued)	25' 3"
BH-7760-04A	S-504	WLO-7 (2/86 to 6/29/87)	33' 2"
BH-7760-04	S-504	WLO-7 (6/29/87 until Discont.)	32' 9"
BH-7760-04	S-504	WLO-7 (6/30/87 until Discont.)	32' 9"
BH-7760-05	S-505	WLO-9 (10/87 until Discont.)	32' 9"
BH-7760-06	S-506	WLO-7A (12/87 until Discont.)	32' 0"
BH-7760-07	S-507	WL-72 (12/88 until Discont.)	27' 0"
BH-7760-08	S-508	WL-92 (12/88 until Discont.)	27' 0"
BH-7760-13C	S-509	WLO-72 (12/88 until Discont.)	33' 11"
BH-7760-10	S-510	WLO-92 (12/88 until Discont.)	33' 11"
BH-7760-11	S-511	WLO-72A (12/88 until Discont.)	33' 4"
BH-7760-12A	S-512	WL-70 (10/90 to 6/24/92)	29' 5"
BH-7760-12	S-512	WL-70 (6/25/92 to 11/21/93)	29' 2"
BH-7760-12	S-512	WL-70,70A (11/22/93 to present)	29' 2"
BH-7760-13A	S-513	WLO-70 (3/01/90 - 4/23/90)	33' 0"
BH-7760-13B	S-513	WLO70/70A (4/24/90 - 6/24/92)	33' 2"
BH-7760-13C	S-513	WLO-70/70A (6/25/92 - 11/21/93)	33' 11"
BH-7760-10	S-513	WLO-70/70A (11/22/93 to present)	33' 11"
BH-7760-14A	S-514	WLO-70R (7/90 to 6/24/92)	32' 6"
BH-7760-14	S-514	WLO-70R (6/25/92 to 11/21/93)	33' 3"
BH-7760-14B	S-514	WLO-70R (11/22/93 to present)	33' 3"
BH-7760-15	S-515	WLO-90 (7/90 to 6/24/92)	33' 2"
BH-7760-10	S-515	WLO-90/90A (6/25/92 to 11/21/93)	33' 11"
BH-7760-15B	S-515	WLO-90/90A (11/22/93 to present)	34' 0"
BH-7760-16	S-516	WL-90/90A	29' 2"
BH-7760-17		W7 (4/91 Until Disc.)	29' 2"
BH-7760-17A		W07/W07A (4/91 Until Disc.)	33' 11"
BH-7760-10		W09/W09A (4/91 Until Disc.)	33' 11"

For more details on cables see SVI cable booklet.

For Replacement Power Unit order BH-7006-01.

For Replacement Power Unit Parts please see the power unit parts breakdown in the S V I catalog or call S V I.

For Replacement Cylinder - Must Have Serial Number

* Need Serial Number

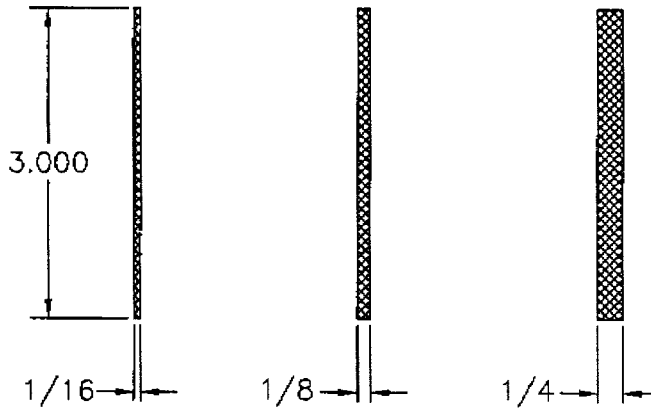
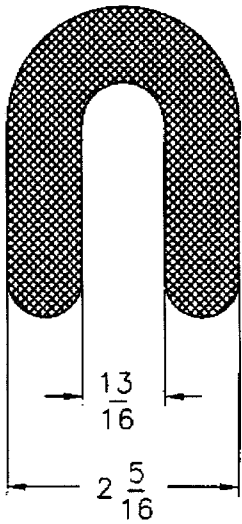
To Order: 630-365-9250 / 800-321-8173 or Fax: 630-365-2809 / 800-899-1784

Repair Parts for Western Lifts

Surface Mount Lifts Shim it Up

with "Direct Fit" BRAND Solutions

IDEAL FOR USE ON NEW INSTALLATIONS
OR WHEN RELOCATING A CUSTOMER'S LIFT



3 Different
Color Coded
Thicknesses
Available

HEAVY DUTY PLASTIC SLOTTED SHIMS

Extra-thick shims make it easy to level and align 2 and 4 post surface mount lifts. These rugged plastic shims will not corrode, rot or rust. A must have for every professional lift service technician in the industry. Sold in convenient 50 packs. Call SVI to order a supply for your service truck today!



SVI is your Answer!

To Order: 630-365-9250 / 800-321-8173 or Fax: 630-365-2809 / 800-899-1784

Please Note: All names and numbers are used for reference purposes only. It is not implied that any part listed is the product of these manufacturers, however, some parts may be the actual product of these manufacturers.