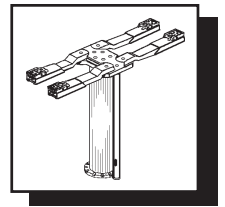




The Twin Post

Single Page Update for the S V I Line of
Automotive Service Equipment Repair Parts - June 1998 (2)



- Atlanta
- Baltimore
- Chicago
- Los Angeles

Safety Leg SALE

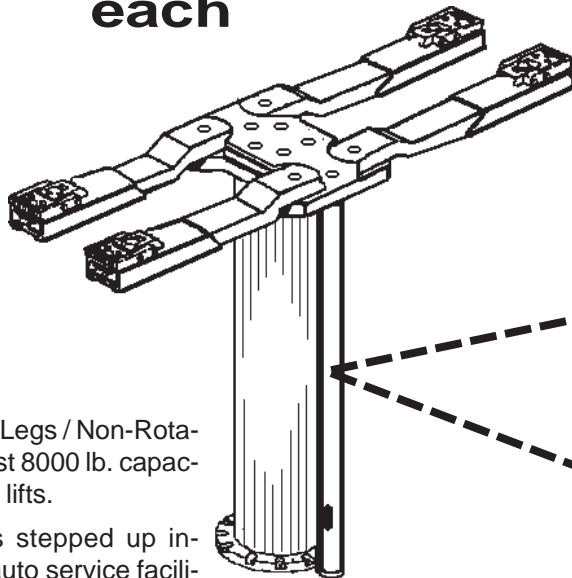
Sale Dates June 22, 1998 through July 31, 1998

STOCK UP & SAVE - Ends July 31st

BH-EL-66 series

\$xxx.xx

each

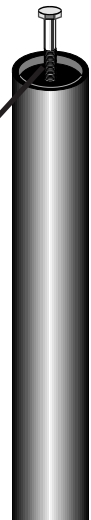


BH-TR-66 series

\$xxx.xx

each

5/8" - 3/4" & 1" Bolt Sizes
Now Available!



**Order Today
800-321-8173**

These Safety Legs / Non-Rotators will fit most 8000 lb. capacity single post lifts.

O.S.H.A. has stepped up inspections of auto service facilities. Safety Legs are a requirement on ALL in-ground lifts and there is no "Grandfather Clause" to exempt older lifts.

Now is a great time to stock up or get your customers up to O.S.H.A. standards - Call Today!

Part Number	Description	Top Bolt Size
BH-EL-66	Foot Release Safety Leg / Non-Rotator	5/8"
BH-EL-66A	Foot Release Safety Leg / Non-Rotator	3/4"
BH-EL-66B	Foot Release Safety Leg / Non-Rotator	1"
BH-TR-66	Finger Release Safety Leg / Non-Rotator	5/8"
BH-TR-66A	Finger Release Safety Leg / Non-Rotator	3/4"
BH-TR-66B	Finger Release Safety Leg / Non-Rotator	1"

Note: Orders will most likely ship from SVI's Baltimore "Ready Ship" warehouse.

Entire Contents Copyright © SVI International, Inc. 1998

To Order: 800-321-8173 or 630-365-9250 Fax: 800-899-1784 or 630-365-2809

All names, numbers symbols and descriptions are used for reference purposes only. It is not implied that any part listed is the product of these manufacturers, however; some parts may be the actual product of these manufacturers.