



Lift Repair Catalog

LRC1000B

S V I International, Inc. - Lift Repair Parts

January 2011

Cable Sheave & Chain Roller Identification Guide

Select-A-Size or Customize



**SVI is your
answer!**



- BALTIMORE
- CHICAGO
- LOS ANGELES

SVI International, Inc.

155 Harvestore Drive, DeKalb, IL 60115

Call: 800-321-8173 or 815-748-0200 • Fax: 800-899-1784 or 815-748-0210

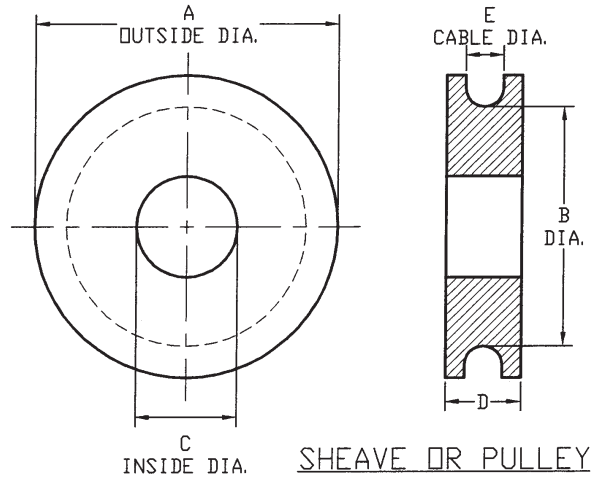
www.sviinternational.com

Select-A-Size or Customize

Cable Pulleys



Step #1:
Measure
your Pulley



SHEAVE OR PULLEY

SVI is your
answer!

Cable Pulleys



Step #2: *Select-A-Size* (continues on next page)

SVI Part #	A	B	C	D	E	*Material
BH-7435-21	1-1/4	1	47/64	5/16	1/5	
BH-7229-20	1-1/2	1-1/4	1/4	9/32	1/8	P
BH-7250-76	1-1/2	1- 5/16	7/32	3/8	3/16	A
BH-7109-96	1- 9/16	1	3/8	5/8	3/8	P
BH-7517-24	1- 9/16	31/32	3/8	5/8	7/16	P
BH-7516-32	1-3/4	1	1/2	7/8	5/8	S
BH-7104-08	1-3/4	1-3/8	1/4	1/4	1/8	P
BH-7592-06	2	1-5/8	1	3/8	3/16	S
BH-7592-05	3	2-3/8	1	5/8	1/4	S
BH-7229-18	3	2-3/8	3/8	9/16	1/4	S
BH-7476-51	3	2-13/32	3/4	5/8	3/8	S
BH-7151-65	3	2- 9/16	3/8	39/64	5/16	P
BH-7452-29	3-1/4	2-1/2	1-9/16	39/64	3/8	P
BH-7450-01A	3- 5/16	2-1/2	1-3/16	39/64	3/8	S
BH-7240-10	3-3/8	2- 9/16	1-3/16	21/32	7/16	S
BH-7104-04	3- 7/16	2-5/8	3/4	3/4	1/4	P
BH-7435-73	3-1/2	2-11/16	1	3/4	5/16	S
BH-7437-86	3-1/2	2-3/4	3/4	3/4	5/16	S
BH-7100-00	3-1/2	2-7/8	3/4	9/16	3/8	P
BH-7100-00S	3-1/2	2-7/8	3/4	9/16	3/8	S
BH-7528-85	3-1/2	2-31/32	3/4	3/4	3/8	S
BH-7116-08	3-1/2					
BH-7490-00	3-5/8	2-7/8	1	3/4	3/8	S
BH-7500-50	3-5/8	2-31/32	3/4	25/32	5/16	S
BH-7500-50N	3-5/8	2-31/32	3/4	25/32	5/16	P
BH-7232-08	3-5/8	3	1	1	3/8	P
BH-7487-23	3-3/4	2-29/32	25mm (.984)	3/4	3/8	S
BH-7702-20	3-3/4	3	1-1/4	1 1/2	7/16	S or P
BH-7180-01	4	3-1/4	3/4	3/4	3/8	S

*Material: s= steel, p= plastic



Cable Pulleys



Step #2: *Select-A-Size*

(continued from previous page)

SVI Part #	DimA	DimB	DimC	DimD	DimE	*Mtl	Notes
BH-7180-02	4	3-1/4	3/4	1-3/4	3/8	S	
BH-7180-03	4	3-1/4	3/4	1-5/8	3/8	S	Dual pulley
BH-7202-007	4	3-1/4	3/4	3/4	7/16	S	
BH-7771-06	4	3-1/4	3/4	3/4	3/8	S	
BH-7250-56	4	3-3/8	3/4	5/8	7/16	S	
BH-7351-51	4-7/16	3-3/8	1	25/32	3/8	S	
BH-7350-40	4-7/16	3-7/16	5/8	7/8	5/16	S	
BH-7235-00	4-3/4	4	1-3/8	3/4	3/8	S	
BH-7150-20	5	3-15/16	3/4	7/8	1/2	S	
BH-7151-20	5	3-15/16	3/4	7/8	7/16	S	
BH-7100-32	5	4	3/4	15/16	1/2	S	
BH-7226-13	5	4-5/16	1-3/8	15/16	7/16	S	
BH-7229-34	5	4-3/8	1	63/64	5/16	P	
BH-7229-34S	5	4-3/8	1	63/64	5/16	S	
BH-9701-02	5-5/32	4-5/8	3/4	2-1/8	5/16	S	Quad pulley
BH-7250-49	6	5-5/16	7/8	7/8	7/16	S	
BH-7254-71	6	5-3/8	1-1/2	21/32	7/16	S	
BH-7235-66	6-1/8	5-3/8	1-3/8	27/32	3/8	S	
BH-7285-08	6-3/4	5-1/2	1-1/2	45/64	13/32	S	
BH-7150-63	6-3/4	5-9/16	1-5/8	7/8	1/2	S	Dual pulley
BH-7150-67	6-3/4	5-9/16	1-5/8	7/8	1/2	S	
BH-7151-31	6-3/4	5-5/8	1-5/8	7/8	7/16	S	
BH-7287-86	6-3/4	6-1/8	1-1/2	3/4	3/8	S	
BH-7285-11	6-3/4	6-1/8	1-1/2	1	3/8	S	
BH-7501-40	7	5-31/32	1-1/4	13/16	3/8	S	
BH-7222-04	7	6-1/8	1-5/8	1	5/16	S	
BH-7436-31	7-1/4	6-1/8	1-1/2	1 3/8	3/8	S	
BH-7212-159	8	7-1/8	30mm (1.181)	1	1/2	S	
BH-7501-45	8-1/8	7	1-1/2	7/8	7/16	S	
BH-7204-015	8-1/4	7-3/8	1-9/16	1	7/16	S	
BH-7212-081	8-1/4	7-1/2	45mm (1.772)	1-13/16	3/16	S	Triple pulley
BH-7213-55	8-5/16	7-3/8	1-1/4	13/16	1/2	S	
BH-7531-51	8-13/16	7-11/16	1-1/2	7/8	7/16	S	
BH-7102-23	9	8	1-1/2	2	1/2	S	
BH-7102-88	9	8	1-1/2	2	7/16	S	
BH-7154-04	9-1/16	7-3/4	1-5/8	7/8	3/8	S	Dual pulley
BH-7151-67	9-1/8	7-13/16	1-5/8	1-3/8	7/16	S	
BH-7151-48	9-3/16	8	1-5/8	7/8	7/16	S	
BH-7531-56	9-1/4	8	1-1/2	1	1/2	S	
BH-7516-21	10-1/8	9-1/16	1-1/2	7/8	7/16	S	
BH-7501-50	11-3/4	10	1-1/2	1-13/64	9/16	S	
BH-7255-57	4	3-1/4	47/64	13/16	15/32		

*Material: S= steel, P= plastic

Don't see the size you need? Move to step 3 and customize. SVI makes it easy!



Cable Pulleys



Step #3: *Customize*



If your pulley or chain roller size cannot be identified, copy this custom order sheet, fill it out and fax it to your SVI representative at fax # 800-899-1784.
NOTE: A full-size form is available in the Forms section of this catalog.

Cable Sheave Worksheet

Be sure to include all 5 dimensions.

1.
O. D.

2.
O. D. OF CABLE

3.
WIDTH

4.
NEED ONE OF THESE DIMENSIONS

4.
O. D.

5.
OUTSIDE DIAMETER OF SHAFT THAT GOES THRU SHEAVE. MEASURE OUTSIDE DIAMETER IN AN AREA THAT IS NOT WORN. USE CALIPERS OR MICROMETER TO MEASURE. GIVE DIMENSION TO THE THOUSANDTHS PLACE. FOR EXAMPLE: 1.181" O. D.

CUSTOMER NAME: _____

PHONE #: _____

FAX #: _____

LIFT BRAND: _____

MODEL: _____

<p>SVI International, Inc. 155 Harvestore Dr. • DeKalb, IL 800-321-8173 • fax: 800-899-1784 Automotive Service Equipment</p>	SCALE: NONE
	DATE: 12/16/05
	DRAWN BY: MM
	REV.
PART NAME CABLE SHEAVE WORKSHEET	REF.
PART No.	

THIS DRAWING IS THE PROPERTY OF SVI INTERNATIONAL, INC. IT IS NOT TO BE USED OR DUPLICATED WITHOUT WRITTEN PERMISSION OF THE OWNER AND IS NOT TO BE USED IN ANY WAY INCONSISTENT WITH THE PURPOSE FOR WHICH IT WAS LOANED.

NOTE: A full-size form is available in the Forms section of this catalog.



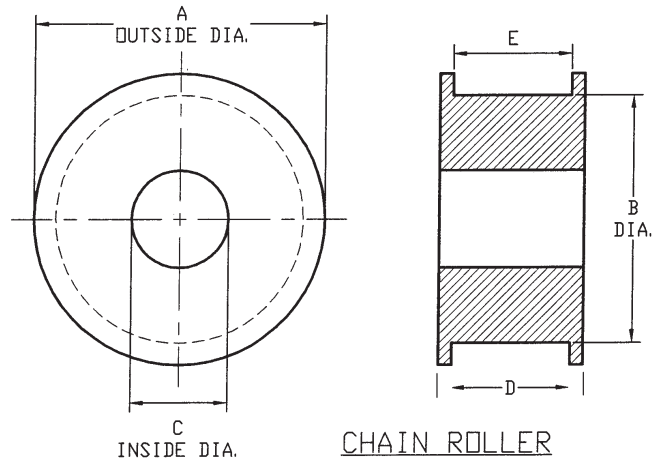
Chain Rollers



Step #1. Measure your Chain Roller



- BALTIMORE
- CHICAGO
- LOS ANGELES



CHAIN ROLLER

Chain Rollers



Step #2: *Select-A-Size*

SVI Part #	Dim. A	Dim. B	Dim. C	Dim. D	Dim. E
BH-7621-15	2-3/4	2-3/8	3/4	1-13/16	1 -7/16
BH-7110-27	2-15/16	2-3/8	3/4	1-3/4	1-1/2
BH-7760-99	3-1/2	3-15/64	3/4	1-3/4	1-23/64
BH-7208-19	3-7/8	3-1/2	1-1/2	1-3/8	1-1/16
BH-7208-26	3-7/8	3-1/2	1-1/2	1-3/8	1-1/16
BH-7239-46	4	3-3/4	3/4	1-25/32	1-3/8
BH-7251-14	4	3-3/4	1-3/8	1-15/16	1-9/16
BH-7621-19	4	3-3/4	1-3/8	1-3/4	1-3/16
BH-7205-24	4-1/8	3-3/4	2-3/4	2-13/64	1-51/64
BH-7621-14	4-1/8	3-3/4	3/4	1-13/16	1-7/16
BH-7350-48	4-7/16	5-1/32	1-1/2	2-3/8	1-29/32
BH-7487-20	4-1/2	3-3/4	26mm (1.024)	2-5/16	1-13/16
BH-7375-35	4-1/2	4	3/4	1-3/4	1-1/16
BH-7208-46	4-3/4	4-3/16	1-1/4	1-1/2	1-1/16
BH-7229-03	5	4	1-3/8	1-21/32	1-1/8
BH-7350-37	5-7/16	5-1/32	1-1/2	2	1-5/8
BH-7351-07	5-1/2	5	1-3/8	2-3/4	1-53/64
BH-7102-40	2-3/4	2-3/8	3/4	1-3/4	1-5/16

Don't see the size you need? Move to step 3 and customize. SVI makes it easy!



Chain Roller Customization



Step #3: *Customize*



If your pulley or chain roller size cannot be identified, copy this custom order sheet, fill it out and fax it to your SVI representative at fax # 800-899-1784.

NOTE: A full-size form is available in the Forms section of this catalog.

Chain Pulley Worksheet

Be sure to include all 6 dimensions.

1. OVERALL O. D.

2. NEED ONE OF THESE DIMENSIONS

3. OVERALL WIDTH

4. INSIDE WIDTH

5. WIDTH

6. OUTSIDE DIAMETER OF SHAFT THAT GOES THRU PULLEY. MEASURE OUTSIDE DIAMETER IN AN AREA THAT IS NOT WORN. USE CALIPERS OR MICROMETER TO MEASURE. GIVE DIMENSION TO THE THOUSANDTHS PLACE. FOR EXAMPLE: 1.181" O. D.

PULLEY MAY OR MAY NOT HAVE THIS STEPPED HUB.

CUSTOMER NAME: _____

PHONE #: _____

FAX #: _____

LIFT BRAND: _____

MODEL: _____

<p>SVI International, Inc. 155 Harvestore Dr. • DeKalb, IL 800-321-8173 • fax: 800-899-1784 Automotive Service Equipment</p>	SCALE: NONE
	DATE: 12/16/05
	DRAWN BY: MM
	REV.
PART NAME CHAIN PULLEY WORKSHEET	REF.
PART No.	

THIS DRAWING IS THE PROPERTY OF SVI INTERNATIONAL INC. IT IS NOT TO BE USED OR DUPLICATED WITHOUT WRITTEN PERMISSION OF THE OWNER AND IS NOT TO BE USED IN ANY WAY INCONSISTENT WITH THE PURPOSE FOR WHICH IT WAS LOANED.

NOTE: A full-size form is available in the Forms section of this catalog.



Sheave Shaft Customization



Step #4: *Customize*

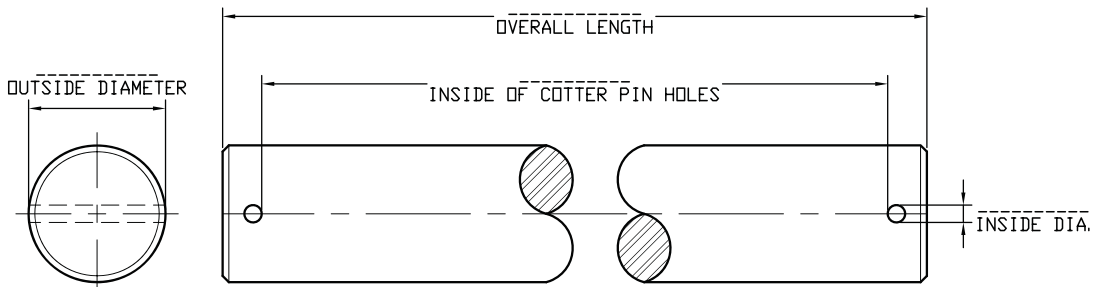


If your pulley or chain roller shaft cannot be identified, copy this custom order sheet, fill it out and fax it to your SVI representative at fax # 800-899-1784.

NOTE: A full-size form is available in the Forms section of this catalog.

Sheave Shaft Worksheet (with Cotter Pin Retainers)

MEASURE OUTSIDE DIAMETER
IN AN AREA THAT IS NOT WORN.
USE CALIPERS OR MICROMETER
TO MEASURE. GIVE DIMENSION
TO THE THOUSANDTHS PLACE.
FOR EXAMPLE: 1.181" O. D.



RECORD ALL MEASUREMENTS IN INCHES

NOTES:
1- REPLACEMENT SHAFT WILL BE SUPPLIED
WITH TWO NEW COTTER PINS.

CUSTOMER NAME: _____

PHONE #: _____

FAX #: _____

LIFT BRAND: _____

MODEL: _____

	SVI International, Inc. 155 Harvestore Dr. • DeKalb, IL 800-321-8173 • fax: 800-899-1784 Automotive Service Equipment	SCALE: NONE
		DATE: 12/16/05
		DRAWN BY: MM
		REV.
PART NAME	SHEAVE SHAFT WORKSHEET (WITH COTTER PIN RETAINERS)	REF.
PART No.		

THIS DRAWING IS THE PROPERTY OF SVI INTERNATIONAL, INC. IT IS NOT TO BE USED OR DUPLICATED WITHOUT WRITTEN PERMISSION OF THE OWNER AND IS NOT TO BE USED IN ANY WAY INCONSISTENT WITH THE PURPOSE FOR WHICH IT WAS LOANED.

NOTE: A full-size form is available in the Forms section of this catalog.



Sheave Shaft Customization



Step #4: *Customize*

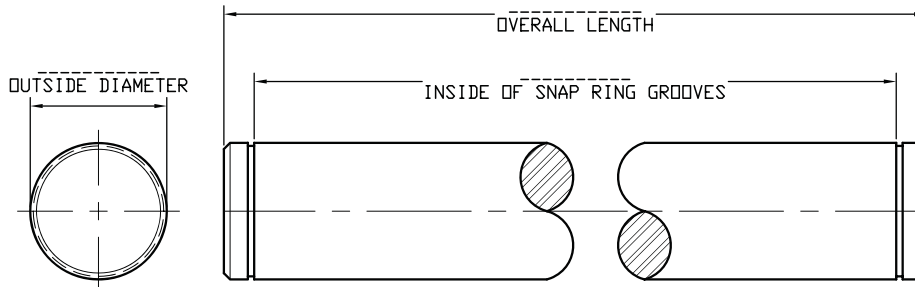


If your pulley or chain roller shaft cannot be identified, copy this custom order sheet, fill it out and fax it to your SVI representative at fax # 800-899-1784.

NOTE: A full-size form is available in the Forms section of this catalog.

Sheave Shaft Worksheet (with Snap Ring Retainers)

MEASURE OUTSIDE DIAMETER
IN AN AREA THAT IS NOT WORN.
USE CALIPERS OR MICROMETER
TO MEASURE. GIVE DIMENSION
TO THE THOUSANDTHS PLACE.
FOR EXAMPLE: 1.181" O. D.



RECORD ALL MEASUREMENTS IN INCHES

NOTES:
1- REPLACEMENT SHAFT WILL BE SUPPLIED
WITH TWO NEW SNAP RINGS.

CUSTOMER NAME: _____

PHONE #: _____

FAX #: _____

LIFT BRAND: _____

MODEL: _____

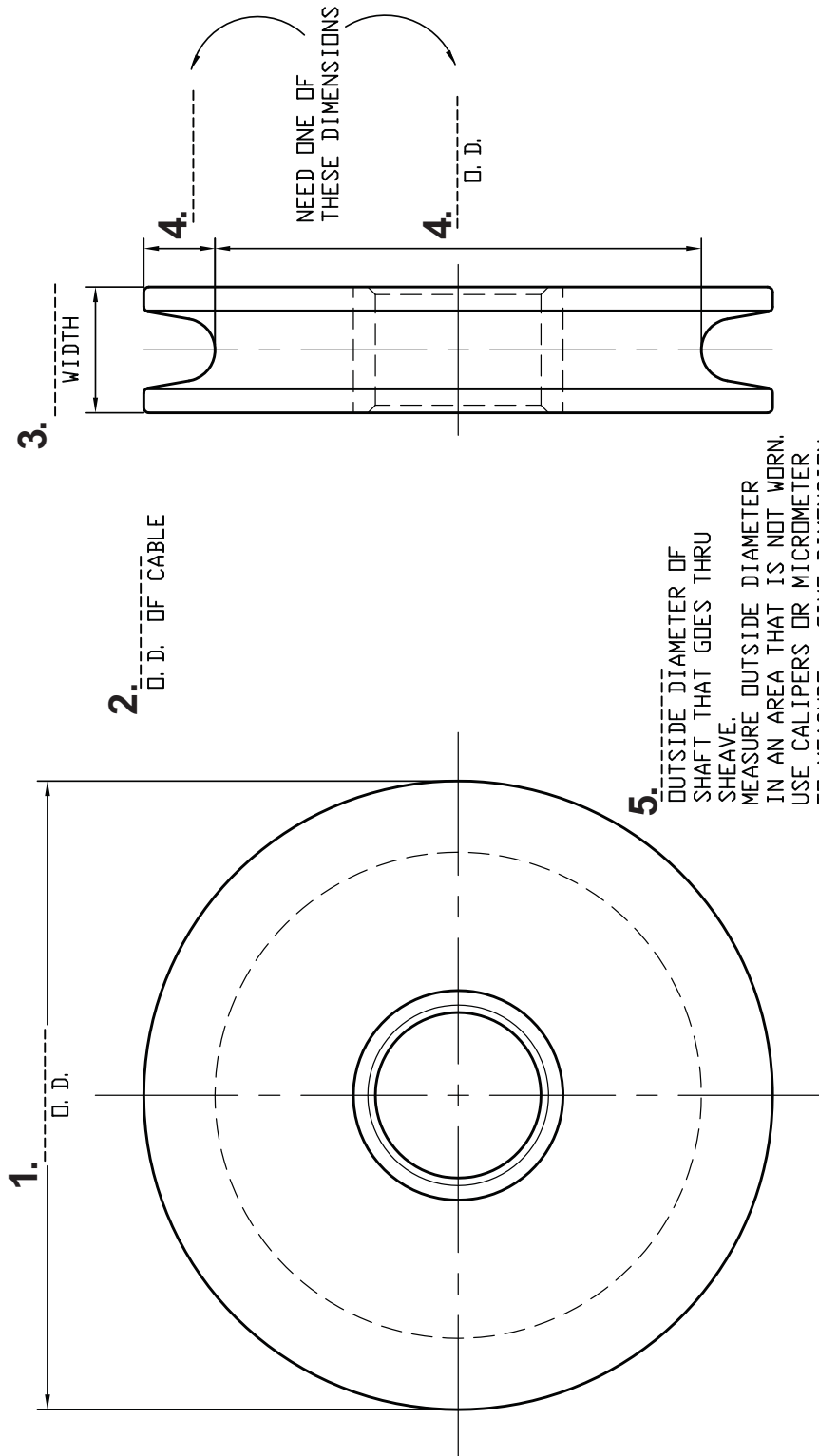
SVI International, Inc. 155 Harvestore Dr. • DeKalb, IL 800-321-8173 • fax: 800-899-1784 Automotive Service Equipment	SCALE: NONE
	DATE: 12/16/05
SHEAVE SHAFT WORKSHEET (WITH SNAP RING RETAINERS)	DRAWN BY: MM
	REV.
PART NAME	REF.
PART No.	

THIS DRAWING IS THE PROPERTY OF SVI INTERNATIONAL INC. IT IS NOT TO BE USED OR DUPLICATED WITHOUT WRITTEN PERMISSION OF THE OWNER AND IS NOT TO BE USED IN ANY WAY INCONSISTENT WITH THE PURPOSE FOR WHICH IT WAS LOANED

NOTE: A full-size form is available in the Forms section of this catalog.



Cable Sheave Worksheet • Include All 5 Dimensions



NEED ONE OF THESE DIMENSIONS

5. OUTSIDE DIAMETER OF SHAFT THAT GOES THRU SHEAVE. MEASURE OUTSIDE DIAMETER IN AN AREA THAT IS NOT WORN. USE CALLIPERS OR MICROMETER TO MEASURE. GIVE DIMENSION TO THE THOUSANDTHS PLACE. FOR EXAMPLE: 1.181" O. D.

SCALE: NONE	DATE: 12/16/05
DRAWN BY: MM	REV.
REF.	
SVI International, Inc. 155 Harvester Dr. - DeKalb, IL 800-321-8173 - fax: 800-899-1784 Automotive Service Equipment	
PART NAME	
CABLE SHEAVE WORKSHEET	
PART No.	

CUSTOMER NAME: _____

PHONE #: _____

FAX #: _____

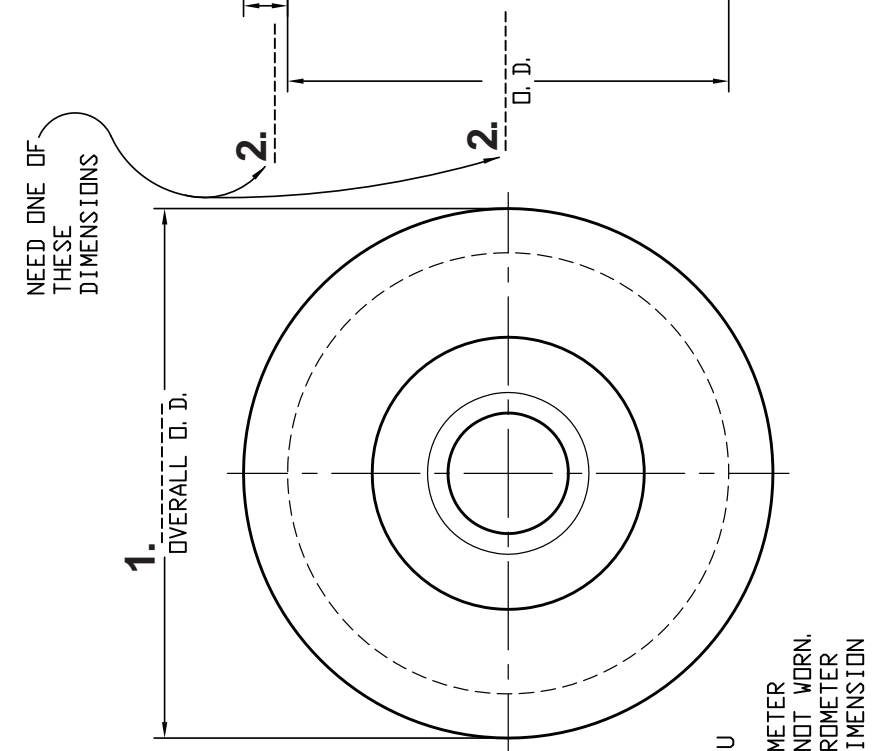
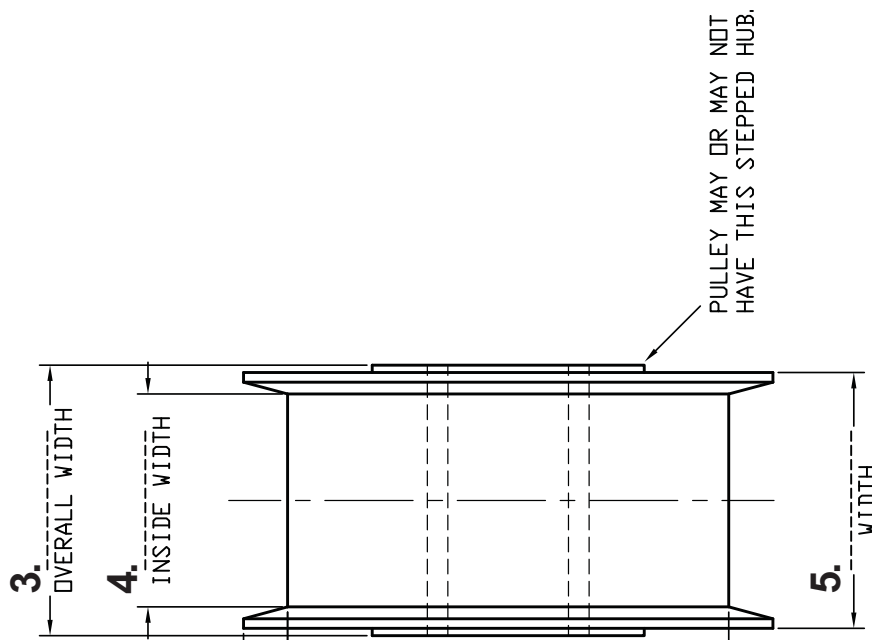
LIFT BRAND: _____

MODEL: _____

THIS DRAWING IS THE PROPERTY OF SVI INTERNATIONAL, INC. IT IS NOT TO BE REPRODUCED OR TRANSMITTED IN ANY FORM OR BY ANY MEANS, WITHOUT WRITTEN PERMISSION OF THE OWNER AND IS NOT TO BE USED IN ANY WAY INCONSISTENT WITH THE PURPOSE FOR WHICH IT WAS LOANED.



Chain Pulley Worksheet • Include All 6 Dimensions



6. OUTSIDE DIAMETER OF SHAFT THAT GOES THRU PULLEY. MEASURE OUTSIDE DIAMETER IN AN AREA THAT IS NOT WORN. USE CALIPERS OR MICROMETER TO MEASURE. GIVE DIMENSION TO THE THOUSANDTHS PLACE. FOR EXAMPLE: 1.181" O. D.

CUSTOMER NAME:

PHONE #:

FAX #:

LIFT BRAND:

MODEL:

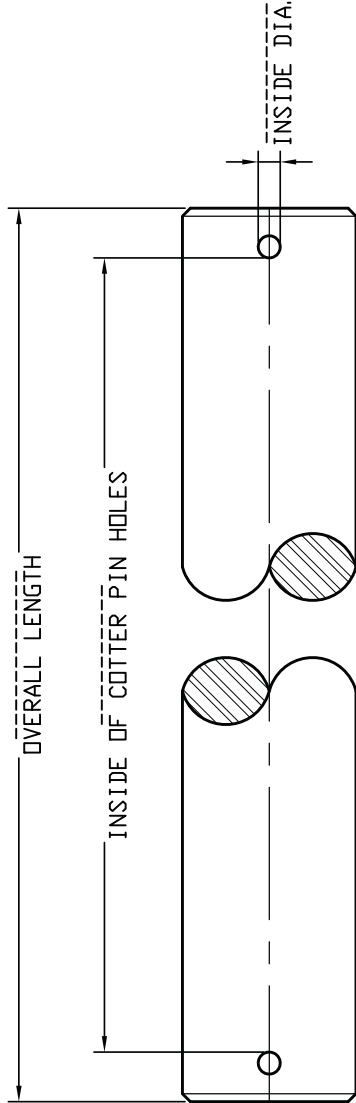
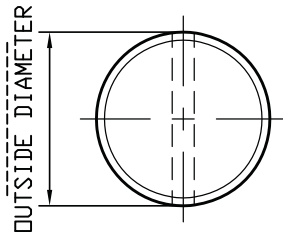
SVI International, Inc. 155 Harvestore Dr. - DeKalb, IL 800-321-8173 - fax: 800-899-1784 Automotive Service Equipment	SCALE: NONE
	DATE: 12/16/05
	DRAWN BY: MM
	REV.
	REF.
PART NAME: CHAIN PULLEY WORKSHEET	
PART No.	

THIS DRAWING IS THE PROPERTY OF SVI INTERNATIONAL INC. IT IS TO BE USED ONLY FOR THE PURPOSE FOR WHICH IT WAS LOANED. WRITTEN PERMISSION OF THE OWNER AND ITS NOT TO BE USED IN ANY WAY INCONSISTENT WITH THE PURPOSE FOR WHICH IT WAS LOANED.



Sheave Shaft Worksheet (with Cotter Pin Retainers Retainers)

MEASURE OUTSIDE DIAMETER
IN AN AREA THAT IS NOT WORN.
USE CALIPERS OR MICROMETER
TO MEASURE. GIVE DIMENSION
TO THE THOUSANDTHS PLACE.
FOR EXAMPLE: 1.181" O. D.



RECORD ALL MEASUREMENTS IN INCHES

NOTES:
1 - REPLACEMENT SHAFT WILL BE SUPPLIED
WITH TWO NEW COTTER PINS.


CUSTOMER NAME: _____

PHONE #: _____

FAX #: _____

LIFT BRAND: _____

MODEL: _____



SVI International, Inc.
155 Harvestore Dr. - DeKalb, IL
800-321-8173 - fax: 800-899-1784
Automotive Service Equipment

SCALE: NONE
DATE: 12/16/05
DRAWN BY: MM
REV.
REF.

PART NAME: SHEAVE SHAFT WORKSHEET
(WITH COTTER PIN RETAINERS)

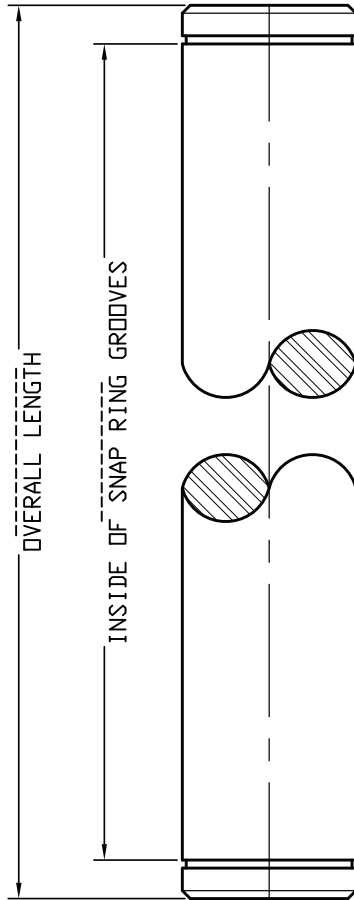
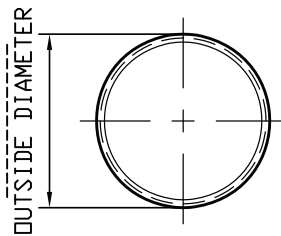
PART No.

THIS DRAWING IS THE PROPERTY OF SVI INTERNATIONAL AND IS NOT TO BE REPRODUCED OR TRANSMITTED IN ANY FORM OR BY ANY MEANS, ELECTRONIC OR MECHANICAL, WITHOUT WRITTEN PERMISSION OF THE DRAWER. THIS DRAWING IS TO BE USED IN ANY WAY INCONSISTENT WITH THE PURPOSE FOR WHICH IT WAS LOANED.



Sheave Shaft Worksheet (with Snap Ring Retainers)

MEASURE OUTSIDE DIAMETER
IN AN AREA THAT IS NOT WORN.
USE CALIPERS OR MICROMETER
TO MEASURE. GIVE DIMENSION
TO THE THOUSANDTHS PLACE.
FOR EXAMPLE: 1.181" O. D.



RECORD ALL MEASUREMENTS IN INCHES

NOTES:
1- REPLACEMENT SHAFT WILL BE SUPPLIED
WITH TWO NEW SNAP RINGS.


CUSTOMER NAME: _____

PHONE #: _____

FAX #: _____

LIFT BRAND: _____

MODEL: _____

 SVI International, Inc. 155 Harvestore Dr. - Dekalb, IL 800-321-8173 - fax: 800-899-1784 Automotive Service Equipment		SCALE: NONE
		DATE: 12/16/05
		DRAWN BY: MM
		REV.
PART NAME SHEAVE SHAFT WORKSHEET (WITH SNAP RING RETAINERS)		REF.
PART No.		

THIS DRAWING IS THE PROPERTY OF SVI INTERNATIONAL
AND IS NOT TO BE REPRODUCED OR TRANSMITTED IN ANY
MANNER WITHOUT THE WRITTEN PERMISSION OF THE OWNER AND IS NOT
TO BE USED IN ANY WAY INCONSISTENT WITH THE
PURPOSE FOR WHICH IT WAS LOANED

**TERMS AND CONDITIONS OF THE
SALES ORDER
FOR SVI INTERNATIONAL, INC.**

1. **GENERAL.** The terms and conditions of sales order outlined herein shall apply to the sale by SVI INTERNATIONAL, INC. (hereinafter referred to as "Company") of the items described on the facing page (hereinafter referred to as "Merchandise") to Purchaser.
2. **DELIVERY.** Delivery shall be deemed to be complete when the Merchandise has been shipped F.O.B. Company's plants in DeKalb, Illinois, Duarte, California; and Baltimore, Maryland ("Company's plants"). Shipments are subject to delays from causes or contingencies beyond the reasonable control of the Company. When otherwise not specified, shipments will be made in standard containers via carrier which, in the judgment of the Company, will result in the most practical method. Title and right of possession will pass to the Purchaser upon receipt by the carrier at the shipping point. If a customer of the Company should specify a specific carrier's method of shipment (i.e. UPS Next Day Air) and that carrier does not perform to the customer's expectations, freight credit to a customer's account will not be issued unless the Company can first obtain a credit.
3. **RISK OF LOSS.** Identification of the Merchandise under Uniform Commercial Code (hereinafter referred to as "UCC") Section 2-501 shall take place at the moment of shipment F.O.B. Company's plants. Risk of loss shall pass to the Purchaser when the Merchandise is shipped from the Company's plants.
4. **TITLE.** Title to the merchandise shall transfer to the Purchaser when the Merchandise is shipped from the Company's plants.
5. **WARRANTIES.** The Company guarantees its products to be free from defects in workmanship and raw materials for a period of one year from date of purchase. THIS WARRANTY IS EXPRESSLY IN LIEU OF ANY AND ALL WARRANTIES EXPRESS OR IMPLIED. COMPANY DOES NOT WARRANT THE MERCHANDISE IS MERCHANTABILITY OR FIT FOR ANY PARTICULAR PURPOSE. Company's liability for breach of the terms of this Agreement, including any warranty, is limited to either refund of the invoice price of the Merchandise or at Company's option, replacement of the Merchandise free of charge, including transportation charges but not including the cost of labor. Purchaser has not relied on any statement or upon the conduct of Company with respect to the prospective use of the merchandise. Company shall not be liable for and Purchaser waives any and all claims for any loss or damage, directly or indirectly, arising from the use of the Merchandise and for punitive, incidental or consequential damages, including, but not limited to, damages to property, for loss of use, loss of time, loss of profit or loss of income. The Company does not authorize the sale of our products under any other warranty, expressed or implied.
6. **SETOFF.** All claims for money due or to become due from the Company shall be subject to deduction by the Company for any setoff or counterclaim arising out of this or any other claims of the Company or its affiliated companies, whether such setoff or counterclaim arose before or after any assignment by Purchaser.
7. **INDEMNIFICATION.** Purchaser agrees to indemnify the Company and hold it harmless from and against all claims, liability, loss, damage or expense, including reasonable counsel fees, arising from or by reason of any modifications or alterations made by Purchaser. If a customer of the Company modifies or alters any part, in any manner whatsoever, or uses any part in departure from recommended performance specifications, said customer agrees to indemnify and hold the Company harmless from and against all liability and expenses based on damage to property or injury to or death of any person arising out of or attributable to such modified or altered part. Further, the Company will not accept any such modified or altered part for credit to a customer's account.
8. **FREIGHT POLICY.** Freight charges on individual orders less than \$3,000 in net value are prepaid and added to invoice or collect F.O.B. shipping point. Freight charges (standard ground service and continental US only) on individual orders more than \$3,000 net value are paid by the Company F.O.B. shipping point. Note: customers with C.O.D. terms are responsible for all carrier C.O.D. fees regardless of order net value.
9. **RETURN POLICY.** To return parts for credit or inspection Purchaser must first contact the Company to obtain a Return Goods Authorization number (RGA#). Once Purchaser has obtained an RGA# the parts can be returned freight prepaid only. The RGA# must be on the outside of the container in a highly visible location. All parts must be returned freight prepaid and the shipment must include a letter of explanation giving the specific reason for return including details as to the conditions under which the part or parts operated. Note: parts returned without an RGA#, freight collect or without written explanation may be refused. Parts which have been used in any way or manner, including any installation or incorporation into a lift or hoist, shall NOT be eligible for return whether or not an RGA has been assigned.
10. **RESTOCK CHARGE.** Returns are subject to up to twenty-five (25%) restocking charge. Refusals are subject to the same restocking charge plus the cost of outbound and return freight charges and/or fees incurred by the Company due to shipment refusal.
11. **PRICES AND PAYMENTS.** All prices are subject to change without notice. All prices are F.O.B. shipping point. The Company standard terms are net 30 days, C.O.D. company check, C.O.D. cash, VISA, MasterCard, Discover or American Express. However, if in the judgment of the Company, the financial condition of the Purchaser at any time does not justify shipment according to standard terms of payment, the Company may require full or partial payment in advance.
12. **INTERPRETATION.** This sales order is intended by the parties as a complete and exclusive statement of the terms of their agreement. It supersedes all prior agreements, written or oral. No course of prior dealings between the parties and no usage of the trade shall be relevant to supplement or explain any terms used in this sales order. Acceptance or acquiescence in a course of performance rendered under this purchase order shall not be relevant to determine the meaning of this sales order even though the accepting or acquiescing party has knowledge of the nature of the performance and opportunity for objection. Whenever a term defined by the UCC is used in this sales order the definition contained in the UCC shall control.
13. **MODIFICATION.** This sales order can be modified or rescinded only by a writing signed by both parties.
14. **WAIVER.** No claim or right arising out of a breach of this sales order can be discharged in whole or in part by a waiver or renunciation of the claim or right unless such waiver or renunciation is supported by consideration and is in writing signed by the aggrieved party.
15. **ASSIGNMENT.** No right or interest in this sales order shall be assigned by either party without the written consent of the other and no delegation of any obligation owed, or of the performance of any obligation by either the Company or Purchaser shall be made without the written consent of the other party. Any attempted assignment or delegation not made in conformity with this paragraph shall be wholly void and totally ineffective for all purposes.
16. **TIME TO PERFORM AND BRING ACTION.** Time is of the essence of this sales order. Any action for breach of this sales order shall be commenced within two (2) years after the cause of action has accrued. Any party who loses any litigation shall reimburse the other party for costs including reasonable attorneys fees. The exclusive jurisdiction for any legal action shall be the Circuit Court of DeKalb County, Illinois.
17. **APPLICABLE LAW.** This sales order shall be governed by the UCC of Illinois as effective and in force on the date of this sales order.