

SURFACE-MOUNT LIFT Power Units & Parts

Power Units & Parts



Replacement Power Units	2
Parts for Fenner/SPX Fluid Power Units	3-6
Parts for Global Hydraulics Power Unit	7
Power Unit Relocation Bracket	7
Parts for Barnes Power Units	8-9
Parts for M.T.E. Power Unit	10-11
Parts for Monarch Power Unit	12
Parts for Webster Power Unit	13



SVI International, Inc.
(800) 321-8173 • fax: (800) 899-1784

155 Harvestore Drive • DeKalb, IL 60115

www.sviinternational.com

BALTIMORE • CHICAGO • LOS ANGELES

**Power Units
& Parts**

LRC7000F



Power units

The choice is yours...



Fenner/SPX Fluid Power

BH-7006-01*	2HP	1PH	3.5 Gallon
BH-7006-03*	2HP	3PH	3.5 Gallon
BH-7006-05	2HP	1PH	6.5 Gallon
BH-7006-08	1HP	1PH - 110 Volt	3.5 Gallon
BH-7006-01LS*	2HP	1PH	3.5 Gallon
The BH-7006-01LS is pre-wired for an overhead limit switch. To purchase limit switch and housing, order BH-7006-47 and BH-7004-19 .			
BH-7007-01	3/4 HP	1PH	1.5 Gallon

*SPECIFICATIONS FOR BH-7006-01 • BH-7006-03 • BH-7006-01LS

Motor: BH-7006-01 & BH-7006-01LS 208-230 Volts AC, 3450 RPM, 1PH, 60Hz, 19 Amps, 2.0 HP

Motor: BH-7006-03 - 208-230/460 Volts AC, 3450 RPM, 3PH, 60Hz, 5.6-6.0/3.0 Amps, 2.0 HP

Draw: 19.0 Amps

Pump: 2.1 GPM @ 2200 PSI

Relief: Fixed at 2465 PSI Nominal

Endhead: Cast Iron with 3/8" NPT Aux. Port (plugged) and 9/16 SAE Pressure-Return Port

Tank: Plastic 4.0 Gallon Vertical

Valving: Cartridge style Check and Release

DB Rating: 65 to 70

Warranty: 1-Year Parts

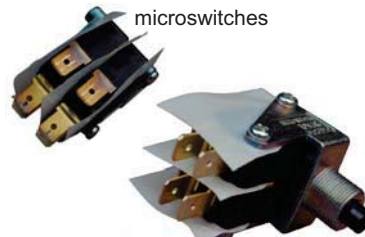
Frequently Requested Switches



BH-7004-19
Switch
Push to Raise
Kit: BH-7004-19K
(includes Boot)



BH-7503-65S
Raise Switch with
Green Button
Ref. # 1258-AA



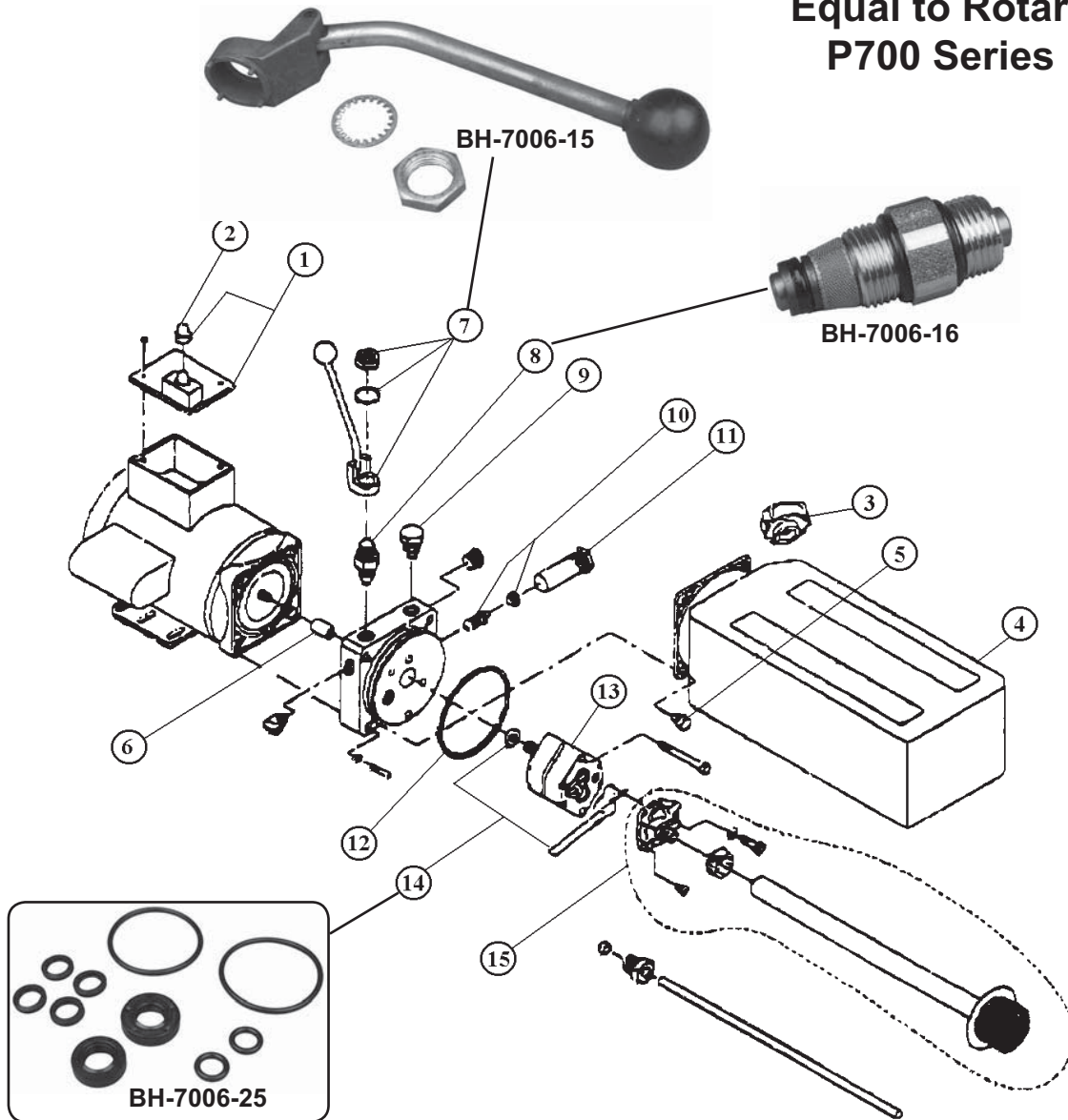
BH-7000-81
Switch Consisting of
(2) BH-7004-36 Microswitch
in a Push Button Housing



BH-7004-36
Small Microswitch
(New Style)

Parts for Fenner/SPX Fluid Power Units

**Equal to Rotary
P700 Series**



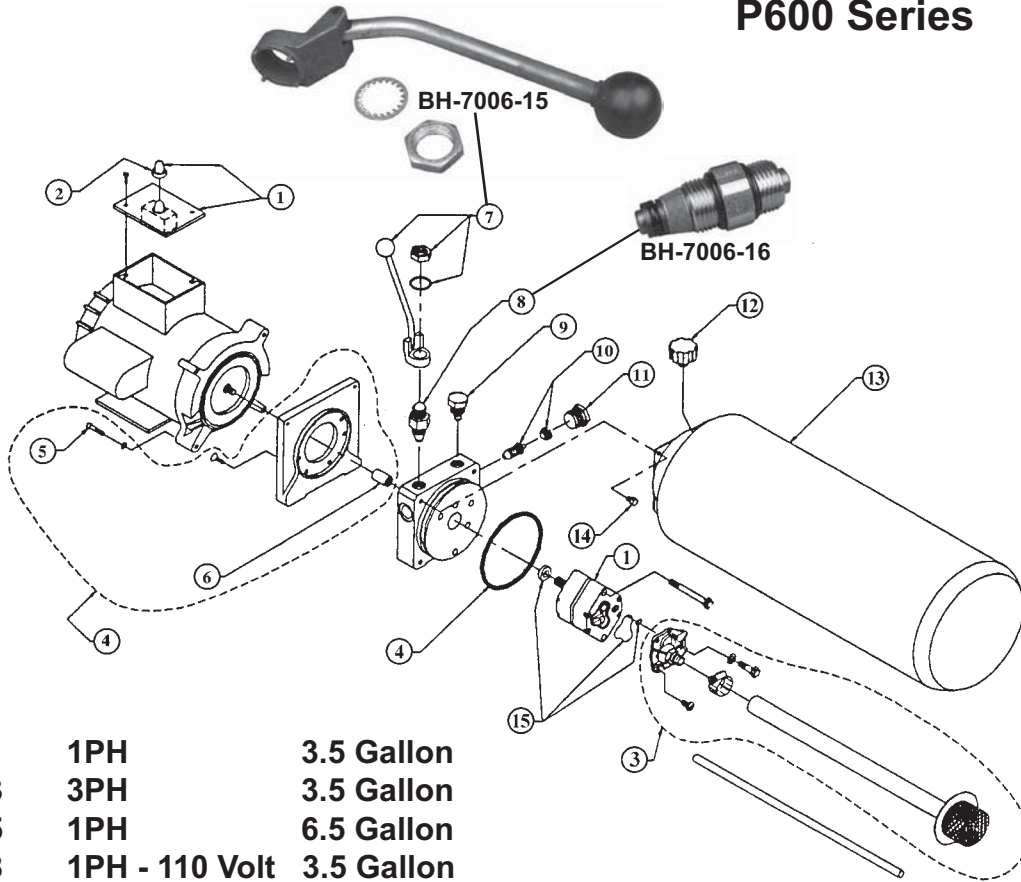
Item	SVI Part #	Description	OEM #	Req
1	BH-7007-35	Microswitch Wiring Assy.	W-29	1
2	BH-7002-12	Microswitch Boot	1277-AA	1
3	BH-7004-30	Breather, Pop-on	8060-CC	1
4	Must Provide AB# to order correct Reservoir			
	BH-7006-40	Reservoir 3.5 Gal Plastic		1
	BH-7006-40K	or Reservoir Kit 3.5 Gal		
5	BH-7007-44	Reservoir Screw	3346-AA	4
6	BH-7004-18	Coupling 1-1/4"	1118-AA	1
7	BH-7006-15	Manual Release Assy.	K-100	1
8	BH-7006-16	Manual Release Valve	VF-9021	1

Item	SVI Part #	Description	OEM #	Req
9	BH-7006-17	Check Valve Cartridge	2507-AA	1
10		Fixed Relief Valve		1
		Please Provide AB# to order correct Valve		
11	BH-7007-39	Relief Valve Cap	3729-AA	1
	BH-7006-19	Relief Valve Cap	1600-BA	1
12	OB-70-348	Reservoir O-Ring	G1-1073-48	1
13	BH-7006-21	Pump Assembly (KP25)	PS-2.5	1
14	BH-7006-25	Pump O-Ring Kit	K-40	1
15	BH-7007-40	Inlet Plumbing Kit	K-168	1



Parts for Fenner/SPX Fluid Power Units

Equal to Rotary P600 Series



- BH-7006-01** **1PH** **3.5 Gallon**
- BH-7006-03** **3PH** **3.5 Gallon**
- BH-7006-05** **1PH** **6.5 Gallon**
- BH-7006-08** **1PH - 110 Volt** **3.5 Gallon**
- BH-7006-01LS** **1PH** **3.5 Gallon**
(Has limit switch for overhead shut off)

Item	SVI Part #	Description	OEM #	Req
1	BH-7006-21	Pump Assembly (BH-7006)	PS-2.5	1
2	BH-7002-12	Microswitch Boot	1277-AA	1
3	BH-7006-23	Inlet Plumbing Kit (BH-7006)	K-102	1
4	OB-70-348	Reservoir O-Ring	G1-1073-48	1
5	F-SC-0250-20-1625	1/4-20 x 1-5/8 SHCS		4
6	BH-7006-14	Coupling 1-3/4"	2181-BA	1
7	BH-7006-15	Manual Release Assy.	K-100	1
8	BH-7006-16	Manual Release Valve	VF-9021	1
9	BH-7006-17	Valve Cartridge Check	2507-AA	1

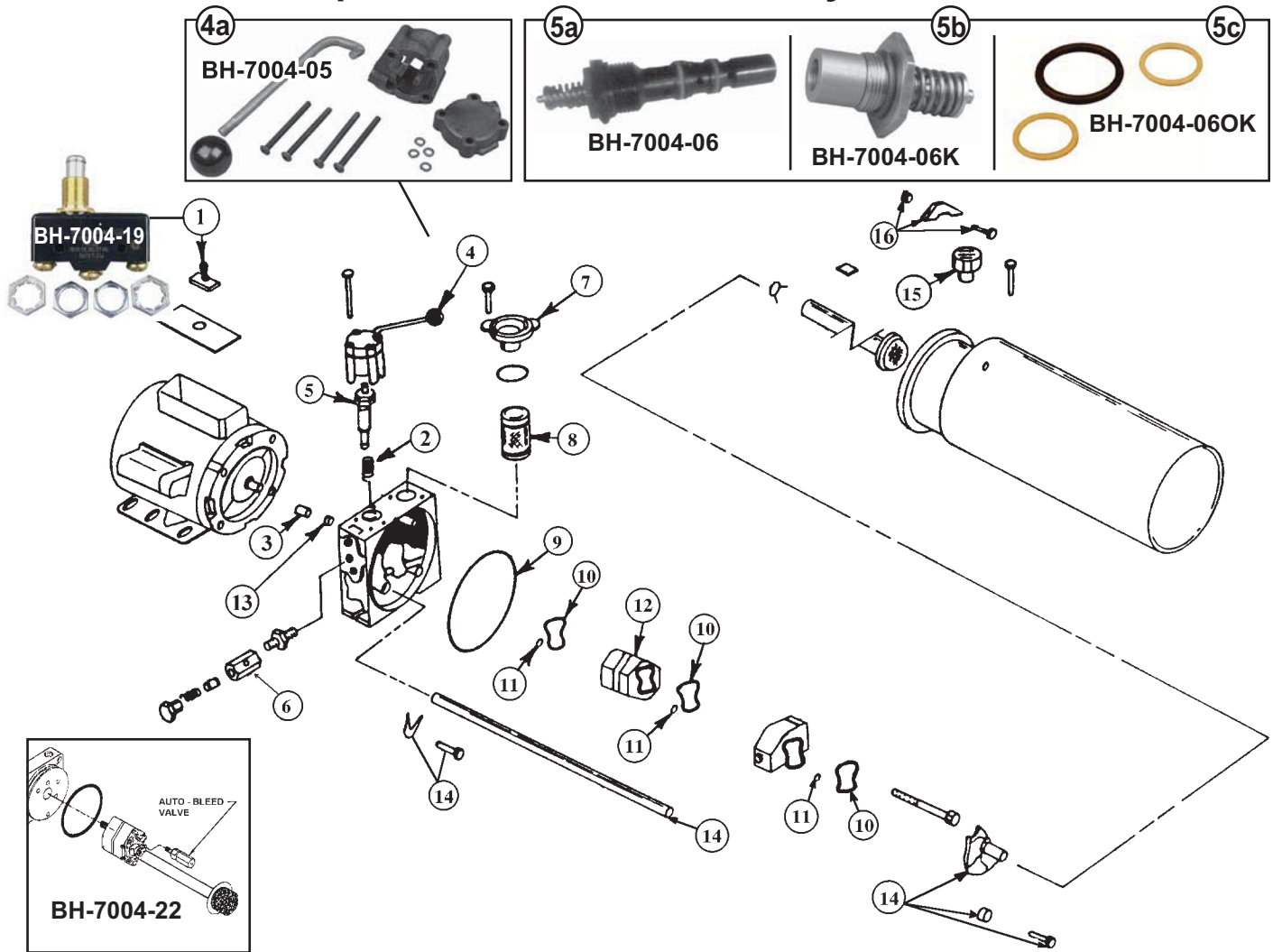
Item	SVI Part #	Description	OEM #	Req
10	BH-7006-18	Fixed Relief Valve	RV-16	1
11	BH-7006-19	Relief Valve Cap	1600-BA	1
12	BH-7006-27	Breather	1683-AB	1
13	Must Provide AB# to order correct Reservoir			
	BH-7006-28R	Reservoir 3.5 Gal Steel	KR-44	1
	BH-7006-40K	Reservoir 3.5 Gal Plastic Kit	KR-54	1
14	BH-7006-29	Reservoir Screw	F2-1170-31	4
15	BH-7006-25	Pump O-Ring Kit	K-40	1



Parts for Fenner/SPX Fluid Power Units

For use on Rotary P502 Power Units.

Some parts also for use on Rotary P500 Units.



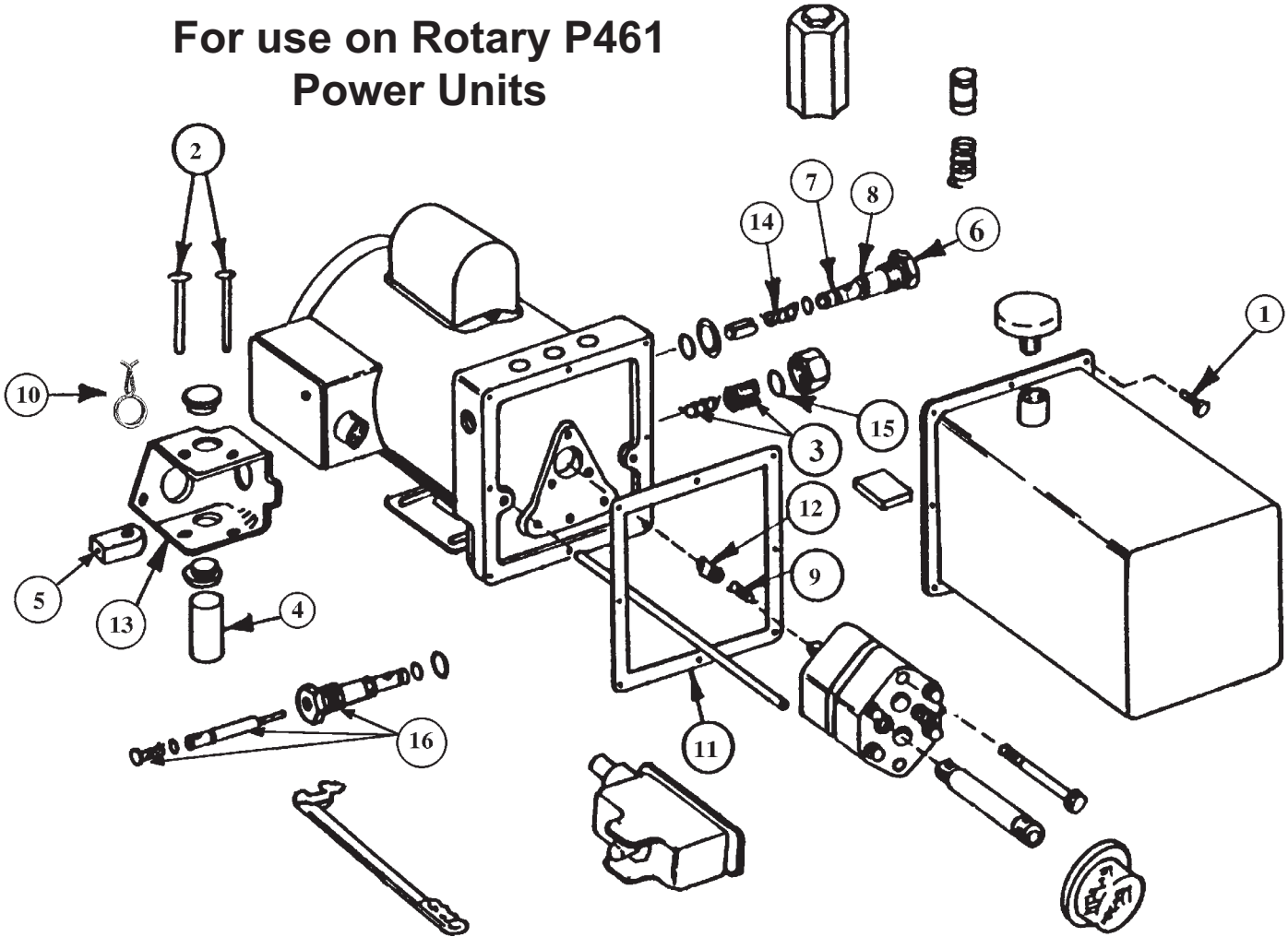
Item	SVI Part #	Description	OEM #	Req
1	BH-7004-19	Switch	1258-AA	1
	BH-7002-12	Microswitch Boot	1277-AA	1
2	BH-7006-18	Fixed Relief Valve	RV-16	1
3	BH-7004-18	Coupling 1-1/4"	1118-AA	1
4 a	BH-7004-05	Lower Handle/Cover Kit	A-01	1
	b BH-7004-05B	Plastic Body Only	1144-CC	1
	c BH-7004-05C	Plastic Cap Only	1145-CC	1
5 a	BH-7004-06	Lowering Valve Assy.	V-12	1
	b BH-7004-06K	Valve Stem Repair Kit	KV-12	opt.
	c BH-7004-06OK	O-Ring Kit for Valve Above		
6	BH-7004-07	Relief Valve w/spring	RV-12	1

Item	SVI Part #	Description	OEM #	Req
7	BH-7004-08	Breather Cap 3/8 thread	1142-BB	1
8	BH-7004-09	Filter Element (NLA)	1160-BB	1
9	BH-7004-10	Reservoir Gasket	1140-BA	1
10	OB-70-132	Large Pump O'ring	PC-31-6	3
10/11	BH-7006-25	Pump O'ring Kit	K-40	1
11	OB-70-110	Small Pump O'ring	PL-31-8	3
12	BH-7006-21	Pump	P2.5D	1
13	BH-7004-17	Shaft Seal	1094-AA	1
14	BH-7004-13	Vertical Suction Tube Kit	K-09	1
15	BH-7004-14	Filler Breather 3/8" thread	1214-AA	1
16	BH-7004-16	Reservoir Hanger Assy.	1138-CA	3
--	BH-7004-22	Auto Bleed Valve	K-156	



Parts for Fenner/SPX Fluid Power Units

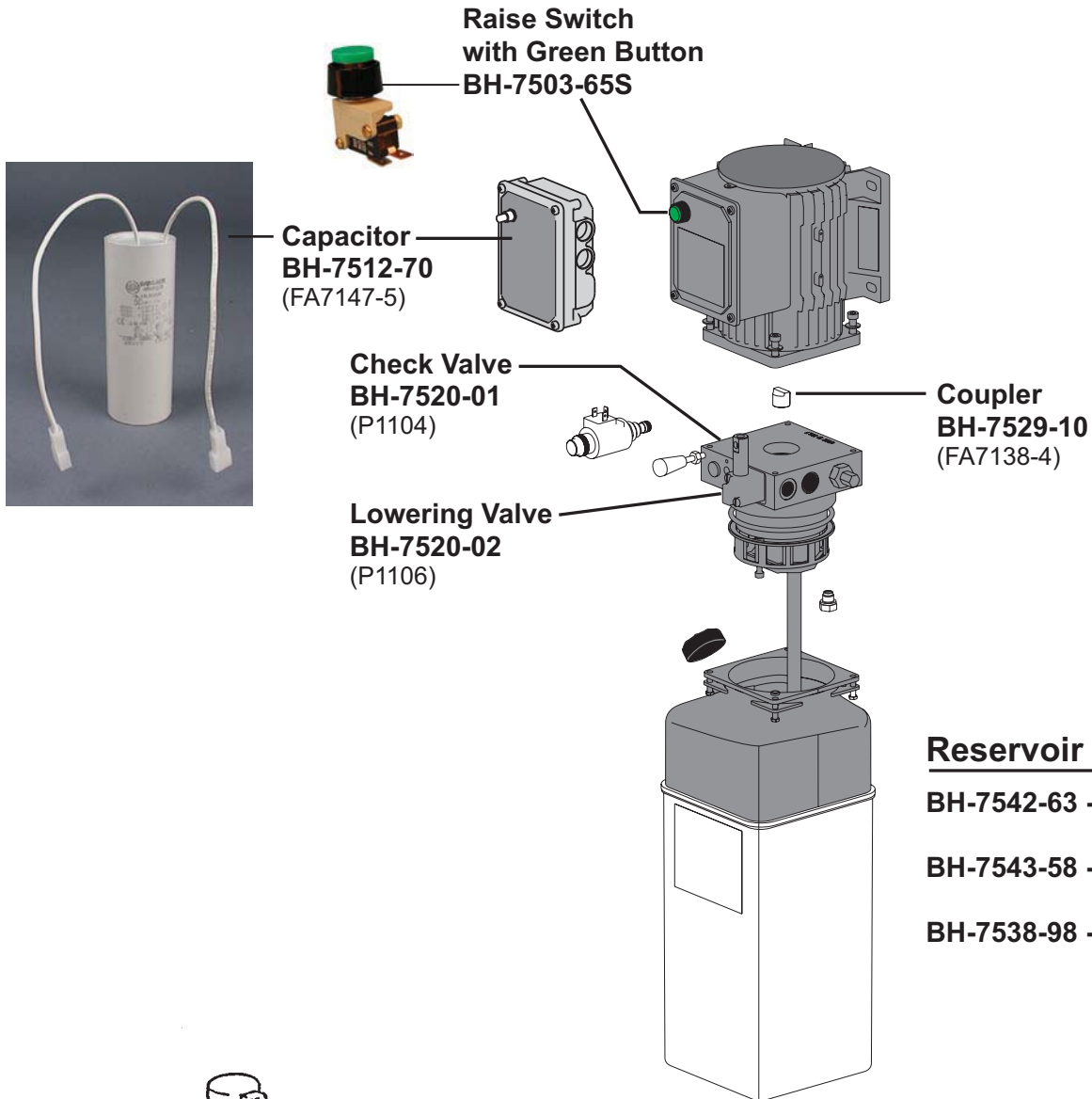
For use on Rotary P461
Power Units



Item	SVI Part #	Description	OEM #	Req
1	F-HC-0125-24-0375	Hex Head Cap Screw	F1-1010-37	8
2	BH-7005-02	Headed Pin	F6-0181-87	2
3	BH-7005-18	Relief Valve Assembly includes:	RV-2 W5-1020-95	1
4	BH-7005-04	Cam Shaft Assembly	S9-5000-14	1
5	BH-7005-05	Relief Valve Cam Assy.	S9-5001-11	1
6	BH-7005-17	Check Cap Assembly	2286-AA	1
7	OB-90-013	O'ring	G1-1010-12	1
8	OB-90-015	O'ring	G1-1010-14	1
9	BH-7005-09	Spring	C1-1033-00	1

Item	SVI Part #	Description	OEM #	Req
10	BH-7005-10B	Torsion Spring (single) (other styles no longer available)	11072	1
11	BH-7005-11	Reservoir Gasket	G3-3002-00	1
12	BH-7005-12	Coupling	J3-1001-14	1
13	BH-7005-13	Act. Mfg. Bracket Assy.	S9-6000-03	1
14	BH-7005-14	Check Valve Spring Assy.	S1-1009-00	1
15	BH-7005-15	Seal Ring	W6-1006-00	1
16	BH-7005-16	Release Cap & Stem Assy. includes:	2155-AA S3-1000-01, S4-1000-00	1

Parts for Global Hydraulics Power Unit



Reservoir Kits:

BH-7542-63 - 10-Liter Kit

BH-7543-58 - 14-Liter Kit

BH-7538-98 - 18-Liter Kit

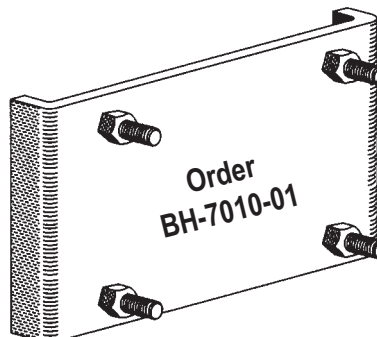
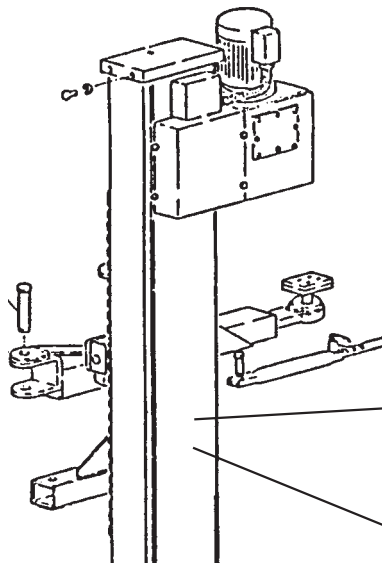
Miscellaneous Items

Power Unit Relocation Bracket - BH-7010-01

Use to replace old top of column mount power unit with new style Power Unit.

For 56 Frame Power Units such as SVI unit BH-7006-01.

May require hose or tubing extensions. Consult local hydraulic house or call SVI for help.

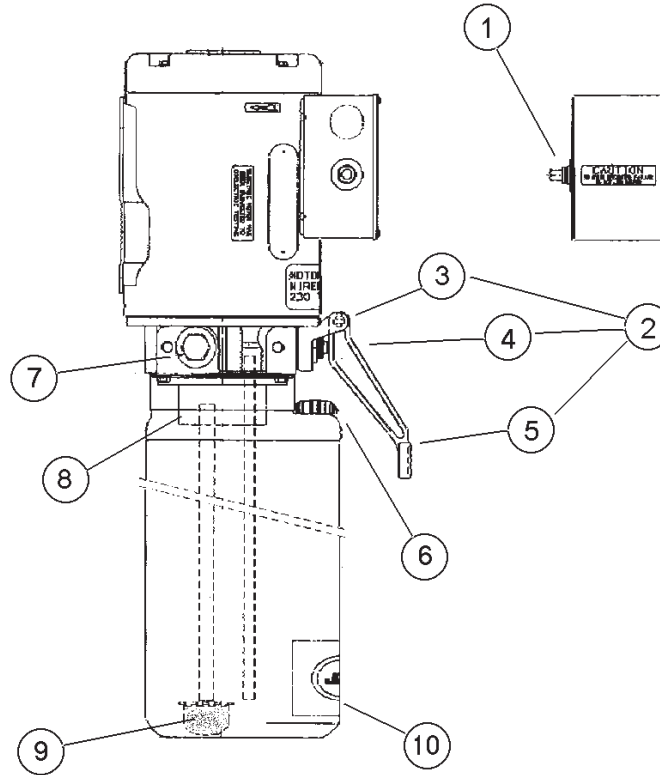


Supplied unfinished for ease of welding. You will need to grind paint or powder coat finish off column to install. Once welded refinish area with a close matching paint.

BH-7011-10 Vibration Gasket

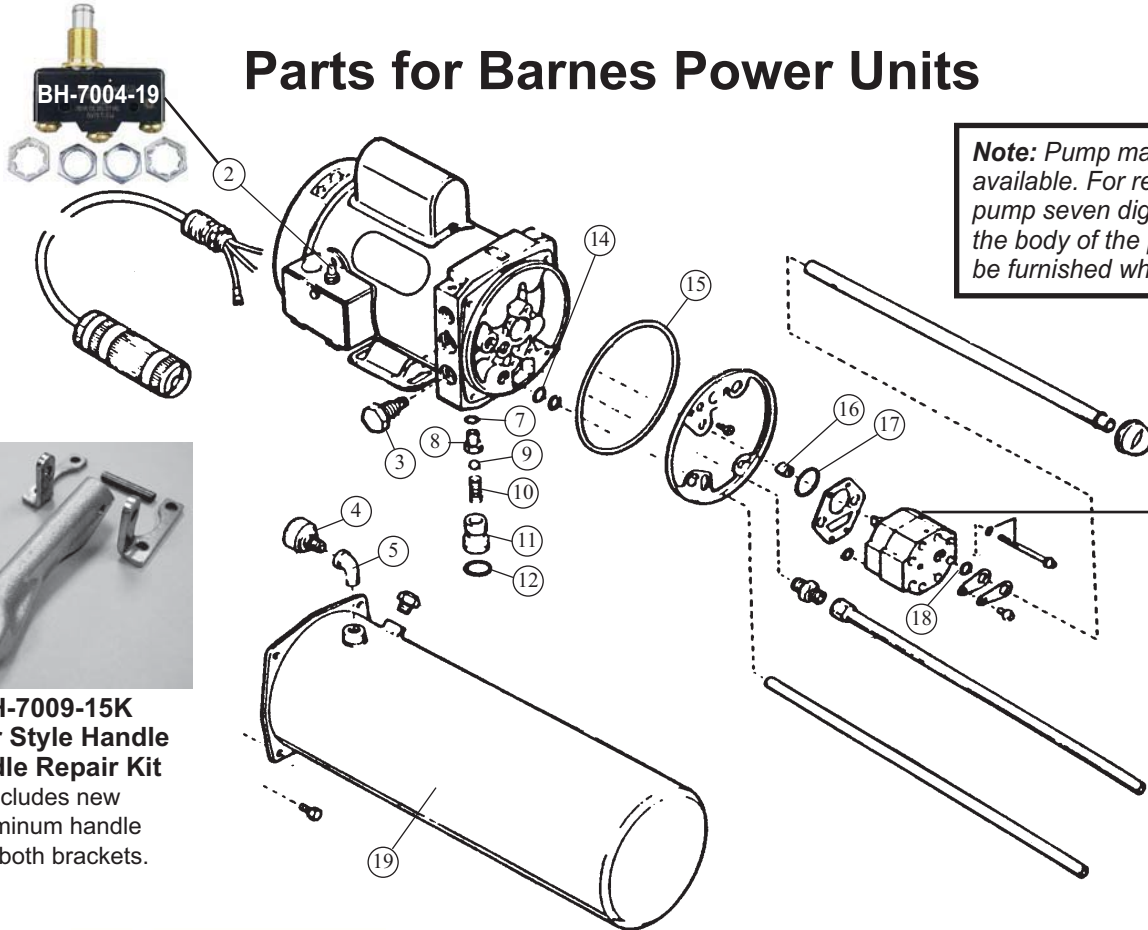


Parts for Barnes Power Units



Item	SVI Part #	Description	OEM #	Req
1		Order 1 ea. BH-7004-12 and BH-7002-12		1 1
2	BH-7009-71	Lowering Valve Kit	2180814	1
3	BH-7009-76	Handle Bracket	2240125	1
4	BH-7009-74	Lowering Valve	2180810	1
5	BH-7009-75	Handle	2180907	1
6	BH-7009-77	Filler Breather Cap	2500037	1
7	BH-7009-69	Check Valve Kit	2210866	1
7	BH-7009-70	Relief Valve Kit	2180003	1
8	BH-7009-66	Pump Assembly	1300171	1
9	BH-7009-73	Suction Strainer	2430011	1
10	BH-7009-72	Reservoir Kit	2281116	1

Parts for Barnes Power Units



Note: Pump may be available. For replacement pump seven digit number on the body of the pump must be furnished when ordering.



BH-7009-15K
Lever Style Handle
Handle Repair Kit

Includes new aluminum handle and both brackets.

⑥

BH-7009-60
Old Style Valve

BH-7009-09



⑬ **BH-7009-20**
Filter



Item	SVI Part #	Description	OEM #	Req
1	BH-7009-15K	Handle Kit	2530027	1
	BH-7009-15	Handle	2530027	1
	BH-7009-10	Left Bracket	2440098	1
	BH-7009-11	Right Bracket	2440099	1
	F-RP-187-1125	Roll Pin		1
--	F-NL-0010-32	Nut Stop	2140061	1
2	BH-7004-19	Push Button Switch	2381089	1
	BH-7002-12	Push Button Boot	2380268	1
3	BH-7009-05	Check Valve	2180060	1
4	BH-7009-06	Breather	2500006	1
5	BH-7009-07	45° Elbow	2270022	1

Item	SVI Part #	Description	OEM #	Req
6	BH-7009-09	Release Valve	2180062	1
	BH-7009-60	Release Valve (Old Style)		1
7-12	BH-7009-29	Relief Valve Kit	2300195	1
		Includes: Hex Cap, Gasket, Spring, Ball, Valve Seat, O-Ring		
13	BH-7009-20	Filter		
14	OB-70-110	O-Ring	2120038	6
15	BH-7009-32	O-Ring	2120058	1
16	BH-7009-35	Coupling	2390005	1
17	OB-70-014	O-Ring	2120026	1
18	BH-7009-41	O-Ring	2120040	1
19	BH-7009-55	Reservoir	22,80762	1



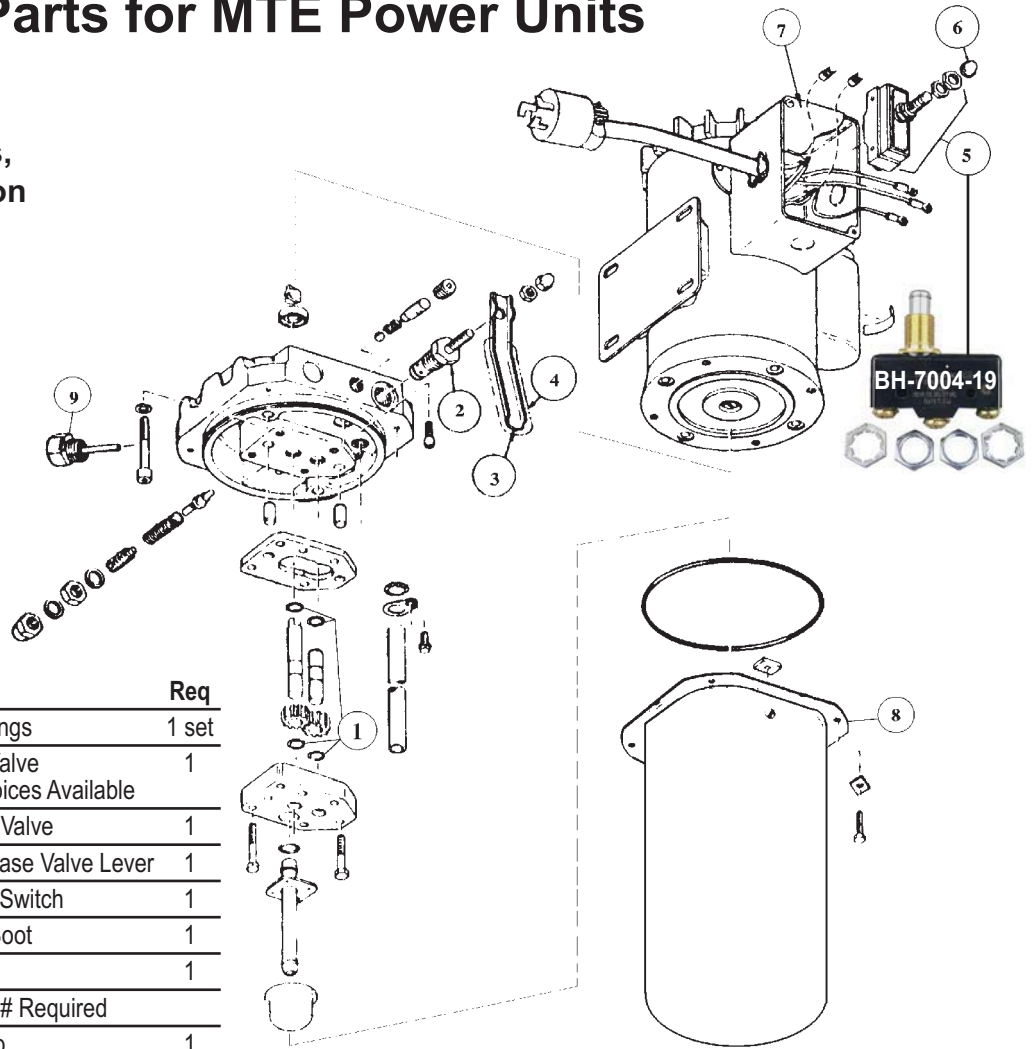
Parts for MTE Power Units

When ordering MTE parts, provide the "S-Number" on or by the pump.

Example:

S-202T####

S-203T####



Item	SVI Part #	Description	Req
1	BH-7000-20	Shaft Seal Kit O-rings	1 set
2	BH-7000-11	Manual Release Valve Several Other Choices Available	1
3	BH-7000-12	Lever for Release Valve	1
4	BH-7000-13	Vinyl Grip for Release Valve Lever	1
5	BH-7004-19	Push Button Start Switch	1
6	BH-7002-12	Switch Protector Boot	1
7	BH-7000-16	Switch Cover Box	1
8		Reservoir - Model # Required	
9	BH-7000-18	Filler/Breather Cap	1



BH-7236-19 Valve

(38500237)

All NEW MTE Power Units Including

- 4751 • 4749 • 4757
- 4752 • 4750 • 4758
- 4753 • 4761 • 4759
- 4754 • 4755 • 4818
- 4756



BH-7000-11 Valve

(38500097)

As Pictured



BH-7000-32 Valve

(27002092)

S202T-4343

2/4 - Post Lifts

1/96 thru 11/96



BH-7000-31 Valve

(27002113)

(27002100)

S202T-4450

S202T-4620

S201T-4443

2/4 - Post Lifts

11/96 thru 2000

LR-60

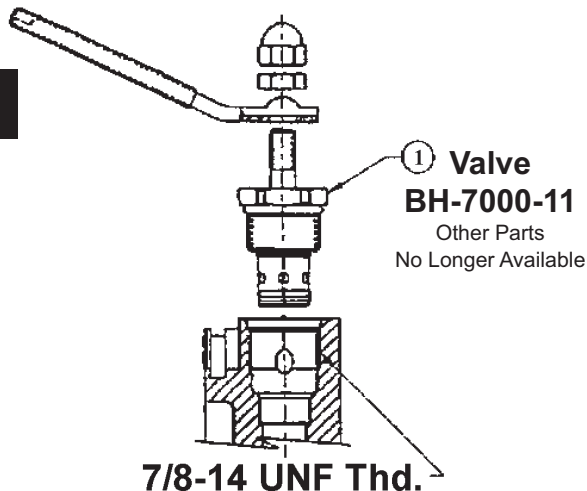
MTE Valves

2-Way, Normally Closed Manually Operated Lower Valves

7/8-14 UNF Threaded Valves
(Valve Designs #1 & #2 CAN be interchanged)

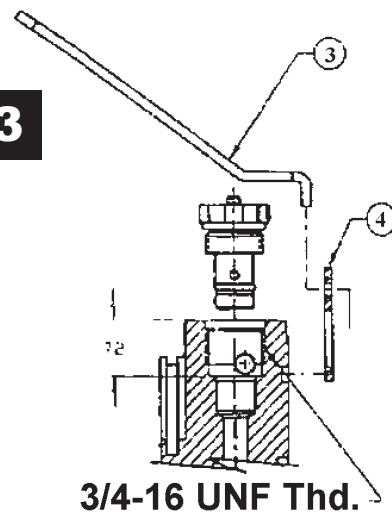
3/4-16 UNF Threaded Valves
(Valve Designs #3 & #4 CANNOT be interchanged)

1



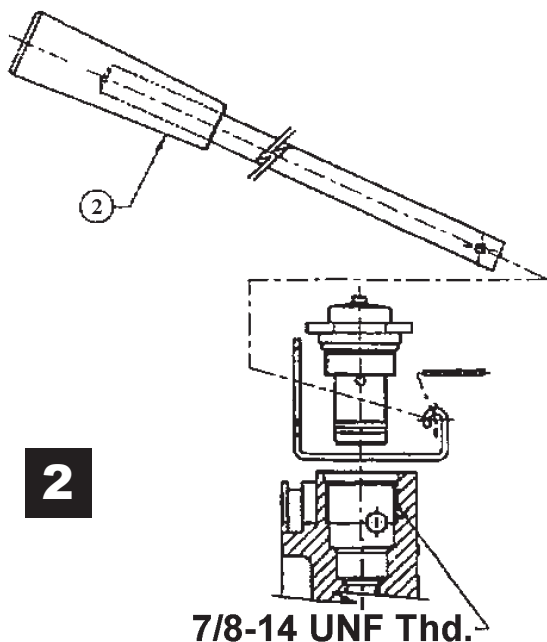
Item	SVI Part #	Description	OEM #
1	BH-7000-11	Valve Assembly	38500097

3



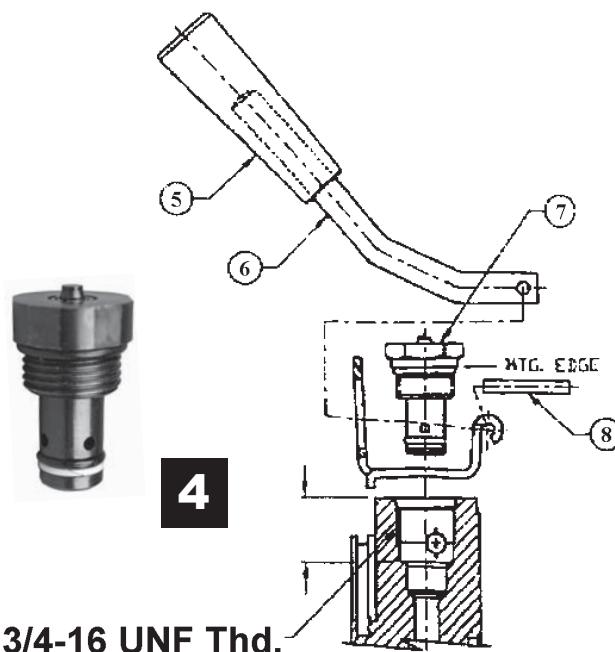
Item	SVI Part #	Description	OEM #
3	BH-7000-34	Handle	36601017
4	BH-7000-35	Retainer	35802075

2



Item	SVI Part #	Description	OEM #
2	BH-7000-29	Handle Grip	36701007

4

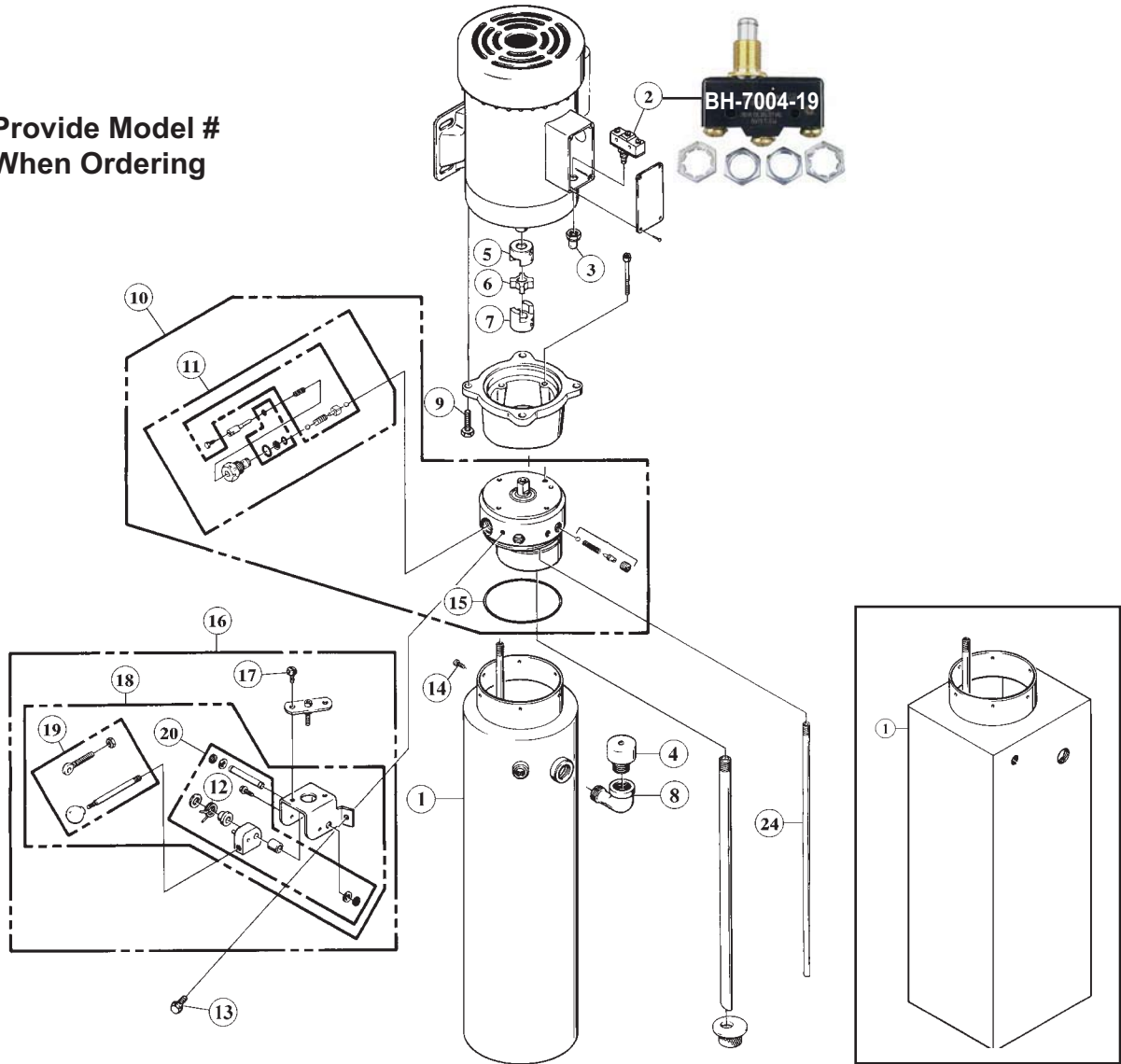


Item	SVI Part #	Description	OEM #
5	BH-7000-29	Handle Grip	36701007
6	BH-7000-28	Handle	33701163
7	BH-7000-31	Valve Assembly	27002113
8	BH-7000-27	Pin	33801019



Parts for Monarch Power Units

Provide Model #
When Ordering

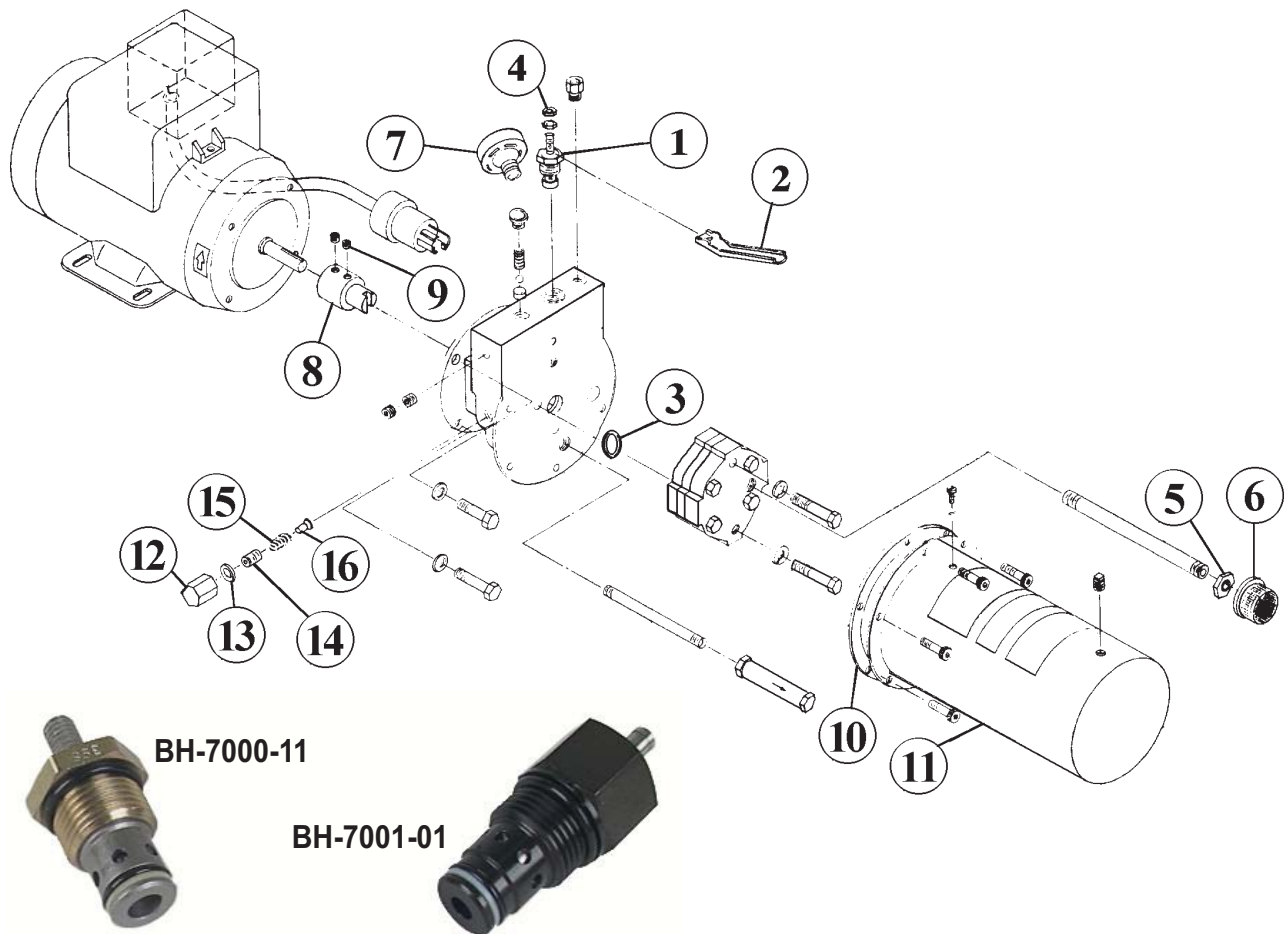


Item	SVI Part #	Description	OEM #	Req
1	BH-7002-38	Reservoir 6" x 21" 2.6 Gal.	6338	1
	BH-7002-46	Reservoir - Rectangular	06984	Opt.
2	BH-7004-19	25 Amp Limit Switch	03529	1
3	BH-7002-12	Rubber Pushbutton Boot	03230	1
4	BH-7002-39	Vent Plug	01143	1
5	BH-7002-16	Coupling 5/8" Bore	01139	1
6	BH-7002-17	Spider Coupling	01603	1
7	BH-7002-18	Coupling 5/8" Bore	01189	1
8	BH-7002-40	3/4" NPT Street Elbow	01283	1
9	F-HC-0375-16-0750	Hex Head Cap Screw	07817	4
10	BH-7002-21	Pump Assembly	02766	1

Item	SVI Part #	Description	OEM #	Req
11	BH-7002-22	Lowering Valve Parts Kit	03680	1
12	BH-7002-35	Torsion Spring	00071	1
13	F-HW-0312-18-0625	Hex Washer Head Screw	07889	4
14	F-MS-0010-24-0375	Machine Screw	07703	6
15	BH-7002-26	Pump O-ring	02352	1
16	BH-7002-27	Bracket Assy. Complete	03718	1
17	F-HW-0250-20-0500	Hex Washer Head Screw	07886	2
18	BH-7002-29	Bracket Assy. Parts Kit	03717	1
19	BH-7002-30	Handle Assy. Parts Kit	03647	1
20	BH-7002-34	Switch Assy. Parts Kit	0366	1

P
a
g
e

Parts for Webster Power Units



Item	SVI Part #	Description	OEM #	Req
1	BH-7001-01	Lowering Valve (E-Clip) (Smooth Stems, No Threads)	86957	1
1	BH-7000-11	Lowering Valve (MTE Style)	See MTE	1
2	BH-7001-05	Handle Lever Grip	86282-3	1
3	OB-70-012	O-ring	29771-012	1
4	BH-7001-04	Retaining Ring	29642-25	1
5	BH-7001-13	Pal Nut	86373	1
6	BH-7001-14	Strainer	86110	1
7	BH-7001-17	Filler/Breather	80083P	1

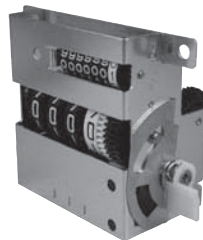
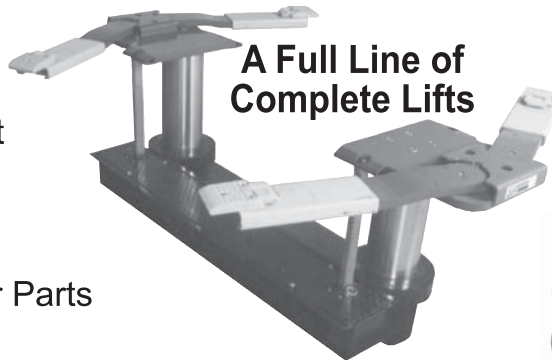
Item	SVI Part #	Description	OEM #	Req
8	BH-7001-18	Coupling	90883	1
9	BH-7001-19	Set Screw	29540-5	2
10	BH-7001-20	Gasket	80086-13	1
11	BH-7001-21	3 Gallon Reservoir Tank Must Provide Model # When Ordering	80055-21A	1
12	BH-7001-24	Relief Valve Cap	151-23413	1
13	BH-7001-25	Relief Valve Gasket	171-86598	1
14	BH-7001-26	Relief Valve Adj. Screw	151-25395	1
15	BH-7001-27	Relief Valve Spring	151-23575	1
16	BH-7001-28	Relief Valve Poppet	151-25002	1

**TERMS AND CONDITIONS OF THE
SALES ORDER
FOR SVI INTERNATIONAL, INC.**

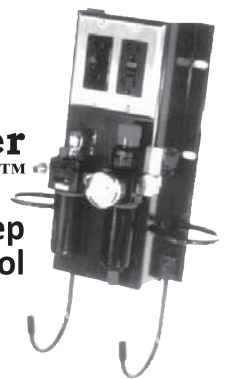
1. **GENERAL.** The terms and conditions of sales order outlined herein shall apply to the sale by SVI INTERNATIONAL, INC. (hereinafter referred to as "Company") of the items described on the facing page (hereinafter referred to as "Merchandise") to Purchaser.
2. **DELIVERY.** Delivery shall be deemed to be complete when the Merchandise has been shipped F.O.B. Company's plants in DeKalb, Illinois, Duarte, California; and Baltimore, Maryland ("Company's plants"). Shipments are subject to delays from causes or contingencies beyond the reasonable control of the Company. When otherwise not specified, shipments will be made in standard containers via carrier which, in the judgment of the Company, will result in the most practical method. Title and right of possession will pass to the Purchaser upon receipt by the carrier at the shipping point. If a customer of the Company should specify a specific carrier's method of shipment (i.e. UPS Next Day Air) and that carrier does not perform to the customer's expectations, freight credit to a customer's account will not be issued unless the Company can first obtain a credit.
3. **RISK OF LOSS.** Identification of the Merchandise under Uniform Commercial Code (hereinafter referred to as "UCC") Section 2-501 shall take place at the moment of shipment F.O.B. Company's plants. Risk of loss shall pass to the Purchaser when the Merchandise is shipped from the Company's plants.
4. **TITLE.** Title to the merchandise shall transfer to the Purchaser when the Merchandise is shipped from the Company's plants.
5. **WARRANTIES.** The Company guarantees its products to be free from defects in workmanship and raw materials for a period of one year from date of purchase. THIS WARRANTY IS EXPRESSLY IN LIEU OF ANY AND ALL WARRANTIES EXPRESS OR IMPLIED. COMPANY DOES NOT WARRANT THE MERCHANDISE IS MERCHANTABLE OR FIT FOR ANY PARTICULAR PURPOSE. Company's liability for breach of the terms of this Agreement, including any warranty, is limited to either refund of the invoice price of the Merchandise or at Company's option, replacement of the Merchandise free of charge, including transportation charges but not including the cost of labor. Purchaser has not relied on any statement or upon the conduct of Company with respect to the prospective use of the merchandise. Company shall not be liable for and Purchaser waives any and all claims for any loss or damage, directly or indirectly, arising from the use of the Merchandise and for punitive, incidental or consequential damages, including, but not limited to, damages to property, for loss of use, loss of time, loss of profit or loss of income. The Company does not authorize the sale of our products under any other warranty, expressed or implied.
6. **SETOFF.** All claims for money due or to become due from the Company shall be subject to deduction by the Company for any setoff or counterclaim arising out of this or any other claims of the Company or its affiliated companies, whether such setoff or counterclaim arose before or after any assignment by Purchaser.
7. **INDEMNIFICATION.** Purchaser agrees to indemnify the Company and hold it harmless from and against all claims, liability, loss, damage or expense, including reasonable counsel fees, arising from or by reason of any modifications or alterations made by Purchaser. If a customer of the Company modifies or alters any part, in any manner whatsoever, or uses any part in departure from recommended performance specifications, said customer agrees to indemnify and hold the Company harmless from and against all liability and expenses based on damage to property or injury to or death of any person arising out of or attributable to such modified or altered part. Further, the Company will not accept any such modified or altered part for credit to a customer's account.
8. **FREIGHT POLICY.** Freight charges on individual orders less than \$3,000 in net value are prepaid and added to invoice or collect F.O.B. shipping point. Freight charges (standard ground service and continental US only) on individual orders more than \$3,000 net value are paid by the Company F.O.B. shipping point. Note: customers with C.O.D. terms are responsible for all carrier C.O.D. fees regardless of order net value.
9. **RETURN POLICY.** To return parts for credit or inspection Purchaser must first contact the Company to obtain a Return Goods Authorization number (RGA#). Once Purchaser has obtained an RGA# the parts can be returned freight prepaid only. The RGA# must be on the outside of the container in a highly visible location. All parts must be returned freight prepaid and the shipment must include a letter of explanation giving the specific reason for return including details as to the conditions under which the part or parts operated. Note: parts returned without an RGA#, freight collect or without written explanation may be refused. Parts which have been used in any way or manner, including any installation or incorporation into a lift or hoist, shall NOT be eligible for return whether or not an RGA has been assigned.
10. **RESTOCK CHARGE.** Returns are subject to up to twenty-five (25%) restocking charge. Refusals are subject to the same restocking charge plus the cost of outbound and return freight charges and/or fees incurred by the Company due to shipment refusal.
11. **PRICES AND PAYMENTS.** All prices are subject to change without notice. All prices are F.O.B. shipping point. The Company standard terms are net 30 days, C.O.D. company check, C.O.D. cash, VISA, MasterCard, Discover or American Express. However, if in the judgment of the Company, the financial condition of the Purchaser at any time does not justify shipment according to standard terms of payment, the Company may require full or partial payment in advance.
12. **INTERPRETATION.** This sales order is intended by the parties as a complete and exclusive statement of the terms of their agreement. It supersedes all prior agreements, written or oral. No course of prior dealings between the parties and no usage of the trade shall be relevant to supplement or explain any terms used in this sales order. Acceptance or acquiescence in a course of performance rendered under this purchase order shall not be relevant to determine the meaning of this sales order even though the accepting or acquiescing party has knowledge of the nature of the performance and opportunity for objection. Whenever a term defined by the UCC is used in this sales order the definition contained in the UCC shall control.
13. **MODIFICATION.** This sales order can be modified or rescinded only by a writing signed by both parties.
14. **WAIVER.** No claim or right arising out of a breach of this sales order can be discharged in whole or in part by a waiver or renunciation of the claim or right unless such waiver or renunciation is supported by consideration and is in writing signed by the aggrieved party.
15. **ASSIGNMENT.** No right or interest in this sales order shall be assigned by either party without the written consent of the other and no delegation of any obligation owed, or of the performance of any obligation by either the Company or Purchaser shall be made without the written consent of the other party. Any attempted assignment or delegation not made in conformity with this paragraph shall be wholly void and totally ineffective for all purposes.
16. **TIME TO PERFORM AND BRING ACTION.** Time is of the essence of this sales order. Any action for breach of this sales order shall be commenced within two (2) years after the cause of action has accrued. Any party who loses any litigation shall reimburse the other party for costs including reasonable attorneys fees. The exclusive jurisdiction for any legal action shall be the Circuit Court of DeKalb County, Illinois.
17. **APPLICABLE LAW.** This sales order shall be governed by the UCC of Illinois as effective and in force on the date of this sales order.

SVI Offers the Best in Automotive Lift Repair Parts *and Much More!*

- Auto Lift Cables
- Auto Lift Equipment
- Auto Lift Parts
- Brake Lathe Repair Parts
- Compressed Air Repair Parts
- Cylinder Assemblies
- Exhaust System Products
- Fluid Delivery Repair Parts
- Hydraulic and Pipe Fittings
- Lubrication Equipment Repair Parts
- Repair Parts for Gasboy Consumer Series
- Seal Kits for Many Applications
- Service Station Pump and Tank Products
- SVI Misc Auto Lift Products
- Tire Changer Repair Parts
- Vehicle Lifting Systems
- Wheel Balancer Accessories
- Wheel Weights and Tire Repair Parts



The Power Station™
A Powerful Step Saving Tool



Serving the Industry Since 1977 • Same-Day Shipping

Toll Free: 800-321-8173 • Fax: 800-899-1784
www.sviinternational.com

Offering the Best in Automotive Lift Repair Parts and More!

Auto Lift Cables • Auto Lift Parts • Brake Lathe Repair Parts

Compressed Air Repair Parts • Exhaust System Products • Fluid Delivery Repair Parts

Lubrication Equipment Repair Parts • Repair Parts for Gasboy Consumer Series

Service Station Pump and Tank Products • SVI Misc Auto Lift Products and Catalogs

Tire Changer Repair Parts • Vehicle Lifting Systems • Wheel Balancer Accessories

Serving the Industry Since 1977 • Same-Day Shipping



SVI International, Inc.

(800) 321-8173 • fax: (800) 899-1784

155 Harvestore Drive • DeKalb, IL 60115

www.sviinternational.com

BALTIMORE • CHICAGO • LOS ANGELES

While the utmost care has been used in compiling this reference material, we assume no responsibility for errors. Specifications are subject to change without notice. This edition supersedes all previous editions or issues. SVI reference material is subject to change without notice. All rights reserved.