

Automotive Lift

R E P A I R P A R T S



SVI International, Inc.
(800) 321-8173 • fax: (800) 899-1784
155 Harvestore Drive • DeKalb, IL 60115
www.sviinternational.com

BALTIMORE • CHICAGO • LOS ANGELES

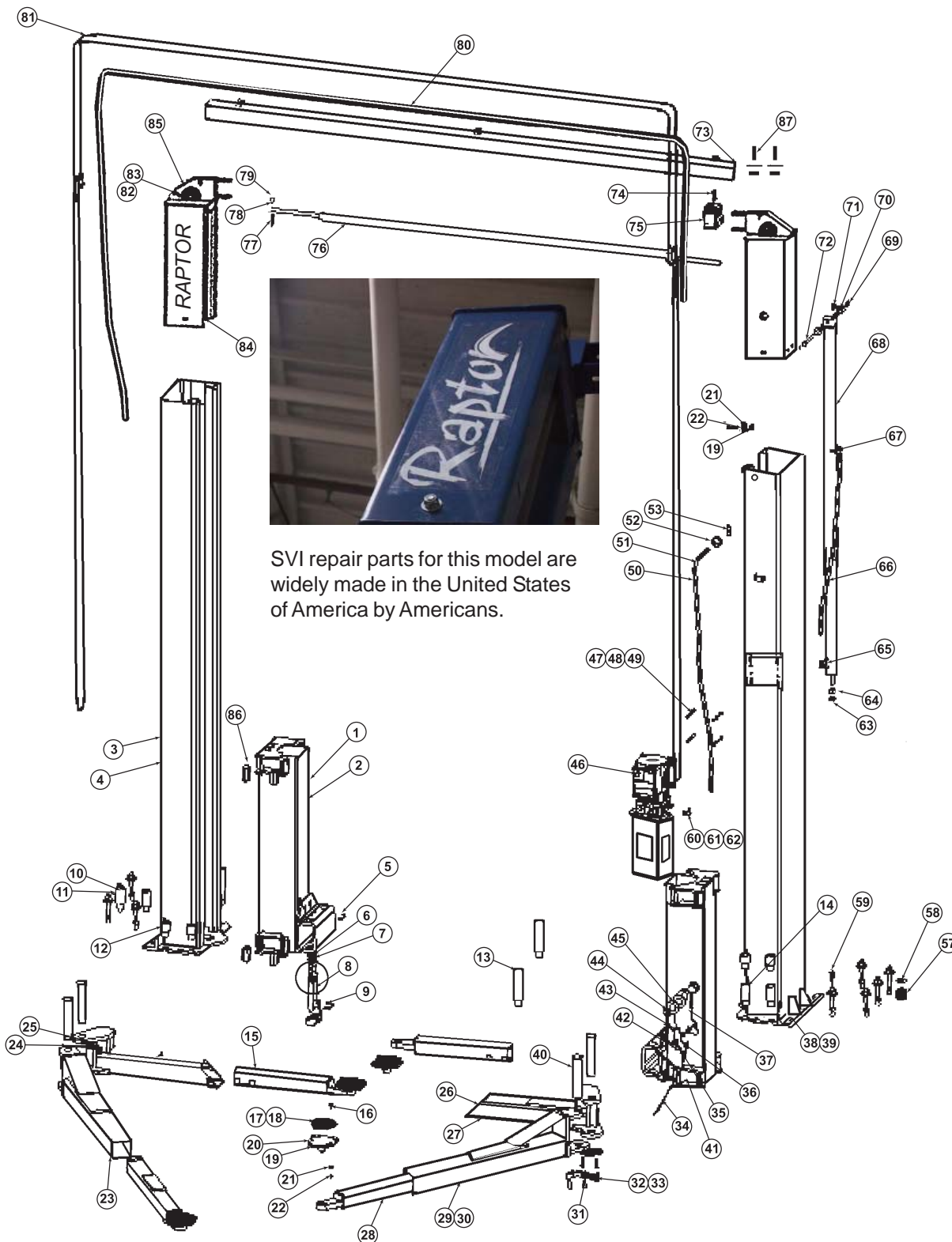
Repair Parts for: **Forward**

Repair Parts for:
Forward

LRC7235

for lift model Raptor

HANMECSON
made in CHINA



SVI repair parts for this model are widely made in the United States of America by Americans.

for lift model Raptor

Item	SVI part #	OEM #	Req	Description
1	call for price	RR31000	2	Carriage Assembly
2	call for price	RR31001	2	Carriage Weldment
3	call for price	RR41001	1	Offside Leg Weldment
4	call for price	RR41000	1	Offside Leg Assembly
5	BH-7239-107	41411	10	3/4" Klip-Ring
6	BH-7239-79	RR21013	4	Arm Restraint Spring
7	BH-7239-78S	RR21009	4	Arm Restraint Pin Spacer
8	BH-7239-78	RR21012	4	Actuator Pin
9	F-RP-250-1500	14425	4	1/4" Roll Pin x 1-1/2
10	BH-7089-99A	RR11002	1	5" Nesting Pad Extension
11	BH-7239-120	RR11007	1	Nesting Pad Extension Kit
12	BH-7235-72	RR21018	4	1-1/2" Pad Extension
13	BH-7089-99B	RR21016	4	6" Pad Extension
14	BH-7235-71	RR21017	4	3" Pad Extension
15	BH-7239-48	RR21007	2	Front Inner Arm
16	F-EB-0250-20-1250	40096	8	1/4-20 x 1-1/4" Elevator Bolt
17	BH-7235-90	994105	1	Rubber Pad Kit - standard duty
	BH-7235-90K		1	Rubber Pad Kit - heavy duty
18	BH-7235-90A	991234	4	Rubber Pad - standard duty
	BH-7235-90AX		4	Rubber Pad - heavy duty
19	BH-7089-97A	RR21008	4	Adapter Base Only
20	BH-7089-97	RR11006	1	Adapter Base and Pad
21	F-FW-0250-USS	40782	8	1/4" Flat Washer
22	F-NL-0250-20	40642	8	1/4-20 Nylock Nut
23	call for price	RR21019	4	Inner Arm Stop Screw
24	BH-7239-82A	RR21003	1	Outer Rear Swing Arm
25	BH-7239-82	RR21002	1	Rear Swing Arm Assembly
26	BH-7239-69	RR21004	1	Front Swing Arm Assembly
27	BH-7239-69A	RR21005	1	Outer Front Swing Arm
28	BH-7239-47	RR21006	2	Rear Inner Arm
29	call for details	RR21000	2	Long Arm Assembly
30	call for details	RR21001	2	Long Arm
31	F-HC-0375-16-1500	40201	8	3/8-16 x 1-1/2" Hex Head Capscrew
32	BH-7545-17	RR11008	4	Arm Restraint Engage Gear
33	BH-7545-16	RR21010	4	Arm Restraint Gear
34	BH-7239-108	RR31004	2	Carriage Lock Release Rod
35	F-FW-0375-USS	40820	4	3/8" Flat Washer
36	BH-7235-65	40673	2	Cap Nut
37	BH-7235-45	RR31002	2	Safety Latch Weldment
38	call for price	RR41002	1	Column
39	call for price	RR41003	1	Column
40	BH-7235-34	RR21014	4	Swing Arm Pin
41	BH-7237-86	RR31005	2	Spring Latch
42	F-RR-0375	41410	2	3/8" Klip-Ring
43	BH-7235-63	RR31003	2	Latch Wipe Out
44	BH-7237-85	991030	2	Top Rail Snap Ring
45	F-FW-1250 SAE	41101	4	1-1/4" SAE Washer
46	BH-7006A	RR91000	1	Power Unit
47	F-NL-0312-18	40684	4	5/16-18 Nylock Nut
48	F-HN-0312-18	40670	4	5/16-18 Hex Nut
49	F-HC-0312-18-1250	40208	4	5/16-18 x 1-1/4" Hex Head Capscrew
50	BH-7239-109	RR11001S	1	Hydraulic Hose Kit
51	BH-7236-42	RR71002	1	Hydraulic Hose 56"
52	BH-7239-110	RR71004	1	Rubber Grommet

53	F-3705-6	RR71009	1	3/8" JIC Tee
54	F-HN-0500-13	40680	16	1/2-13 Hex Nut
55	F-HC-0250-13-1750	40318	16	1/2-13 x 1-3/4" Hex Head Capscrew
56	F-RW-0500	40940	40	1/2" Flat Washer
57	BH-7512-89A	991127		1/4" Shim
	BH-7512-90A			1/16" Shim
	BH-7512-91A			1/8" Shim
58	n/a	991127	16	16 Ga. Washer (see item 59)
59	BH-7075-03	FJ7380	10	Anchor Bolt
60	BH-7011-10		1	Power Unit Vibration Damper Gasket
61	F-A3405-6-6	RR71008	1	9/16" O-ring to 3/8" MJIC Elbow
62	call for price	RR71005	1	1/4" Push to Lock Plug
63	F-JN-0750-16	913611	2	3/4-16 Jam Nut
64	F-HN-0750-16	913602	2	3/4-16 Hex Nut
65	BH-7236-99	RR71006	2	Elbow
66	BH-7236-52	RR71003	1	By Pass Return Line 34"
67	BH-7239-96	991082	2	24" Plastic Tie Wrap
68	BH-7236-02	RR71000	2	Hyd Cylinder
	call for details			Hyd Cylinder Seal Kit
69	F-NL-0500-13	40707	6	1/2-13 Nylock Nut
70	BH-7239-111	RR51003	4	Cylinder Bushing
71	BH-7239-112	RR71007	2	3/8" MNPT Breather
72	F-HC-0500-13-0500	40337	2	1/2-13 1/2" Hex Head Capscrew
73	BH-7239-113	RR61000	1	Overhead Structure
74	F-HC-0250-20-0500	40062	2	1/4-20 S x 1/2" Hex Head Capscrew
75	BH-7239-104	RR61001	1	Overhead Limit Switch Assembly
76	BH-7239-103	RR61003	1	Overhead Limit Bar Assembly
77	F-HC-0250-20-2000	40109	1	1/4-20 x 2" Hex Head Capscrew
78	BH-7239-99	RR61002	1	Overhead Switch Spacer
79	F-FLN-0250-20	40643	3	1/4-20 Flange Lock Nut
80	BH-7237-57	RR71001	1	Hydraulic Hose 222"
81	BH-7236-94	RR11003	2	Equilizer Cable 33' 4"
82	BH-7239-115	RR51004	6	Sheave Assembly
83	BH-7239-116	RR51002	2	Sheave Pin
84	call for price	RR51000	2	Column Extension Assembly
85	call for price	RR51001	2	Column Extension Weldment
86	BH-7235-27	RR31006	16	Carriage Slider Block



Restraint Engage Gear



Main Restraint Gear

arm restraint detail

Item	SVI part #	OEM #	Req	Description
33	BH-7545-16	143534	4	Main Restraint Gear
9	F-RP-0250-1500	991060	4	1/4" X 1-1/2" Roll Pin
31	F-HC-0375-18-1500		8	3/8-16 x 1-1/2" Hex Head Capscrew
32	BH-7545-17	143535	4	Arm Restraint Engage Gear
7	BH-7239-78S	116533	4	Arm Restraint Pin Spacer
8	BH-7239-78	143536	4	Arm Restraint Pin
6	BH-7239-79	143537	4	Arm Restraint Spring
	BH-7239-77-1	994258x	4	Arm Restraint Kit (one arm)
	BH-7239-77-4	994258	1	Arm Restraint Kit (entire lift)

This lift is marketed under many different names.

**TERMS AND CONDITIONS OF THE
SALES ORDER
FOR SVI INTERNATIONAL, INC.**

1. **GENERAL.** The terms and conditions of sales order outlined herein shall apply to the sale by SVI INTERNATIONAL, INC. (hereinafter referred to as "Company") of the items described on the facing page (hereinafter referred to as "Merchandise") to Purchaser.
2. **DELIVERY.** Delivery shall be deemed to be complete when the Merchandise has been shipped F.O.B. Company's plants in DeKalb, Illinois, Duarte, California; and Baltimore, Maryland ("Company's plants"). Shipments are subject to delays from causes or contingencies beyond the reasonable control of the Company. When otherwise not specified, shipments will be made in standard containers via carrier which, in the judgment of the Company, will result in the most practical method. Title and right of possession will pass to the Purchaser upon receipt by the carrier at the shipping point. If a customer of the Company should specify a specific carrier's method of shipment (i.e. UPS Next Day Air) and that carrier does not perform to the customer's expectations, freight credit to a customer's account will not be issued unless the Company can first obtain a credit.
3. **RISK OF LOSS.** Identification of the Merchandise under Uniform Commercial Code (hereinafter referred to as "UCC") Section 2-501 shall take place at the moment of shipment F.O.B. Company's plants. Risk of loss shall pass to the Purchaser when the Merchandise is shipped from the Company's plants.
4. **TITLE.** Title to the merchandise shall transfer to the Purchaser when the Merchandise is shipped from the Company's plants.
5. **WARRANTIES.** The Company guarantees its products to be free from defects in workmanship and raw materials for a period of one year from date of purchase. THIS WARRANTY IS EXPRESSLY IN LIEU OF ANY AND ALL WARRANTIES EXPRESS OR IMPLIED. COMPANY DOES NOT WARRANT THE MERCHANDISE IS MERCHANTABLE OR FIT FOR ANY PARTICULAR PURPOSE. Company's liability for breach of the terms of this Agreement, including any warranty, is limited to either refund of the invoice price of the Merchandise or at Company's option, replacement of the Merchandise free of charge, including transportation charges but not including the cost of labor. Purchaser has not relied on any statement or upon the conduct of Company with respect to the prospective use of the merchandise. Company shall not be liable for and Purchaser waives any and all claims for any loss or damage, directly or indirectly, arising from the use of the Merchandise and for punitive, incidental or consequential damages, including, but not limited to, damages to property, for loss of use, loss of time, loss of profit or loss of income. The Company does not authorize the sale of our products under any other warranty, expressed or implied.
6. **SETOFF.** All claims for money due or to become due from the Company shall be subject to deduction by the Company for any setoff or counterclaim arising out of this or any other claims of the Company or its affiliated companies, whether such setoff or counterclaim arose before or after any assignment by Purchaser.
7. **INDEMNIFICATION.** Purchaser agrees to indemnify the Company and hold it harmless from and against all claims, liability, loss, damage or expense, including reasonable counsel fees, arising from or by reason of any modifications or alterations made by Purchaser. If a customer of the Company modifies or alters any part, in any manner whatsoever, or uses any part in departure from recommended performance specifications, said customer agrees to indemnify and hold the Company harmless from and against all liability and expenses based on damage to property or injury to or death of any person arising out of or attributable to such modified or altered part. Further, the Company will not accept any such modified or altered part for credit to a customer's account.
8. **FREIGHT POLICY.** Freight charges on individual orders less than \$3,000 in net value are prepaid and added to invoice or collect F.O.B. shipping point. Freight charges (standard ground service and continental US only) on individual orders more than \$3,000 net value are paid by the Company F.O.B. shipping point. Note: customers with C.O.D. terms are responsible for all carrier C.O.D. fees regardless of order net value.
9. **RETURN POLICY.** To return parts for credit or inspection Purchaser must first contact the Company to obtain a Return Goods Authorization number (RGA#). Once Purchaser has obtained an RGA# the parts can be returned freight prepaid only. The RGA# must be on the outside of the container in a highly visible location. All parts must be returned freight prepaid and the shipment must include a letter of explanation giving the specific reason for return including details as to the conditions under which the part or parts operated. Note: parts returned without an RGA#, freight collect or without written explanation may be refused. Parts which have been used in any way or manner, including any installation or incorporation into a lift or hoist, shall NOT be eligible for return whether or not an RGA has been assigned.
10. **RESTOCK CHARGE.** Returns are subject to up to twenty-five (25%) restocking charge. Refusals are subject to the same restocking charge plus the cost of outbound and return freight charges and/or fees incurred by the Company due to shipment refusal.
11. **PRICES AND PAYMENTS.** All prices are subject to change without notice. All prices are F.O.B. shipping point. The Company standard terms are net 30 days, C.O.D. company check, C.O.D. cash, VISA, MasterCard, Discover or American Express. However, if in the judgment of the Company, the financial condition of the Purchaser at any time does not justify shipment according to standard terms of payment, the Company may require full or partial payment in advance.
12. **INTERPRETATION.** This sales order is intended by the parties as a complete and exclusive statement of the terms of their agreement. It supersedes all prior agreements, written or oral. No course of prior dealings between the parties and no usage of the trade shall be relevant to supplement or explain any terms used in this sales order. Acceptance or acquiescence in a course of performance rendered under this purchase order shall not be relevant to determine the meaning of this sales order even though the accepting or acquiescing party has knowledge of the nature of the performance and opportunity for objection. Whenever a term defined by the UCC is used in this sales order the definition contained in the UCC shall control.
13. **MODIFICATION.** This sales order can be modified or rescinded only by a writing signed by both parties.
14. **WAIVER.** No claim or right arising out of a breach of this sales order can be discharged in whole or in part by a waiver or renunciation of the claim or right unless such waiver or renunciation is supported by consideration and is in writing signed by the aggrieved party.
15. **ASSIGNMENT.** No right or interest in this sales order shall be assigned by either party without the written consent of the other and no delegation of any obligation owed, or of the performance of any obligation by either the Company or Purchaser shall be made without the written consent of the other party. Any attempted assignment or delegation not made in conformity with this paragraph shall be wholly void and totally ineffective for all purposes.
16. **TIME TO PERFORM AND BRING ACTION.** Time is of the essence of this sales order. Any action for breach of this sales order shall be commenced within two (2) years after the cause of action has accrued. Any party who loses any litigation shall reimburse the other party for costs including reasonable attorneys fees. The exclusive jurisdiction for any legal action shall be the Circuit Court of DeKalb County, Illinois.
17. **APPLICABLE LAW.** This sales order shall be governed by the UCC of Illinois as effective and in force on the date of this sales order.

Offering the Best in Automotive Lift Repair Parts and More!

Auto Lift Cables • Auto Lift Parts • Brake Lathe Repair Parts

Compressed Air Repair Parts • Exhaust System Products • Fluid Delivery Repair Parts

Lubrication Equipment Repair Parts • Repair Parts for Gasboy Consumer Series

Service Station Pump and Tank Products • SVI Misc Auto Lift Products and Catalogs

Tire Changer Repair Parts • Vehicle Lifting Systems • Wheel Balancer Accessories

Serving the Industry Since 1977 • Same-Day Shipping



SVI International, Inc.

(800) 321-8173 • fax: (800) 899-1784

155 Harvestore Drive • DeKalb, IL 60115

www.sviinternational.com

BALTIMORE • CHICAGO • LOS ANGELES

While the utmost care has been used in compiling this reference material, we assume no responsibility for errors. Specifications are subject to change without notice. This edition supersedes all previous editions or issues. SVI reference material is subject to change without notice. All rights reserved.