

Automotive Lift

R E P A I R P A R T S



SVI International, Inc.
(800) 321-8173 • fax: (800) 899-1784
155 Harvestore Drive • DeKalb, IL 60115
www.sviinternational.com

BALTIMORE • CHICAGO • LOS ANGELES

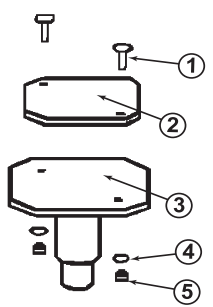
Repair Parts for: **Forward**

Repair Parts for:
Forward

LRC7235



for lift model DP7A / DP97A Series / DP10A Series



Adapter Base with rubber pad

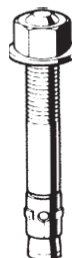
Item	SVI part #	OEM #	Req	Description
1	F-EB-0250-20-1000	991243	8	1/4" x 1" Elevator Bolt
2	BH-7235-90A	991234	4	Rubber Pad - standard duty
	BH-7235-90	994105	1	Rubber Pad Kit - standard duty
	BH-7235-90AX		4	Rubber Pad - heavy duty
	BH-7235-90K		1	Rubber Pad Kit - heavy duty
3	BH-7089-97	106605	4	Adapter Base and Pad 1-1/4" Pin
4	F-FW-0250-USS	911405	8	1/4" Flat Washer
5	F-HN-0250-20	911401	8	1/4"-20 Hex Nut

All names, numbers, symbols and descriptions are used for reference purposes only. It is not implied that any part listed is the product of these manufacturers; however, some parts may be the actual product of these manufacturers.

for lift model DP7A / DP97A Series / DP10A Series

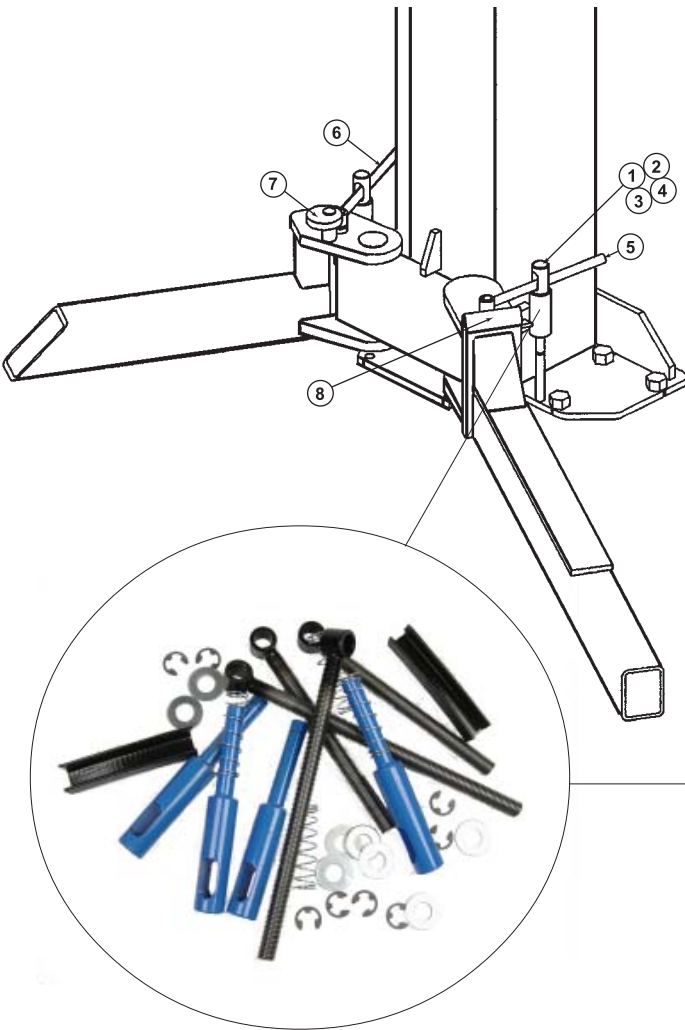
Item	SVI part #	OEM #	Req	Description
1	BH-7089-97	106605		Adapter Base and Pad 1-1/4" Pin
2	BH-7235-90A	991234		Rubber Pad - standard duty
3	F-EB-0250-20-1000	991243		1/4-20 x 1-1/4 Elevator Bolt
4	F-HN-0250-20	911401		1/4-20 Hex Nut
5	F-FW-0250-USS	911405		1/4" Washer
6	BH-7239-31	119605		Inner Arm Long - Rear DP7A
	BH-7239-21	106703		Inner Arm Long - Rear DP97A / S
	BH-7239-22	145603		Inner Arm Long - Rear DP10A / S
7	F-HC-0500-12-0750	912631		1/2-13 x 3/4" HHCS Grade 5
8	F-LW-0500	912607		1/2" Lock Washer
9	BH-7239-30	119604		Outer Arm Long LH DP7
	BH-7239-20	143605		Outer Arm Long LH DP97A & DP10A
	BH-7239-24	145602		Outer Arm Long LH DP97S & DP10S
10	BH-7239-28	119602		Outer Arm Short LH DP7
	BH-7239-23	145601		Outer Arm Short LH DP97S & DP10S
11	t/b/a	158201		Driver Side Column DP97 & DP10
	t/b/a	119201		Driver Side Column DP7
12	BH-7237-85	991030		Top Rail Snap Ring
13	BH-7235-66	995030		Cable Sheave 5"
14	call for details	145500		Carriage Assembly DP10
	call for details	119500		Carriage Assembly DP7
	call for details	106500		Carriage Assembly DP97
15	BH-7239-40	145501		Carriage Weldment DP10
	BH-7239-34	119501		Carriage Weldment DP7
	BH-7239-42	106501		Carriage Weldment DP97
16	BH-7236-02	992317	2	Hydraulic Cylinder
17	F-HN-0750-16	913602		3/4-16 Hex Nut
18	F-JN-0750-16	913611		3/4-16 Hex Jam Nut
19	BH-7236-99	992402		Elbow
20	BH-7239-96	991082		24" Wire Tie
21	F-NL-0500-13	912603		1/2-13 Nylock Nut
22	F-HC-0500-13-5000	912791		1/2-13 x 5 Hex Head Capscrew
23	BH-7236-40	992143		Hyd Hose 205"-DP7 & DP97 & DP10
	BH-7236-46	992158		Hyd Hose 257"-DP97A2/S2 & DP10A2/S2
24	BH-7235-00	995020		4" Cable Sheave
25	BH-7239-97	108802		2' Column Extension Driver Side DP97A2/S2 & DP10A2/S2
26	BH-7239-98	992496		Fitting DP7, DP97 & DP10
	BH-7239-98A	992504		Fitting DP97A2/S2 & DP10A2/S2
27	call for price	992501		3/8" Bushing to 1/4" NPT Bushing
28	BH-7239-99	991480		Overhead Shutoff Bar Spacer
29	call for price	991483		HWHTS Type F 10-24 x 1/34"
30	BH-7239-100	106801		Overhead Weldment DP97 & DP10
	BH-7239-101	119801		Overhead Weldment DP7
	BH-7239-102	108803		Overhead Weldment DP97A2/S2 & DP10A2/S2
31	BH-7239-103	991481		Padded Overhead Limit Switch Bar
32	BH-7503-65	991476		Overhead Limit Switch
33	call for price	991482		HWHTS Type F, 10-24 x 1/2"
34	BH-7235-03	992663		Eq. Cable 32' 4.5" - DP7
	BH-7235-08	992627		Eq. Cable 33' 6" - DP97 & DP10
	BH-7236-93	992659		Eq. Cable 37' 4" - DP97A2/S2 & DP10A2/S2
35	F-NL-0625-11	913203		5/8-11 Nylock Nut

36	BH-7235-24D	913206		Arm Restraint Washer
37	BH-7239-105	992212		1/4" Return Line
38	call for details	992500		Tee DP7 & DP97 & DP10
	call for details	992505		Tee DP97A2/S2 & DP10A2/S2
39	F-HC-0500-12-2500	912701		1/2-13 x 2-1/2" Hex Head Capscrew
40	F-HN-0500-13	912601		1/2-13 Hex Nut
41	F-FW-0500-USS	912605		1/2" Washer
42	BH-7239-97A	108801		2' Column Extension Pass Side DP97A2/S2 & DP10A2/S2
43	BH-7235-17	106802		Cylinder Mount Weldment DP7 & DP97A/S & DP10A/S
44	F-HC-0500-13-1750	912671		1/2-13 x 1-3/4" Hex Head Capscrew
45	BH-7236-50	992101		Hydraulic Hose 68"
46	BH-7236-43	992502		3/8" JIC Tee
47	F-HN-0312-18	911701		5/16-18 Hex Nut
48	F-NL-0312-18	911703		5/16-18 Nylock Nut
49	F-HC-0312-18-1250	911751		5/16-18 x 1-1/4" Hex Head Capscrew
50	BH-7006-01	992017-9A		Power Unit
51	call for details	992410		9/16 O-Ring to 3/8 JIC Elbow
52	t/b/a	158101		Pass Side Column DP97 & DP10
	t/b/a	119101		Passenger Side Column DP7
53	BH-7239-29	119603		Inner Arm Front DP7A
	BH-7239-17	106608		Inner Arm Front DP97A
	BH-7239-17S	106706		Inner Arm Front DP97S
	BH-7239-18	143602		Inner Arm Front DP10A - Short
	BH-7239-22	145603		Inner Arm Front DP10S - Long
54	BH-7239-27	119601		Outer Arm RF DP7 - Short
	BH-7235-41	106606		Outer Arm RF DP97A & DP10A - Short
	BH-7239-24	145602		Outer Arm RF DP97S & DP10S
55	BH-7239-30	119604		Outer Arm RR DP7
	BH-7239-19	143604		Outer Arm RR DP97A & DP10A
	BH-7239-23	145601		Outer Arm RR DP97S & DP10S
56	BH-7512-89A	991127		1/4" Shim
	BH-7512-90A			1/16" Shim
	BH-7512-91A			1/8" Shim
57	BH-7075-03	913828		3/4" x 5-1/2" Anchor Bolt
58	BH-7089-99B	995550		6" Nesting Pad Extension
	BH-7089-99A			5" Nesting Pad Extension
	BH-7235-71	995560		3" Nesting Pad Extension
	BH-7235-72	996220		1-1/2" Nesting Pad Extension
59	BH-7236-42	992156		Mainside Hose
60	BH-7235-34	914502		Arm Pin



The next time you relocate a lift use SVI Ultrawedge Full Thread Wedge Anchors. Ask for BH-7075-03

for lift model DP7A / DP97A Series / DP10A Series



arm restraint parts detail

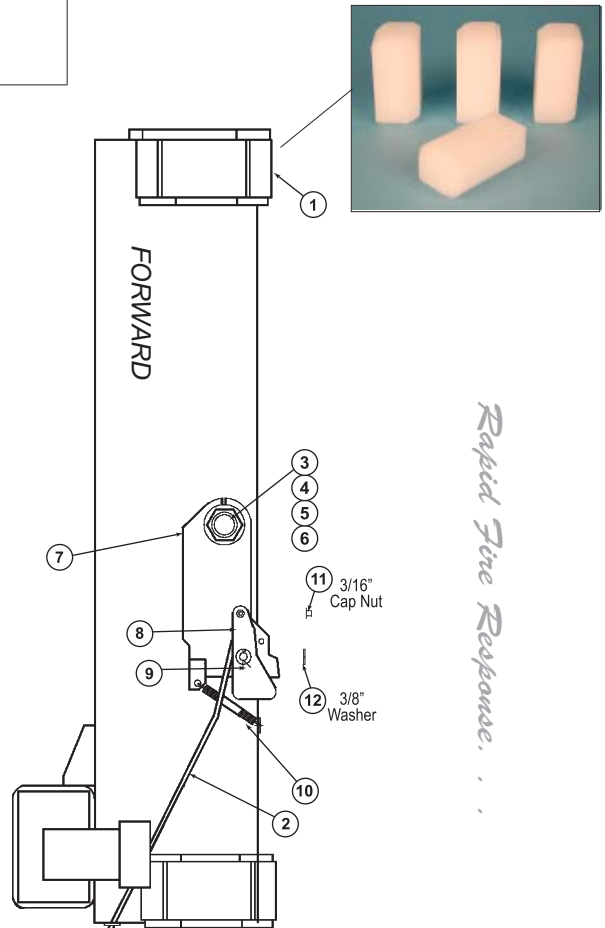
Item	SVI part #	OEM #	Req	Description
1	BH-7235-56	148701		Arm Rest Plunger DP97 & DP10 - 7"
	BH-7235-53	148705		Arm Restraint Plunger DP7 - 10.4"
	BH-7235-56	148701		Arm Restraint Plunger DP97S, DP10S
2	BH-7235-24D	913206		Arm Restraint Washer
3	BH-7235-24E	991209		Arm Restraint E-Clip 5/8"
4	BH-7235-25	991216		Arm Restraint Spring
5	BH-7235-52	148707		Rear Arm Rest Slider DP97A & DP10A
	BH-7235-57	148704		Arm Rest Slider DP97S & DP10S
	BH-7235-54	148703		Front Arm Rest Slider DP7, 97A & 10A
7	BH-7235-40	991269		Rubber Bumper Stop

arm restraint kits - (for all four arms)

Item	SVI part #	OEM #	Req	Description
1	BH-7235-23	158K01		Arm Restraint Kit DP97A & DP10A
2	BH-7235-23X	159K01		Arm Restraint Kit DP7

carriage lock detail

Item	SVI part #	OEM #	Req	Description
1	BH-7235-27	995120		Carriage Slider Block
2	BH-7237-19	90541		Lock Release Rod 17"
3	F-HC-1000-14	914402		1-14 Hex Nut Grade 8
4	F-FW-1000	914406		1" Washer
5	BH-7235-64	106521		Latch Pivot
6	F-HC-1000-14-2500	914502		1-14 x 2-1/2 HHCS Grade 8
7	BH-7235-45	106502		Latch Weldment
8	BH-7235-63	070528M		Latch Release Pivot
9	BH-7236-56	991077		Colter Pin
10	BH-7237-86	991071		Spring Latch
11	BH-7235-65	991070		Cap Nut
12	F-FW-0375-USS	912005		3/8" Washer



**TERMS AND CONDITIONS OF THE
SALES ORDER
FOR SVI INTERNATIONAL, INC.**

1. **GENERAL.** The terms and conditions of sales order outlined herein shall apply to the sale by SVI INTERNATIONAL, INC. (hereinafter referred to as "Company") of the items described on the facing page (hereinafter referred to as "Merchandise") to Purchaser.
2. **DELIVERY.** Delivery shall be deemed to be complete when the Merchandise has been shipped F.O.B. Company's plants in DeKalb, Illinois, Duarte, California; and Baltimore, Maryland ("Company's plants"). Shipments are subject to delays from causes or contingencies beyond the reasonable control of the Company. When otherwise not specified, shipments will be made in standard containers via carrier which, in the judgment of the Company, will result in the most practical method. Title and right of possession will pass to the Purchaser upon receipt by the carrier at the shipping point. If a customer of the Company should specify a specific carrier's method of shipment (i.e. UPS Next Day Air) and that carrier does not perform to the customer's expectations, freight credit to a customer's account will not be issued unless the Company can first obtain a credit.
3. **RISK OF LOSS.** Identification of the Merchandise under Uniform Commercial Code (hereinafter referred to as "UCC") Section 2-501 shall take place at the moment of shipment F.O.B. Company's plants. Risk of loss shall pass to the Purchaser when the Merchandise is shipped from the Company's plants.
4. **TITLE.** Title to the merchandise shall transfer to the Purchaser when the Merchandise is shipped from the Company's plants.
5. **WARRANTIES.** The Company guarantees its products to be free from defects in workmanship and raw materials for a period of one year from date of purchase. THIS WARRANTY IS EXPRESSLY IN LIEU OF ANY AND ALL WARRANTIES EXPRESS OR IMPLIED. COMPANY DOES NOT WARRANT THE MERCHANDISE IS MERCHANTABLE OR FIT FOR ANY PARTICULAR PURPOSE. Company's liability for breach of the terms of this Agreement, including any warranty, is limited to either refund of the invoice price of the Merchandise or at Company's option, replacement of the Merchandise free of charge, including transportation charges but not including the cost of labor. Purchaser has not relied on any statement or upon the conduct of Company with respect to the prospective use of the merchandise. Company shall not be liable for and Purchaser waives any and all claims for any loss or damage, directly or indirectly, arising from the use of the Merchandise and for punitive, incidental or consequential damages, including, but not limited to, damages to property, for loss of use, loss of time, loss of profit or loss of income. The Company does not authorize the sale of our products under any other warranty, expressed or implied.
6. **SETOFF.** All claims for money due or to become due from the Company shall be subject to deduction by the Company for any setoff or counterclaim arising out of this or any other claims of the Company or its affiliated companies, whether such setoff or counterclaim arose before or after any assignment by Purchaser.
7. **INDEMNIFICATION.** Purchaser agrees to indemnify the Company and hold it harmless from and against all claims, liability, loss, damage or expense, including reasonable counsel fees, arising from or by reason of any modifications or alterations made by Purchaser. If a customer of the Company modifies or alters any part, in any manner whatsoever, or uses any part in departure from recommended performance specifications, said customer agrees to indemnify and hold the Company harmless from and against all liability and expenses based on damage to property or injury to or death of any person arising out of or attributable to such modified or altered part. Further, the Company will not accept any such modified or altered part for credit to a customer's account.
8. **FREIGHT POLICY.** Freight charges on individual orders less than \$3,000 in net value are prepaid and added to invoice or collect F.O.B. shipping point. Freight charges (standard ground service and continental US only) on individual orders more than \$3,000 net value are paid by the Company F.O.B. shipping point. Note: customers with C.O.D. terms are responsible for all carrier C.O.D. fees regardless of order net value.
9. **RETURN POLICY.** To return parts for credit or inspection Purchaser must first contact the Company to obtain a Return Goods Authorization number (RGA#). Once Purchaser has obtained an RGA# the parts can be returned freight prepaid only. The RGA# must be on the outside of the container in a highly visible location. All parts must be returned freight prepaid and the shipment must include a letter of explanation giving the specific reason for return including details as to the conditions under which the part or parts operated. Note: parts returned without an RGA#, freight collect or without written explanation may be refused. Parts which have been used in any way or manner, including any installation or incorporation into a lift or hoist, shall NOT be eligible for return whether or not an RGA has been assigned.
10. **RESTOCK CHARGE.** Returns are subject to up to twenty-five (25%) restocking charge. Refusals are subject to the same restocking charge plus the cost of outbound and return freight charges and/or fees incurred by the Company due to shipment refusal.
11. **PRICES AND PAYMENTS.** All prices are subject to change without notice. All prices are F.O.B. shipping point. The Company standard terms are net 30 days, C.O.D. company check, C.O.D. cash, VISA, MasterCard, Discover or American Express. However, if in the judgment of the Company, the financial condition of the Purchaser at any time does not justify shipment according to standard terms of payment, the Company may require full or partial payment in advance.
12. **INTERPRETATION.** This sales order is intended by the parties as a complete and exclusive statement of the terms of their agreement. It supersedes all prior agreements, written or oral. No course of prior dealings between the parties and no usage of the trade shall be relevant to supplement or explain any terms used in this sales order. Acceptance or acquiescence in a course of performance rendered under this purchase order shall not be relevant to determine the meaning of this sales order even though the accepting or acquiescing party has knowledge of the nature of the performance and opportunity for objection. Whenever a term defined by the UCC is used in this sales order the definition contained in the UCC shall control.
13. **MODIFICATION.** This sales order can be modified or rescinded only by a writing signed by both parties.
14. **WAIVER.** No claim or right arising out of a breach of this sales order can be discharged in whole or in part by a waiver or renunciation of the claim or right unless such waiver or renunciation is supported by consideration and is in writing signed by the aggrieved party.
15. **ASSIGNMENT.** No right or interest in this sales order shall be assigned by either party without the written consent of the other and no delegation of any obligation owed, or of the performance of any obligation by either the Company or Purchaser shall be made without the written consent of the other party. Any attempted assignment or delegation not made in conformity with this paragraph shall be wholly void and totally ineffective for all purposes.
16. **TIME TO PERFORM AND BRING ACTION.** Time is of the essence of this sales order. Any action for breach of this sales order shall be commenced within two (2) years after the cause of action has accrued. Any party who loses any litigation shall reimburse the other party for costs including reasonable attorneys fees. The exclusive jurisdiction for any legal action shall be the Circuit Court of DeKalb County, Illinois.
17. **APPLICABLE LAW.** This sales order shall be governed by the UCC of Illinois as effective and in force on the date of this sales order.

Offering the Best in Automotive Lift Repair Parts and More!

Auto Lift Cables • Auto Lift Parts • Brake Lathe Repair Parts

Compressed Air Repair Parts • Exhaust System Products • Fluid Delivery Repair Parts

Lubrication Equipment Repair Parts • Repair Parts for Gasboy Consumer Series

Service Station Pump and Tank Products • SVI Misc Auto Lift Products and Catalogs

Tire Changer Repair Parts • Vehicle Lifting Systems • Wheel Balancer Accessories

Serving the Industry Since 1977 • Same-Day Shipping



SVI International, Inc.

(800) 321-8173 • fax: (800) 899-1784

155 Harvestore Drive • DeKalb, IL 60115

www.sviinternational.com

BALTIMORE • CHICAGO • LOS ANGELES

While the utmost care has been used in compiling this reference material, we assume no responsibility for errors. Specifications are subject to change without notice. This edition supersedes all previous editions or issues. SVI reference material is subject to change without notice. All rights reserved.