

Automotive Lift

R E P A I R P A R T S



MODEL.....	PAGE
AF Mechanical.....	2-5
AO Mechanical	6-9
AL7 New Style.....	10-12
AL7 Old Style.....	13-16
ART, ARTO, TPA, TPAO	17-23
LAS 7, LAS 9	24-27
LASO 7, LASO 9	27-30
LMO 7, LMO 9, LMP 7, LMP 9	31-35
NDL 5500, NDL 7000	36-39
NDO 7, NDO 9, NDF 7, NDF 9.....	40-44

MODEL.....	PAGE
9000 FC.....	45-47
FAR 12.....	48-52
LMA 9, LMA 12	53-55
LMT 6	56-57
LMT 12, SST 12, LMT 9, SST 9	58-61
LMT 22	62-63
LMT 30	63-64
LTC 9.....	65-68
QLR 2000	69-74
Cable/Seal Kit Cross Reference.....	75

SVI International, Inc.
(800) 321-8173 • fax: (800) 899-1784
155 Harvestore Drive • DeKalb, IL 60115
www.sviinternational.com

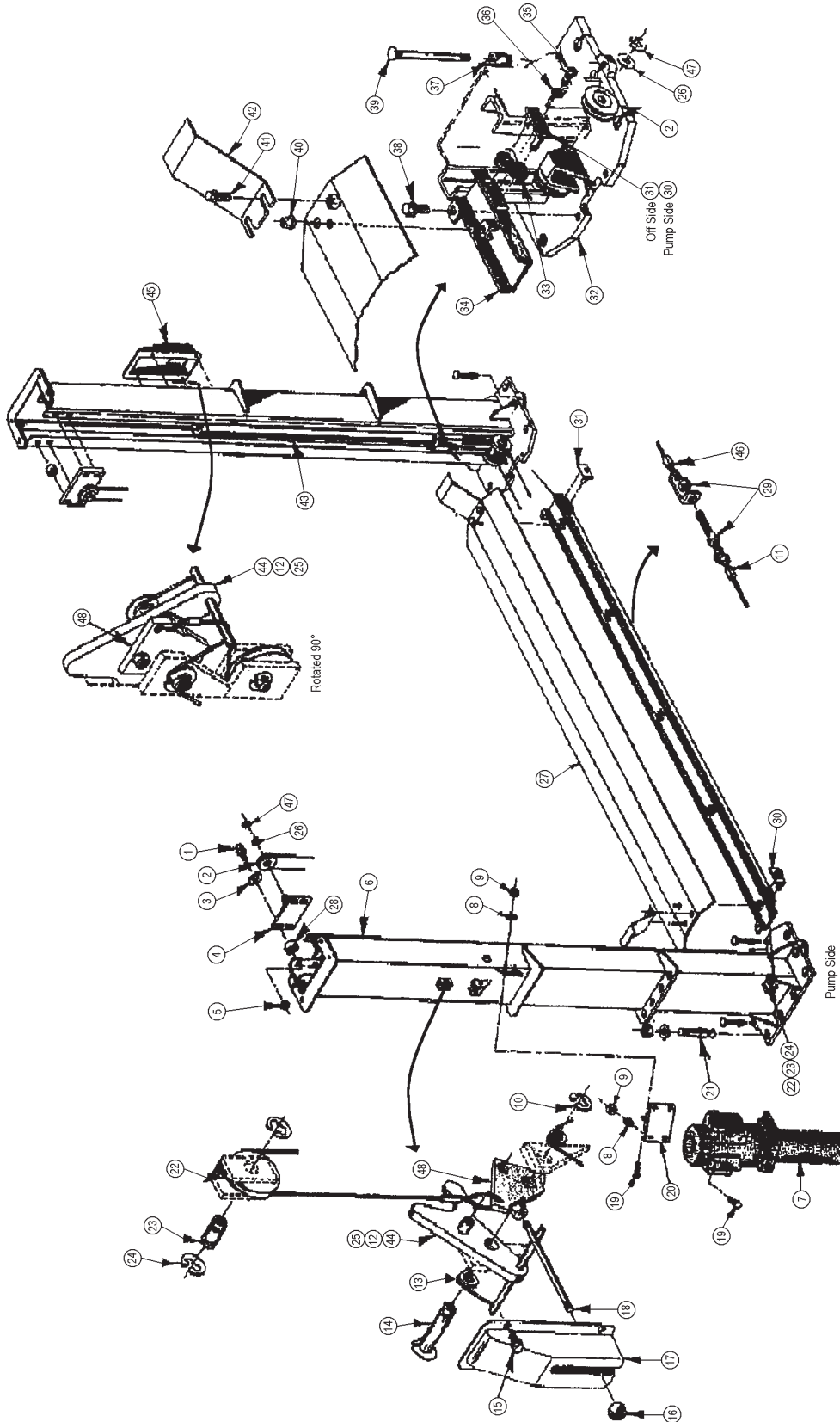
BALTIMORE • CHICAGO • LOS ANGELES

Repair Parts for:
**Ammco/
Ben Pearson**
LRC7100A

Repair Parts for: **Ammco / Ben Pearson**



for Model AF Mechanical





for Model AF Mechanical

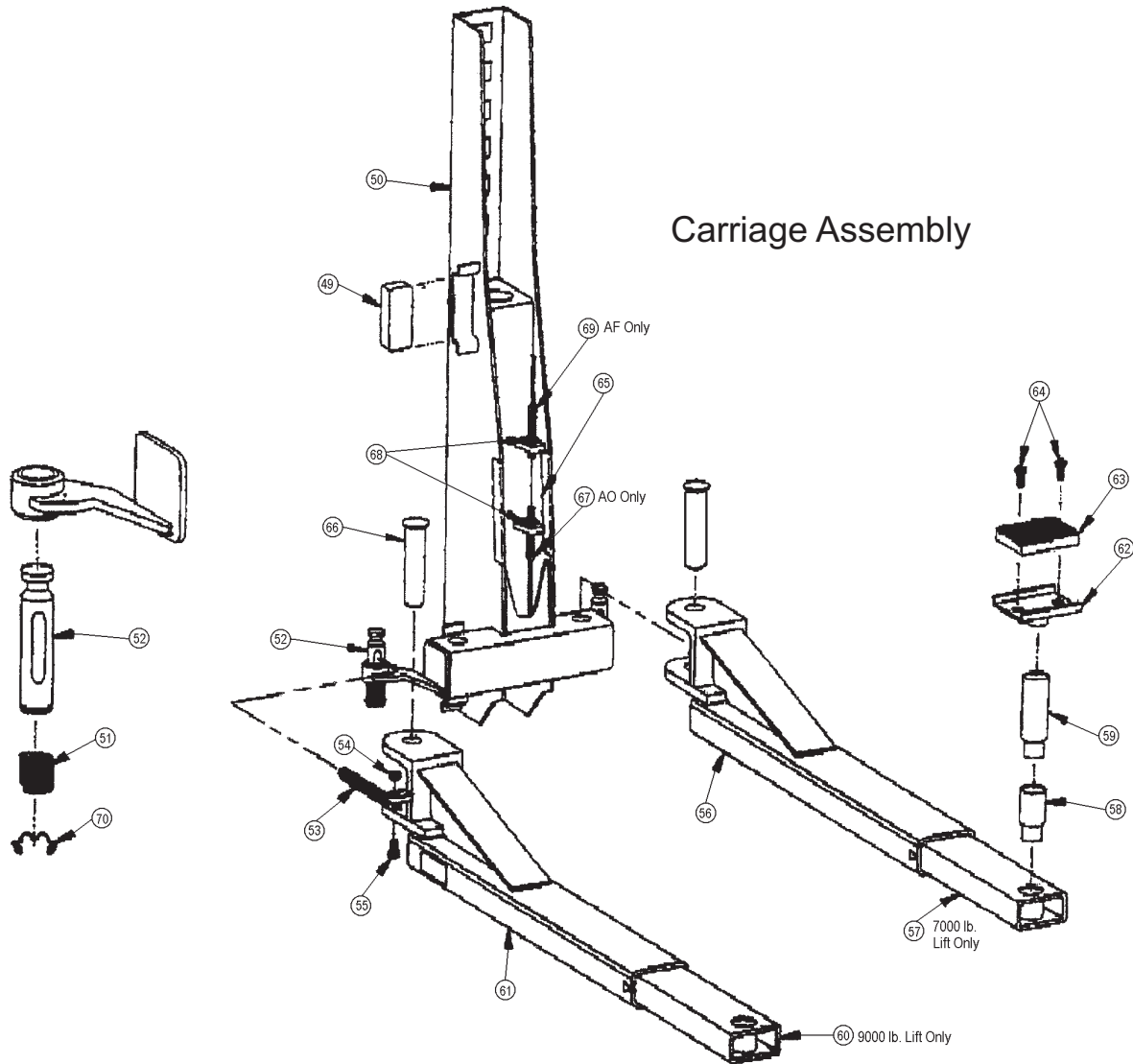
Item SVI #	OEM #	Req.	Description
1	BH-7112-30	100353	8 Hex Screw
2	BH-7104-04	84395	6 Sheave
3	BH-7112-29	100141	16 Washer
4	BH-7104-03	84598	2 Idler Support
5	BH-7112-28	301122	8 Nylock Nut
6	BH-7112-25	84442	1 Post AF 9 Pump Side
6	BH-7112-26	84432	1 Post AF 7 Pump Side
6	BH-7112-27	84440	1 Post AF 7A, 9B Pump Side
7	BH-7006-01	82957	1 Power Unit 1PH, 2 HP
8	BH-7112-24	100159	6 Lock Washer
9	BH-7112-23	100102	6 Hex Nut, 5/16"
10	BH-7110-34	100343	4 Retaining Ring
11	BH-7112-22	83914	1 Cable Assy Pump Side
12	BH-7103-13	83911	1 Rod Spring
13	BH-7110-15	100344	4 Torsion Spring
14	BH-7103-14	83908	2 Latch Shaft
15	BH-7112-21	106301	8 Self Tapping Screw
16	BH-7100-42	320	1 Safety Release Ball
17	BH-7101-35	83924	1 Cover - Pump Side
18	BH-7100-41	83906	1 Safety Release Handle
19	BH-7112-20	100198	6 Hex Screw
20	BH-7110-38	84434	1 Mounting Bracket
21	BH-7075-03L	80362	16 3/4" x 5-1/2" Anchor Bolt
22	BH-7104-08	83903	4 Lock Release Pulley
23	BH-7104-09	83904	4 Pulley Shaft
24	BH-7104-07	27112	8 E-Ring

Item SVI #	OEM #	Req.	Description
25	BH-7104-05	84837	1 Lock Latch Consisting of: 1 - #12 and 1 - #44
26	BH-7112-47	100359	6 Washer
27	BH-7112-46	83800	1 Cover Trough
28	BH-7112-45	84364	8 Spacer
29	BH-7112-44	3528	2 Hex Nut
30	BH-7112-43	83920	1 Bracket Idler Pump Side
31	BH-7112-42	83921	1 Bracket Idler Off Side
32	BH-7112-40	84431	1 Post AF 7 Off Side
32	BH-7112-41	84441	1 Post AF 9 Off Side
33	BH-7106-06	14710	4 Horizontal Pulley
34	BH-7112-29	83922	1 Trough Assembly
35	BH-7112-38	6354	2 Hex Screw
36	BH-7112-37	6081	2 Lock Washer
37	BH-7100-44	84389	4 Rubber Grommet
38	BH-7112-36	100240	2 Hex Screw
39	BH-7101-30	84457	4 Short Release Rod
40	BH-7110-76	100239	2 Self Locking Hex Nut 3/8"
41	BH-7112-35	100342	4 Hex Screw
42	BH-7112-34	84586	2 Shield
43	BH-7112-32	84541	1 Hydraulic Cylinder Pump Side
43	BH-7112-33	84341	1 Hydraulic Cylinder Off Side
44	BH-7101-46	84836	2 Latch Assembly
45	BH-7101-36	83925	1 Cover Slave Side
46	BH-7112-31	83926	1 Cable Assembly Off Side
47	BH-7104-10	100358	6 Retaining Ring
48	BH-7103-08	84590	2 Cable Sear



for Model AF Mechanical

Carriage Assembly

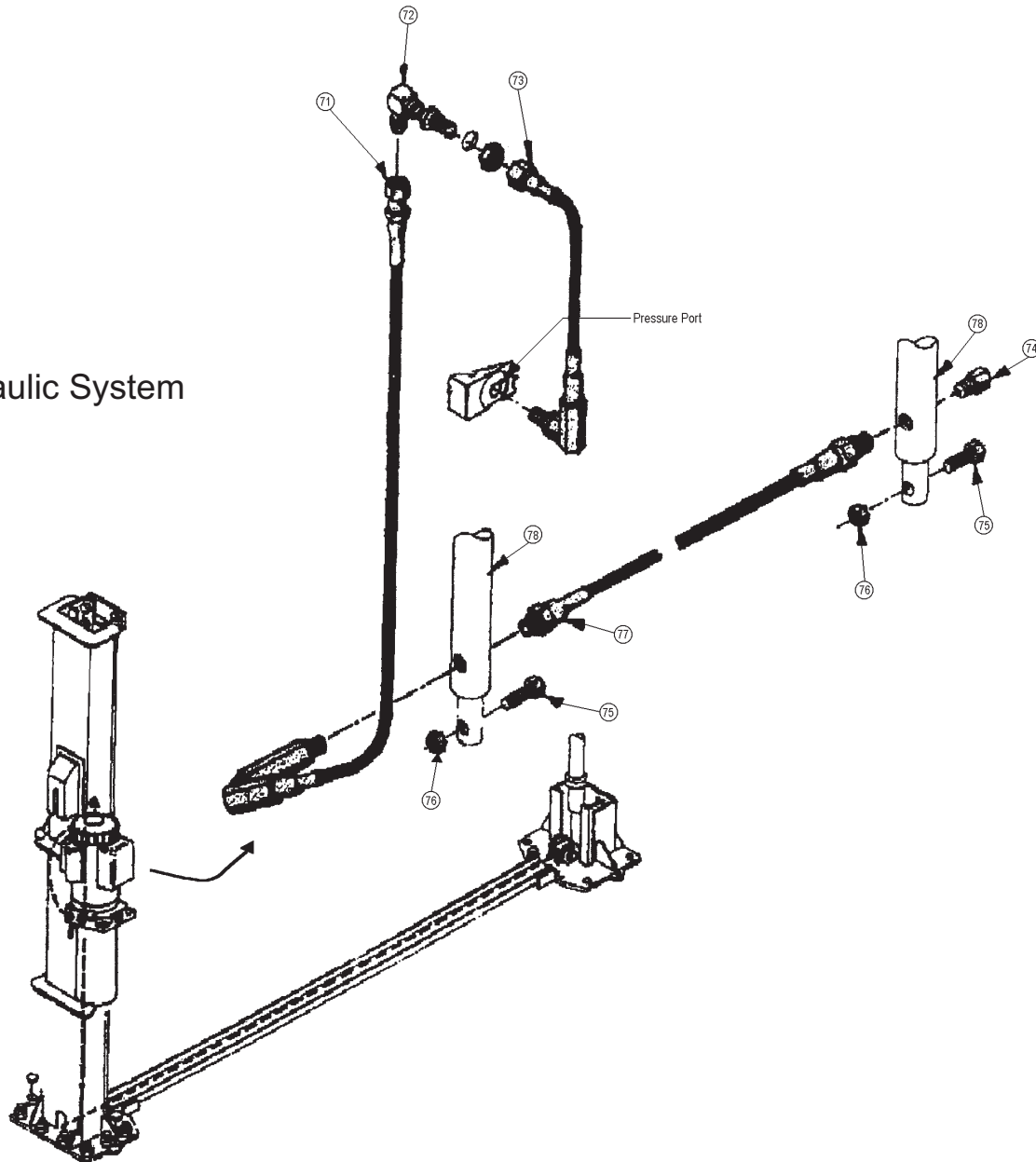


Item SVI #	OEM #	Req.	Description
49	BH-7110-01A	8	Slider Block
50	BH-7112-48	2	Carriage
51	BH-7103-05	4	Spring
52	BH-7103-06	4	Threaded Segment
53	BH-7103-04	4	Arm Lock Bar Short
54	F-NL-0375-16	4	Nylock Nut
55	BH-7110-48	4	Hex Screw 3/8"
56	BH-7110-88	2	Arm Pump Side
57	BH-7110-46	4	Arm Extension 7000 lb.
58	BH-7110-84	4	Extension 2-5/8"
59	BH-7110-85	4	Extension 5"
60	BH-7112-49	4	Arm Extension 9000 lb.
61	BH-7112-50	2	Arm Off Side

Item SVI #	OEM #	Req.	Description
62	BH-7101-01	4	Steel Adapter
63	BH-7101-00	4	Rubber Arm Pad
64	F-HC-0312-18-0750	8	Hex Screw
65	BH-7110-76	4	Door Guard
66	BH-7110-53	4	Pin
67	BH-7100-07	2	Equalizer Cable AO Series
67	BH-7103-28	2	Equalizer Cable AO-S Series
68	BH-7110-70	8	Hex Nut
69	BH-7100-35	2	Equalizer Cable AF Series
70	BH-7103-07	4	Retaining Ring
*	BH-7101-01C	4	Adapter Base and Pad Assy Consists of items 62, 63, & 64

for Model AF Mechanical

Hydraulic System

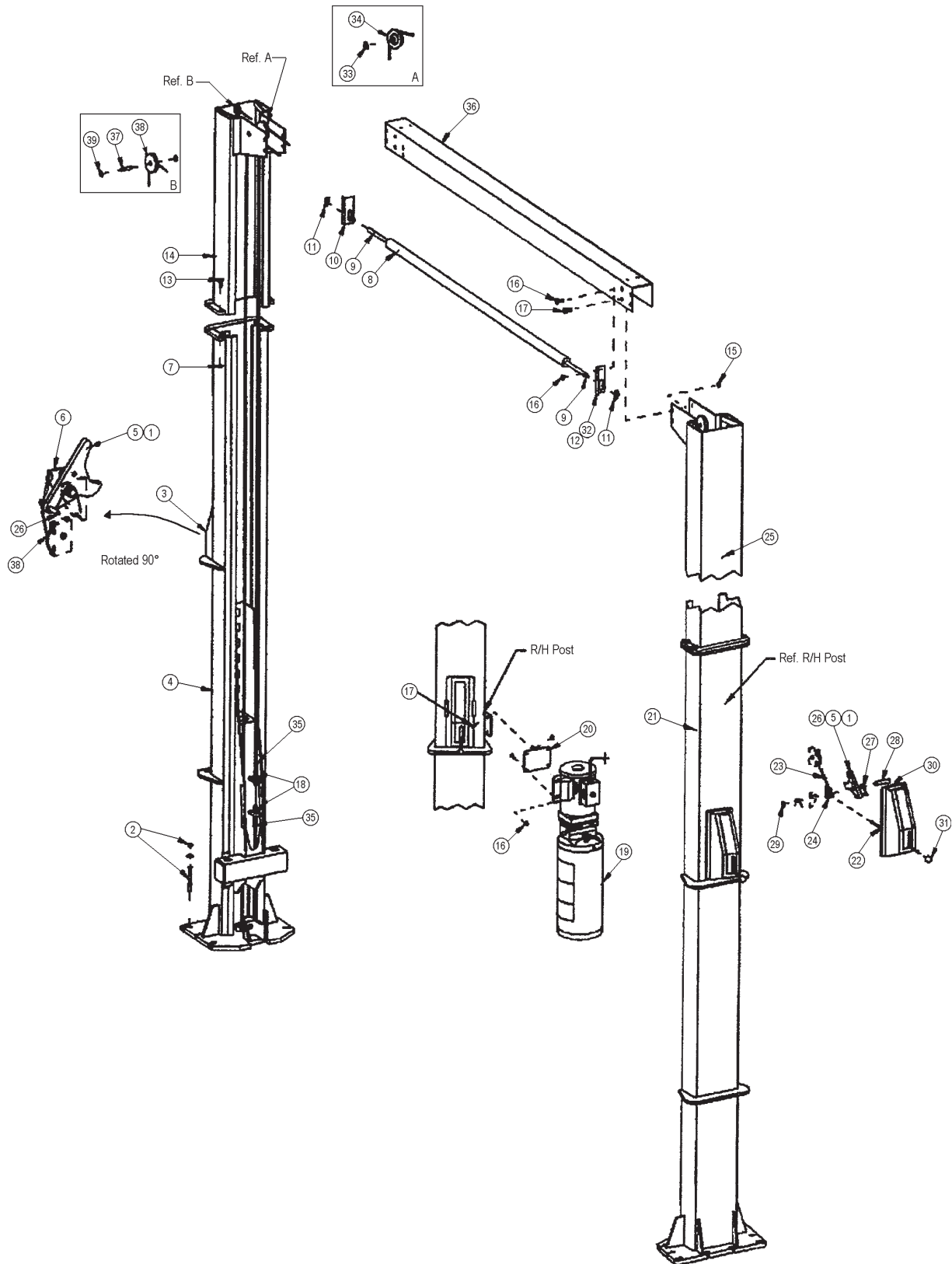


Item SVI #	OEM #	Req.	Description
71	BH-7102-89	84933	1 Hose Assembly
72	BH-7112-51	100374	1 Bulk Head Elbow
73	BH-7110-92	84935	1 Hose Assembly
74	BH-7110-66	100026	1 Plug

Item SVI #	OEM #	Req.	Description
75	BH-7110-60	100312	2 Hex Bolt
76	BH-7110-61	100068	2 Hex Nut
77	BH-7112-52	84956	1 Crossover Hose Assembly
78	BH-7100-62	82803	2 Hydraulic Cylinder



for Model AO Mechanical





for Model AO Mechanical

Item SVI #	OEM #	Req.	Description
1	BH-7101-46	84836	2 Latch Assy.
2	BH-7075-03L	80362	16 3/4 x 5-1/2" Wedge Anchor
3	BH-7101-36	83925	1 Cover Slave Side
4	BH-7112-55	85381	1 Post Offside
5	BH-7112-54	100106	2 Roll Pin
6	BH-7100-40	84573	1 Safety Release Cable
7	BH-7110-82	100039	8 Hex Nut
8	BH-7110-81	100363	1 Tubing, Bumper
9	BH-7110-80	84856	1 Pipe Bumper
10	BH-7103-26	85632	1 LH Angle
11	BH-7103-25	100362	2 End Clips
12	BH-7110-79	84885	1 Bumper Kit
13	BH-7110-78	80453	8 Hex Bolt
14	BH-7104-06	83944	1 Post Extension
15	BH-7110-76	100239	8 Hex Nut
16	BH-7110-75	100237	12 Hex Nut
17	BH-7110-73	100234	12 Hex Screw
18	BH-7110-70	100073	8 Cable Nut
19	BH-7006-01		1 Power Unit 1 PH, 2 HP
20	BH-7110-38	84434	1 Mounting Bracket

Item SVI #	OEM #	Req.	Description
21	BH-7112-53	85380	1 Post Pump Side
22	BH-7100-41	83906	1 Release Handle
23	BH-7101-47	100357	1 Cable Clamp
24	BH-7103-08	84590	1 Cable Sear
25	BH-7104-06	83944	1 Post Extension
26	BH-7103-13	83911	2 Rod Spring
27	BH-7110-15	100344	4 Torsion Spring
28	BH-7103-14	83908	4 Latch Shaft
29	BH-7104-07	27112	4 E-Ring
30	BH-7101-35	83924	1 Cover Pump Side
31	BH-7100-42	320	1 Safety Release Ball
32	BH-7110-71	85633	1 RH Angle
33	BH-7104-10	100358	6 Retaining Ring
34	BH-7104-04	84938	6 Pulley
35	BH-7100-19	84916	2 Equalizer Cable
36	BH-7103-23	83958	1 Overhead Beam
37	BH-7104-09	83904	4 Idler Shaft
38	BH-7104-08	83903	4 Idler Pulley
39	BH-7104-07	27112	8 E-Ring

To The 3rd Power

Baltimore
Chicago
Los Angeles

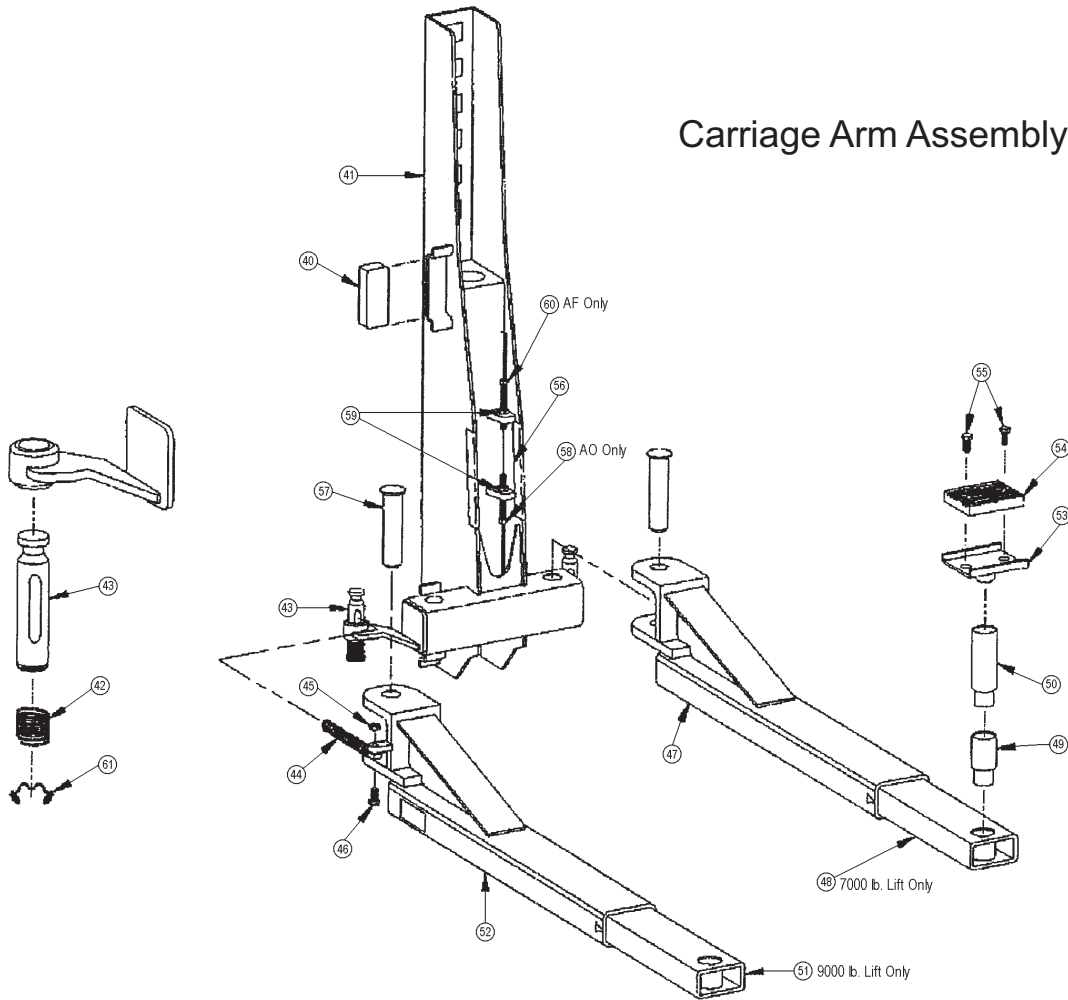


3X the shipping capabilities
3X the convenience
3X the inventory



for Model AO Mechanical

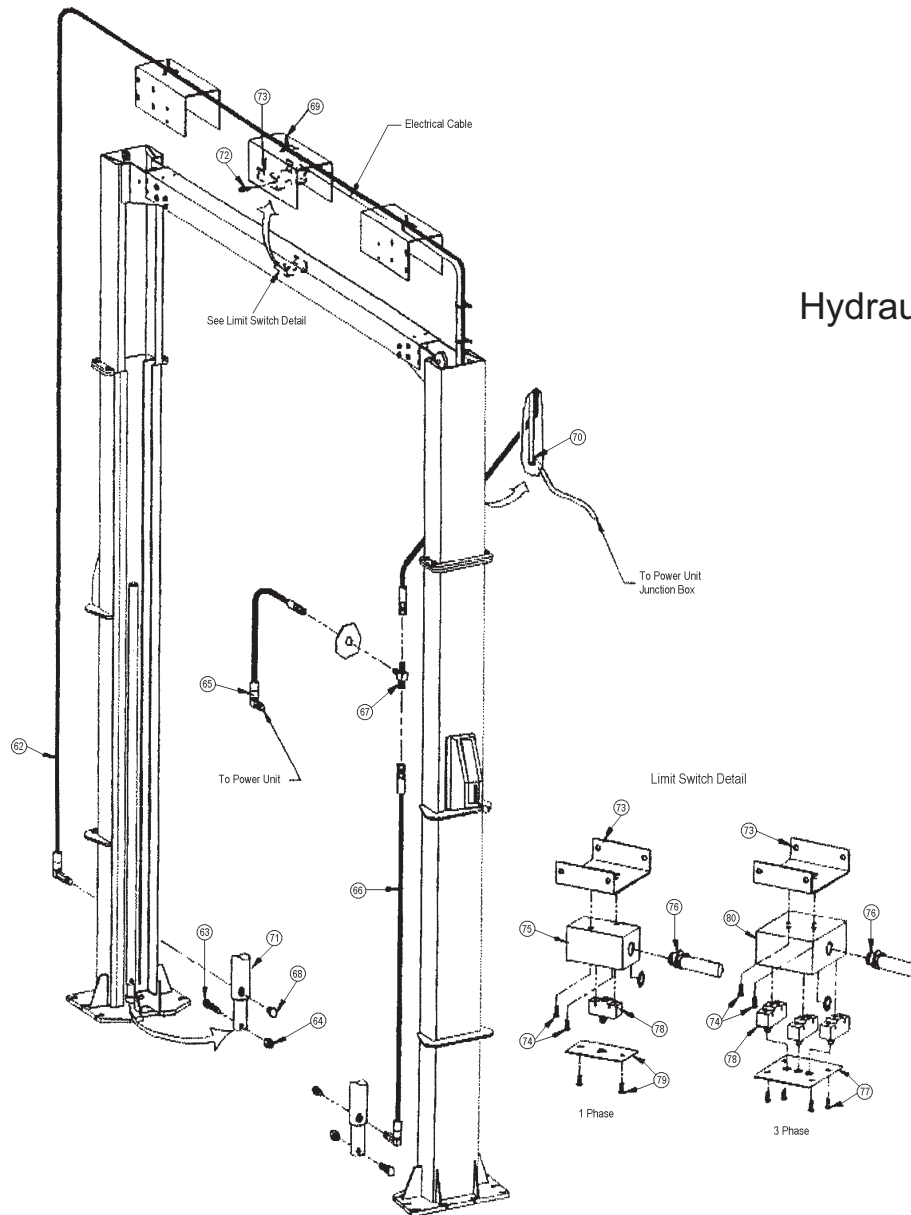
Carriage Arm Assembly



Item SVI #	OEM #	Req.	Description
40	BH-7110-01A	8	Slider Block
41	BH-7112-48	2	Carriage
42	BH-7103-05	4	Spring
43	BH-7103-06	4	Threaded Segment
44	BH-7103-04	4	Arm Lock Bar Short
45	BH-7102-12	4	Nylock Nut
46	BH-7110-48	4	Hex Screw
47	BH-7112-56	2	RH Arm
48	BH-7110-46	4	Arm Extension 7000#
49	BH-7110-84	4	Extension 2-5/8"
50	BH-7110-85	4	Extension 5"
51	BH-7112-49	4	Arm Extension 9000#
52	BH-7112-50	2	LH Arm

Item SVI #	OEM #	Req.	Description
53	BH-7101-01	4	Steel Adapter
54	BH-7101-00	4	Rubber Pad
55	F-HC-0312-18-0750100313	8	Hex Screw
56	BH-7102-76	4	Protector Strip
57	BH-7110-53	4	Pin
58	BH-7100-19	2	Equalizer Cable AO Series
58	BH-7112-57	2	Equalizer Cable AO-S Series
59	BH-7110-70	8	Hex Nut
60	BH-7100-35	2	Equalizer Cable AF Series
61	BH-7103-07	4	Retaining Ring
*	BH-7101-01C	4	Adapter Base and Pad Assy
Consists of items 53, 54, & 55			

for Model AO Mechanical



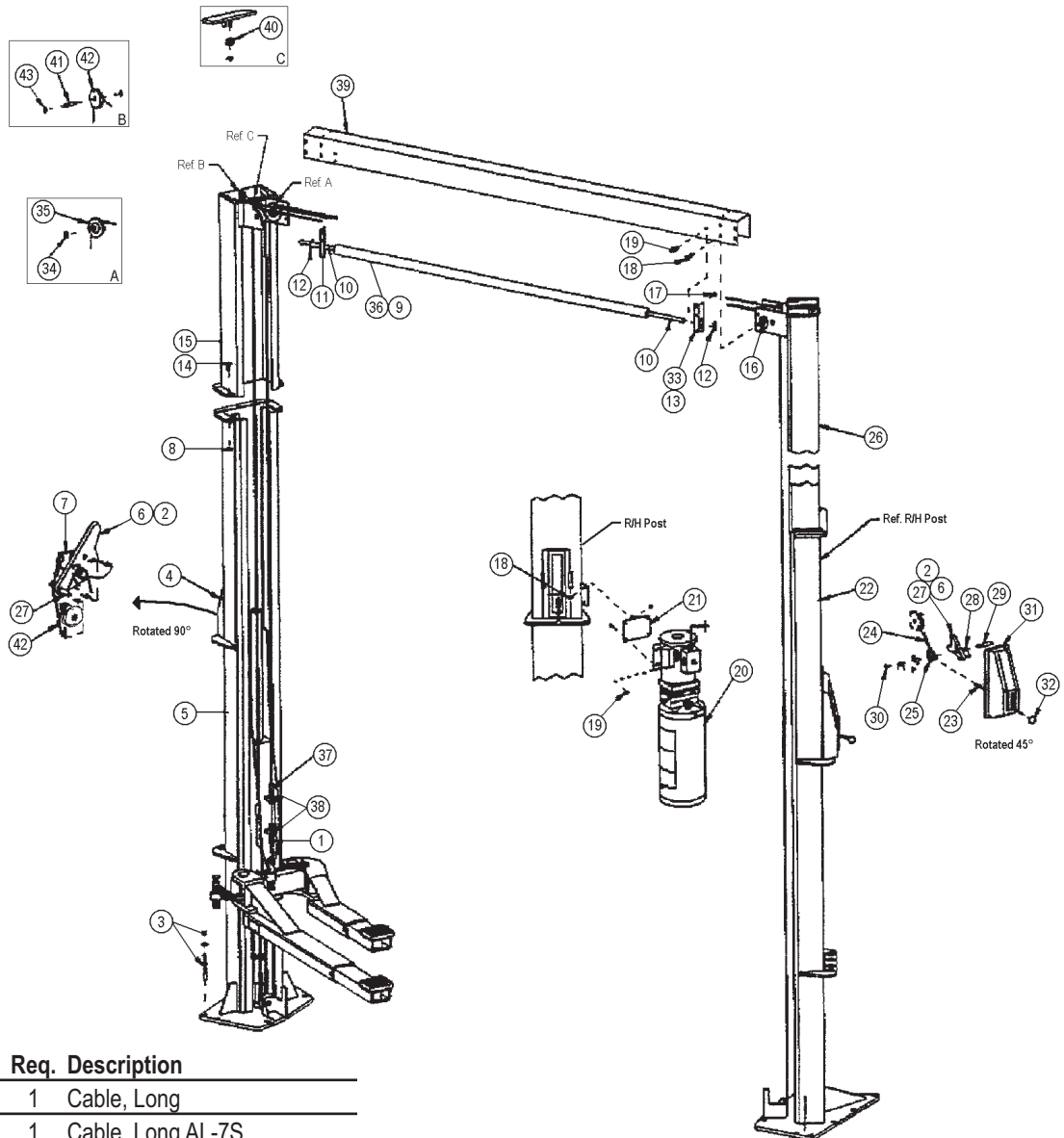
Hydraulic System

Item SVI #	OEM #	Req.	Description
62	BH-7102-90	84934	1 Hose Assembly
63	BH-7110-60	100312	2 Hex Screw
64	BH-7110-61	100068	2 Lock Nut
65	BH-7110-92	84935	1 Hose Assembly
66	BH-7102-89	84933	1 Hose Assembly
67	BH-7110-65	100355	1 Bulkhead Tee w/Nut
68	BH-7110-66	100026	2 Plug
69	BH-7110-67	100004	6 Ty-Wrap
70	BH-7110-68	84126	1 Grommet
71	BH-7100-62	82803	2 Hydraulic Cylinder

Item SVI #	OEM #	Req.	Description
72	BH-7110-60	100312	2 Hex Screw
73	BH-7110-93	85615	1 Mounting Bracket
74	BH-7110-94	100009	2 Hex Screw
75	BH-7110-95	85611	1 Single Phase Switch Box
76	BH-7110-96	85630	1 Strain Relief Bushing
77	BH-7110-97	85629	1 Three Phase Box Cover
78	BH-7004-19	80282	1 1 PH Microswitch
79	BH-7110-98	85628	1 Single Phase Box Cover
80	BH-7110-99	85631	1 Three Phase Switch Box



for Model AL-7
New Style

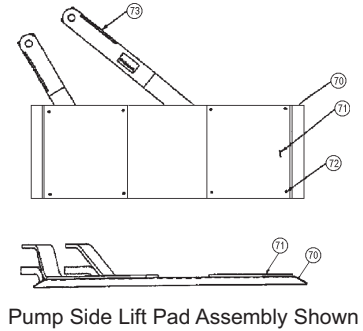
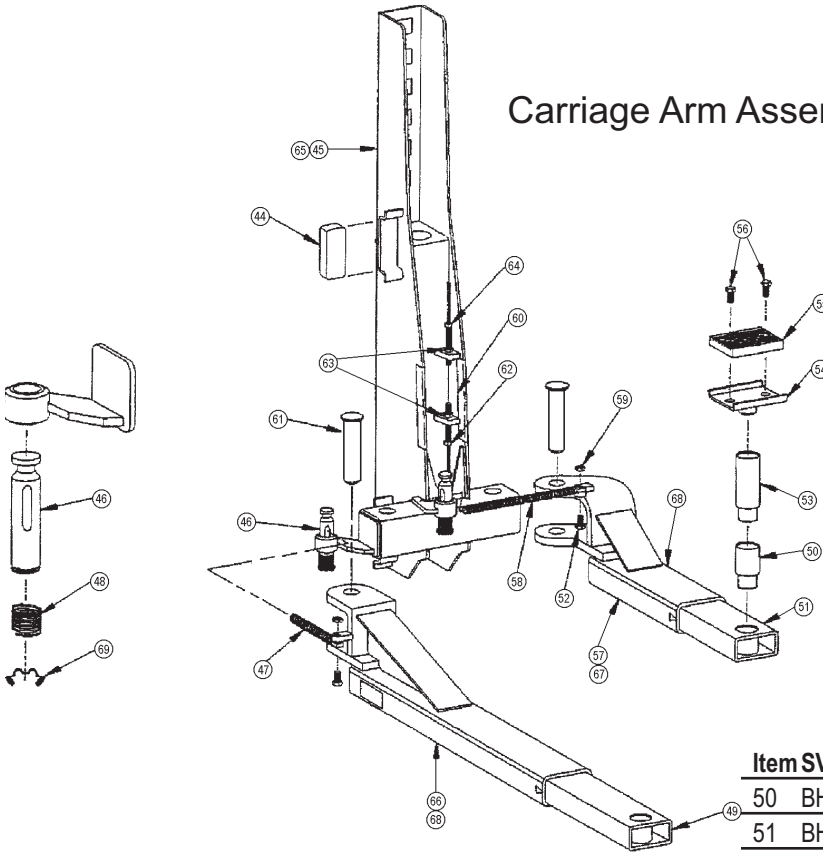


Item SVI #	OEM #	Req.	Description
1	BH-7106-02	84714	1 Cable, Long
1	BH-7103-11	84714-5	1 Cable, Long AL-7S
2	BH-7104-05	84837	1 Lock Latch Assy.
3	BH-7075-03L	80362	14 3/4" x 5-1/2" Anchor Bolt
4	BH-7101-36	83925	1 Guard, Offside
5	BH-7110-44	84425	1 Post, Offside
6	BH-7101-46	84836	2 Latch Assy.
7	BH-7100-40	84573	1 Safety Release Cable Assy.
8	BH-7110-82	100039	8 Nut, Hex 1/2" Washer Head
9	BH-7110-81	100363	1 Tubing, Bumper
10	BH-7110-80	84856	1 Pipe, Bumper
11	BH-7103-26	85632	1 LH Bracket
12	BH-7103-25	100362	2 End Clips
13	BH-7110-79	84885	1 Kit, Bumper
14	BH-7110-78	80453	8 Screw, Hex 1/2" Washer Head
15	BH-7110-36	84064	1 Extension, Post Offside
15	BH-7110-77	84064-5	1 Extension, Post Offside AL-7S

Item SVI #	OEM #	Req.	Description
16	BH-7110-76	100239	8 Nut, Hex 3/8 Self Locking
17	BH-7110-75	100237	12 Nut, Hex 5/16 Self Locking
18	BH-7110-74	100238	8 Screw, 3/8 Washer Head
19	BH-7110-73	100234	12 Screw, Hex 5/16
20	BH-7006-01		1 Power Unit 1PH, 2HP
20	BH-7006-03		1 Power Unit 3PH, 2HP
21	BH-7110-38	84434	1 Mounting Bracket
22	BH-7110-37	84426	1 Post, Pump Side
23	BH-7100-41	83906	1 Safety Release Handle
24	BH-7101-47	100357	1 Clamp for Lock Release Cable
25	BH-7103-08	84590	1 Cable Sear
26	BH-7110-39	84065	1 Extension, Post Pump Side
26	BH-7110-72	84065-5	1 Extension Pump Side AL-7S

**for Model AL-7
New Style**

Carriage Arm Assembly



Item SVI #	OEM #	Req.	Description
27	BH-7103-13	83911	1 Rod, Spring
28	BH-7110-15	100344	4 Torsion Spring
29	BH-7103-14	83908	2 Latch Shaft
30	BH-7110-34	100343	4 Retaining Ring
31	BH-7101-35	83924	1 Cover, Pump Side
32	BH-7100-42	320	1 Safety Release Ball for Lever
33	BH-7110-71	85633	1 RH Angle
34	BH-7104-10	100358	6 Retaining Ring
35	BH-7104-04	84395	6 Pulley
36	BH-7103-24	84859	1 Bumper Assy.
37	BH-7106-01	84713	1 Cable Short
37	BH-7103-10	84713-5	1 Cable Short AL-7S
38	BH-7110-70	100073	8 Cable Nut
39	BH-7103-23	83958	1 Overhead Beam
40	BH-7106-06	14710	2 Idler Pulley
41	BH-7104-09	83904	4 Pulley Shaft
42	BH-7104-08	83903	4 Idler Pulley
43	BH-7110-69	27112	8 E-Ring
44	BH-7110-1A	84926	8 Slider Block
45	BH-7110-83	85332	1 Carriage, Pump Side
46	BH-7103-06	85327	2 Threaded Segment
47	BH-7103-04	84186	2 Arm Lock Bar - Short
48	BH-7103-05	85329	4 Spring
49	BH-7110-46	84252	2 Arm Extension, Rear

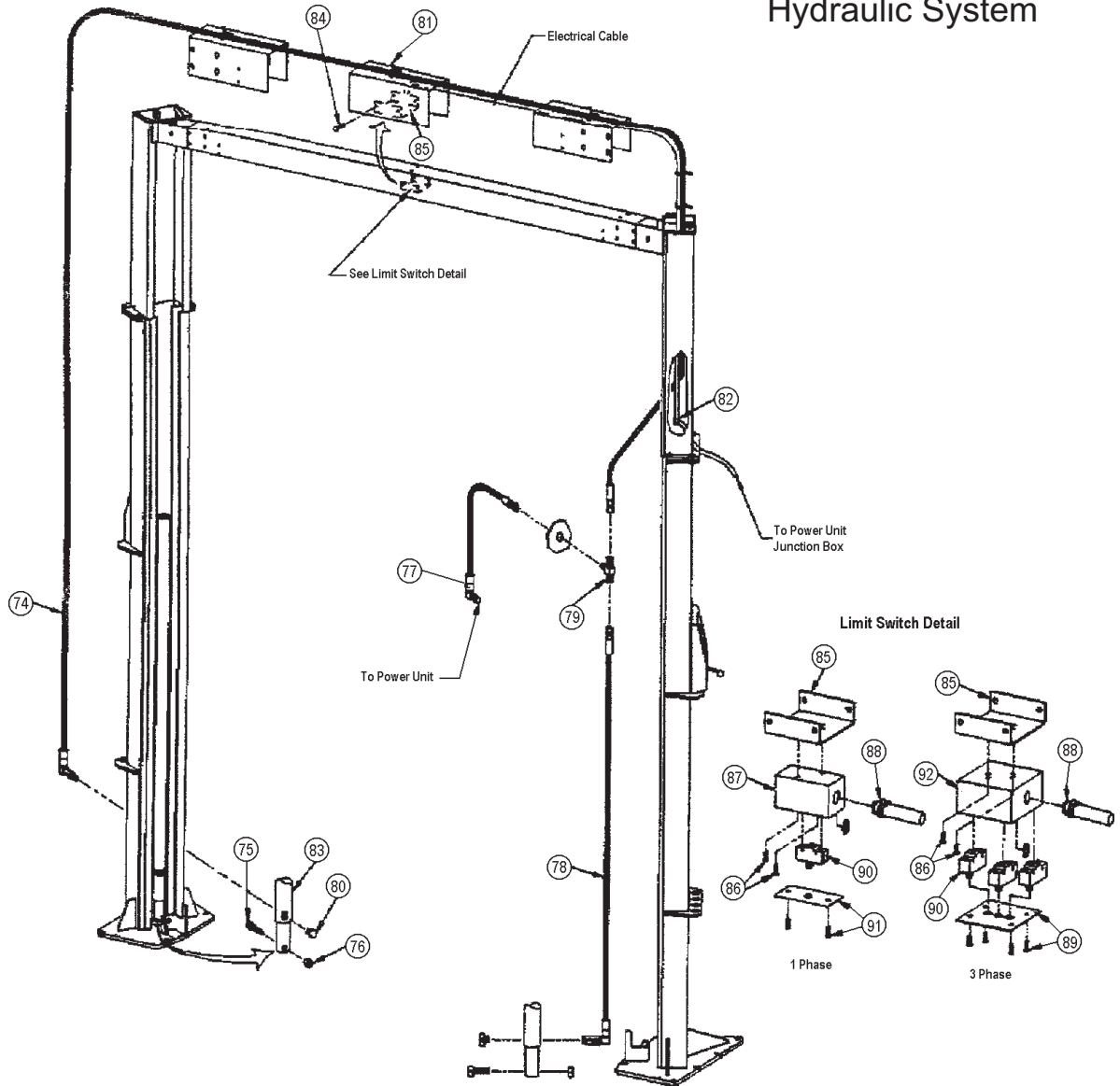
Item SVI #	OEM #	Req.	Description
50	BH-7110-84	27984	4 Extension, 2-5/8"
51	BH-7110-47	84218	2 Arm Extension, Short
52	BH-7110-48	100356	4 Screw, Hex 3/8" x 1-3/8"
53	BH-7110-85	27982	4 Extension, 5"
54	BH-7101-01	82361	4 Steel Adapter
55	BH-7101-00	82365	4 Rubber Arm Pad
56	F-HC-0312-18-0750100313	8	Capscrew, 5/16 x 3/4
*	BH-7101-01C	82591	4 Adapter Base & Pad Assy.
57	BH-7110-86	85434	1 Arm, Front Pump Side
58	B-7103-03	84415	2 Arm Lock Bar - Long
59	F-NL-0375-16	81082	4 Nylock Nut, 3/8"
60	BH-7102-76	84572	4 Guard, Door
61	BH-7110-53	84411	4 Pin
62	BH-7106-02	84714	1 Cable, Long
62	BH-7103-11	84714-5	1 Cable Long AL-7S
63	BH-7110-70	100073	8 Hex Nut
64	BH-7106-01	84713	1 Cable Short
64	BH-7103-10	84713-5	1 Cable Short AL-7S
65	BH-7110-87	85333	1 Carriage, Off Side
66	BH-7110-88	85438	1 Arm, Rear Pump Side
67	BH-7110-89	85433	1 Arm, Front Off Side
68	BH-7110-90	85437	1 Arm, Rear Off Side
69	BH-7103-07	85328	4 Retaining Ring
70	BH-7111-00	85162	1 Pad Assy. Pump Side
70	BH-7111-01	85163	1 Pad Assy. Off Side
71	BH-7101-43	27480	4 Rubber Pad
72	BH-7111-02	27041	16 Self Tapping Screw
73	BH-7111-03	84998	4 Rubber Molding

*Consists of items 54, 55 & 56



for Model AL-7
New Style

Hydraulic System

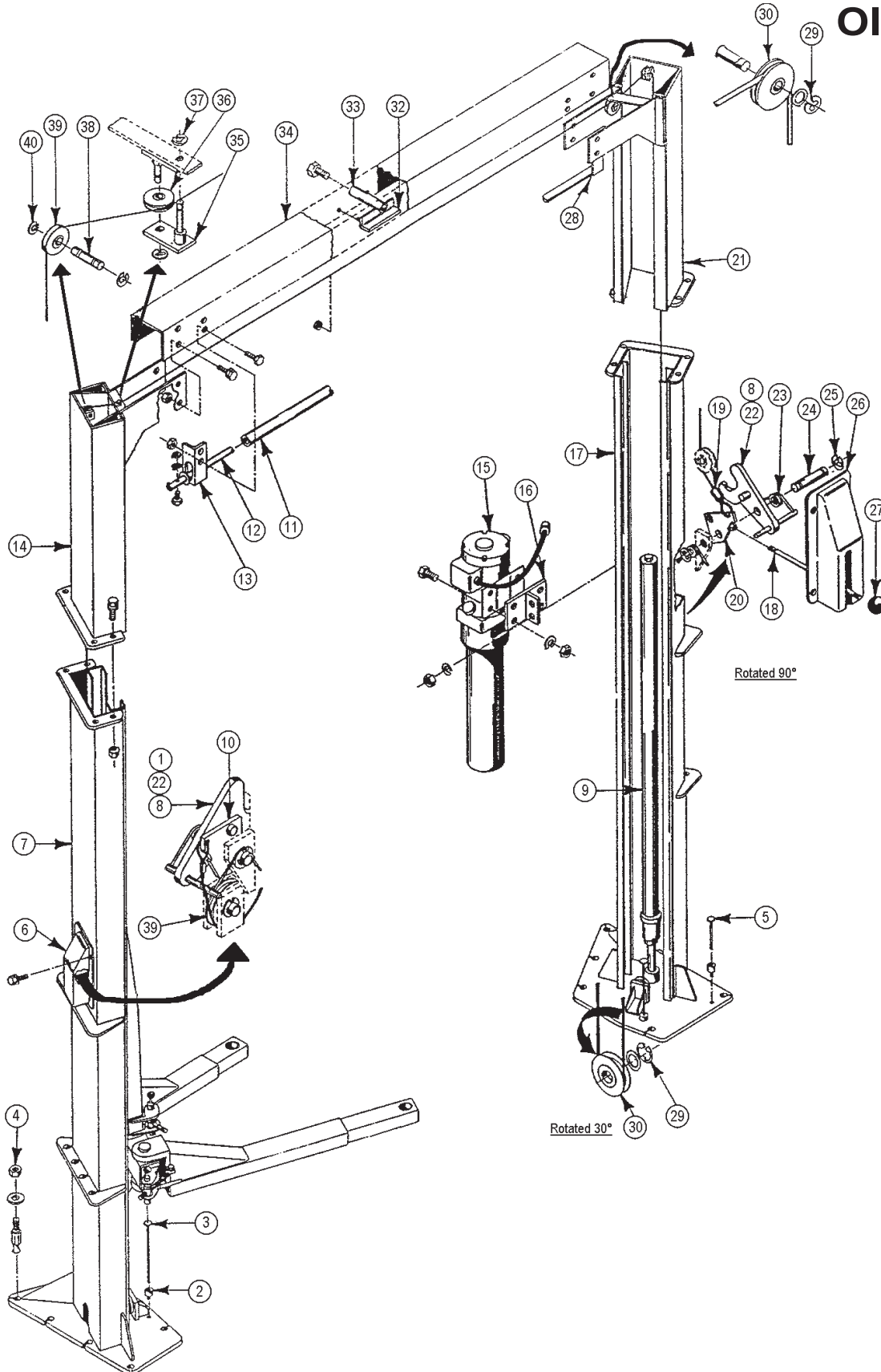


Item SVI #	OEM #	Req	Description
74	BH-7110-91	84932	1 Hose Assembly
75	BH-7110-60	100312	2 Hex Screw
76	BH-7110-61	100068	2 Locknut
77	BH-7110-92	84935	1 Hose Assembly
78	BH-7102-89	84933	1 Hose Assembly
79	BH-7110-65	100355	1 Tee, Bulkhead w/Nut
80	BH-7110-66	100026	2 Plug
81	BH-7110-67	100004	6 Ty-Wrap
82	BH-7110-68	84126	1 Grommet
83	BH-7100-62	82803	2 Cylinder

Item SVI #	OEM #	Req	Description
84	BH-7110-60	100312	2 Hex Screw
85	BH-7110-93	85615	1 Mounting Bracket
86	BH-7110-94	100009	2 Hex Screw
87	BH-7110-95	85611	1 Switch Box Single Phase
88	BH-7110-96	85630	1 Strain Relief Bushing
89	BH-7110-97	85629	1 Box Cover Three Phase
90	BH-7004-19	80282	1 Microswitch
91	BH-7110-98	85628	1 Box Cover Single Phase
92	BH-7110-99	85631	1 Switch Box Three Phase

P
a
g
e

**for Model AL-7
Old Style**





for Model AL-7 Old Style

Table with 4 columns: Item SVI #, OEM #, Req., Description. Lists parts 1-19 including Lock Latch, Rubber Mount, Long Release Rod, etc.

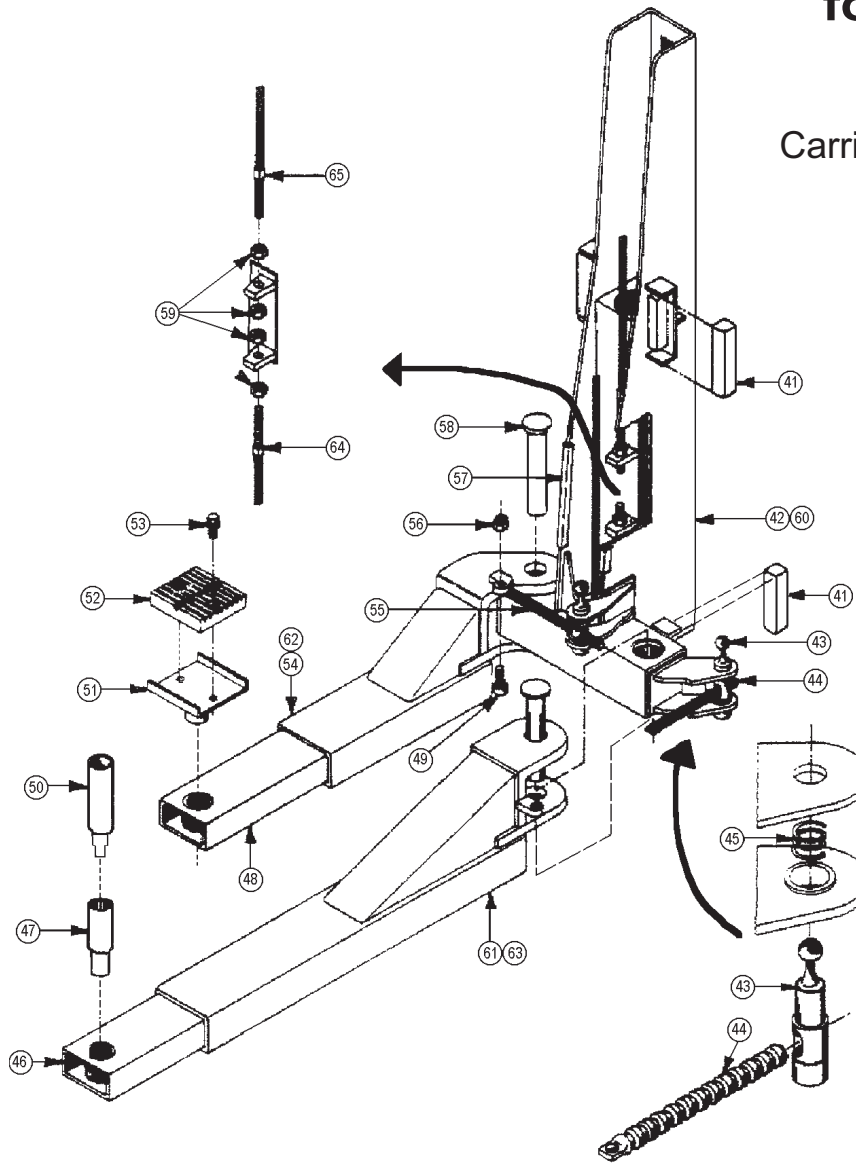
Table with 4 columns: Item SVI #, OEM #, Req., Description. Lists parts 20-40 including Cable Sear, Extension, Post Pump Side, Rod Spring, etc.



Your One-Stop Shop

**for Model AL-7
Old Style**

Carriage Arm Assembly

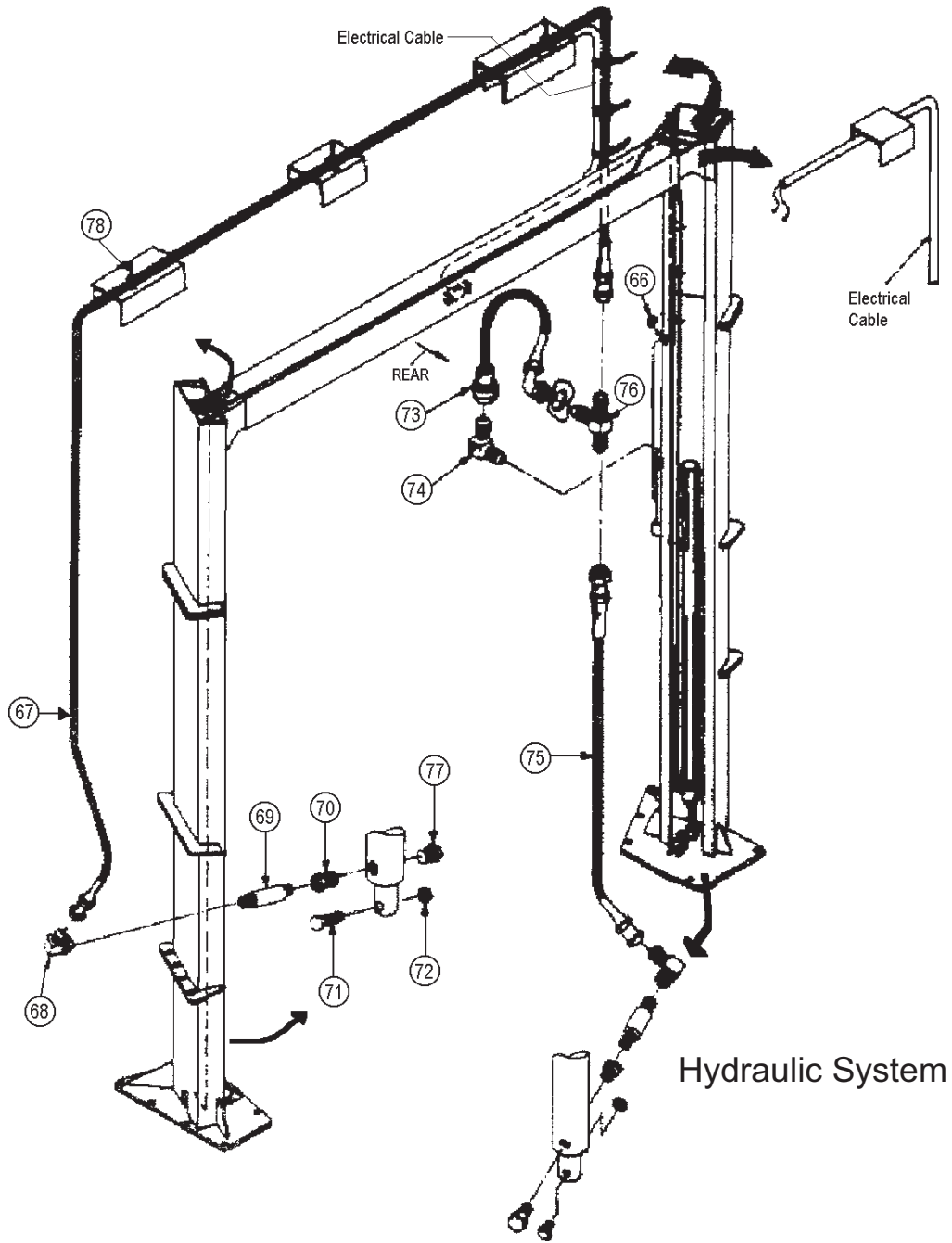


Item SVI #	OEM #	Req.	Description
41	BH-7110-01	82816	8 Carriage Slider Block Square
42	BH-7110-45	84452	1 Carriage Passenger Side
43	BH-7103-09	84386	4 Threaded Segment
44	BH-7103-04	84186	2 Arm Lock Bar Short
45	BH-7100-45	84387	4 Spring
46	BH-7110-46	84252	2 Arm Extension Rear
47	BH-7101-02	81693	4 Extension 2-5/8"
48	BH-7110-47	84218	2 Arm Extension Front
49	BH-7110-48	100356	4 Hex Screw 3/8" x 1-3/8"
50	BH-7101-03	81691	4 Extension 5"
51	BH-7110-49	27981	4 Holder Pad
52	BH-7101-00	82365	4 Rubber Arm Pad
53	F-HC-0312-18-0750	100313	8 Capscrew, 5/16 x 3/4

Item SVI #	OEM #	Req.	Description
54	BH-7110-51	84203	1 Arm Front Passenger Side
55	BH-7103-03	84415	2 Arm Lock Bar Long
56	BH-7110-52	11273	4 Nylock 3/8"
57	BH-7102-76	84572	4 Guard Door
58	BH-7110-53	84411	4 Pin
59	BH-7110-54	100157	8 Nut
60	BH-7110-55	84453	1 Carriage Driver Side
61	BH-7110-56	84242	1 Arm Rear
62	BH-7110-57	84221	1 Arm Front Driver Side
63	BH-7110-58	84237	1 Arm Rear Driver Side
64	BH-7106-01	84713	1 Cable, Short
65	BH-7106-02	84714	1 Cable, Long



for Model AL-7
Old Style



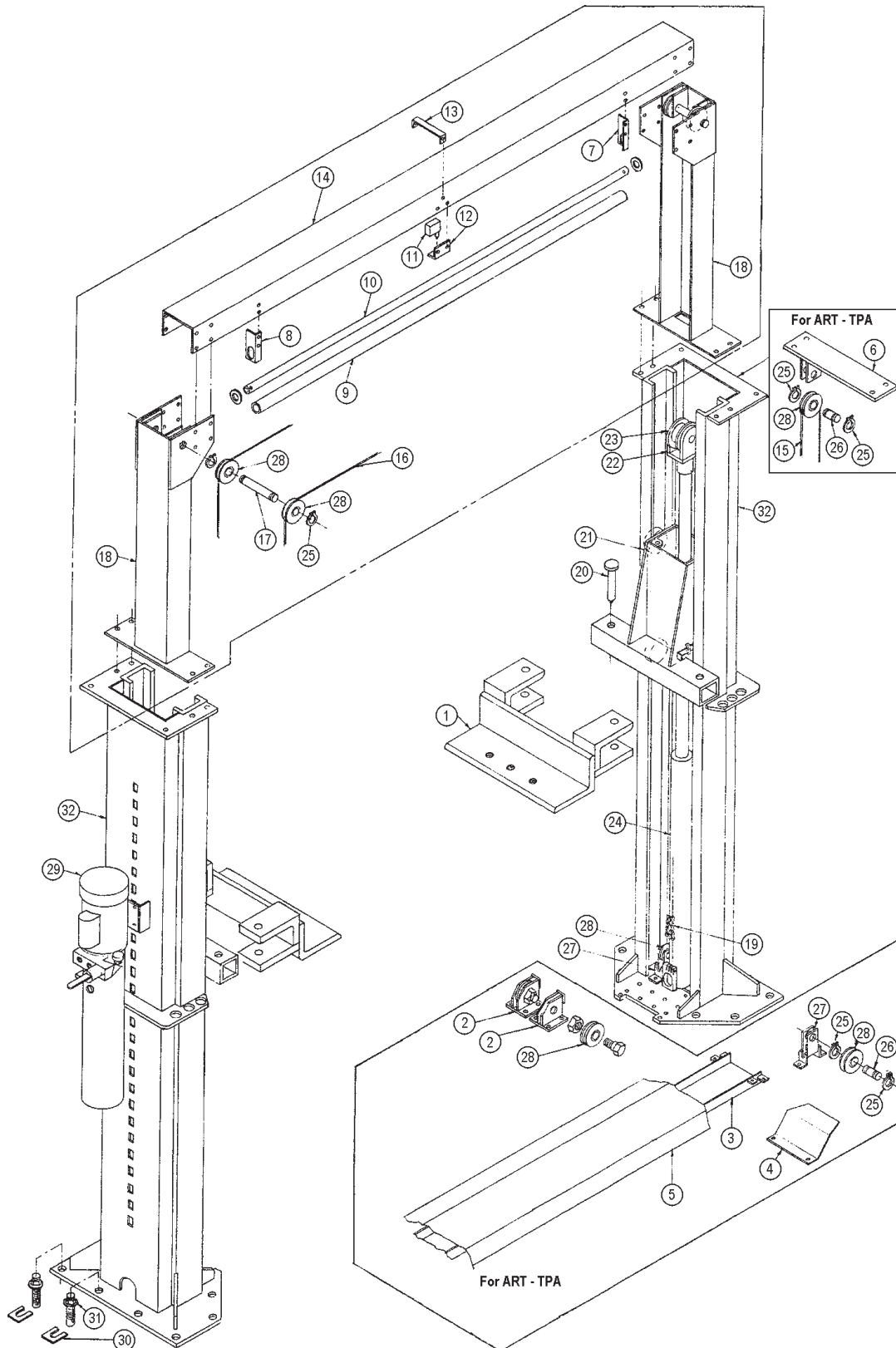
Hydraulic System

Item SVI #	OEM #	Req.	Description
66	BH-7110-68	84126	1 Grommet
67	BH-7110-59	84535	1 Hose Assembly
68	BH-7102-93	100227	2 Elbow
69	BH-7102-94	100341	2 Pipe Nipple
70	BH-7102-92	80992	2 Female Adapter
71	BH-7110-60	100312	2 Hex Screw
72	BH-7110-61	100068	2 Locknut

Item SVI #	OEM #	Req.	Description
73	BH-7110-62	84547	1 Hose Assembly
74	BH-7110-63	82056	1 Elbow Adapter
75	BH-7110-64	84543	1 Hose Assembly
76	BH-7110-65	100355	1 Tee Bulkhead w/Nut
77	BH-7110-66	100026	2 Plug
78	BH-7110-67	100004	6 Ty-Wrap

P
a
g
e

for Models ART, ARTO, TPA, TPAO





for Models ART, ARTO, TPA, TPAO

Table with 4 columns: Item SVI #, OEM #, Req., Description. Lists 18 items including Bolster Support Structure, Idler Support Structure, Trough Structure, etc.

Table with 4 columns: Item SVI #, OEM #, Req., Description. Lists 14 items including Chain, Pin, Carriage Assy, Hydraulic Cylinder, etc.

BALTIMORE



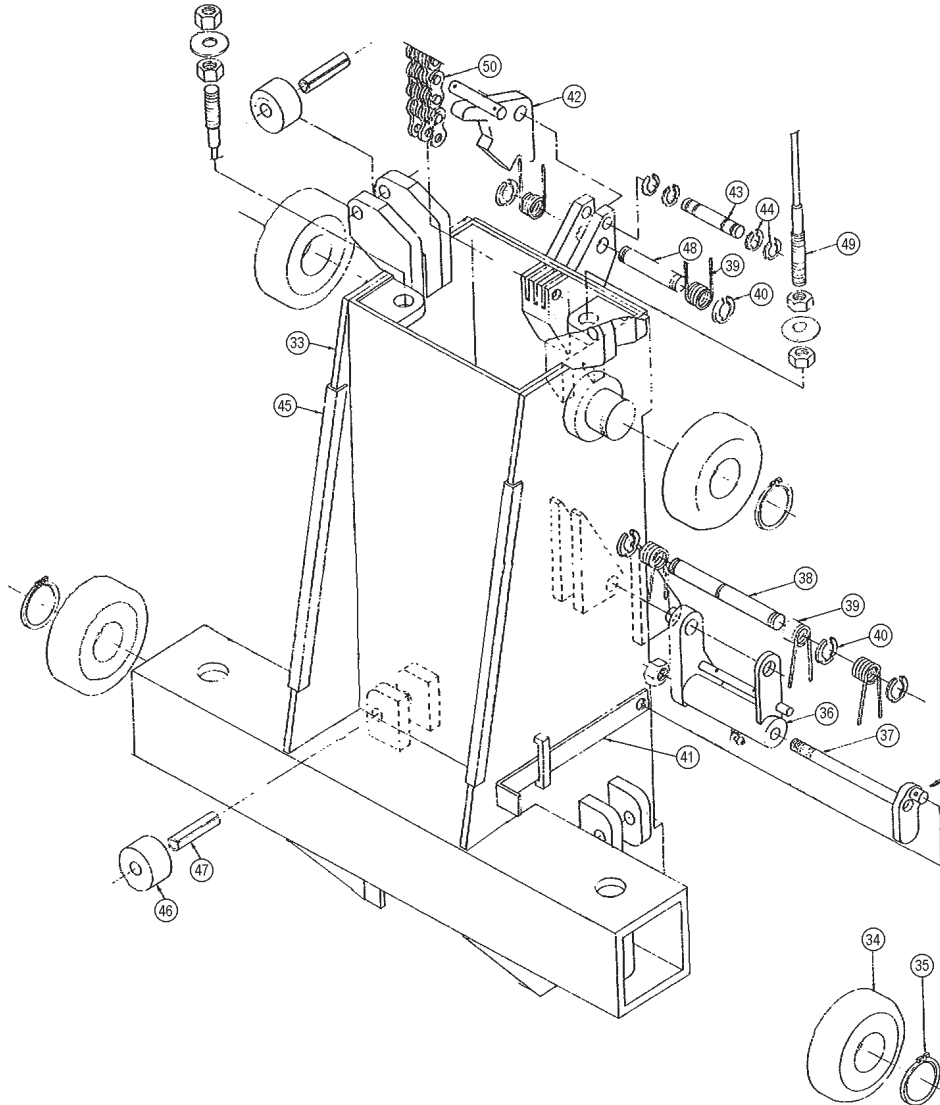
LOS ANGELES

CHICAGO

THREE "READY SHIP" WAREHOUSE LOCATIONS

for Models ART, ARTO, TPA, TPAO

Carriage Arm Assembly



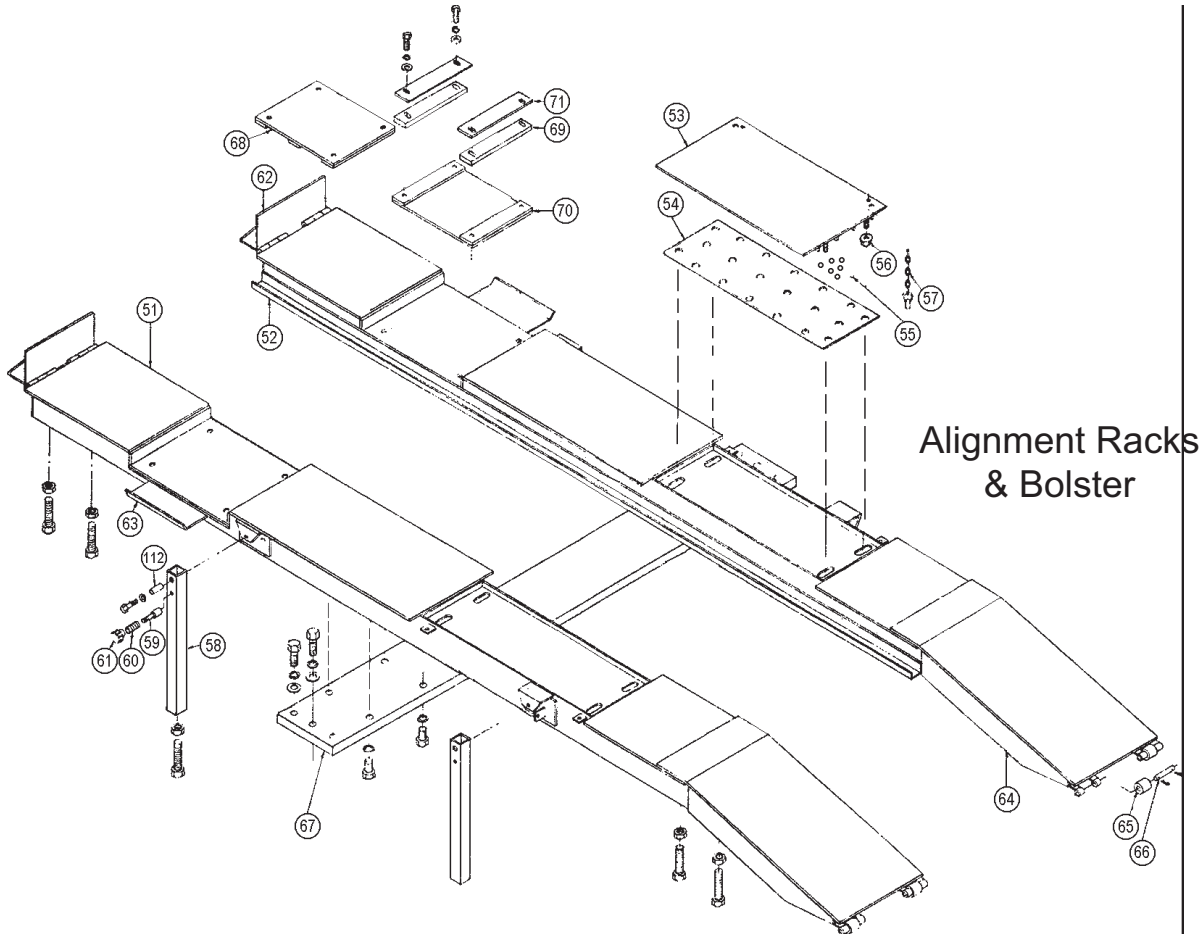
Item SVI #	OEM #	Req.	Description
- BH-7111-07	81824	2	Carriage Assy (#'s 33-48)
33 BH-7111-48	82310	1	Carriage Structure
34 BH-7110-03	81446	4	Carriage Roller
35 BH-7111-49	100089	4	Retaining Ring 1-3/8
36 BH-7102-47	82756	1	Latch Assembly
37 BH-7102-48	81842	1	Cam Structure
38 BH-7111-50	82760	1	Pivot Latch Shaft
39 BH-7100-90	80739	5	Torsion Spring
40 BH-7100-85	80738	5	Retaining Ring 1/2
41 BH-7102-36	81849	1	Lever

Item SVI #	OEM #	Req.	Description
42 BH-7101-24	82171	1	Latch Structure
43 BH-7111-51	82173	1	Latch Pin
44 BH-7100-86	80683	4	Retaining Ring 3/8
45 BH-7111-52	81850	2	Bumper Pad
46 BH-7606-20	80176	4	Carriage Roller Bearing
47 F-RP-437-2000	100302	4	Roll Pin
48 BH-7102-10	80737	1	Shaft
49 BH-7100-01	81926	1	Cable Assy (Floor)
49 BH-7100-06	81927	1	Cable Assy (Overhead)
50 BH-7111-08	81823	1	Chain

P
a
g
e



for Models ART, ARTO



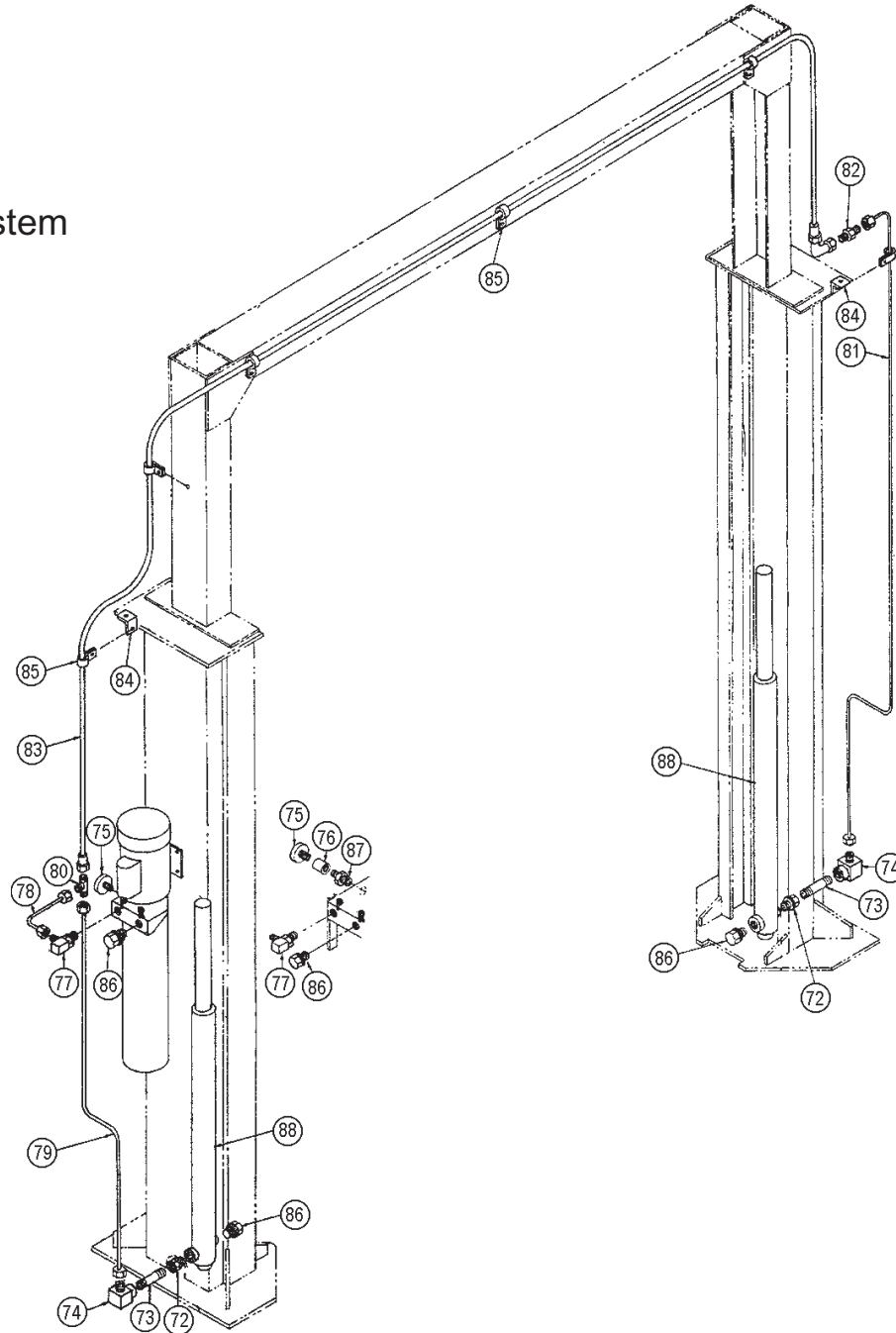
Item SVI #	OEM #	Req.	Description
51	BH-7111-20 83313	1	LH Track Structure
52	BH-7111-21 83314	1	RH Track Structure
53	BH-7111-22 83211	2	Cover Structure Slip Plate
54	BH-7107-01 83215	2	Slip Plate Retainer Sheet
55	BH-7107-02 81529	50	Ball Bearing - Retainer
56	F-LN-0500-13 83126	8	1/2-13 Lock Nut
57	BH-7111-24 83243	4	Pin Chain
58	BH-7111-25 83218	4	Leg Structure 30" Long
58	BH-7111-26 83277	4	Leg Structure 24" Long
59	BH-7101-07 83221	4	Pull Pin
60	BH-7101-08 100290	4	Compression Spring
61	BH-7101-09 60698	4	Knob
62	BH-7111-27 83460	2	Front Stop & Chock Structure
63	BH-7111-28 83228	2	Plate Stand
64	BH-7111-29 83231	2	Ramp Structure
65	BH-7111-30 83237	4	Roller
66	BH-7111-31 83238	4	Pin Roller
67	BH-7111-32 83279	1	Bolster
112	BH-7101-12 83222	4	Tube Spacer

Item SVI #	OEM #	Req.	Description
-	BH-7111-33 83247	1	Turntable Mounting Pkg Ammco/FMC/Hunter/Bee Line
68	BH-7111-38 83252	2	Spacer Structure / Ammco ...
69	BH-7111-40 83256	4	Adjusting Bar 1/2" / Ammco ...
-	BH-7111-34 83248	1	Turntable Mounting Pkg/Bear
70	BH-7111-39 83257	2	Spacer Structure / Bear
69	BH-7111-41 83259	4	Adjusting Bar 1/2" / Bear
71	BH-7111-42 82360	4	Adjusting Bar 1/8" / Bear
-	BH-7111-35 83249	1	Turntable Mounting Pkg / Bender
69	BH-7111-43 83261	4	Adjusting Bar 1/2" / JH Bender
71	BH-7111-44 83262	4	Adjusting Bar 1/4" / JH Bender
-	BH-7111-36 83250	1	Turntable Mounting Pk/Bishamon
70	BH-7111-39 83257	2	Spacer Structure / Bishamon
71	BH-7111-45 83263	4	Adjusting Bar 1/4" / Bishamon
-	BH-7111-37 83251	1	Turntable Mounting Pkg Snap on
69	BH-7111-46 83264	4	Adjusting Bar 1/2" Snap-On
71	BH-7111-47 83265	4	Adjusting Bar 1/4" Snap-On

P
a
g
e

for Models ARTO, TPAO

Hydraulic System



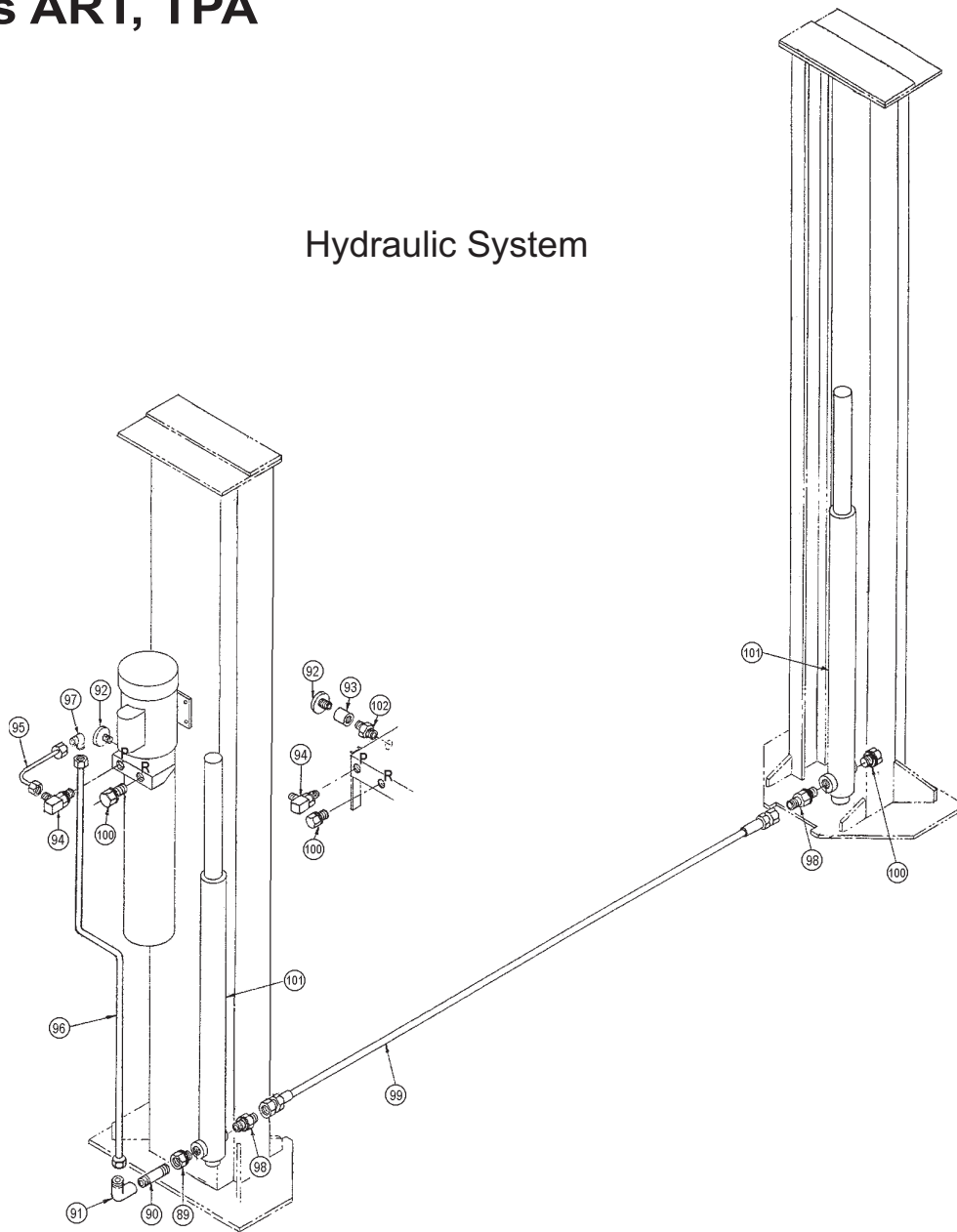
Item SVI #	OEM #	Req.	Description
72	BH-7102-92	80992	2 Female Adapter
73	BH-7111-64	100225	2 Pipe Nipple 1/4 x 5
74	BH-7102-93	100227	2 90° Elbow
75	BH-7101-61	80124	1 Dry Pressure Gauge
76	BH-7111-65	82066	1 Coupling (MTE Only)
77	BH-7110-63	82056	1 90° Male Elbow
78	BH-7111-66	82198	1 Tube Assy Upper 1/2 OD
79	BH-7111-67	82200	1 Tube Assy Lower 1/2 OD

Item SVI #	OEM #	Req.	Description
80	BH-7111-72	100226	1 Union Tee 3/4-16 JIC
81	BH-7111-73	81898	1 Tube Assy Offside 1/2 OD
82	BH-7111-74	100230	1 Union Connector 3/4-16 JIC
83	BH-7111-75	81900	1 Hose Assy 3/8 ID x 3/4-16
84	BH-7111-76	81901	2 Hose Clamp Bracket
85	BH-7111-77	61412	6 Hose Clamp
86	BH-7110-66	100026	5 Hex Head Plug
87	BH-7111-71	61496	1 Hex Nipple (MTE Only)
88	BH-7100-63	81921	2 Hydraulic Cylinder



for Models ART, TPA

Hydraulic System

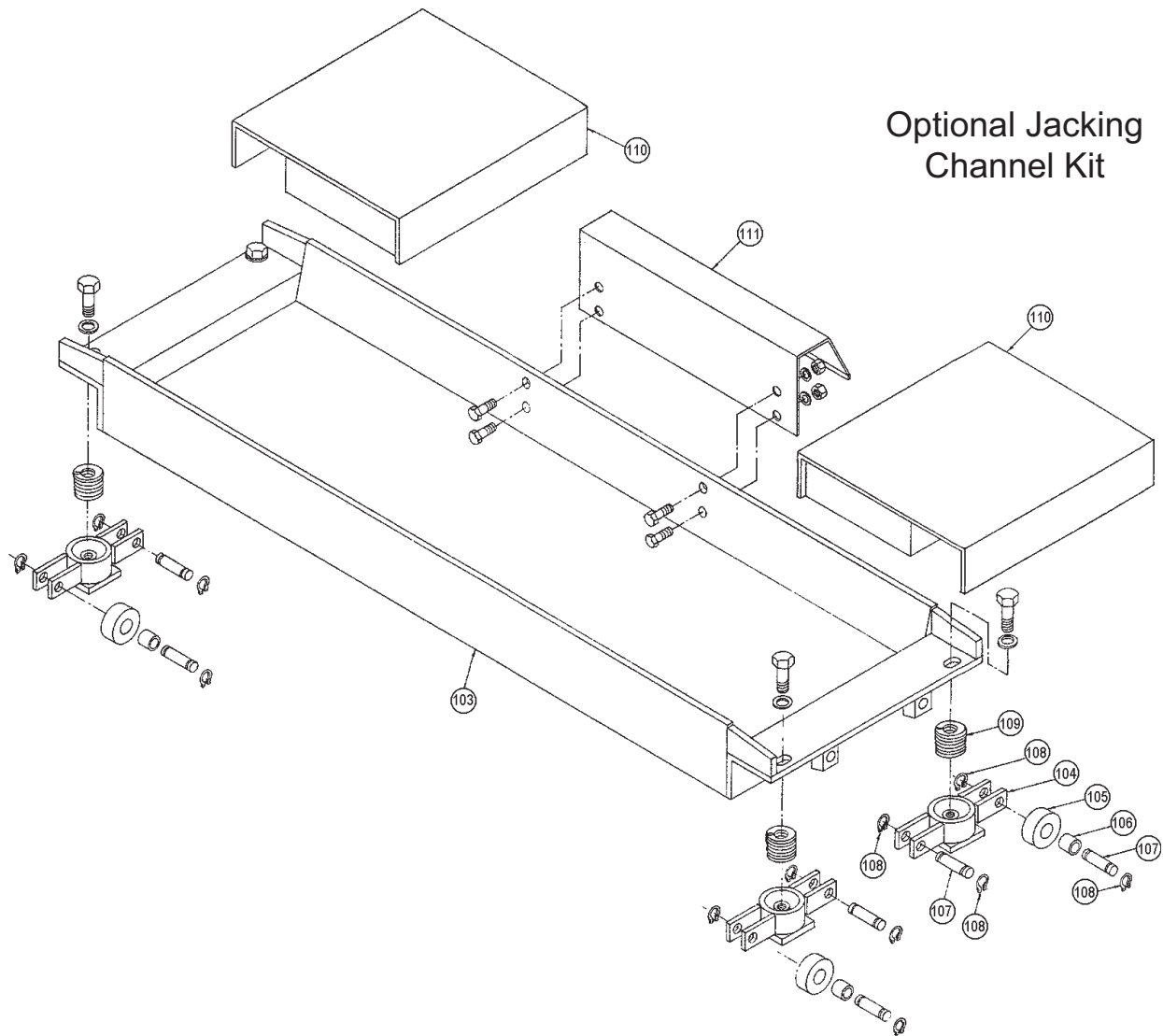


P
a
g
e

Item SVI #	OEM #	Req.	Description
96	BH-7111-67	82200	1 Tube Assy Lower 1/2 OD
97	BH-7111-68	81929	1 90° Elbow
98	BH-7111-69	60544	2 Tube Union
99	BH-7111-70	81916	1 Hose Assy 3/8
100	BH-7110-66	100026	2 Hex Head Plug
101	BH-7100-63	81921	2 Hydraulic Cylinder
102	BH-7111-71	61496	1 Hex Nipple (MTE Only)

Item SVI #	OEM #	Req.	Description
89	BH-7102-92	80992	1 Female Adapter
90	BH-7111-64	100225	1 Pipe Nipple 1/4 x 5
91	BH-7102-93	100227	1 90° Elbow
92	BH-7101-61	80124	1 Dry Pressure Gauge
93	BH-7111-65	82066	1 Coupling (MTE Only)
94	BH-7110-63	82056	1 90° Male Elbow
95	BH-7111-66	82198	1 Tube Assy Upper 1/2 OD

for Models ART, ARTO, TPA, TPAO

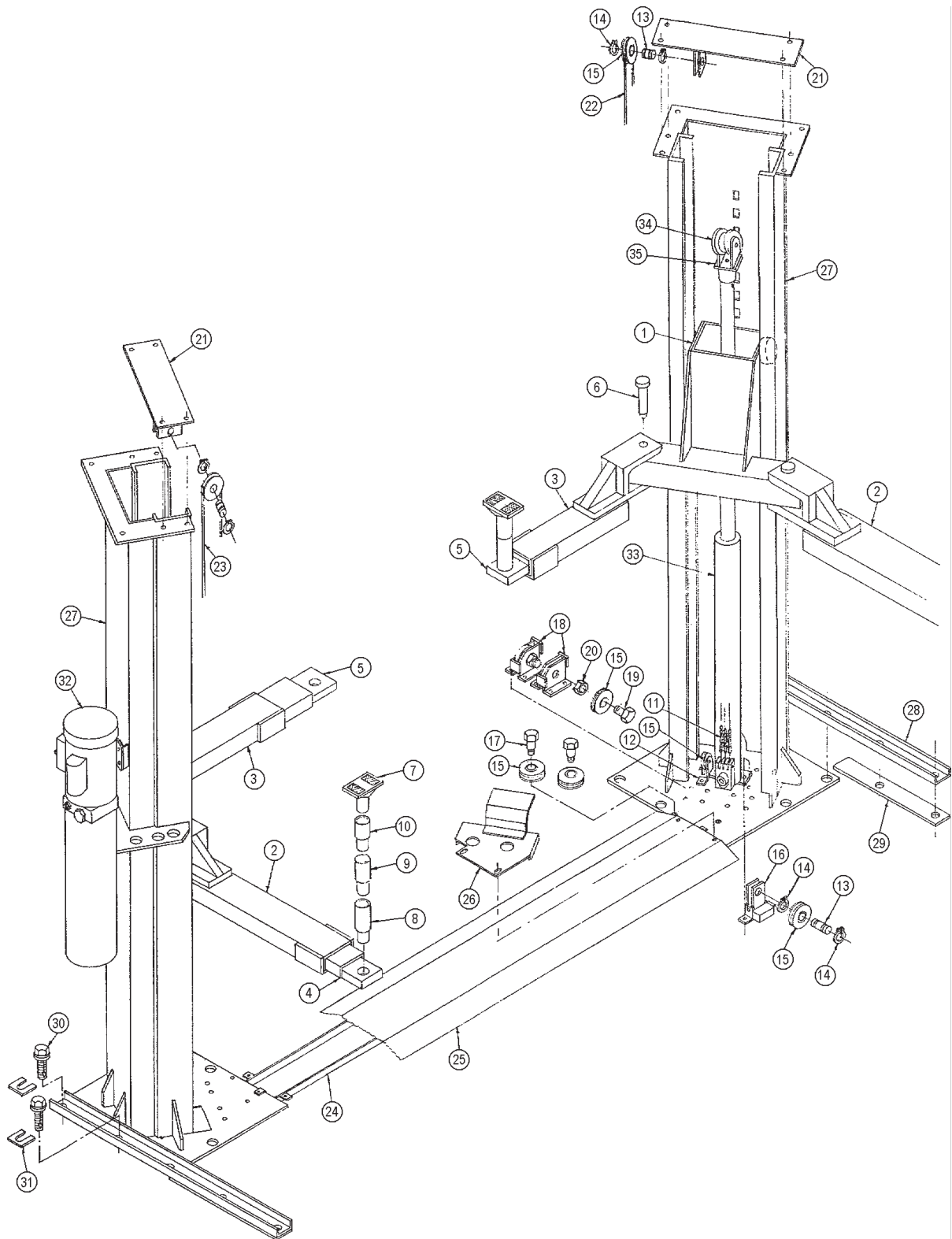


Item SVI #	OEM #	Req.	Description
- BH-7111-53	83472	1	Jacking Channel
One Channel Consists of:			
- BH-7111-54	83473	1	Jacking Channel Assy
103 BH-7111-55	83413	1	Jacking Channel Structure
104 BH-7111-56	81550	4	Spring Support Structure
105 BH-7111-57	81556	4	Roller

Item SVI #	OEM #	Req.	Description
106 BH-7111-58	81557	4	Bronze Bushing
107 BH-7111-59	81558	8	Pin
108 BH-7111-60	81559	16	Retaining Ring
109 BH-7111-61	81555	4	Die Spring
110 BH-7111-62	81570	2	Jack Support Structure
111 BH-7111-63	81574	1	Shield



for Models LAS 7, LAS 9





for Models LAS 7, LAS 9

Item SVI #	OEM #	Req.	Description
1	BH-7111-07	81824	2 Carriage Assy See Breakdown
2	BH-7115-25	82277	2 Long Lift Arm Structure
3	BH-7115-26	82279	2 Short Lift Arm Structure
4	BH-7115-27	82283	2 Long Arm Extension Structure
5	BH-7115-28	82285	2 Short Arm Extension Structure
6	BH-7101-06	81885	4 Pin
7	BH-7115-34	81690	4 Pad
8	BH-7101-03	81691	4 5" Height Extension
9	BH-7101-04	81692	4 3-1/2" Height Extension
10	BH-7101-02	81693	4 2-5/8" Height Extension
11	BH-7111-08	81823	2 Chain
12	BH-7111-05	81816	2 Idler Support Structure
13	BH-7100-00B	81819	6 Idler Pin
14	BH-7100-00C	80864	12 Retaining Ring
15	BH-7100-00	81924	14 Nylon Cable Sheave
or	BH-7100-00S	81924	14 Steel Calbe Sheave
16	BH-7115-35	82480	2 Idler Support Structure, Lower
17	BH-7115-36	82276	4 Shoulder Screw
18	BH-7111-18	81940	4 Idler Support Structure, Auxiliary
19	BH-7111-63	81976	4 Shoulder Screw
20	BH-7113-83	81977	4 Nylock Nut
21	BH-7111-14	81917	2 Support Structure Top Idler

Item SVI #	OEM #	Req.	Description
22	BH-7100-11	82746	1 Cable Assy Short Front LAS 7
22	BH-7100-02	82274	1 Cable Assy Short Front LAS 9
23	BH-7100-12	82747	1 Cable Assy Long Rear LAS 7
23	BH-7100-03	82275	1 Cable Assy Long Rear LAS 9
24	BH-7115-37	82298	1 Trough Structure
25	BH-7115-38	82330	1 Drive Over Cover
26	BH-7115-39	82574	1 Cover Structure RH
*	BH-7115-40	82573	1 Cover Structure LH
27	BH-7115-22	82713	2 Post Structure
28	BH-7115-23	72312	2 Channel Stiffener
29	BH-7115-24	82313	2 Spacer Bar
30	BH-7075-03L	80362	18 3/4 x 5-1/2 Wedge Anchor
31	BH-7512-92	81709	1 Shim Kit 150 pcs, 3 Sizes
32	BH-7006-01		1 Power Unit 1 PH, 2 HP
33	BH-7100-61	81821	2 Hydraulic Cylinder LAS 7
33	BH-7100-63	81921	2 Hydraulic Cylinder LAS 9
-	BH-7100-3781821CK	1	Seal Kit LAS 7
-	BH-7115-5081921CK	1	Seal Kit LAS 9
34	BH-7100-51	82714	2 Cylinder Yoke Assembly
35	BH-7111-06	80675	2 Cylinder End Structure
	BH-7101-95	80227	2 Spacer Roller
	BH-7114-60	81822	2 Cylinder End Pin
	BH-7100-00C	80864	4 Retaining Ring

Hydraulic System

See page 26 for breakdown.

Item SVI #	OEM #	Req.	Description
36	BH-7102-92	80992	1 Female Adapter
37	BH-7111-64	100225	1 Pipe Nipple
38	BH-7102-93	100227	1 90° Elbow
39	BH-7101-61	80124	1 Dry Pressure Gauge
40	BH-7111-65	82066	1 Coupling (MTE Only)
41	BH-7111-71	64196	1 Hex Nipple
42	BH-7111-66	82198	1 Tube Assy Upper
43	BH-7111-67	82200	1 Tube Assy
44	BH-7111-68	81929	1 90° Elbow
45	BH-7111-69	60544	2 Tube Union

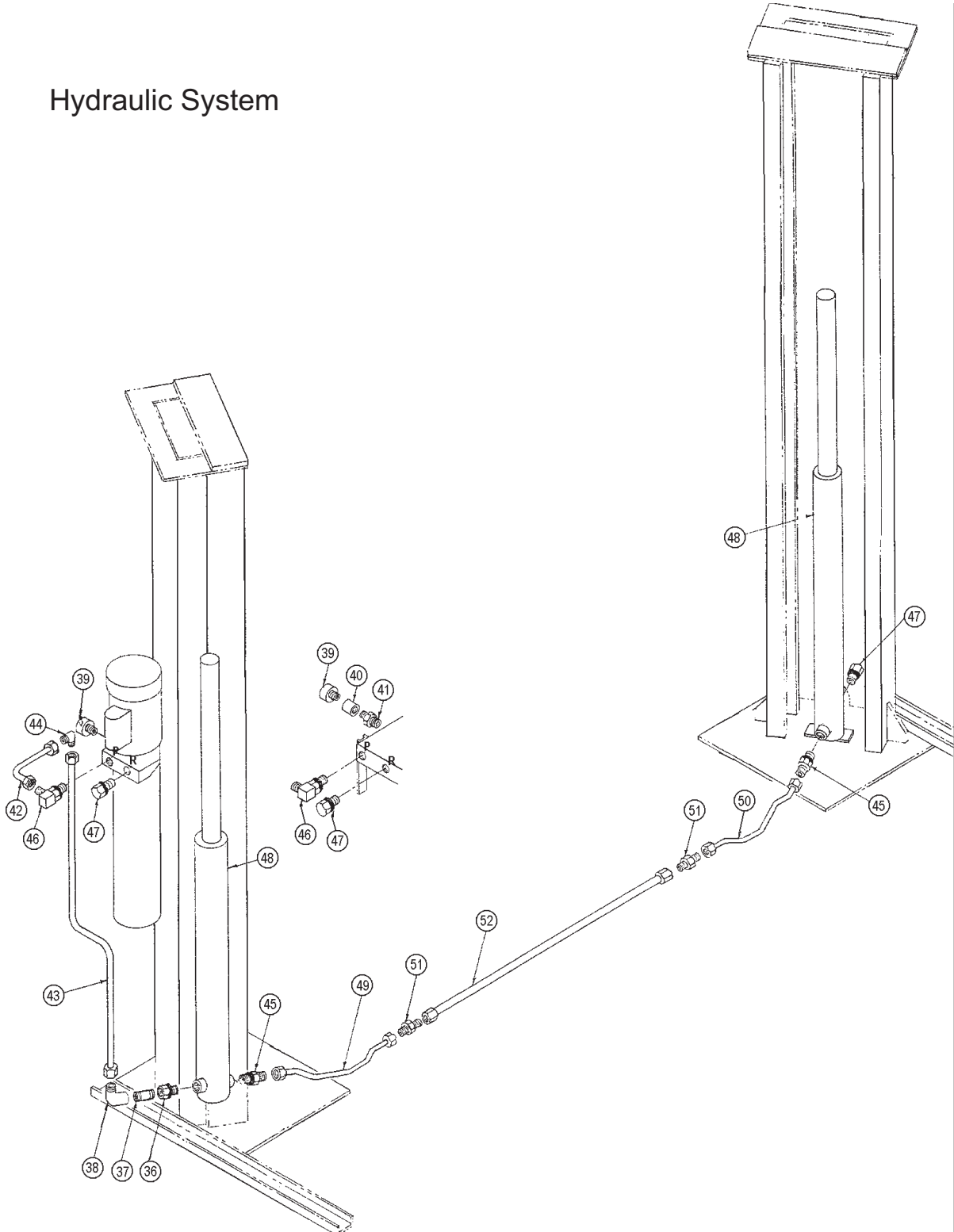
Item SVI #	OEM #	Req.	Description
46	BH-7110-63	82056	1 90° Elbow
47	BH-7110-66	100026	2 Plug
48	BH-7100-61	81821	1 Hydraulic Cylinder LAS 7
48	BH-7100-63	81921	1 Hydraulic Cylinder LAS 9
49	BH-7115-41	82338	1 LH Tube Assy
50	BH-7115-42	82339	1 RH Tube Assy
51	BH-7115-43	81703	2 Tube Union
52	BH-7115-44	82337	1 Hose Assy
*	BH-7115-45	100289	1 Hex Plug
*	BH-7115-46	80831	2 Cap
* Not Pictured			



for Models LAS 7, LAS 9

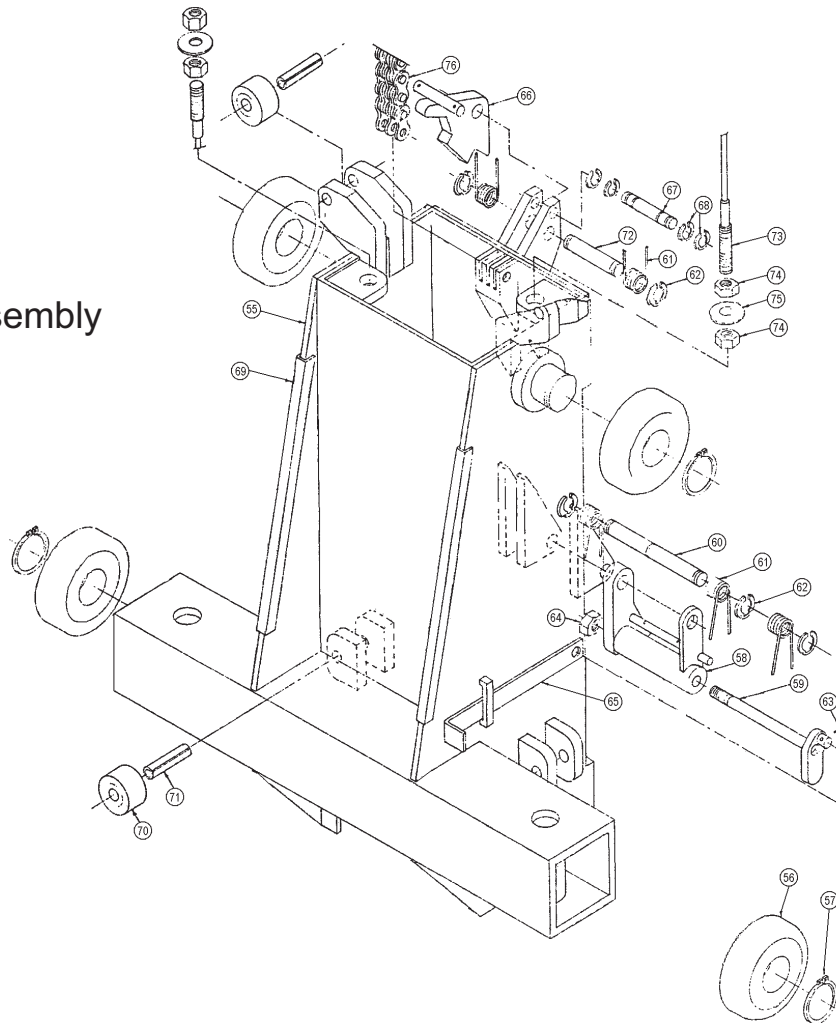
See page 25 for parts list.

Hydraulic System



for Models LASO 7, LASO 9, LAS 7, LAS 9

Carriage Assembly

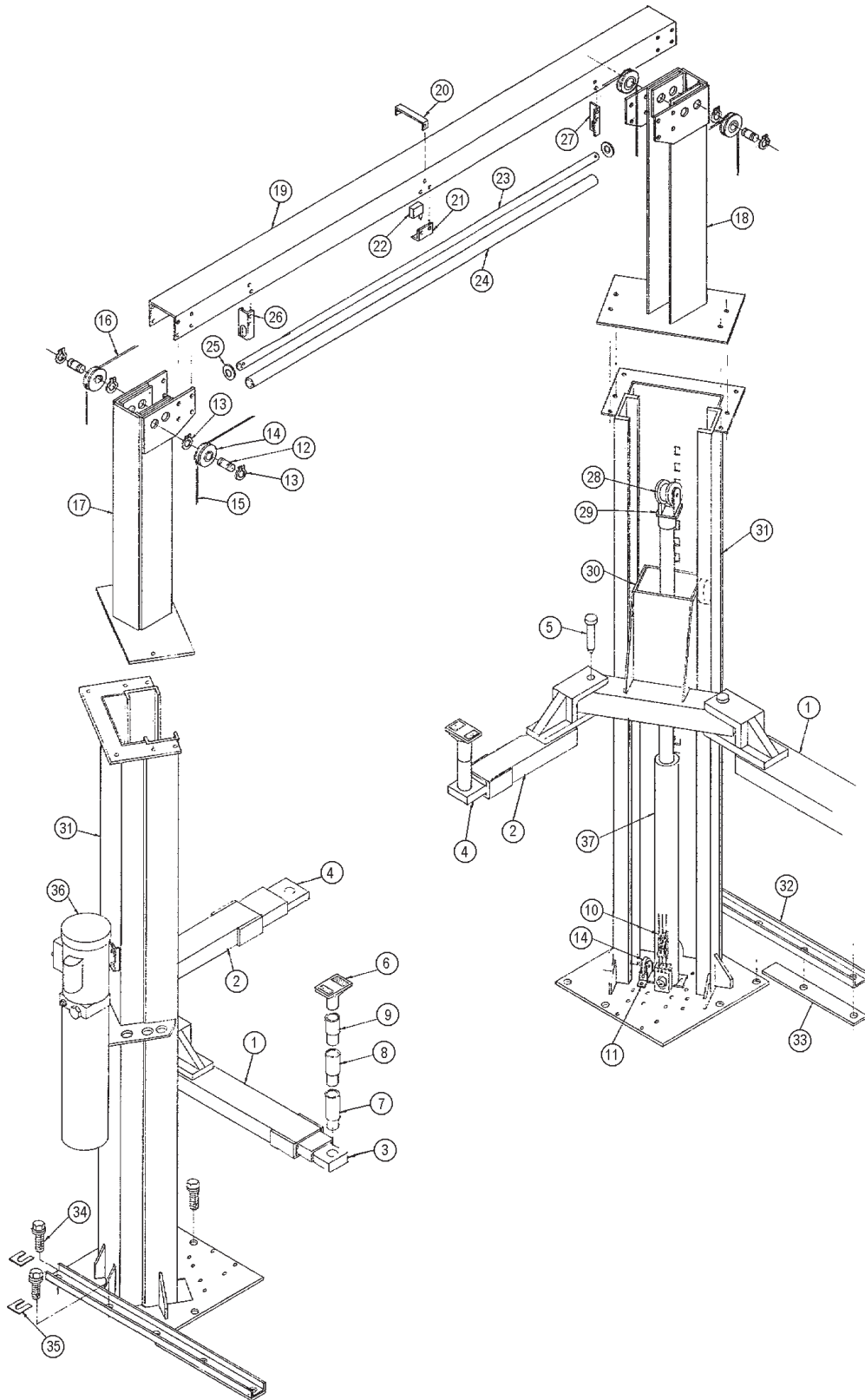


Item SVI #	OEM #	Req.	Description
-	BH-7111-07	81824	2 Carriage Assy Consists of # 55-72
55	BH-7111-48	82310	1 Carriage Structure
56	BH-7110-03	81446	4 Carriage Roller
57	BH-7111-49	100089	4 Retaining Ring
58	BH-7102-20	82756	1 Latch Assy
59	BH-7102-48	81842	1 Cam Structure
60	BH-7111-50	82760	1 Pivot Latch Shaft
61	BH-7100-90	80739	5 Torsion Spring
62	BH-7100-85	80738	5 Retaining Ring
63	F-CP-093-1000100233	1	Cotter Pin
64	F-NL-0375-16	81082	1 Nylock Nut
65	BH-7102-36	81849	1 Cam Lever
66	BH-7101-24	82171	1 Latch Structure
67	BH-7111-51	82173	1 Latch Pin
68	BH-7100-86	80683	4 Retaining Ring
69	BH-7111-52	81850	2 Bumper Pad
70	BH-7606-20	80176	4 Carriage Roller Bearing

Item SVI #	OEM #	Req.	Description
71	F-RP-437-2000100302	4	Roll Pin
72	BH-7102-10	80737	1 Shaft
For Two Carriages			
73	BH-7100-13	82744	1 Cable Assy Short LASO 7
73	BH-7100-04	82270	1 Cable Assy Short LASO 9
73	BH-7100-14	82745	1 Cable Assy Long LASO 7
73	BH-7100-05	82271	1 Cable Assy Long LASO 9
73	BH-7100-11	82746	1 Cable Assy Short LAS 7
73	BH-7100-02	82274	1 Cable Assy Short LAS 9
73	BH-7100-12	82747	1 Cable Assy Long LAS 7
73	BH-7100-03	82275	1 Cable Assy Long LAS 9
74	BH-7110-54	100157	8 Hex Nut LAS 7 & LASO 7
74	BH-7110-70	100073	8 Hex Nut LAS 9 & LASO 9
75	BH-7112-29	100141	8 Flat Washer
76	BH-7111-08	81823	2 Chain



for Models LASO 7, LASO 9





for Models LASO 7, LASO 9

Item SVI #	OEM #	Req.	Description
1	BH-7115-25	82277	2 Long Lift Arm Structure
2	BH-7115-26	82279	2 Short Lift Arm Structure
3	BH-7115-27	82283	2 Arm Extension Structure Long
4	BH-7115-28	82285	2 Arm Extension Structure Short
5	BH-7101-06	81885	4 Pin Structure
6	BH-7101-01C	82591	4 Adapter Base & Pad Assy
7	BH-7101-03	81691	4 5" Height Adapter
8	BH-7101-04	81692	4 3-1/2" Height Adapter
9	BH-7101-02	81693	4 2-5/8" Height Adapter
10	BH-7111-08	82823	2 Chain
11	BH-7111-05	81816	2 Idler Support Structure
12	BH-7100-00B	81819	6 Idler Pin
13	BH-7100-00C	80864	12 Retaining Ring
14	BH-7100-00	81924	6 Nylon Cable Sheave
or	BH-7100-00S	81924	6 Steel Cable Sheave
15	BH-7100-14	82745	1 Long Cable Assy LASO 7
15	BH-7100-05	82271	1 Long Cable Assy LASO 9
16	BH-7100-13	82744	1 Short Cable Assy LASO 7
16	BH-7100-04	82270	1 Short Cable Assy LASO 9
17	BH-7115-29	82259	1 Channel Structure Post Ext LH
18	BH-7115-30	82260	1 Channel Structure Post Ext RH
19	BH-7115-31	82267	1 Cross Over Channel
20	BH-7115-32	82297	1 Cable Support Strap
21	BH-7111-13	81864	1 Switch Support Angle

Item SVI #	OEM #	Req.	Description
22	BH-7004-19	80282	1 Micro Switch
	BH-7113-69	81910	1 Cover Switch
23	BH-7115-33	81862	1 Pipe Bumper
24	BH-7110-42	81863	1 Tubing Bumper
25	BH-7113-67	100224	2 Flat Washer
26	BH-7110-40	81860	1 Angle Support LH
27	BH-7110-33	81861	1 Angle Support RH
28	BH-7100-51	82714	2 Cylinder Roller Assembly
29	BH-7111-06	80675	2 Cylinder End Structure
	BH-7101-95	80227	2 Roller Spacer
	BH-7114-60	81822	2 Cylinder End Pin
	BH-7100-00C	80864	4 Retaining Ring
30	BH-7111-07	81824	2 Carriage Assy (See Breakdown)
31	BH-7115-22	82713	2 Post Structure
32	BH-7115-23	82312	2 Channel Stiffener
33	BH-7115-24	82313	2 Spacer Bar
34	BH-7075-03L	80362	18 3/4 x 5-1/2" Wedge Anchors
35	BH-7512-92	81709	1 Shim Kit 150 pcs, 3 Sizes
36	BH-7006-01		1 Power Unit 1 PH, 2 HP
37	BH-7100-61	81821	2 Hydraulic Cylinder LASO 7
37	BH-7100-63	81921	2 Hydraulic Cylinder LASO 9
-	BH-7100-3781821CK	1	Seal Kit LASO 7
-	BH-7115-5081921CK	1	Seal Kit LASO 9

Hydraulic System

See page 30 for breakdown.

Item SVI #	OEM #	Req.	Description
38	BH-7102-92	80992	2 Female Adapter
39	BH-7111-64	100225	2 Pipe Nipple
40	BH-7102-93	100227	2 90° Elbow
41	BH-7101-61	80124	1 Dry Pressure Gauge
42	BH-7111-65	82066	1 Coupling (MTE)
43	BH-7110-63	82056	1 90° Male Elbow
44	BH-7111-66	82198	1 Tube Assy Short
45	BH-7111-67	82200	1 Tube Assy Lower
46	BH-7111-72	100226	1 Union Tee

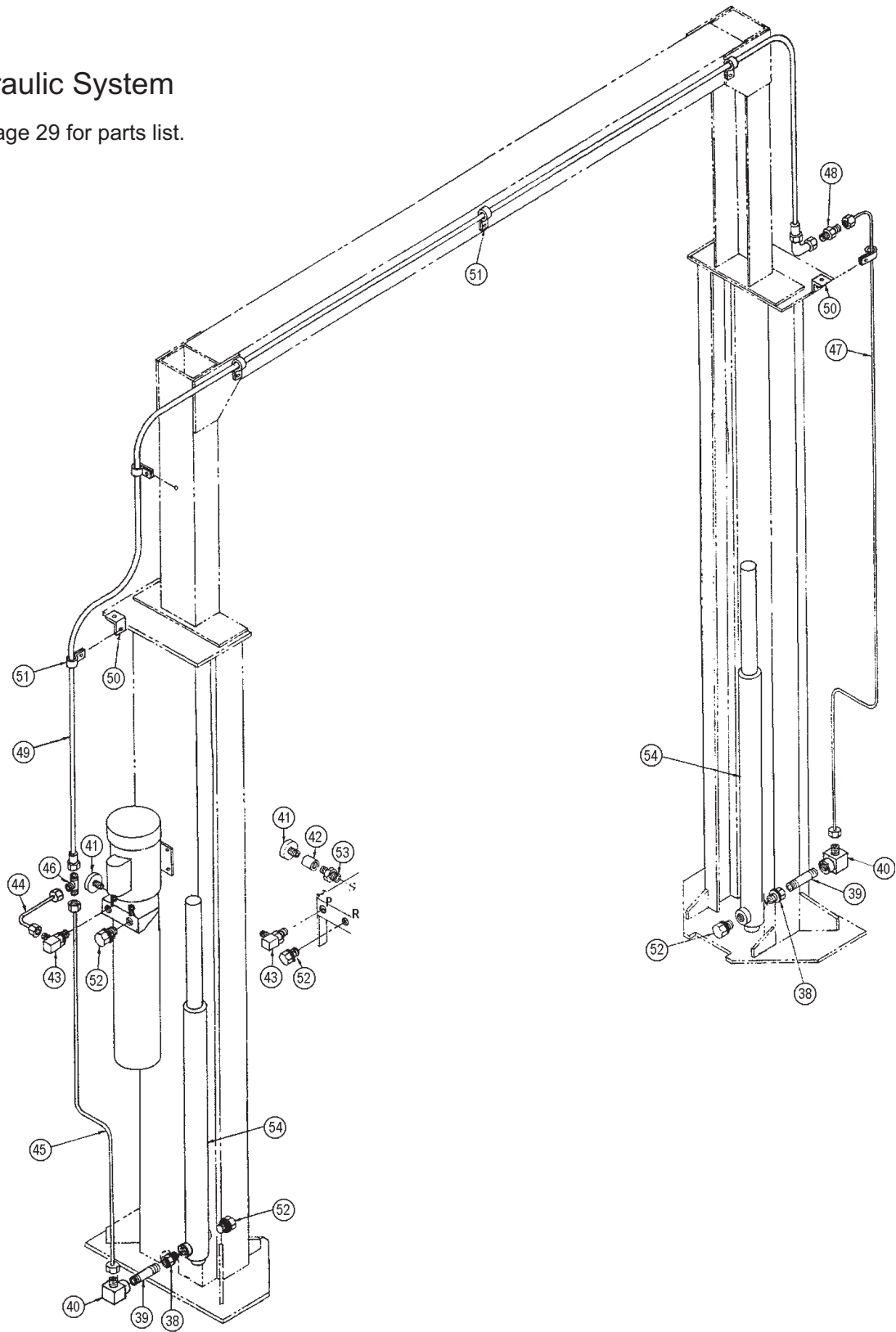
Item SVI #	OEM #	Req.	Description
47	BH-7111-73	81898	1 Tube Assy Offside
48	BH-7111-74	100230	1 Union Connector
49	BH-7111-75	81900	1 Hose Assy
50	BH-7111-76	81901	2 Hose Clamp Bracket
51	BH-7111-77	61412	6 Hose Clamp
52	BH-7110-66	100026	3 Hex Head Plug
53	BH-7111-71	61496	1 Hex Nipple (MTE)
54	BH-7100-61	81821	2 Hydraulic Cylinder LASO 7
54	BH-7100-63	81921	2 Hydraulic Cylinder LASO 9



for Models LASO 7, LASO 9

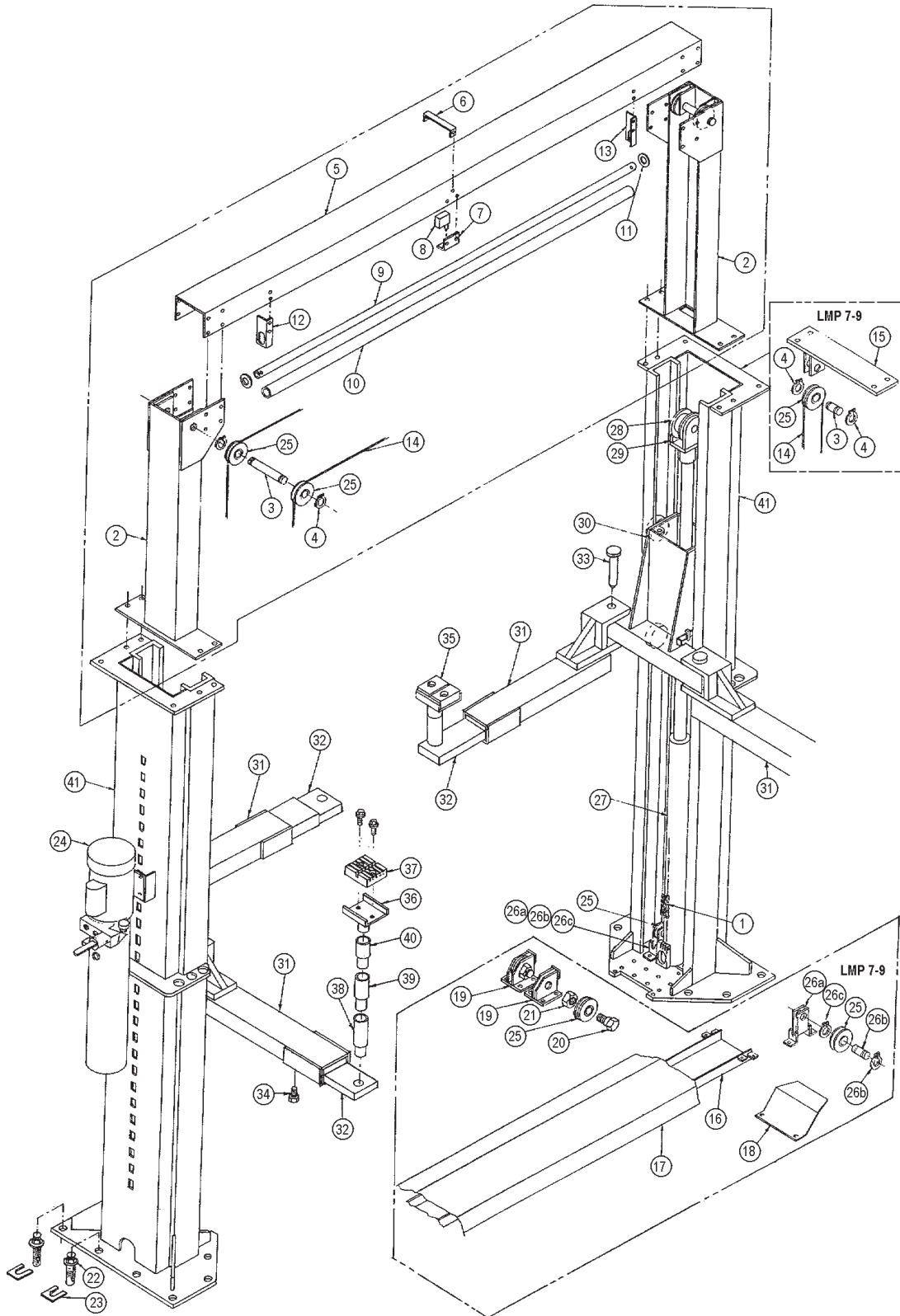
Hydraulic System

See page 29 for parts list.



for Models LMO 7, LMO 9, LMP 7, LMP 9

See page 32 for parts list.





for Models LMO 7, LMO 9, LMP 7, LMP 9

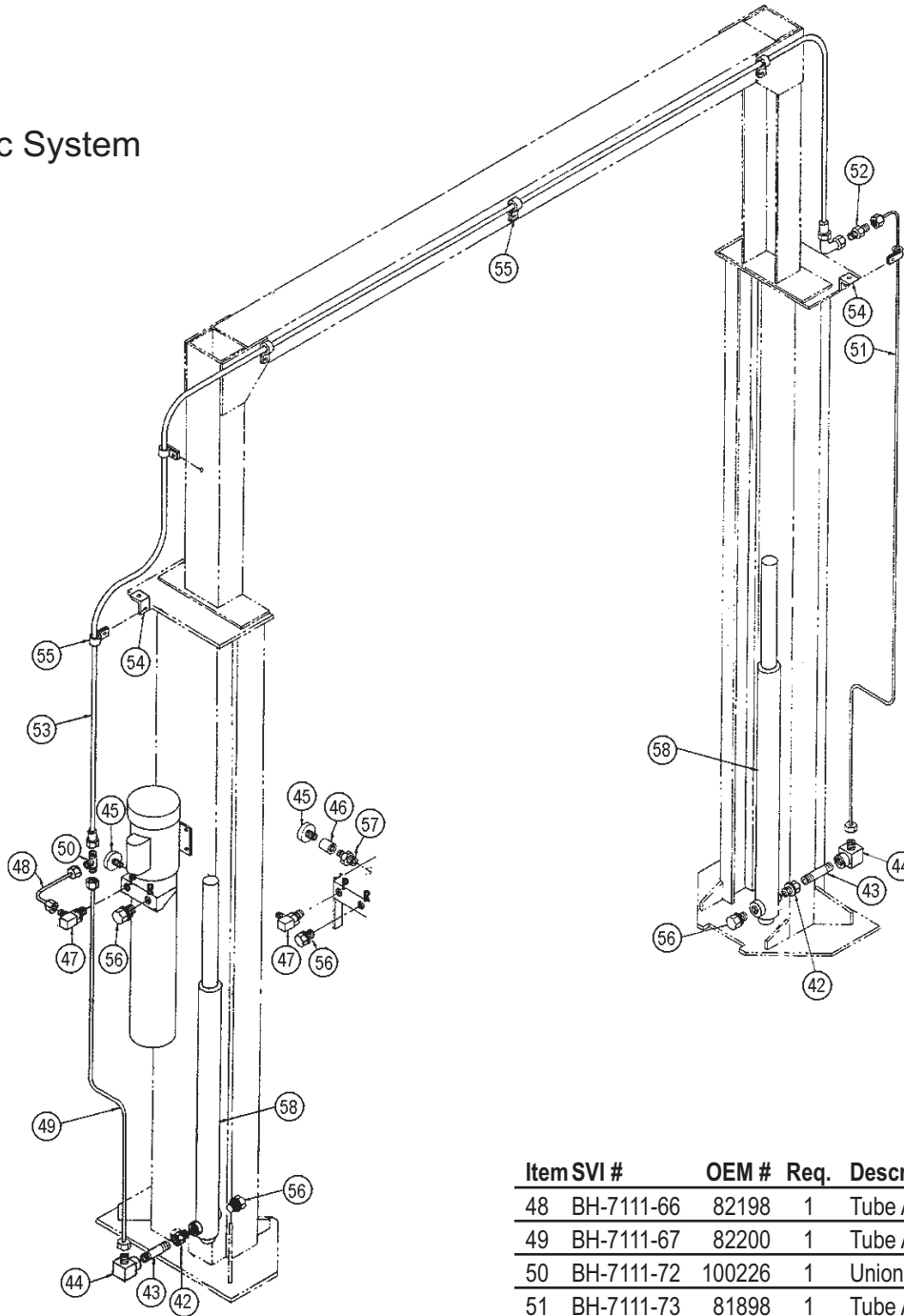
See page 31 for breakdown.

Table with 4 columns: Item SVI #, OEM #, Req., Description. Lists various parts like Chain, Cable Support Strap, Micro Switch, etc.

Table with 4 columns: Item SVI #, OEM #, Req., Description. Lists various parts like Nylon Cable Sheave, Steel Cable Sheave, Idler Support Str., etc.

for Models LMO 7, LMO 9

Hydraulic System



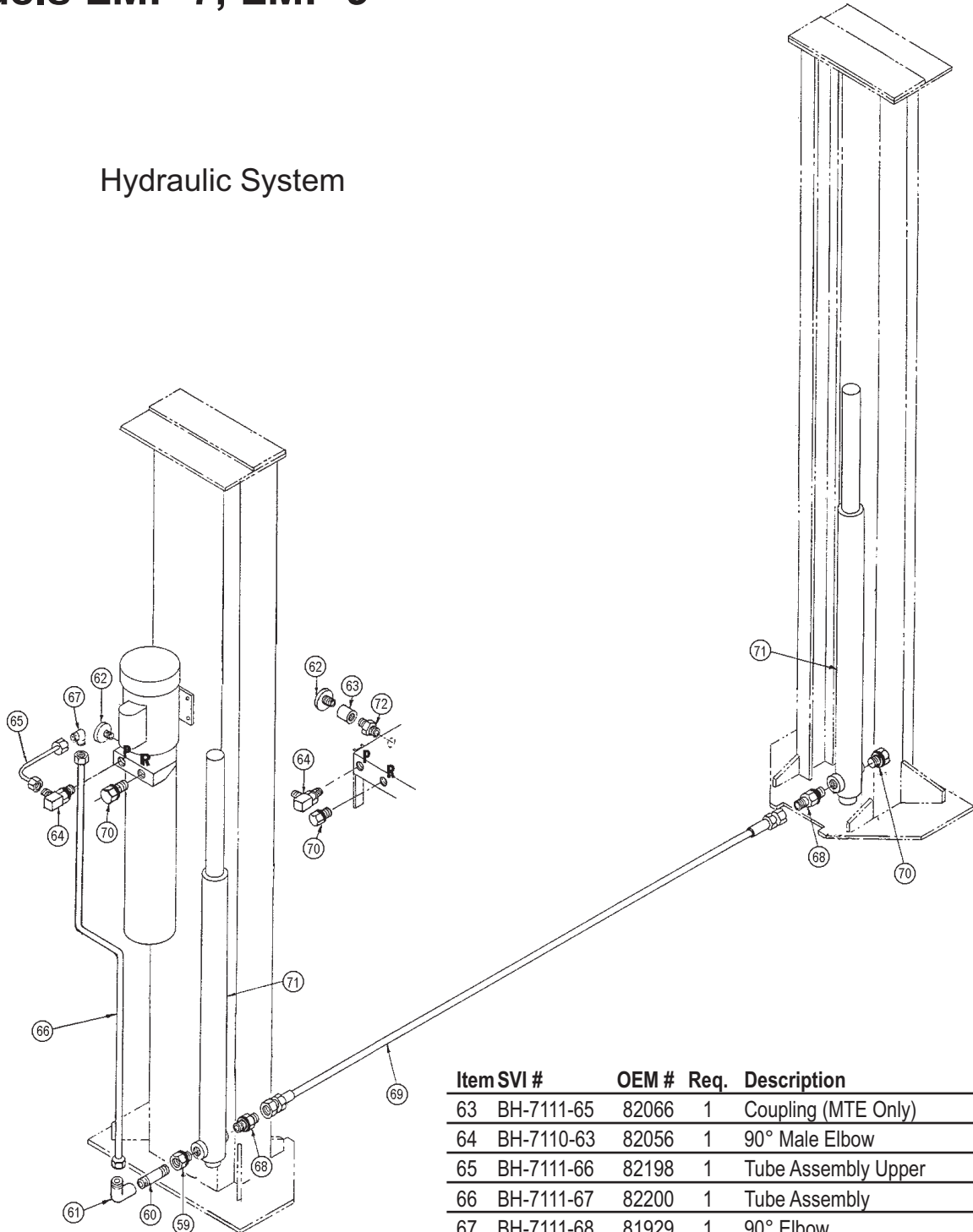
Item SVI #	OEM #	Req.	Description
42	BH-7102-92	80992	2 Female Adapter
43	BH-7111-64	100225	2 Pipe Nipple
44	BH-7102-93	100227	2 90° Elbow
45	BH-7101-61	80124	1 Dry Pressure Gauge
46	BH-7111-65	82066	1 Coupling (MTE Only)
47	BH-7110-63	82056	1 90° Male Elbow

Item SVI #	OEM #	Req.	Description
48	BH-7111-66	82198	1 Tube Assembly Short
49	BH-7111-67	82200	1 Tube Assembly Lower
50	BH-7111-72	100226	1 Union Tee
51	BH-7111-73	81898	1 Tube Assy Offside
52	BH-7111-74	100230	1 Union Connector
53	BH-7111-75	81900	1 Hose Assembly
54	BH-7111-76	81901	2 Hose Clamp Bracket
55	BH-7111-77	61412	6 Hose Clamp
56	BH-7110-66	100026	3 Hex Head Plug
57	BH-7111-71	61496	1 Hex Nipple
58	BH-7100-61	81821	2 Hydraulic Cylinder LMO 7
58	BH-7100-63	81921	2 Hydraulic Cylinder LMO 9



for Models LMP 7, LMP 9

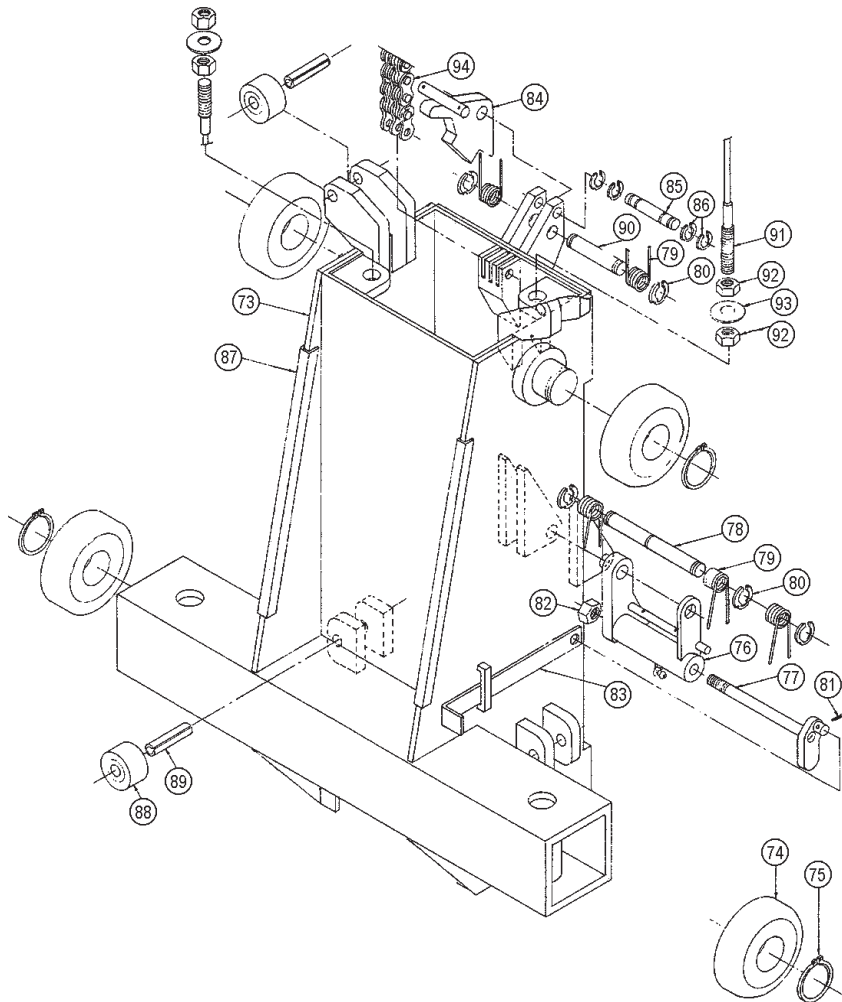
Hydraulic System



Item SVI #	OEM #	Req.	Description
59	BH-7102-92	80992	1 Female Adapter
60	BH-7111-64	100225	1 Pipe Nipple
61	BH-7102-93	100227	1 90° Elbow
62	BH-7101-61	80124	1 Dry Pressure Gauge

Item SVI #	OEM #	Req.	Description
63	BH-7111-65	82066	1 Coupling (MTE Only)
64	BH-7110-63	82056	1 90° Male Elbow
65	BH-7111-66	82198	1 Tube Assembly Upper
66	BH-7111-67	82200	1 Tube Assembly
67	BH-7111-68	81929	1 90° Elbow
68	BH-7111-69	60544	2 Tube Union
69	BH-7111-70	81916	1 Hose Assembly
70	BH-7110-66	100026	2 Plug
71	BH-7100-61	81821	2 Hydraulic Cylinder LMP 7
71	BH-7100-63	81921	2 Hydraulic Cylinder LMP 9
72	BH-7111-71	61496	1 Hex Nipple (MTE Only)

for Models LMO 7, LMO 9, LMP 7, LMP 9



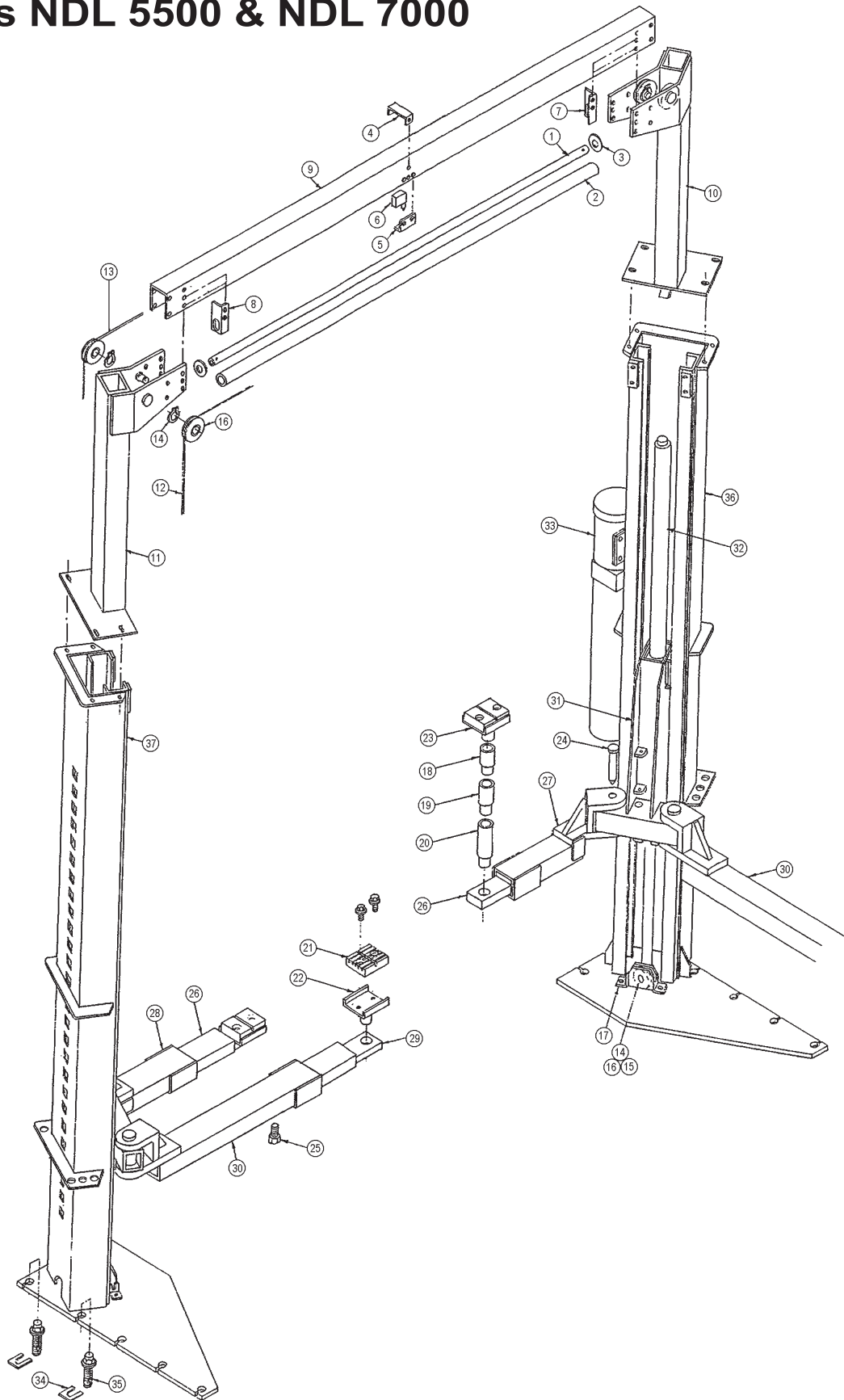
Carriage Assembly

Item SVI #	OEM #	Req.	Description
-	BH-7111-07	81824	2 Carriage Assembly Consists of #'s 73-90
73	BH-7111-48	82310	1 Carriage Structure
74	BH-7110-03	81446	4 Carriage Roller
75	BH-7111-49	100089	4 Retaining Ring
76	BH-7102-20	82756K	1 Latch Assembly
77	BH-7102-48	81842	1 Cam Structure
78	BH-7111-50	82760	1 Pivot Latch Shaft
79	BH-7100-90	80739	5 Torsion Spring
80	BH-7100-85	80738	5 Retaining Ring
81	F-CP-093-1000	100233	1 Cotter Pin
82	F-NL-0375-16	81082	1 Nylock Nut
83	BH-7102-36	81849	1 Cam Lever
84	BH-7101-24	82171	1 Latch Structure
85	BH-7111-51	82173	1 Pin

Item SVI #	OEM #	Req.	Description
86	BH-7100-86	80683	4 Retaining Ring
87	BH-7111-52	81850	2 Bumper Pad
88	BH-7606-20	80176	4 Cam Yolk Roller
89	F-RP-437-2000	100302	4 Roll Pin
90	BH-7102-10	80737	1 Shaft
For One Carriage			
91	BH-7100-10	82743	1 Cable Assy LMP 7 >41833
91	BH-7100-18	80696	1 Cable Assy LMP 7 <41833
91	BH-7100-01	81926	1 Cable Assy LMP 9 >41937
91	BH-7100-15	82742	1 Cable Assy LMO 7
91	BH-7100-06	81927	1 Cable Assy LMO 9
92	BH-7110-54	100157	4 Hex Nut LMO 7 & LMP 7
92	BH-7110-70	100073	4 Hex Nut LMO 9 & LMP 9
93	BH-7112-29	100141	4 Flat Washer LMO 7 & LMP 7
94	BH-7111-08	81823	1 Chain



for Models NDL 5500 & NDL 7000





for Models NDL 5500 & NDL 7000

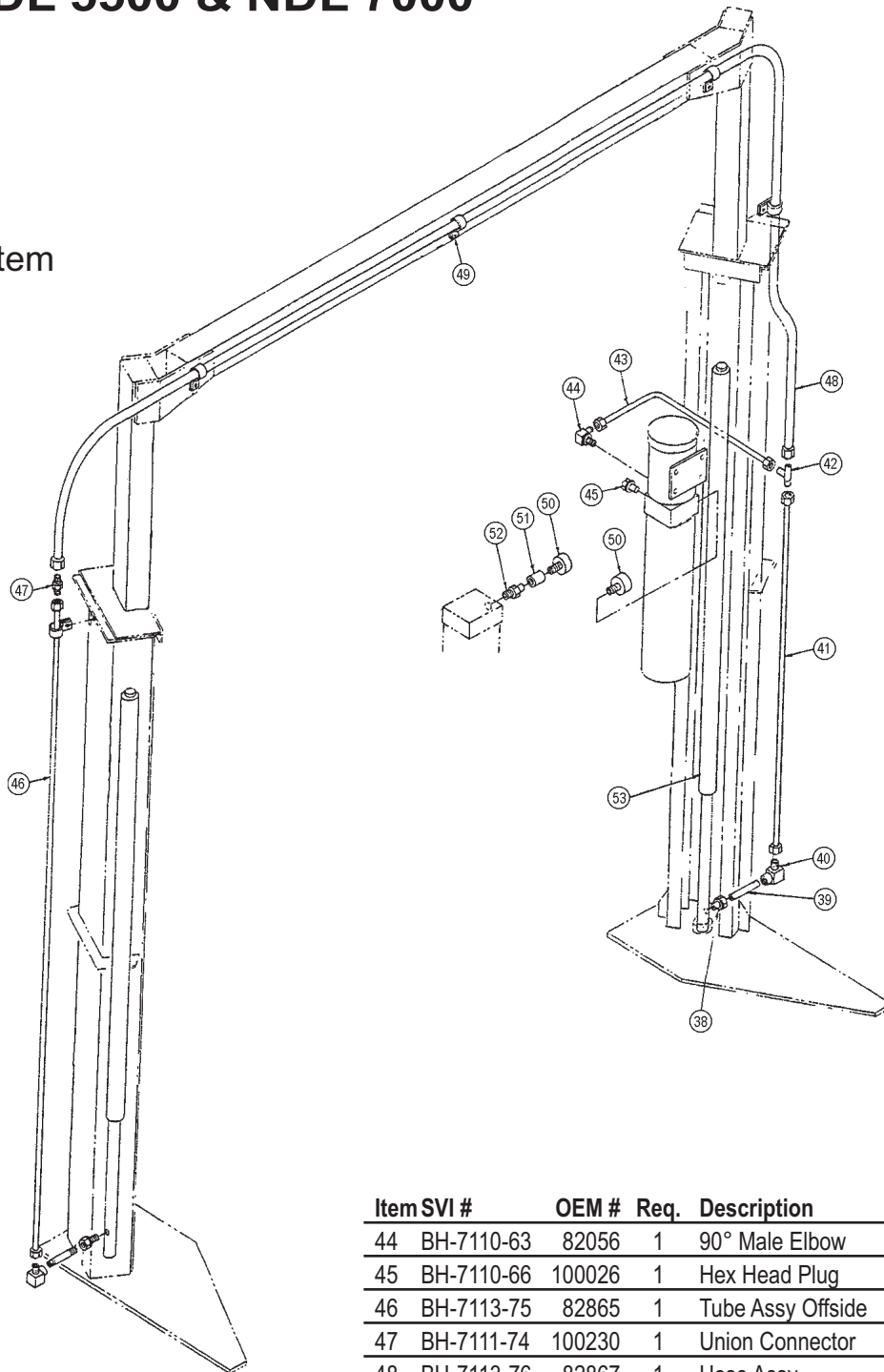
Item SVI #	OEM #	Req.	Description
1	BH-7110-41	82856	1 Bumper Pipe
2	BH-7110-42	81863	1 Bumper Tubing
3	BH-7113-67	100224	2 Flat Washer
	BH-7101-55	81483	2 Hex Screw
	BH-7112-24	100159	2 Lock Washer
	BH-7112-23	100102	2 Hex Nut
4	BH-7113-68	82857	1 Cable Support Strap
	BH-7110-73	100234	2 HFHSL Screw
	BH-7110-75	100237	2 HFHSL Nut
5	BH-7113-13	81864	1 Switch Support Angle
	BH-7110-73	100234	2 HFHSL Screw
	BH-7110-75	100237	2 HFHSL Nut
6	BH-7004-19	80282	1 Micro Switch
7	BH-7110-33	81861	1 Angle Support RH
	BH-7110-73	100234	4 HFHSL Screw
	BH-7110-75	100237	4 HFHSL Nut
8	BH-7110-70	81860	1 Angle Support LH
9	BH-7113-66	82854	1 Top Channel Structure
	BH-7110-74	100238	16 HFHSL Screw
	BH-7110-76	100239	16 HFHSL Nut
10	BH-7113-64	82842	1 Post Extension Structure RH
	BH-7113-65	100243	4 HFHSL Screw
	BH-7112-63	100304	8 HFHSL Screw
	BH-7110-82	100039	8 HFHSL Nut
11	BH-7113-63	82841	1 Post Extension Structure LH
12	BH-7100-17	82859	1 Cable Assy Long
	BH-7100-54	100157	8 Hex Nut
13	BH-7100-16	82858	1 Cable Assy Short
14	BH-7100-00C	80864	8 Retaining Ring
15	BH-7100-00B	81819	2 Idler Pin

Item SVI #	OEM #	Req.	Description
16	BH-7100-00	81924	6 Cable Sheave (Nylon)
16	BH-7100-00S	81924	6 Cable Sheave (Steel)
17	BH-7100-00A	82800	2 Idler Support Structure Bottom
	BH-7112-36	100240	4 HFHSL Screw
18	BH-7101-02	81693	4 2-5/8" Height Adapter
19	BH-7101-04	81692	4 3-1/2" Height Adapter
20	BH-7101-03	81691	4 5" Height Adapter
21	BH-7101-00	82365	1 Rubber Arm Pad
22	BH-7101-01	82361	1 Steel Adapter
23	BH-7101-01C	82591	4 Adapter Base & Pad Assy
24	BH-7101-06	81885	4 Carriage Arm Pin
25	BH-7113-07	100010	4 Hex Screw
26	BH-7113-60	82835	2 Arm Ext. Structure Short
27	BH-7113-59	82830	1 Lift Arm Structure RH Short
28	BH-7113-58	82829	1 Lift Arm Structure LH Short
29	BH-7113-57	82834	2 Arm Extension Structure Long
30	BH-7113-56	82823	2 Lift Arm Structure Long
31	BH-7113-54	82804	2 Carriage Assy NDL 5
	BH-7113-55	82882	2 Carriage Assy NDL 7
32	BH-7100-62	82803	2 Hydraulic Cylinder
	BH-7100-76	83339	1 Seal Kit Hex Bleeder
	BH-7100-77	82860	1 Seal Kit Allen Bleeder
33	BH-7006-01		1 Power Unit 1 PH, 2 HP
34	BH-7512-92	80589	1 Shim Kit 150 pcs, 3 sizes
35	BH-7075-03L	80062	16 3/4 x 5-1/2 Wedge Anchor
36	BH-7113-51	82789	1 Post Structure RH NDL 5
	BH-7113-52	82873	1 Post Structure RH NDL 7
37	BH-7113-49	82788	1 Post Structure LH NDL 5
	BH-7113-50	82872	1 Post Structure LH NDL 7
	BH-7113-70	83649	1 Front Arm Ext Pkg (Optional)



for Models NDL 5500 & NDL 7000

Hydraulic System



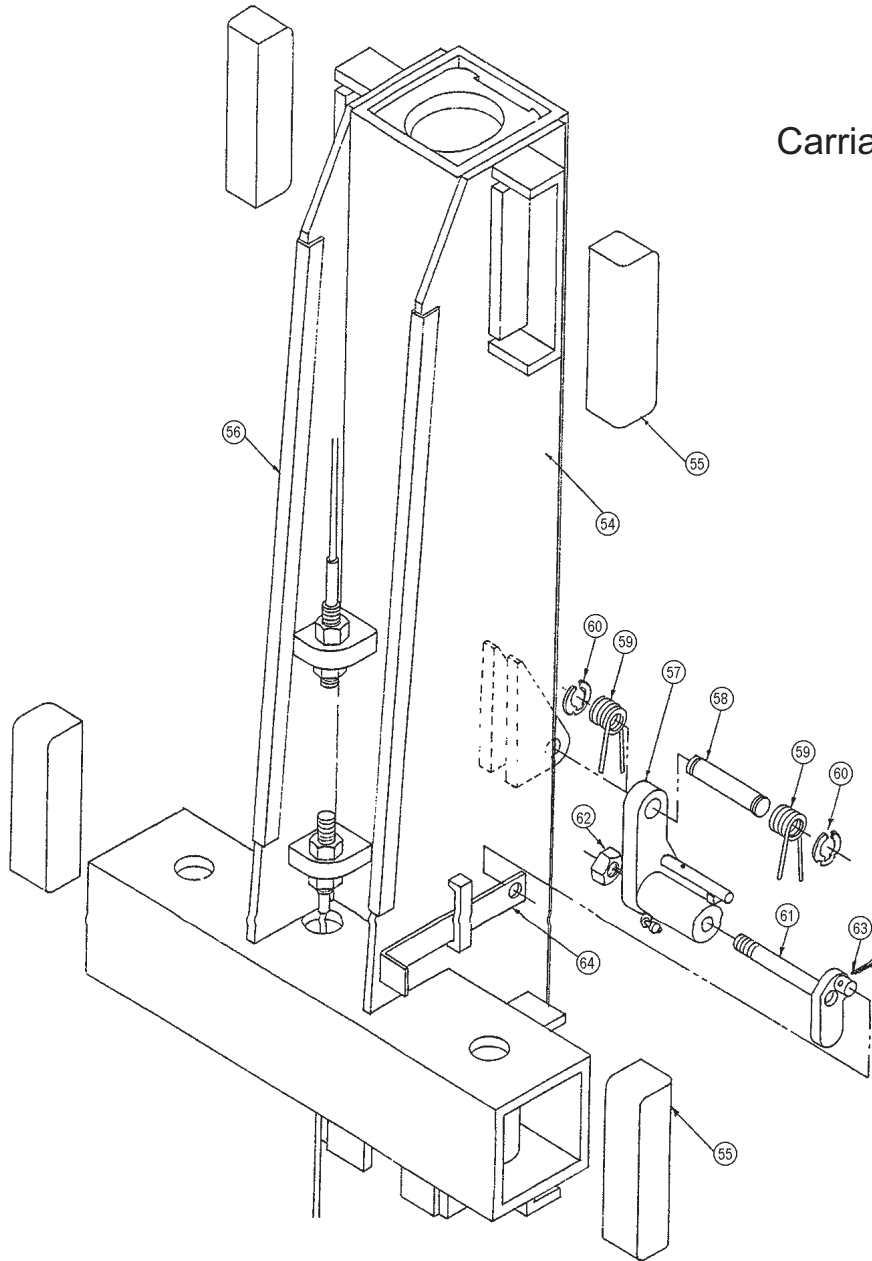
Item SVI #	OEM #	Req.	Description
38	BH-7102-92 80992	2	Female Adapter
39	BH-7111-64 100225	2	Pipe Nipple
40	BH-7102-93 100227	2	90° Elbow
41	BH-7113-73 82863	1	Tube Assy - Main Lower
42	BH-7111-72 100226	1	Union Tee
43	BH-7113-74 82861	1	Tube Assy - Main Upper

Item SVI #	OEM #	Req.	Description
44	BH-7110-63 82056	1	90° Male Elbow
45	BH-7110-66 100026	1	Hex Head Plug
46	BH-7113-75 82865	1	Tube Assy Offside
47	BH-7111-74 100230	1	Union Connector
48	BH-7113-76 82867	1	Hose Assy
49	BH-7111-77 61412	5	Hose Clamp
	BH-7110-73 100234	2	HFHSL Screw
	BH-7110-75 100237	2	HFHSL Nut
50	BH-7101-61 80124	1	Dry Pressure Gauge
51	BH-7111-65 82066	1	Coupling (MTE Only)
52	BH-7111-71 61496	1	Hex Nipple (MTE Only)
53	BH-7100-62 82803	2	Hydraulic Cylinder

P
a
g
e

for Models NDL 5500 & NDL 7000

Carriage Assembly

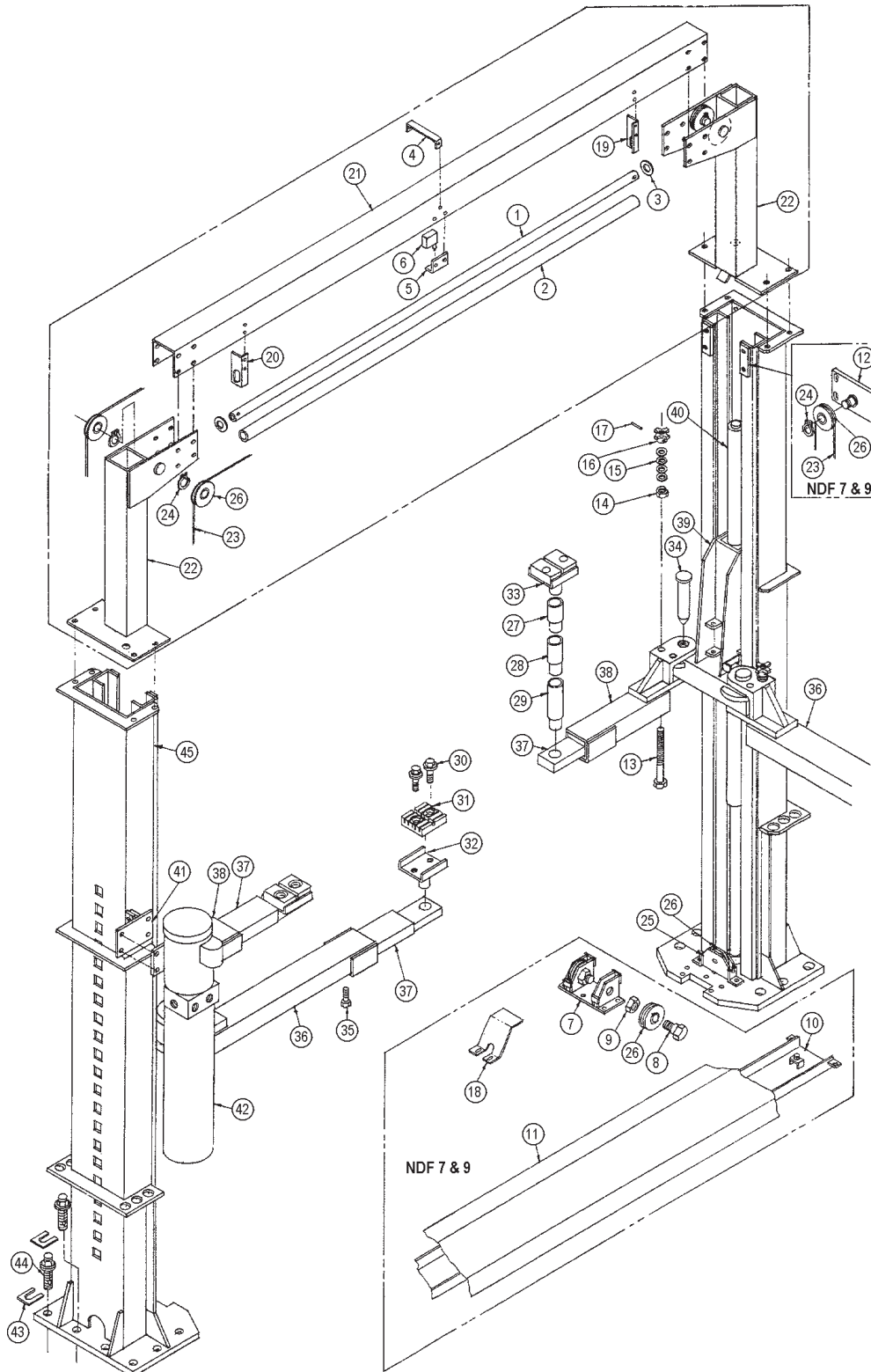


Item SVI #	OEM #	Req.	Description
- BH-7113-54	82804	1	Carriage Assembly NDL 5
- BH-7113-55	82882	1	Carriage Assembly NDL 7
54 BH-7113-77	82805	1	Carriage Structure NDL 5
54 BH-7113-78	82883	1	Carriage Structure NDL 7
55 BH-7110-01	82816	4	Carriage Slider Block
56 BH-7113-79	82822	2	Bumper Pad
57 BH-7102-34	82942	1	Latch Assy
BH-7113-46	81471	1	Grease Fitting

Item SVI #	OEM #	Req.	Description
58 BH-7102-10	80737	1	Shaft
59 BH-7100-90	80739	2	Torsion Spring
60 BH-7100-85	80738	2	Retaining Ring
61 BH-7102-27	82820	1	Cam Structure
62 F-NL-0375-16	81082	1	Nylock Nut
63 F-CP-093-1000100233		1	Cotter Pin
64 BH-7102-36	81849	1	Cam Lever



for Models NDO 7, NDO 9, NDF 7, NDF 9





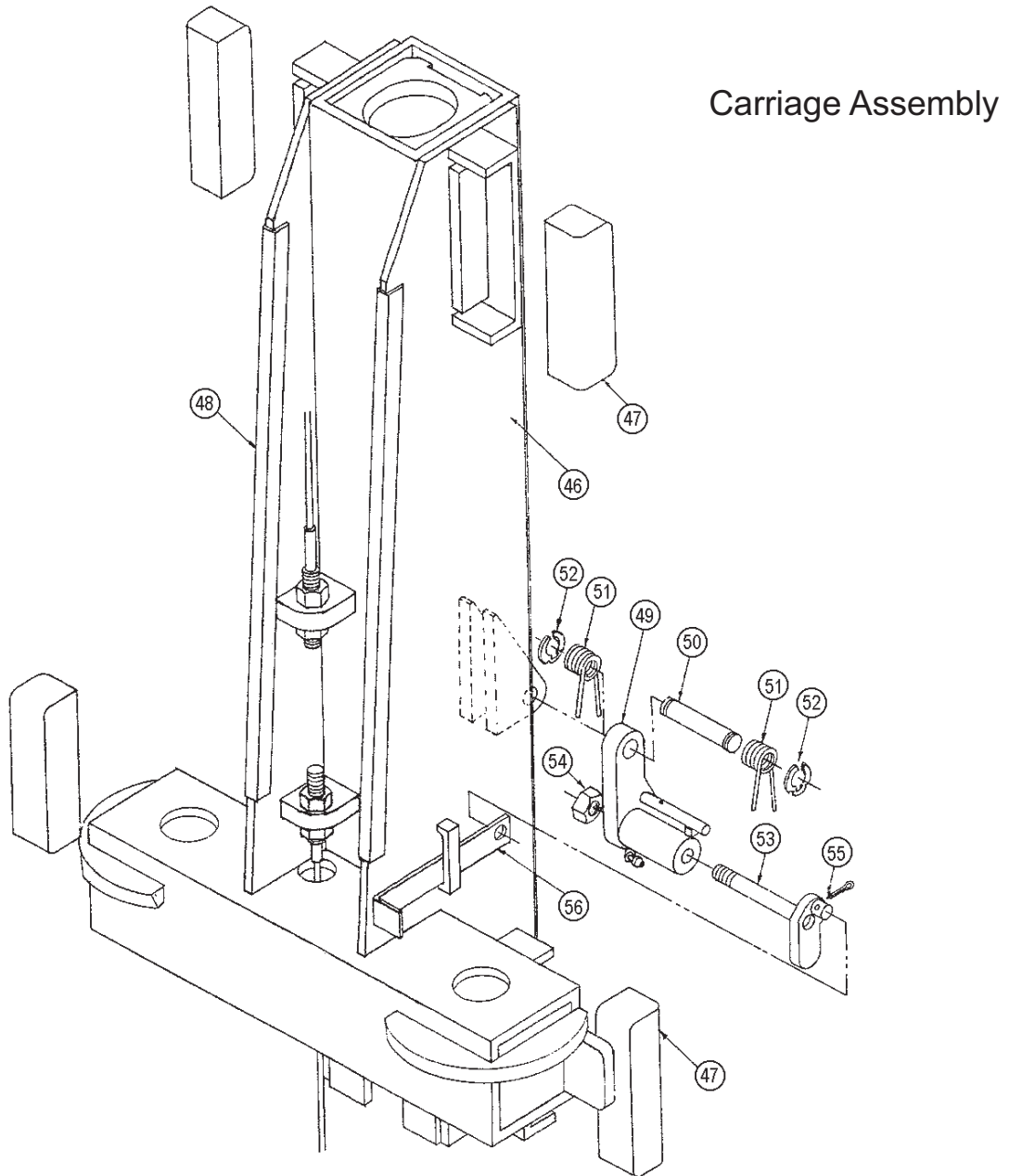
for Models NDO 7, NDO 9, NDF 7, NDF 9

Item SVI #	OEM #	Req.	Description
1	BH-7110-41	82856	1 Pipe Bumper NDO
2	BH-7110-42	81863	1 Tubing Bumper NDO
3	BH-7113-67	100224	2 Flat Washer NDO
	BH-7101-55	81483	2 Hex Screw
	BH-7112-24	100159	2 Lock Washer
	BH-7112-23	100102	2 Hex Nut
4	BH-7113-80	83805	1 Cable Support Strap NDO
5	BH-7111-13	81864	1 Switch Support Angle NDO
	BH-7110-73	100234	4 HFHSL Screw
	BH-7110-75	100237	4 HFHSL Nut
6	BH-7004-19	80282	1 Micro Switch NDO
	BH-7113-69	81910	1 Micro Switch Cover
7	BH-7113-81	83728	2 Idler Support Struct. Bottom NDF
8	BH-7113-82	83804	4 Shoulder Screw NDF
9	BH-7113-83	81977	4 Nylock Nut NDF
	BH-7112-36	100240	12 HFHSL Screw (Support)
10	BH-7101-44	83734	1 Trough Structure NDF
	BH-7112-36	100240	4 HFHSL Screw (Trough to Base)
11	BH-7112-46	83800	1 Cover Structure Trough NDF
	BH-7110-76	100239	2 HFHSL Nut (Cover to Trough)
12	BH-7113-84	83725	2 Idler Support Struct Top NDF
13	BH-7113-85	83712	4 Adjusting Screw
14	BH-7113-86	83711	4 Nut Wedge
15	BH-7112-29	100141	16 Flat Washer
16	BH-7113-87	83713	4 Hand Knob
17	BH-7113-88	100109	4 Roll Pin
18	BH-7113-89	83798	2 Shield, Bottom Idlers NDF
	BH-7112-35	100342	4 HDHSL Screw (Shield Cover)
19	BH-7110-33	81861	1 Angle RH NDO
	BH-7110-73	100234	4 HFHSL Screw
	BH-7110-75	100237	4 HFHSL Nut
20	BH-7110-40	81860	1 Angle LH NDO
21	BH-7113-99	83688	1 Top Channel Cross Over NDO
	BH-7110-74	100238	16 HFHSL Screw (Ext to Channel)
	BH-7110-76	100239	16 HFHSL Nut
22	BH-7102-86	83681	2 Post Extension Struct. NDO
	BH-7112-63	100304	8 HFHSL Screw (Ext to Post)
	BH-7110-82	100039	8 HFHSL Nut

Item SVI #	OEM #	Req.	Description
23	BH-7100-07	83689	2 Cable Assy NDO
23	BH-7100-08	83740	2 Cable Assy NDF
24	BH-7100-00C	80864	4 Retaning Ring NDO
24	BH-7100-00C	80864	2 Retaining Ring NDF
25	BH-7100-00A	82800	2 Idler Support Struct Bottom NDO
	BH-7100-00B	81819	2 Idler Pin
	BH-7100-00C	80864	4 Retaining Ring
	BH-7112-36	100240	4 HFHSL Screw
26	BH-7100-00	81924	6 Cable Sheave (Nylon)
26	BH-7100-00S	81924	6 Cable Sheave (Steel)
27	BH-7101-02	81693	4 2-5/8" Height Adapter
28	BH-7101-04	81692	4 3-1/2" Height Adapter
29	BH-7101-03	81691	4 5" Height Adapter
30	F-HC-0312-18-0750100313		2 HFHSL Screw
31	BH-7101-00	82365	1 Rubber Arm Pad
32	BH-7101-01	82361	1 Steel Adapter
33	BH-7101-01C	82591	4 Adapter Base & Pad Assy Consists of Item #'s 30-32
34	BH-7102-37	83715	4 Arm Pin
35	BH-7113-07	100010	4 Hex Screw
36	BH-7113-98	83704	2 Lift Arm Structure Long
37	BH-7113-97	83706	4 Arm Extension Structure
38	BH-7103-01	83699	2 Lift Arm Structure Short
39	BH-7113-96	83690	2 Carriage Assy
40	BH-7113-94	83542	2 Hydraulic Cylinder
	BH-7100-98	80063	2 Cap Screw
	BH-7113-95	80064	2 Hex Nylock Nut
41	BH-7113-93	83732	1 Power Unit Bracket Structure
	BH-7112-20	100198	4 Hex Screw
	BH-7112-24	100159	4 Lock Washer
	BH-7112-23	100102	4 Hex Nut
	BH-7110-74	100238	2 HFHSL Screw
	BH-7110-76	100239	2 HFHSL Nut
42	BH-7006-01		1 Power Unit 1 PH, 2 HP
43	BH-7512-92	80589	1 Shim Kit 150 pcs, 3 sizes
44	BH-7075-03L	80062	16 3/4 x 5-1/2 Wedge Anchor
45	BH-7113-90	83779	2 Post Structure NDO 7 & NDF 7
45	BH-7113-91	83673	2 Post Structure NDO 9 & NDF 9



for Models NDO 7, NDO 9, NDF 7, NDF 9



Carriage Assembly

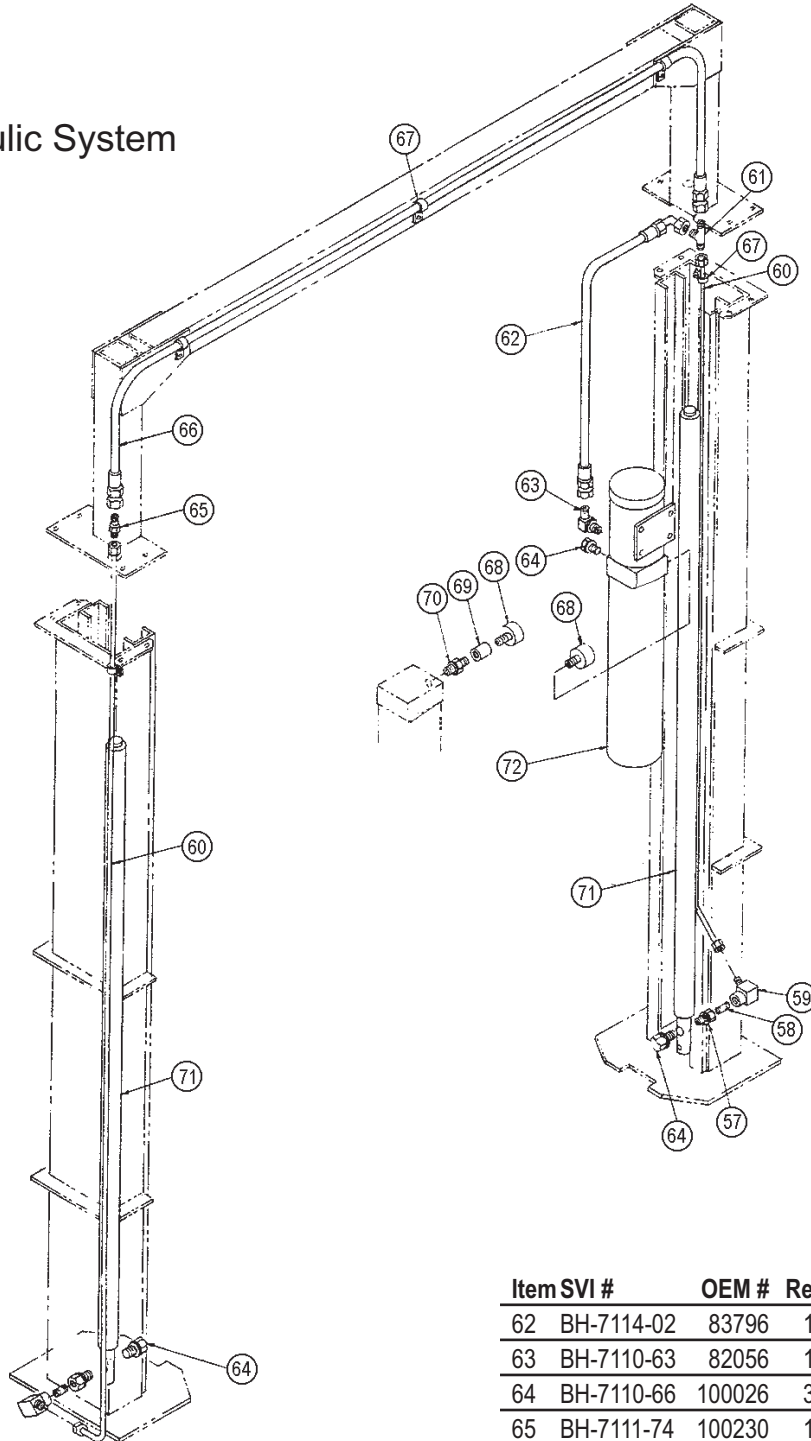
P
a
g
e

Item SVI #	OEM #	Req.	Description
- BH-7113-96	83690	1	Carriage Assembly
46 BH-7114-00	83691	1	Carriage Structure
47 BH-7110-01	81816	4	Carriage Slider Block
48 BH-7113-79	82822	2	Bumper Pad
49 BH-7102-34	82942	1	Latch Assy
BH-7113-46	81471	1	Grease Fitting
50 BH-7102-10	80737	1	Carriage Lock Shaft

Item SVI #	OEM #	Req.	Description
51 BH-7100-84	80739	2	Torsion Spring
52 BH-7100-85	80738	2	Retaining Ring
53 BH-7102-27	82820	1	Cam Structure
54 BH-7102-12	81082	1	Nylock Nut
55 F-CP-093-1000	100233	1	Cotter Pin
56 BH-7102-36	81849	1	Cam Lever

for Models NDO 7, NDO 9

Hydraulic System



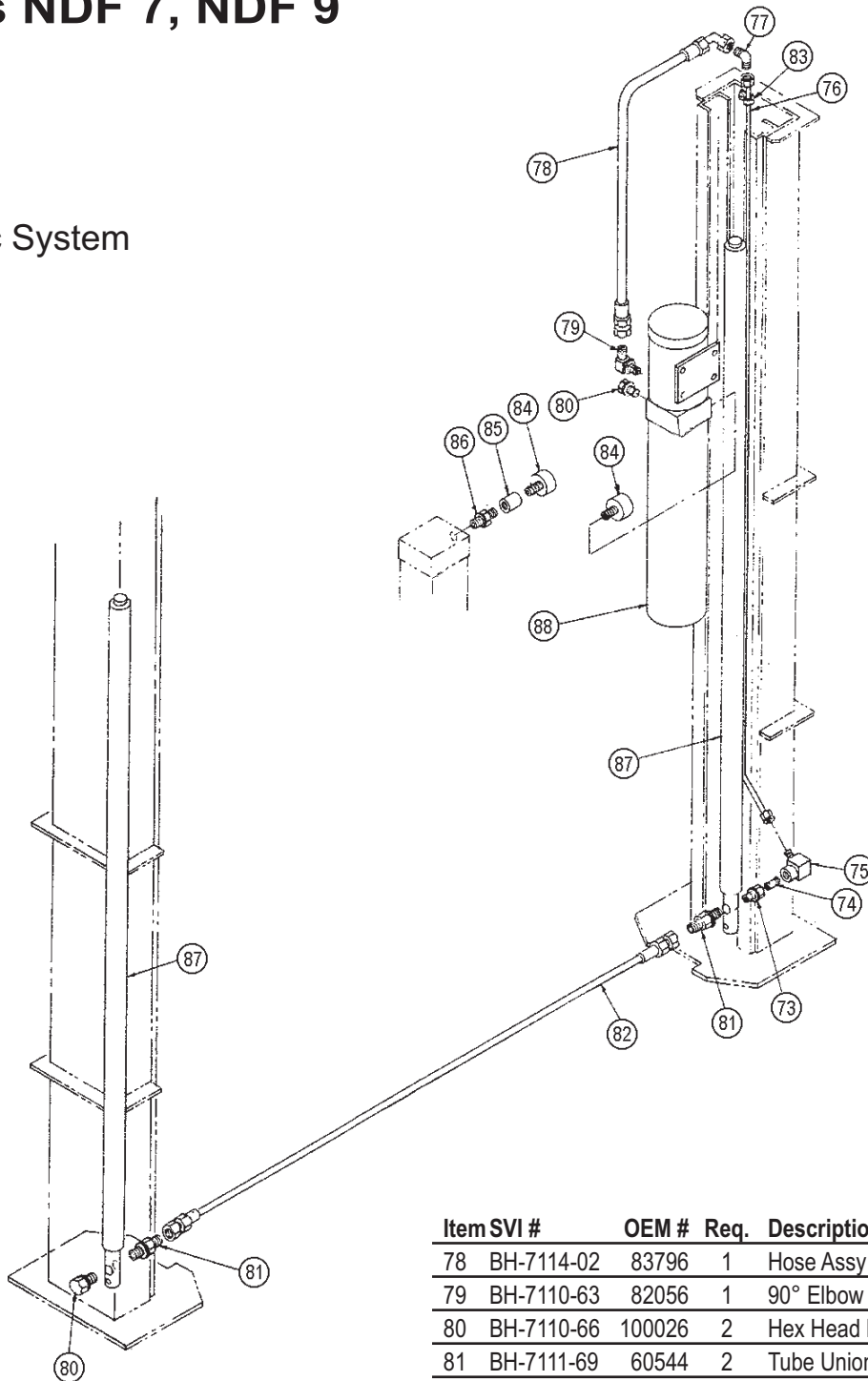
Item SVI #	OEM #	Req.	Description
57	BH-7102-92	80992	2 Female Adapter
58	BH-7102-94	100341	2 Pipe Nipple
59	BH-7102-93	100227	2 90° Elbow
60	BH-7114-01	83794	2 Main Tube Assembly
61	BH-7111-72	100226	1 Union Tee

Item SVI #	OEM #	Req.	Description
62	BH-7114-02	83796	1 Hose Assy 3/8 ID
63	BH-7110-63	82056	1 90° Elbow
64	BH-7110-66	100026	3 Hex Head Plug
65	BH-7111-74	100230	1 Union Connector
66	BH-7114-02	83717	1 Hose Assy 3/8 ID
67	BH-7111-77	61412	5 Hose Clamp
68	BH-7101-61	80124	1 Dry Pressure Gauge
69	BH-7111-65	82066	1 Coupling (MTE Only)
70	BH-7111-71	61496	1 Hex Nipple (MTE)
71	BH-7113-94	83542	2 Hydraulic Cylinder
72	BH-7006-01		1 Power Unit 1 PH, 2 HP



for Models NDF 7, NDF 9

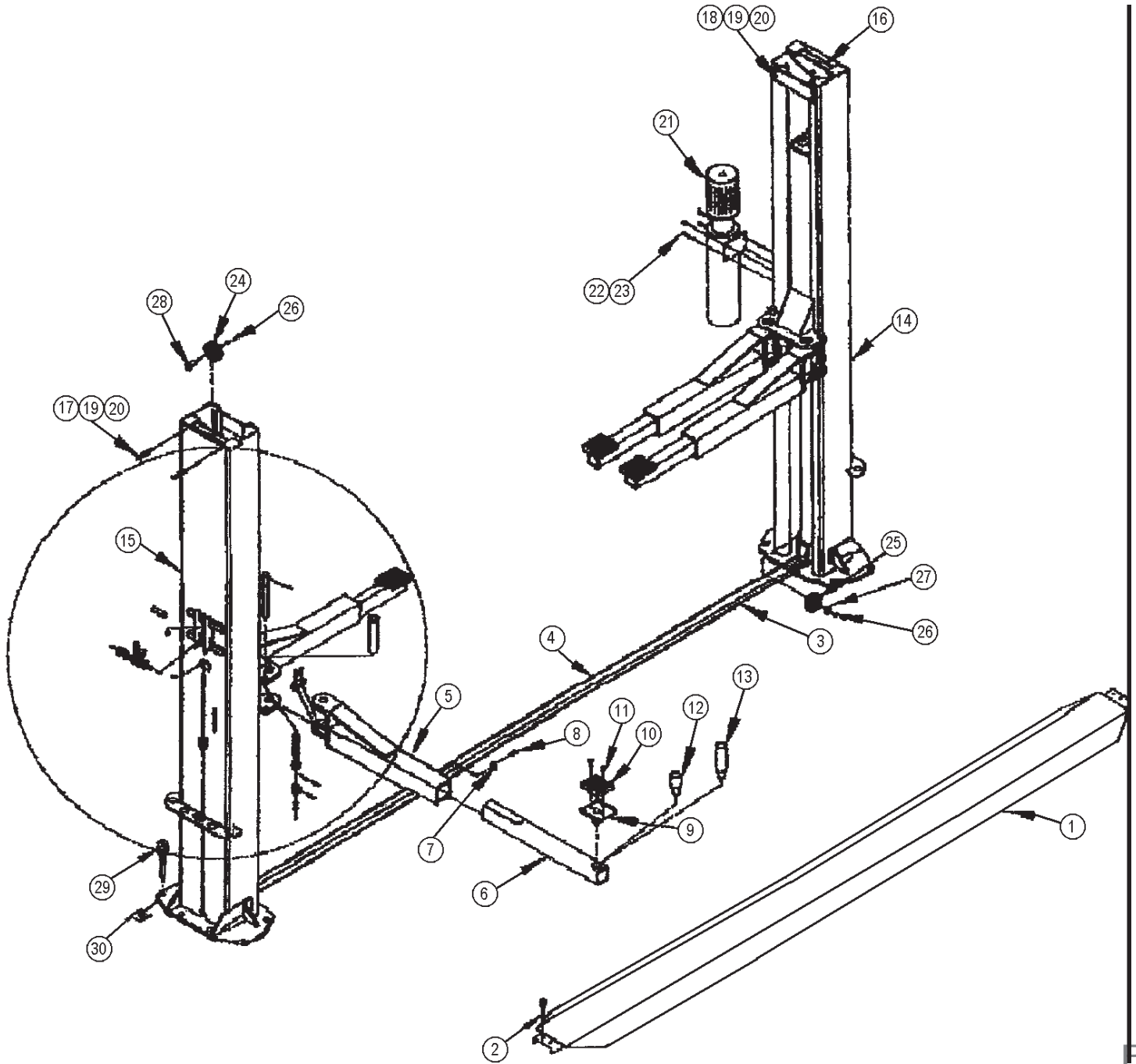
Hydraulic System



Item SVI #	OEM #	Req.	Description
73	BH-7102-92	80992	1 Female Adapter
74	BH-7102-94	100341	1 Pipe Nipple
75	BH-7102-93	100227	1 90° Elbow
76	BH-7114-01	83794	1 Main Tube Assembly
77	BH-7111-68	81929	1 90° Elbow

Item SVI #	OEM #	Req.	Description
78	BH-7114-02	83796	1 Hose Assy
79	BH-7110-63	82056	1 90° Elbow
80	BH-7110-66	100026	2 Hex Head Plug
81	BH-7111-69	60544	2 Tube Union
82	BH-7114-04	83746	4 Hose Assy 3/8 ID
83	BH-7111-77	61412	1 Clamp
84	BH-7101-61	80124	1 Dry Pressure Gauge
85	BH-7111-65	82065	1 Coupling (MTE Only)
86	BH-7111-71	61496	1 Hex Nipple (MTE)
87	BH-7113-94	83542	2 Hydraulic Cylinder
88	BH-7006-01		1 Power Unit 1 PH, 2 HP

for Model 9000 FC





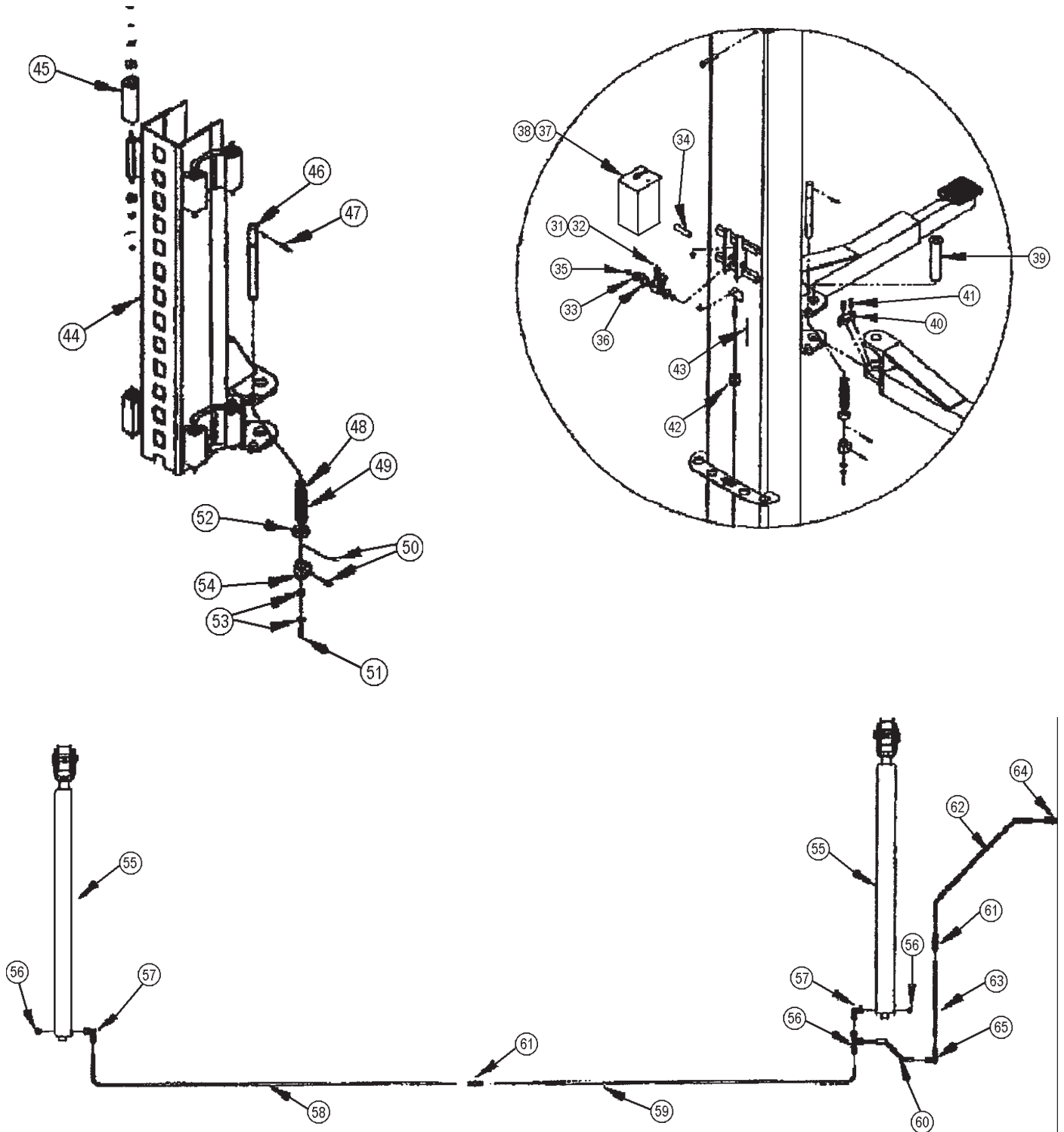
for Model 9000 FC

Item SVI #	OEM #	Req.	Description
1	BH-7116-15	91758	1 Crossover Structure
2	BH-7116-16	95082	4 Anchor Bolt 3/8 x 3-3/4
3	BH-7116-17	91731	1 Actuator Cable
4	BH-7116-26	92037	2 Equalizer Cable 28' 2-3/8"
5	BH-7116-29	91613	4 Arm Structure
6	BH-7116-30	91615	4 Arm Extension Structure
7	BH-7101-14	100082	4 Flatwasher 3/8"
8	BH-7116-31	101025	4 Self Tapping Screw
*	BH-7116-32	91555	4 Lift Pad Assembly
9	BH-7116-33	91558	1 Lift Pad Structure
10	BH-7116-34	91559	1 Bolt On Lift Pad
11	BH-7116-35	100179	2 Self Locking Screw
12	BH-7116-36	91560	4 2-5/8" Lift Pad Extension
13	BH-7116-37	91562	4 5" Lift Pad Extension
14	BH-7116-02	91729	1 RH Post Structure
15	BH-7116-03	91733	1 LH Post Structure
16	BH-7116-11	91750	2 Mount Sheave Upper
17	F-HC-0375-16-3500	101032	4 Hexhead Capscrew
18	BH-7116-13	91754	2 Bar Tie
19	BH-7110-74	100238	10 Washer Head Screw
20	BH-7110-76	100238	10 Self Locking Hex Nut
21	BH-7006-01		1 2 HP, 1PH Power Unit
22	BH-7110-73	100234	4 Hex Screw 5/16"
23	BH-7110-75	100237	4 Self Locking Hex Nut 5/16"
24	BH-7116-06	91748	2 Sheave Assembly
25	BH-7116-08	91565	4 Sheave
26	BH-7116-09	103000	6 Snap Ring 3/4"
27	BH-7116-10	100512	6 Flatwasher 3/4"
28	BH-7116-07	91755	2 Overhead Sheave Shaft Structure
29	BH-7075-03L	95083	12 3/4 x 5-1/2 Wedge Anchor
30	BH-7512-92	95001	1 Shim Kit 150 pcs, 3 sizes
31	BH-7116-18	91599	1 RH Carriage Latch
32	BH-7116-19	91600	1 LH Carriage Latch
*	BH-7116-20	91761	1 Carriage Stop Handle

Item SVI #	OEM #	Req.	Description
33	BH-7116-10	100512	4 Flat Washer 3/4"
*	BH-7116-21	91575	1 Knob
34	BH-7116-22	91576	2 Carriage Stop Pivot Pin
35	BH-7116-09	103000	4 Snap Ring 3/4"
36	BH-7116-23	103016	2 Carriage Stop Torsion Spring
37	BH-7116-24	91762	1 Latch Cover Power Unit Side
38	BH-7116-25	91763	1 Latch Cover Offside
39	BH-7116-38	91063	4 Arm Pin Structure
40	BH-7116-45	91584	4 Arm Restraint Gear
41	BH-7116-46	101028	8 Capscrew 3/8 x 1
42	BH-7116-60	103020	4 Four Way Cable Tie
43	BH-7116-61	103025	4 Tie Wrap
44	BH-7116-04	92016	2 Carriage Structure
45	BH-7106-07	91564	16 Bearing Block
46	BH-7116-39	91581	4 Arm Restraint Shaft
47	F-RP-250-2500	103018	4 Roll Pin
48	BH-7116-44	103019	4 Snap Ring 1"
49	BH-7116-41	103017	4 Arm Restraint Actuating Spring
50	F-RP-0187-500	103009	8 Roll Pin
51	BH-7116-47	101027	4 Capscrew 5/16 x 3/4
52	BH-7101-50	100143	4 Flatwasher 1"
53	BH-7116-48	100088	8 Flatwasher 5/16"
54	BH-7116-40	91582	4 Locking Gear
55	BH-7116-49	91732	2 Cylinder Assembly
56	BH-7116-58	105041	3 Swivel Nut Run Tee
57	BH-7116-57	105040	2 Straight Thread Elbow
58	BH-7116-56	91770	1 Hydraulic Line
59	BH-7116-55	91769	1 Hydraulic Line
60	BH-7116-54	91768	1 Hydraulic Line
61	BH-7116-51	105032	2 Tube Union
62	BH-7116-52	91766	1 Hydraulic Line
63	BH-7116-53	91768	1 Hydraulic Line
64	BH-7116-50	105023	1 Straight Connector
65	BH-7116-59	105042	1 Union Elbow

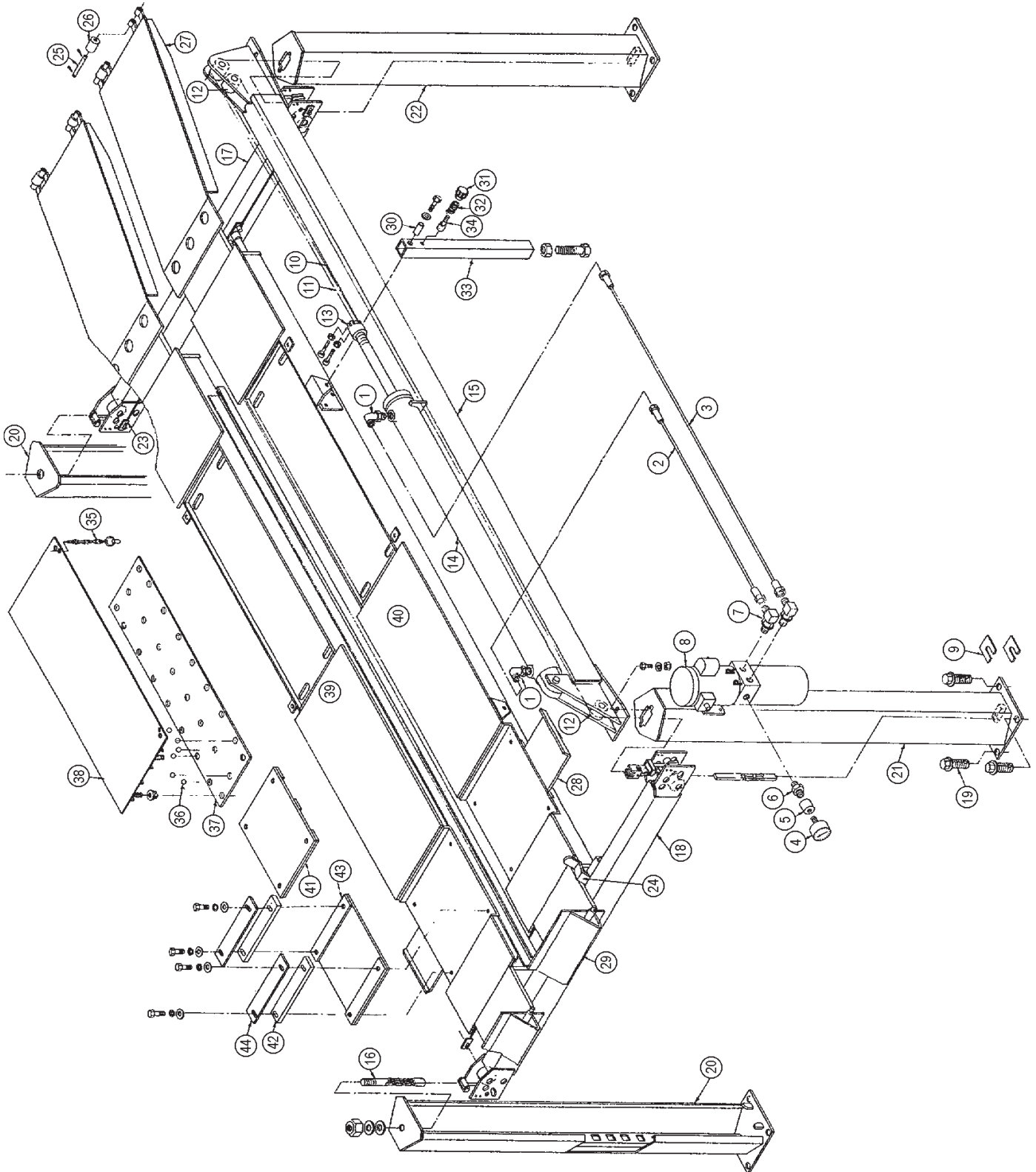
* Not Pictured

for Model 9000 FC





for Model FAR 12



P
a
g
e



for Model FAR 12

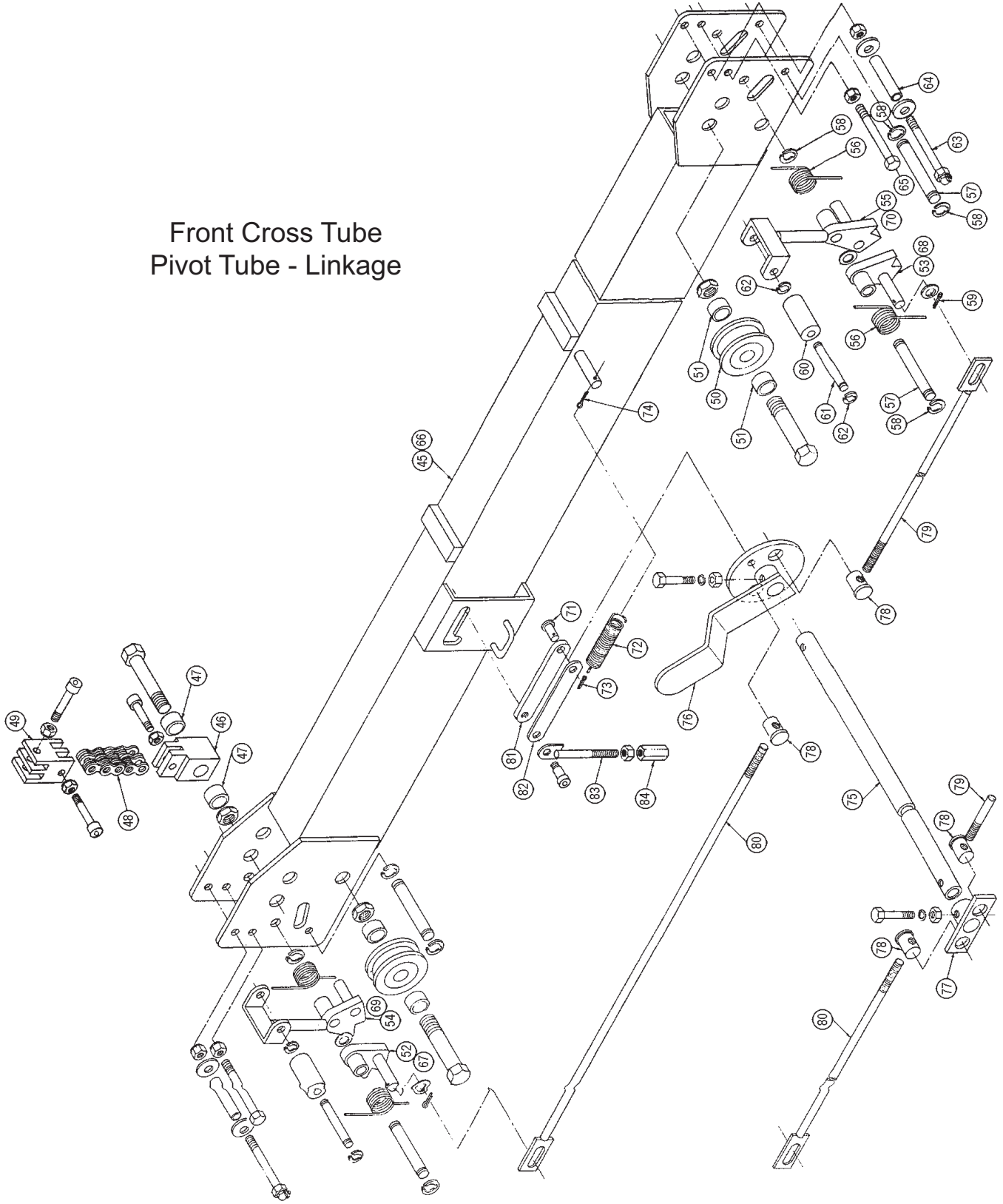
Item SVI #	OEM #	Req.	Description
1	BH-7101-59	80131	2 90° Male Elbow
2	BH-7100-93	80126	1 1/2" ID Hose Assy Short
3	BH-7101-60	80125	4 1/2" ID Hose Assy Long
4	BH-7101-61	80124	1 Dry Pressure Gauge
5	BH-7111-65	82066	1 Coupling (MTE Only)
6	BH-7111-71	61496	1 Hex Nipple (MTE Only)
7	BH-7110-63	82056	2 90° Elbow
8	BH-7006-01		1 Power Unit 1PH, 2HP
9	BH-7512-92	80589	1 Shim Kit 150 pcs, 3 sizes
10	BH-7111-83	81118	1 Leaf Chain Long
11	BH-7111-82	81117	1 Leaf Chain Short
12	BH-7102-40	80028	3 Roller
13	BH-7101-25	80079	1 Cylinder End Connector
14	BH-7100-68	80078	1 Hydraulic Cylinder 72" Stroke
15	BH-7100-95	80001	1 Upper Horizontal Tube Structure
16	BH-7111-81	81721	2 Cross Chain Assy Consists of:
	BH-7101-80	81722	1 Chain
	BH-7101-51	80139	1 Connecting Link
	BH-7101-49	80023	1 Stud Chain Retainer
17	BH-7111-80	83176	1 Rear Cross Tube Assy
18	BH-7111-79	83178	1 Front Cross Tube Assy
19	BH-7075-03L	80062	16 3/4 x 5-1/2 Wedge Anchor
20	BH-7110-23	81053	2 Passenger Front Column
21	BH-7101-57	81052	1 Driver Column Power Unit Mount
22	BH-7101-58	81051	1 Driver Column
23	BH-7111-87	83239	2 Adjusting Rod Straight Long
24	BH-7101-54	81088	1 Handle Assy
25	BH-7111-31	83238	4 Pin Roller
26	BH-7111-30	83237	4 Roller
27	BH-7111-86	83440	2 Ramp Structure
28	BH-7111-28	83228	2 Plate Stand

Item SVI #	OEM #	Req.	Description
29	BH-7111-27	83460	2 Front Stop & Chock Structure
30	BH-7101-12	83222	4 Tube Spacer
31	BH-7101-09	60698	4 Knob
32	BH-7101-08	100290	4 Compression Spring
33	BH-7111-25	83218	4 Leg Structure 30" Long
33	BH-7111-26	83277	4 Leg Structure 24" Long
34	BH-7101-07	83221	4 Pull Pin
35	BH-7111-24	83243	4 Pin Chain
36	BH-7107-02	81529	50 Ball Bearing Retainer
37	BH-7107-01	83215	2 Slip Plate Retain Sheet
38	BH-7111-22	83211	2 Cover Structure Slip Plate
39	BH-7111-85	83183	1 RH Track Structure
40	BH-7111-84	83182	1 LH Track Structure
-	BH-7111-33	83247	1 Turntable Mounting Pkg Ammco/FMC/Hunter/Bee Line
41	BH-7111-38	83252	2 Spacer Structure / Ammco ...
42	BH-7111-40	83256	4 Adjusting Bar 1/2" / Ammco ...
-	BH-7111-34	83248	1 Turntable Mounting Pkg/Bear
43	BH-7111-39	83257	2 Spacer Structure / Bear
42	BH-7111-41	83259	4 Adjusting Bar 1/2" / Bear
44	BH-7111-42	82360	4 Adjusting Bar 1/8" / Bear
-	BH-7111-35	83249	1 Turntable Mounting Pkg / Bender
42	BH-7111-43	83261	4 Adjusting Bar 1/2" / JH Bender
44	BH-7111-44	83262	4 Adjusting Bar 1/4" / JH Bender
-	BH-7111-36	83250	1 Turntable Mounting Pk/Bishamon
43	BH-7111-39	83257	2 Spacer Structure / Bishamon
44	BH-7111-45	83263	4 Adjusting Bar 1/4" / Bishamon
-	BH-7111-37	83251	1 Turntable Mounting Pkg Snap on
42	BH-7111-46	83264	4 Adjusting Bar 1/2" Snap-On
44	BH-7111-47	83265	4 Adjusting Bar 1/4" Snap-On



for Model FAR 12

Front Cross Tube Pivot Tube - Linkage





for Model FAR 12

Item SVI #	OEM #	Req.	Description
-	BH-7111-79	83178	1 Front Cross Tube Assy (#s 45-65)
45	BH-7111-88	83179	1 Front Cross Tube Structure
46	BH-7101-70	81083	1 Lower Chain Retainer
47	BH-7101-69	81084	2 Spacer
48	BH-7101-68	81085	1 Chain Extension
49	BH-7101-45	81086	1 Upper Chain Retainer
50	BH-7102-40	80025	2 Yoke Roller
51	BH-7102-42	81067	4 Spacer
52	BH-7110-12	81068	1 LH Latch Catch
53	BH-7110-11	81069	1 RH Latch Catch
54	BH-7110-17	81074	1 Latch Structure Slack Chain LH
55	BH-7110-24	81075	1 Latch Structure Slack Chain RH
56	BH-7110-13	81072	4 Torsion Spring
57	BH-7100-89	81073	4 Shaft 5/8"
58	BH-7100-88	100276	8 Retaining Ring
59	BH-7102-29	100175	2 Cotter Pin
60	BH-7102-38	81079	2 Roller
61	BH-7102-39	81080	2 Shaft 3/8"
62	BH-7100-86	80683	4 Retaining Ring 3/8"
63	BH-7110-18	81479	2 Hex Screw w/Grease Fitting
64	BH-7102-31	81176	2 Tube Spacer
65	F-HC-0375-16-4000	81081	2 Hex Screw
-	BH-7111-80	83176	1 Rear Cross Tube Assy See Front Tube Layout
46	BH-7101-70	81083	1 Lower Chain Retainer
47	BH-7101-69	81084	2 Spacer
48	BH-7101-68	81085	1 Chain Extension
49	BH-7101-45	80186	1 Upper Chain Retainer
50	BH-7102-40	80028	2 Yoke Roller
51	BH-7102-42	81067	4 Spacer

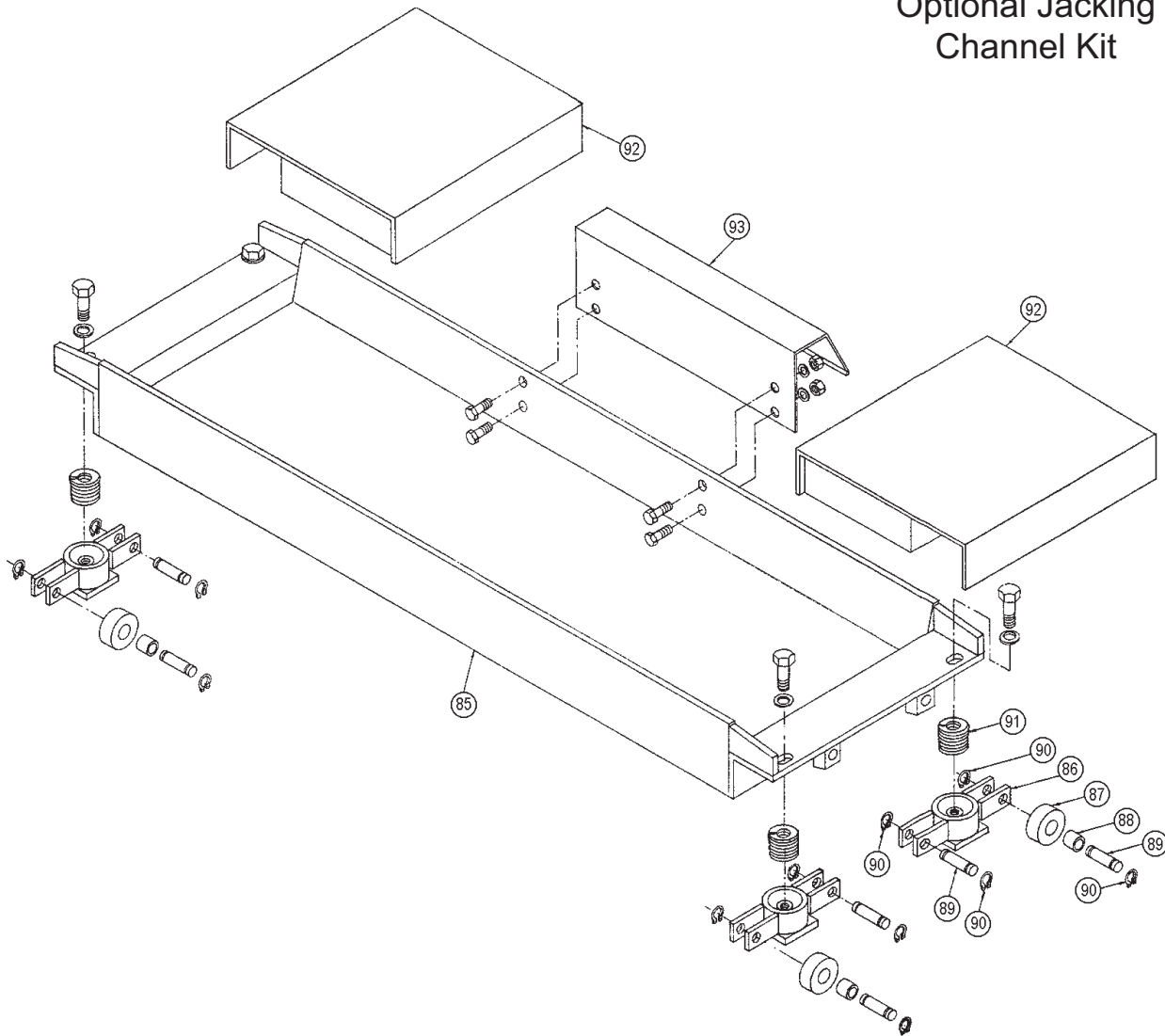
Item SVI #	OEM #	Req.	Description
56	BH-7110-17	81072	4 Torsion Spring
57	BH-7100-89	81073	4 Shaft 5/8"
58	BH-7100-88	100276	8 Retaining Ring 5/8"
59	BH-7102-29	100175	2 Cotter Pin
60	BH-7102-38	81079	2 Roller
61	BH-7102-39	81080	2 Shaft 3/8"
62	BH-7100-86	80683	4 Retaining Ring 3/8"
63	BH-7110-18	81479	2 Hex Screw w/Grease Fitting
64	BH-7102-31	81176	2 Tube Spacer
65	F-HC-0375-16-4000	81081	2 Hex Screw
66*	BH-7111-90	83177	1 Rear Cross Tube Structure
67*	BH-7110-11	81069	1 RH Latch Catch
68*	BH-7110-12	81068	1 LH Latch Catch
69*	BH-7110-24	81075	1 RH Slack Chain
70*	BH-7110-17	81074	1 LH Slack Chain
71	BH-7101-19	81103	1 Pin
72	BH-7110-14	100154	1 Spring
73	F-CP-125-0750	100175	1 Cotter Pin 3/4"
74	F-CP-125-1000	100190	1 Cotter Pin 1"
75	BH-7101-74	81112	1 Tube Structure Pivot
76	BH-7101-54	81088	1 Handle Assy
77	BH-7101-72	81092	1 Pivot Structure Trip Release
78	BH-7110-20	81095	4 Pivot Pin
79	BH-7111-87	83239	2 Adjusting Rod Straight Long
80	BH-7111-92	83241	2 Adjusting Rod Straight Short
81	BH-7101-20	81102	1 Bar Tapped
82	BH-7101-22	81101	1 Bar
83	BH-7101-23	81251	1 Rod Structure 3/8"
84	BH-7105-09	81253	1 Nut

* Not Pictured Correctly



for Model FAR 12

Optional Jacking
Channel Kit

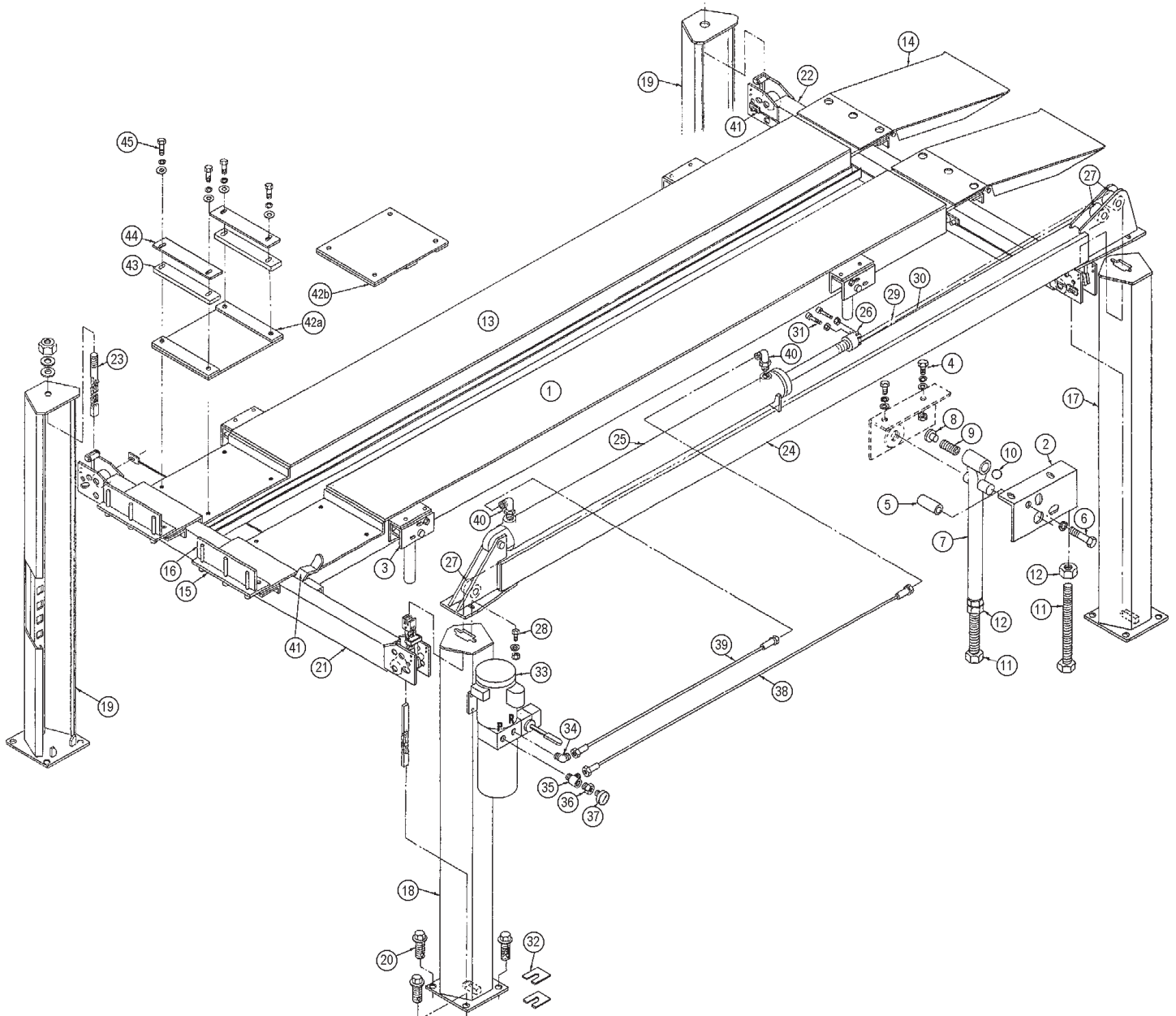


Item SVI #	OEM #	Req.	Description
- BH-7111-53	83472	1	Jacking Channel
One Channel Consists of:			
- BH-7111-54	83473	1	Jacking Channel Assy
85	BH-7111-55	1	Jacking Channel Structure
86	BH-7111-56	4	Spring Support Structure
87	BH-7111-57	4	Roller

Item SVI #	OEM #	Req.	Description
88	BH-7111-58	4	Bronze Bushing
89	BH-7111-59	8	Pin
90	BH-7111-60	16	Retaining Ring
91	BH-7111-61	4	Die Spring
92	BH-7111-62	2	Jack Support Structure
83	BH-7111-63	1	Shield



for Models LMA 12, LMA 9



Item SVI #	OEM #	Req.	Description
1	BH-7114-75	81675	1 LH Track Assy LMA 12
1	BH-7114-76	81506	1 LH Track Assy LMA 9
LH Track Assy Consists of: #'s 2-12			
-	BH-7114-77	81677	1 LH Truck Structure LMA 12
-	BH-7114-78	81508	1 LH Truck Structure LMA 9
2	BH-7114-79	81522	1 Bracket Structure (Rear)
3	BH-7114-81	81523	1 Bracket Structure (Front)
4	BH-7114-82	12970	4 Hex Screw

Item SVI #	OEM #	Req.	Description
5	BH-7114-83	81532	2 Stop Roller
6	BH-7114-80	81528	2 Hex Screw
7	BH-7114-84	81533	2 Leg Structure
8	BH-7114-85	81531	2 Plunger Spring
9	BH-7113-25	81530	2 Compression Spring
10	BH-7107-02	81529	2 Ball Bearing
11	BH-7101-10	81527	4 All Thread Hex Screw
12	BH-7114-86	CP-185	4 Hex Nut

Parts list continued on page 54.



for Models LMA 12, LMA 9

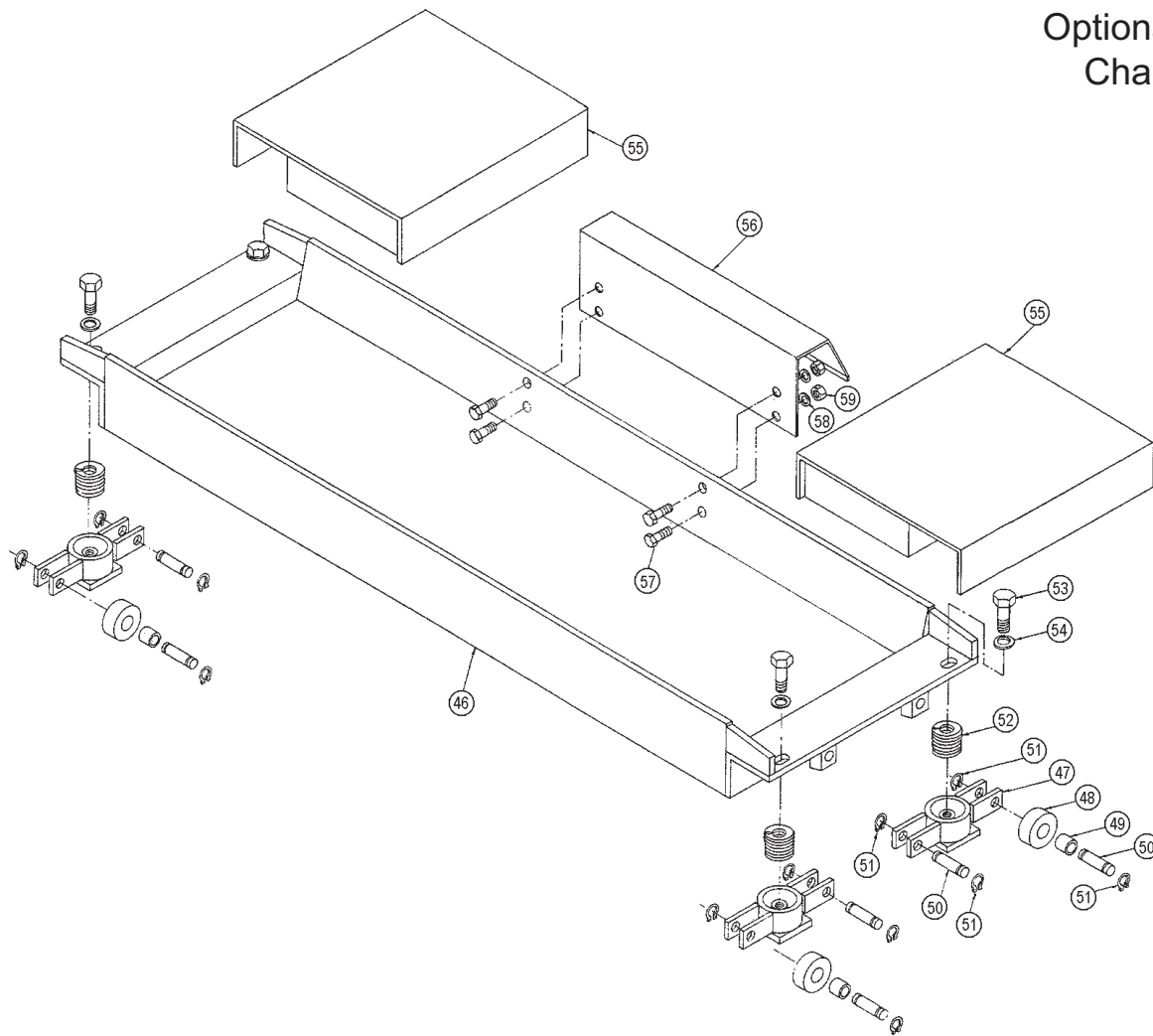
See page 53 for breakdown.

Table with 4 columns: Item SVI #, OEM #, Req., Description. Lists various parts for LMA 12 and LMA 9 models, including RH Track Assy, Ramp Assy, Stop Support Structure, etc.

Table with 4 columns: Item SVI #, OEM #, Req., Description. Lists various parts for LMA 12 and LMA 9 models, including Leaf Chain, Power Unit, Elbow, Tee, Bushing, Gauge, Hose, etc.

for Models LMA 12, LMA 9

**Optional Jacking
Channel Kit**

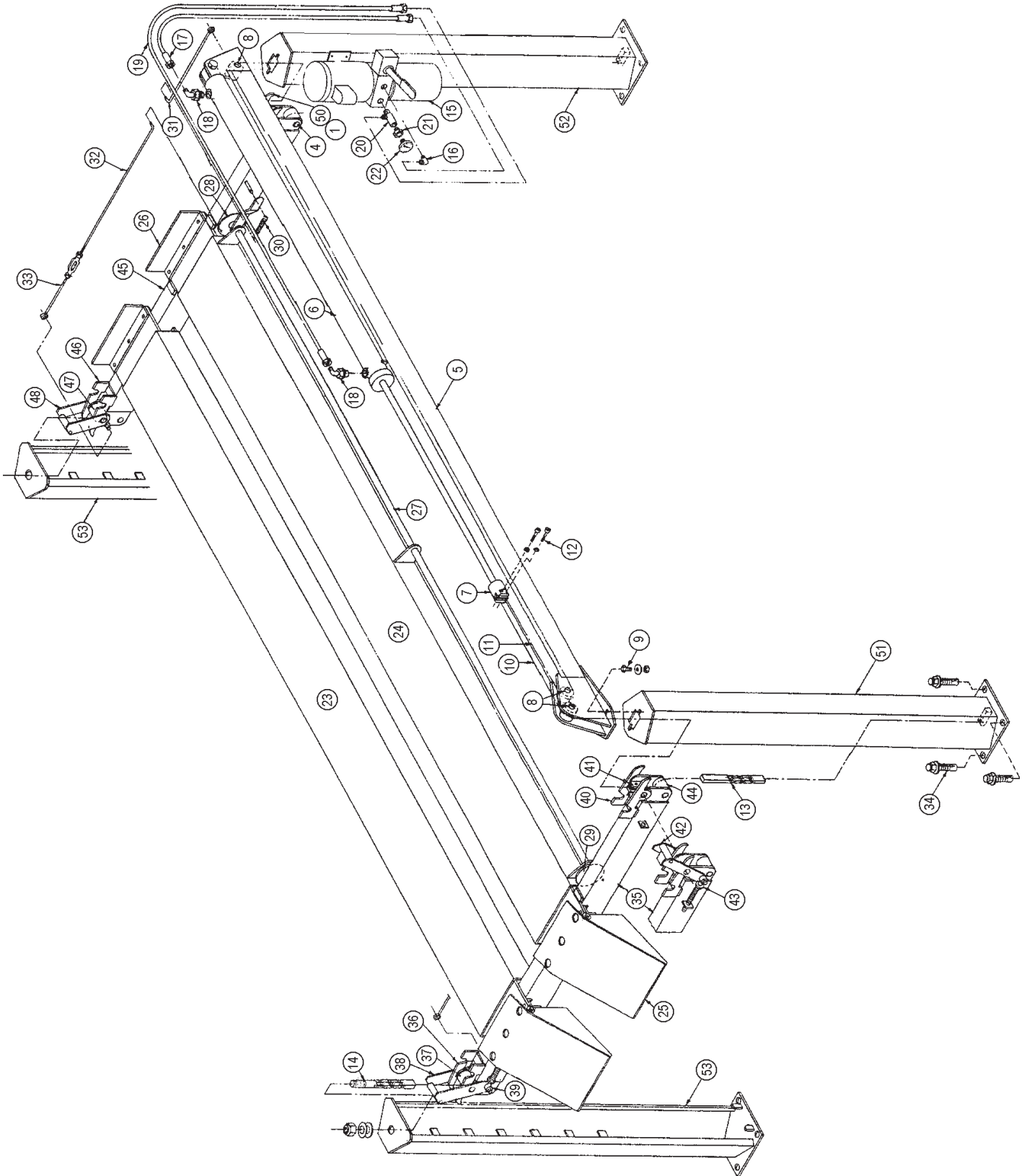


ItemSVI #	OEM #	Req.	Description
-	BH-7115-14	81575	1 Jacking Channel Kit Consists of:
-	BH-7115-15	81544	1 Jacking Channel Assembly
46	BH-7115-16	81545	1 Jacking Channel Structure
47	BH-7111-56	81550	4 Spring Support Structure
48	BH-7111-57	81556	4 Roller
49	BH-7111-58	81557	4 Bronze Bushing
50	BH-7111-59	81558	8 Pin
51	BH-7111-60	81559	16 Retaining Ring

ItemSVI #	OEM #	Req.	Description
52	BH-7111-61	81555	4 Die Spring
53	BH-7115-17	14906	4 Hex Screw
54	BH-7115-18	CP-8758	4 Flat Washer
55	BH-7111-62	81570	2 Jack Support Structure
56	BH-7111-63	81574	1 Shield
57	BH-7115-19	CP-8953	4 Hex Screw
58	BH-7115-20	CP-69	4 Lock Washer
59	BH-7115-21	CP-68	4 Hex Nut



for Model LMT 6



P
a
g
e



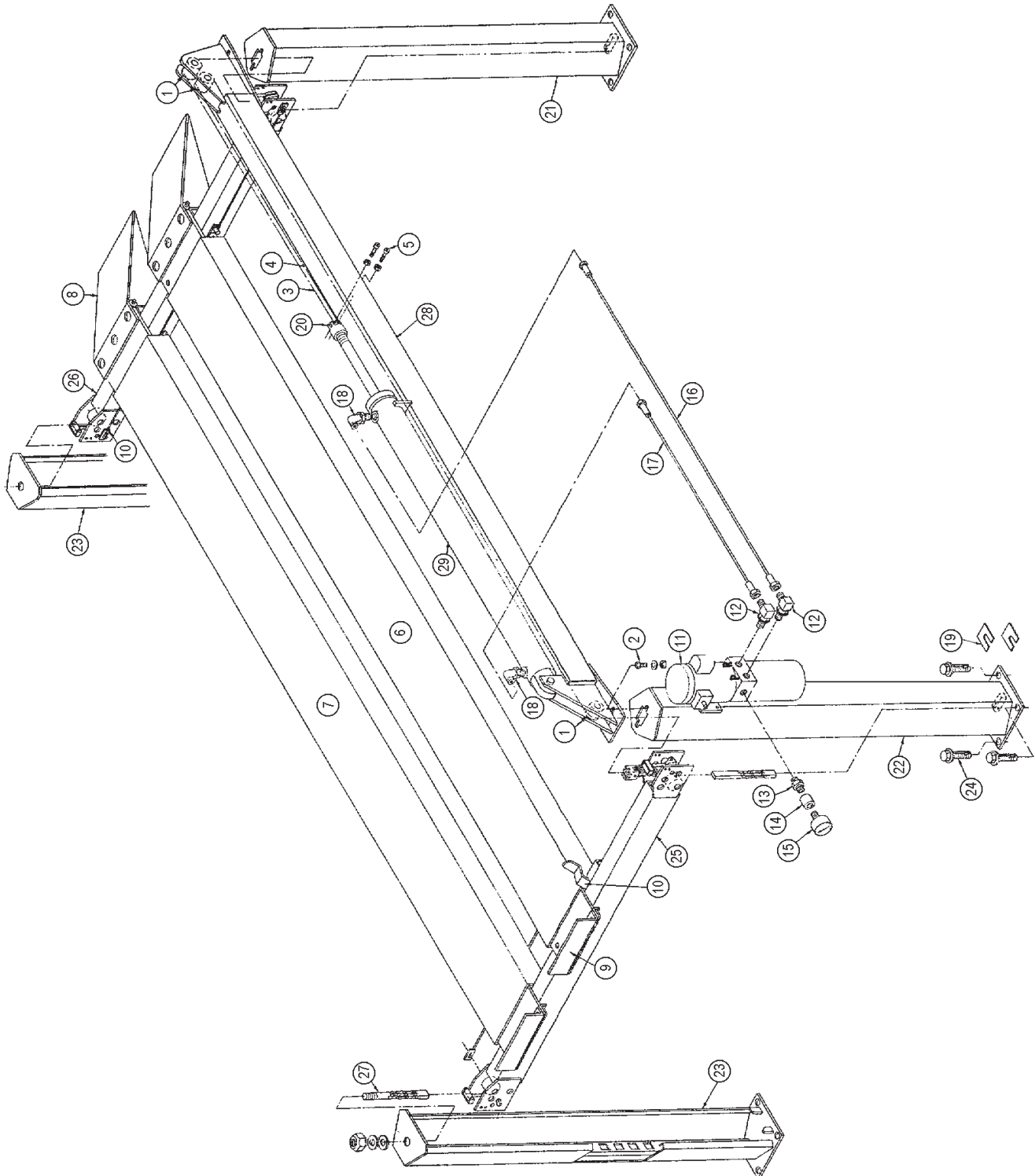
for Model LMT 6

Item SVI #	OEM #	Req.	Description
1	BH-7114-14	80619	1 Chain Retainer
2*	BH-7114-19	80790	1 Slack Chain Structure
3*	BH-7114-12	80797	1 Rod Structure Tension
4	BH-7102-40	80028	1 Roller
5	BH-7114-20	80599	1 Upper Horizontal Tube Structure
6	BH-7114-21	80607	1 Hydraulic Cylinder 66" Stroke
*	BH-7114-22	80608	1 Cylinder Seal Kit
7	BH-7114-23	80606	1 Cylinder End Connector
8	BH-7102-40	80028	1 Roller
9	BH-7110-78	80453	4 Hex Screw
10	BH-7114-24	80638	1 Leaf Chain, Short
11	BH-7114-25	80637	1 Leaf Chain, Long
12	BH-7100-98	80063	4 Cap Screw
-	BH-7114-26	80635	2 Cross Chain Assy w/Adj Stud
13	BH-7114-27	80636	1 Chain
	BH-7101-51	80139	2 Connecting Link
14	BH-7101-49	80023	1 Special Stud
15	BH-7006-01		1 Power Unit 1 PH, 2 HP
16	BH-7101-64	80133	1 90° Male Elbow
17	BH-7100-93	80126	1 Short Hose Assy 1/2 ID
18	BH-7101-59	80131	2 90° Male Elbow
19	BH-7101-60	80125	1 Long Hose Assy 1/2 ID
20	BH-7101-63	80132	1 Male Branch Tee
21	BH-7101-62 CP-2878		1 Reducer Bushing
22	BH-7101-61	80124	1 Dry Pressure Gauge
23	BH-7114-28	80622	1 Track Structure LH
24	BH-7114-29	80623	1 Track Structure RH
25	BH-7100-55	80631	2 Ramp Structure
26	BH-7100-52	80629	2 Track Stop Angle
	BH-7100-53	80630	2 Angle Retainer
27	BH-7114-30	80633	1 Trip Release Tube
28	BH-7114-31	80533	1 Trip Release Handle Structure

Item SVI #	OEM #	Req.	Description
29	BH-7114-32	80537	1 Trip Release Pivot Structure
30	BH-7101-75 CP-1587		1 Spring
31	BH-7114-33	80640	2 Trip Linkage Rod Structure, Short
32	BH-7114-34	80639	2 Trip Linkage Rod, Long
33	BH-7114-35	80105	2 Turnbuckle Assy
	BH-7114-36	80099	1 Rod End Structure
	BH-7114-37	80096	1 Turnbuckle
34	BH-7075-03L	80062	16 3/4 x 5-1/2 Wedge Anchor
-	BH-7114-08	80610	1 Rear Cross Tube Assy #s 35-44
35	BH-7114-09	80612	1 Rear Cross Tube Structure
36	BH-7114-10	80616	1 Catch Structure
37	BH-7102-40	80028	1 Roller
38	BH-7114-11	80792	1 Slack Chain Structure
39	BH-7114-12	80797	1 Rod Structure Tension
40	BH-7114-13	80617	1 Catch Structure
41	BH-7114-14	80619	1 Chain Retainer
42	BH-7114-15	80789	1 Slack Chain Structure
43	BH-7114-12	80787	1 Rod Structure Tension
44	BH-7102-40	80028	1 Roller
-	BH-7114-16	80611	1 Front Cross Tube Assy #s 45 - 50 & 1 - 4
45	BH-7114-17	80613	1 Front Cross Tube Structure
46	BH-7114-13	80617	1 Catch Structure
47	BH-7102-40	80028	1 Roller
48	BH-7114-18	80791	1 Slack Chain Structure
49*	BH-7114-12	80797	1 Rod Structure Tension
50	BH-7114-10	80616	1 Catch Structure
51	BH-7114-05	80591	1 Post Structure Main
52	BH-7114-06	80592	1 Post Structure Main Pwr. Unit Mount
53	BH-7114-07	80593	2 Post Structure Offside
*	BH-7114-38	80050	1 Tire Chock Structure
* Not Pictured			



for Models LMT 12, SST 12, LMT 9, SST 9





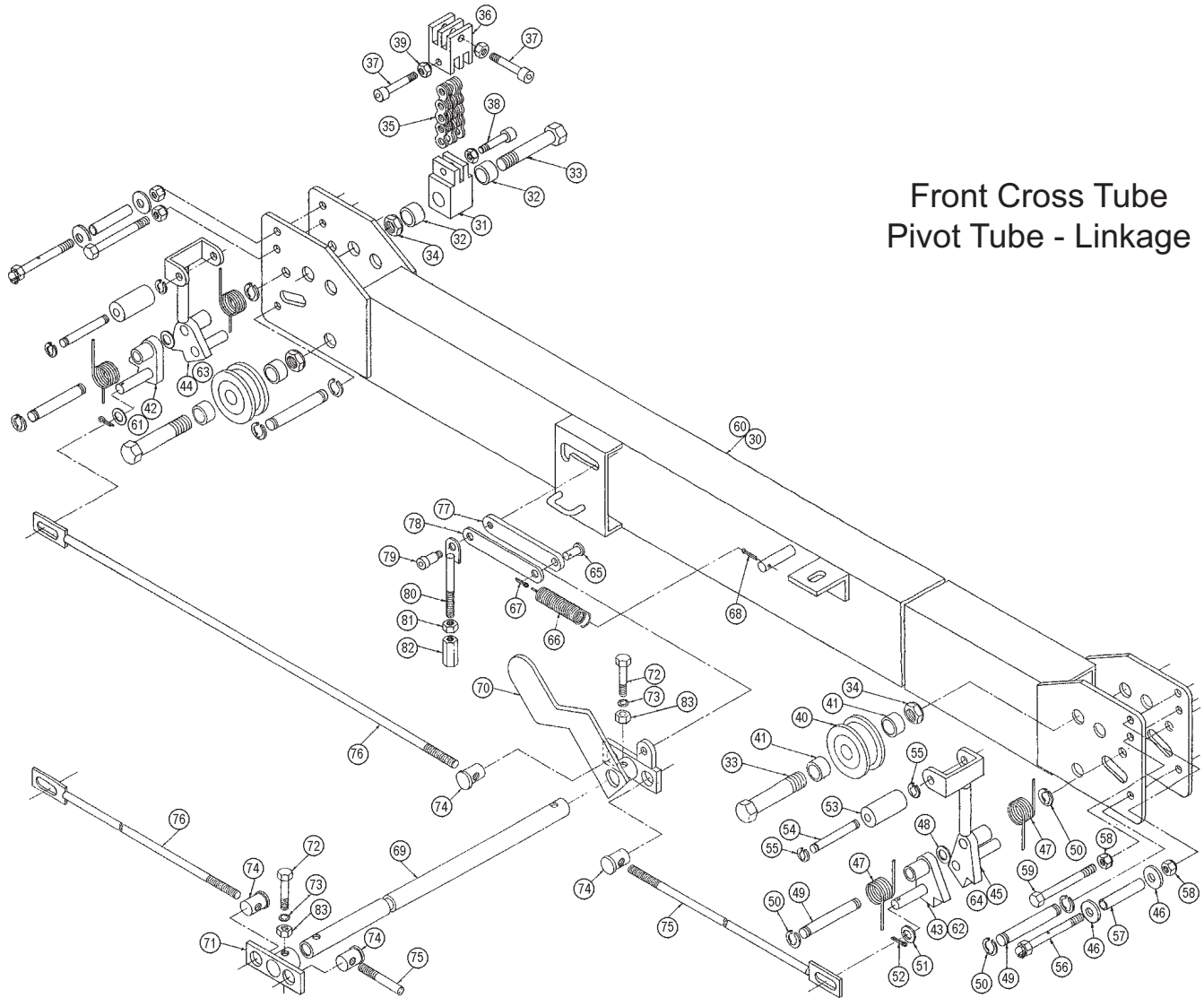
for Models LMT 12, SST 12, LMT 9, SST 9

Item SVI #	OEM #	Req.	Description
1	BH-7102-40	80028	3 Roller
2	BH-7110-78	80453	4 Hex Screw
3	BH-7111-82	81117	1 Leaf Chain Short LMT 12
3	BH-7114-45	81108	1 Leaf Chain Short SST 12, LMT 9, SST 9
4	BH-7111-83	81118	1 Leaf Chain Long LMT 12
4	BH-7114-46	81109	1 Leaf Chain Short SST 12, LMT 9, SST 9
5	BH-7100-98	80063	2 Cap Screw
6	BH-7100-59	81111	1 LH Track Structure LMT 12
6	BH-7114-47	81327	1 LH Track Structure SST 12
6	BH-7101-78	81058	1 LH Track Structure LMT 9, SST 9
7	BH-7100-58	80102	1 RH Track Structure LMT 12
7	BH-7114-48	81328	1 RH Track Structure SST 12
7	BH-7101-77	80112	1 RH Track Structure LMT 9, SST 9
8	BH-7100-54	81340	2 Ramp Assy
	BH-7100-55	80631	2 Ramp Structure
	BH-7100-056	80069	2 Rod (Ramp to Pivot)
	BH-7100-57	80627	2 Ramp Pivot Structure
9	BH-7100-52	80629	2 Track Stop Angle
	BH-7100-53	80630	2 Angle Retainer
10	See Breakdown		1 Handle Pivot Tube Linkage
11	BH-7006-01		1 Power Unit 1PH, 2 HP
12	BH-7110-63	82056	2 90° Male Elbow
13	BH-7111-71	61496	1 Hex Nipple
14	BH-7111-65	82066	1 Coupling
15	BH-7101-61	80124	1 Dry Pressure Gauge
16	BH-7101-60	80125	1 Hose Assy 1/2 ID Long
17	BH-7100-93	80126	1 Hose Assy 1/2 ID Short
18	BH-7101-59	80131	2 90° Male Elbow
19	BH-7512-92	80589	1 Shim Kit 150 pcs, 3 Sizes
20	BH-7101-25	80079	1 Cylinder End Connector
21	BH-7101-58	81051	1 Post Structure Main

Item SVI #	OEM #	Req.	Description
22	BH-7101-57	81052	1 Post Structure Main Pwr. Unit Mount
23	BH-7110-23	81053	2 Post Structure Offside
24	BH-7075-03L	80062	16 3/4 x 5-1/2 Wedge Anchor
25	BH-7101-56	81120	1 Front Cross Tube Assy LMT 12
25	BH-7101-82	81060	1 Front Cross Tube SST 12, LMT 9
25	BH-7114-39	81129	1 Front Cross Tube Assy SST 9
26	BH-7100-99	81119	1 Rear Cross Tube Assy LMT 12
26	BH-7101-81	81059	1 Rear Cross Tube SST 12, LMT 9
26	BH-7114-40	81128	1 Rear Cross Tube Assy SST 9
27	BH-7111-81	81721	2 Cross Chain Assy LMT 12
	BH-7101-80	81722	1 Chain
	BH-7101-49	80023	1 Chain Retainer Bolt
	BH-7101-51	80139	1 Connectng Link
27	BH-7114-41	81723	2 Cross Chain Assy SST 12, LMT 9
	BH-7114-43	81724	1 Chain
	BH-7101-49	80023	1 Chain Retainer Bolt
	BH-7101-51	80139	1 Connecting Link
27	BH-7114-42	81725	2 Cross Chain Assy SST 9
	BH-7114-44	81726	1 Chain
	BH-7101-49	80023	1 Chain Retainer Bolt
	BH-7101-51	80139	1 Connecting Link
28	BH-7100-95	80001	1 Upper Horizontal Tube LMT 12
28	BH-7101-79	80073	1 Upper Horizontal Tube SST 12, LMT 9, SST 9
29	BH-7100-68	80078	1 Hydraulic Cylinder
	BH-7100-83	A80026CK	1 Seal Kit LMT 12 & LMT 9 Serial # <22316
	BH-7100-73	A80078CK	1 Seal Kit LMT 12 & LMT 9 Serial # >22316
	BH-7100-73	A80078CK	1 Seal Kit SST 12 & SST 9
*	BH-7114-49	80980	1 Free Wheeler Device Assy
	BH-7112-73	80335	2 Narrow Side Assy
*	BH-7114-50	83088	1 Muffler Guard Kit
* Not Pictured			



for Models LMT 12, SST 12, LMT 9, SST 9



Front Cross Tube
Pivot Tube - Linkage

Item SVI #	OEM #	Req.	Description
- BH-7101-56	81120	1	Front Cross Tube Assy LMT 12
- BH-7101-82	81060	1	Front Cross Tube Assy LMT 9 SST 12
- BH-7114-39	81129	1	Front Cross Tube Assy SST 9
Front Cross Tube Assy's Consist of #'s 30-59			
30 BH-7101-71	81122	1	Front Cross Tube Structure LMT 12
30 BH-7101-83	81062	1	Front Cross Tube Str. LMT 9 SST 12
30 BH-7114-51	81131	1	Front Cross Tube Str. SST 9
31 BH-7101-70	81083	1	Lower Chain Retainer
32 BH-7101-69	81084	2	Spacer
33 BH-7102-41	80033	3	Hex Screw

Item SVI #	OEM #	Req.	Description
34 BH-7102-00	80034	3	Nylock Thin Nut
35 BH-7101-68	81085	1	Chain Extension
36 BH-7101-45	81086	1	Upper Chain Retainer
37 BH-7114-53	80756	2	Cap Screw
38 BH-7114-54	81185	1	Cap Screw
39 BH-7113-95	80064	3	Nylock Hex Nut
40 BH-7102-40	80028	2	Roller
41 BH-7102-42	81067	4	Spacer
42 BH-7110-12	81068	1	Latch Catch LH
43 BH-7110-11	81069	1	Latch Catch RH

P
a
g
e



for Models LMT 12, SST 12, LMT 9, SST 9

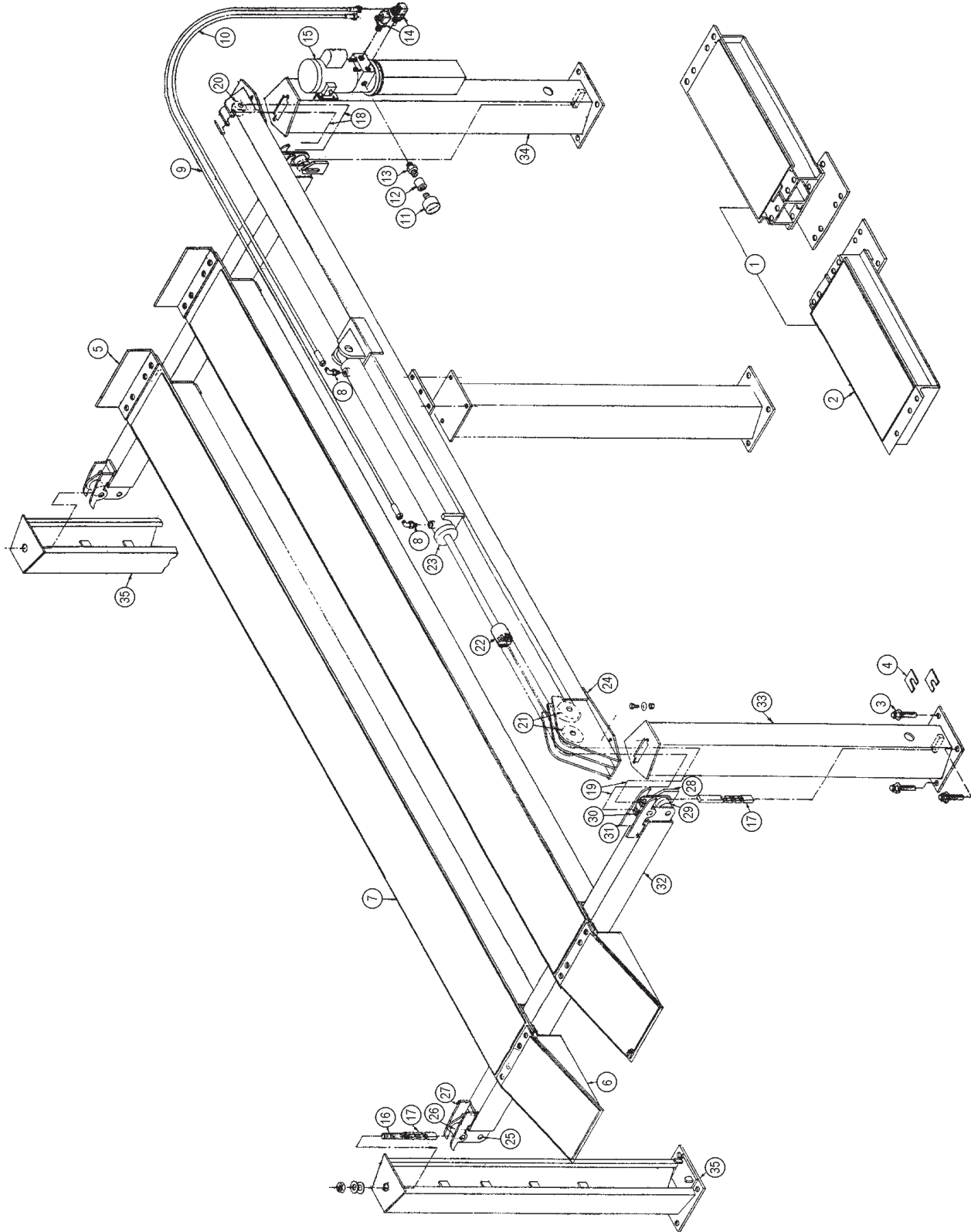
Item SVI #	OEM #	Req.	Description
44	BH-7110-17	81074	1 Slack Cable Latch
45	BH-7110-24	81074	1 Slack Cable Latch
46	BH-7102-11	81206	4 Flat Washer
47	BH-7110-13	81072	4 Torsion Spring
48	BH-7102-30	100155	2 Flat Washer
49	BH-7100-89	81073	4 Shaft
50	BH-7100-88	100276	8 Retaining Ring
51	BH-7110-26	100062	2 Flat Washer
52	F-CP-125-0750	100175	2 Cotter Pin
53	BH-7102-38	81079	2 Roller
54	BH-7102-39	81080	2 Shaft
55	BH-7100-86	80683	4 Retaining Ring
56	BH-7110-18	81479	2 Hex Screw w/Grease Fitting
57	BH-7102-31	81176	2 Tube Spacer
58	F-NL-0375-16	81082	4 Nylock Hex Nut
59	F-HC-0375-16-4000	81081	2 Hex Screw
			Rear Cross Tube Assembly - See Front Tube Layout
-	BH-7100-99	81119	1 Rear Cross Tube Assy LMT 12
-	BH-7101-81	81059	1 Rear Cross Tube Assy LMT 9 SST 12
-	BH-7114-40	81128	1 Rear Cross Tube Assy SST 9
			See Front Tube Layout
60*	BH-7101-76	81121	1 Rear Cross Tube Str. LMT 12
60*	BH-7101-85	81061	1 Rear Cross Tube Str. LMT 9 SST 12
60*	BH-7114-52	81130	1 Rear Cross Tube Str. SST 9
31	BH-7101-70	81083	1 Lower Chain Retainer
32	BH-7101-69	81084	2 Spacer
33	BH-7102-41	80033	3 Hex Screw
34	BH-7102-00	80034	3 Nylock Thin Nut
35	BH-7101-68	81085	1 Chain Extension
36	BH-7101-45	81086	1 Upper Chain Retainer
37	BH-7114-53	80756	2 Cap Screw
38	BH-7114-54	81185	1 Cap Screw
39	BH-7113-95	80064	3 Nylock Hex Nut
40	BH-7102-40	80028	2 Roller
41	BH-7102-42	81067	4 Spacer
61*	BH-7110-11	81069	1 Latch Catch RH
62*	BH-7110-12	81068	1 Latch Catch LH
63*	BH-7110-24	81075	1 Slack Cable Latch
64*	BH-7110-17	81074	1 Slack Cable Latch

Item SVI #	OEM #	Req.	Description
			Rear Cross Tube Assembly Continued
46	BH-7102-11	81206	4 Flat Washer
47	BH-7110-13	81072	4 Torsion Spring
48	BH-7102-30	100155	2 Flat Washer
49	BH-7100-89	81073	4 Shaft
50	BH-7100-88	100276	8 Retaining Ring
51	BH-7110-26	100062	2 Flat Washer
52	F-CP-125-0750	100175	2 Cotter Pin
53	BH-7102-38	81079	2 Roller
54	BH-7102-39	81080	2 Shaft
55	BH-7100-86	80683	4 Retaining Ring
56	BH-7110-18	81479	2 Hex Screw w/Grease Fitting
57	BH-7102-31	81176	2 Tube Spacer
58	F-NL-0375-16	81082	4 Nylock Hex Nut
59	F-HC-0375-16-4000	81081	2 Hex Screw
65	BH-7101-19	81103	1 Pin
66	BH-7110-14	100154	1 Spring
67	F-CP-125-0750	100175	1 Cotter Pin
68	F-CP-125-1000	100190	1 Cotter Pin
69	BH-7101-74	81112	1 Tube Structure Pivot LMT 12
69	BH-7101-84	81087	1 Tube Str. Pivot LMT 9, SST 12, SST 9
70	BH-7101-54	81088	1 Trip Release Handle Structure
71	BH-7101-72	81092	1 Trip Release Pivot Structure
72	BH-7101-55	81483	2 Hex Screw
73	BH-7112-24	100159	2 Lock Washer
74	BH-7110-20	81095	4 Pivot Pin
75	BH-7110-22	81113	2 Adjusting Rod Str, Long LMT 12
75	BH-7106-05	81096	2 Adj. Rod Str Long LMT 9 SST 12
75	BH-7114-55	81139	2 Adjusting Rod Str, Long SST 9
76	BH-7110-21	81115	2 Adjusting Rod Str Short LMT 12
76	BH-7114-57	81099	2 Adj. Rod Str Short LMT 9 SST 12
76	BH-7114-56	81707	2 Adjusting Rod Str Short SST 9
77	BH-7101-220	81102	1 Bar Tapped
78	BH-7101-22	81101	1 Bar
79	BH-7101-24	81107	1 Bolt
80	BH-7101-23	81251	1 Rod Structure
81	BH-7105-08	100127	1 Hex Nut
82	BH-7105-09	81253	1 Nut
83	BH-7112-23	100102	2 Hex Nut

* Not Pictured Correctly



for Model LMT 22





for Model LMT 22

Item SVI #	OEM #	Req.	Description
1	BH-7111-98	80440	1 6' Track Extension
2	BH-7111-97	80811	1 3' Track Extension
3	BH-7075-03L	80062	16 3/4 x 5-1/2 Wedge Anchor
4	BH-7512-92	80589	1 Shim KIT 150 pcs, 3 sizes
5	BH-7101-88	80421	2 Stop Track
-	BH-7111-96	80435	1 Chock Structure
6	BH-7101-87	80422	2 Ramp Structure
7	Bh-7101-89	80414	2 Track Structure
8	BH-7101-59	80131	2 90° Male Elbow
9	BH-7101-91	80365	1 Hose Assy 180" Long
10	BH-7101-92	80364	1 Hose Assy 120" Long
11	BH-7101-61	80124	1 Dry Pressure Gauge
12	BH-7111-65	82066	1 Pipe Coupling (MTE)
13	BH-7111-71	61496	1 Pipe Nipple (MTE)
14	BH-7110-63	82056	2 90° Male Elbow
15	BH-7006-01		1 Power Unit 1PH, 2 HP
16	BH-7101-32	80430	1 Stud Chain Retainer
17	BH-7111-95	81966	1 Chain
18	BH-7111-93	80433	2 Leaf Chain Long

Item SVI #	OEM #	Req.	Description
-	BH-7111-94	81965	2 Cross Chain Assy (# 16 & 17)
19	BH-7112-02	80432	2 Leaf Chain Short
20	BH-7102-40	80028	2 Yoke Roller Assy
21	BH-7101-94	80225	4 Roller Assy
22	BH-7101-96	80412	1 Chain Connector
23	BH-7112-01	80410	1 Hydraulic Cylinder
-	BH-7100-6580410CK		1 Replacement Seal Kit
24	BH-7101-98	80465	1 Upper Horizontal Tube Structure
25	BH-7101-99	80391	1 Trip
26	BH-7102-40	80028	1 Yoke Roller Assy
27	BH-7101-18	80832	1 Catch Structure
28	BH-7101-99	80391	1 Trip
29	BH-7102-40	80028	1 Yoke Roller Assy
30	BH-7104-02	80388	1 Chain Anchor
31	BH-7101-18	80832	1 Catch Structure
-	BH-7112-19	80377	2 Cross Member Assy (#25-32)
32	BH-7102-52	80378	1 Cross Member Structure
33	BH-7112-00	81963	1 Passenger Rear Column
34	BH-7111-99	81962	1 Passenger Front w/Power Unit
35	BH-7102-55	80366	2 Driver Column

for Model LMT 30

See page 64 for breakdown.

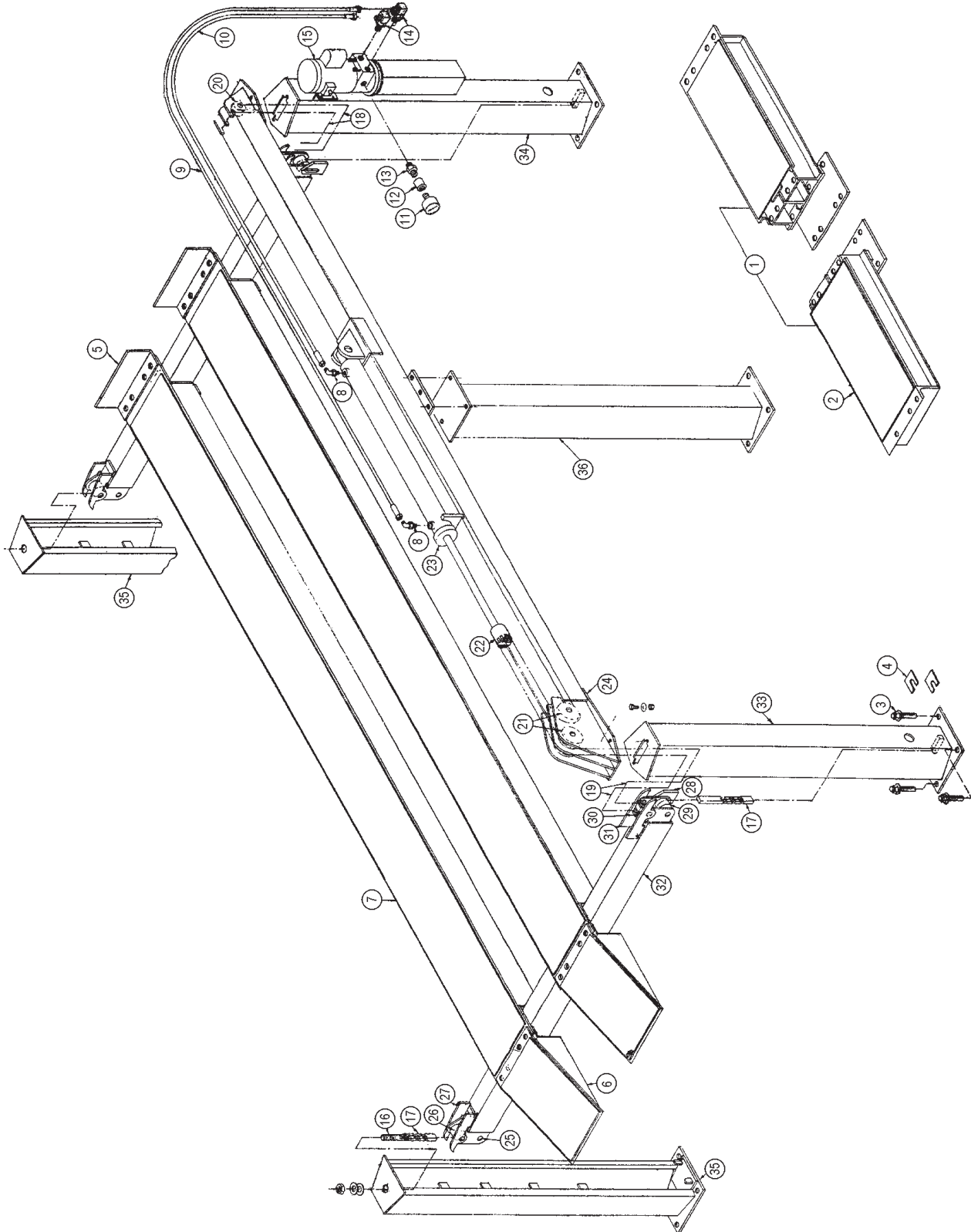
Item SVI #	OEM #	Req.	Description
1	BH-7111-98	80440	1 6' Track Extension
2	BH-7111-97	80811	1 3' Track Extension
3	BH-7075-03L	80362	20 3/4 x 5-1/2 Wedge Anchor
4	BH-7512-92	80589	2 Shim Kit 150 pcs, 3 sizes
5	BH-7101-88	80421	2 Stop Track
-	BH-7111-96	80435	1 Chock Structure
6	BH-7101-87	80422	2 Ramp Structure
7	Bh-7101-89	80414	2 Track Structure
8	BH-7101-59	80131	2 90° Male Elbow
9	BH-7101-91	80365	1 Hose Assy 180" Long
10	BH-7101-92	80364	1 Hose Assy 120" Long
11	BH-7101-61	80124	1 Dry Pressure Gauge
12	BH-7111-65	82066	1 Pipe Coupling (MTE)
13	BH-7111-71	61496	1 Pipe Nipple (MTE)
14	BH-7110-63	82056	2 90° Male Elbow
15	BH-7006-01		1 Power Unit 1 PH, 2 HP
16	BH-7101-32	80942	1 Stud Chain Retainer
17	BH-7115-47	81971	1 Chain
18	BH-7115-48	80944	2 Leaf Chain Long
-	BH-7115-49	81970	2 Cross Chain Assy (# 16 & 17)

Item SVI #	OEM #	Req.	Description
19	BH-7112-18	80943	2 Leaf Chain Short
20	BH-7112-17	80892	2 Yoke Roller Assy
21	BH-7112-16	80937	4 Roller Assy
22	BH-7112-15	80936	1 Chain Connector
23	BH-7112-13	80817	1 Hydraulic Cylinder
-	BH-7112-14	82123	1 Replacement Seal Kit (Prince)
24	BH-7112-12	80896	1 Upper Horizontal Tube Structure
25	BH-7101-99	80391	1 Trip
26	BH-7112-11	80892	1 Yoke Roller Assy
27	BH-7112-09	80891	1 Catch Structure
28	BH-7101-99	80391	1 Trip
29	BH-7112-11	80892	1 Yoke Roller Assy
30	BH-7112-10	80894	1 Chain Anchor
31	BH-7112-09	80891	1 Catch Structure
-	BH-7112-07	80887	2 Cross Member Assy (#25-32)
32	BH-7112-08	80888	1 Cross Member Structure
33	BH-7112-05	81968	1 Passenger Rear Column
34	BH-7112-04	81967	1 Passenger Front w/Power Unit
35	BH-7112-03	80881	2 Driver Column
36	BH-7112-06	82127	1 Center Column

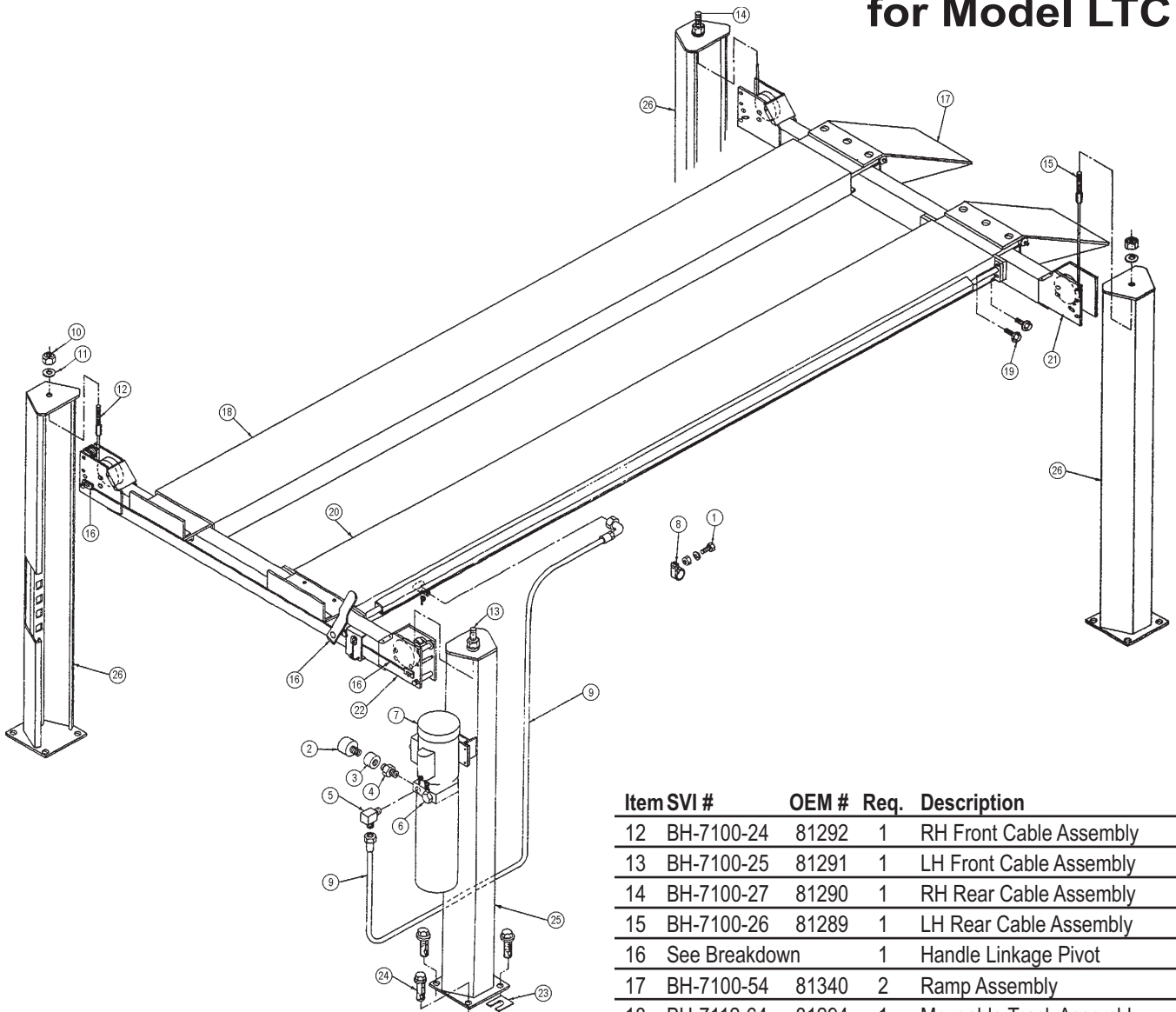


for Model LMT 30

See page 63 for parts list.



for Model LTC 9



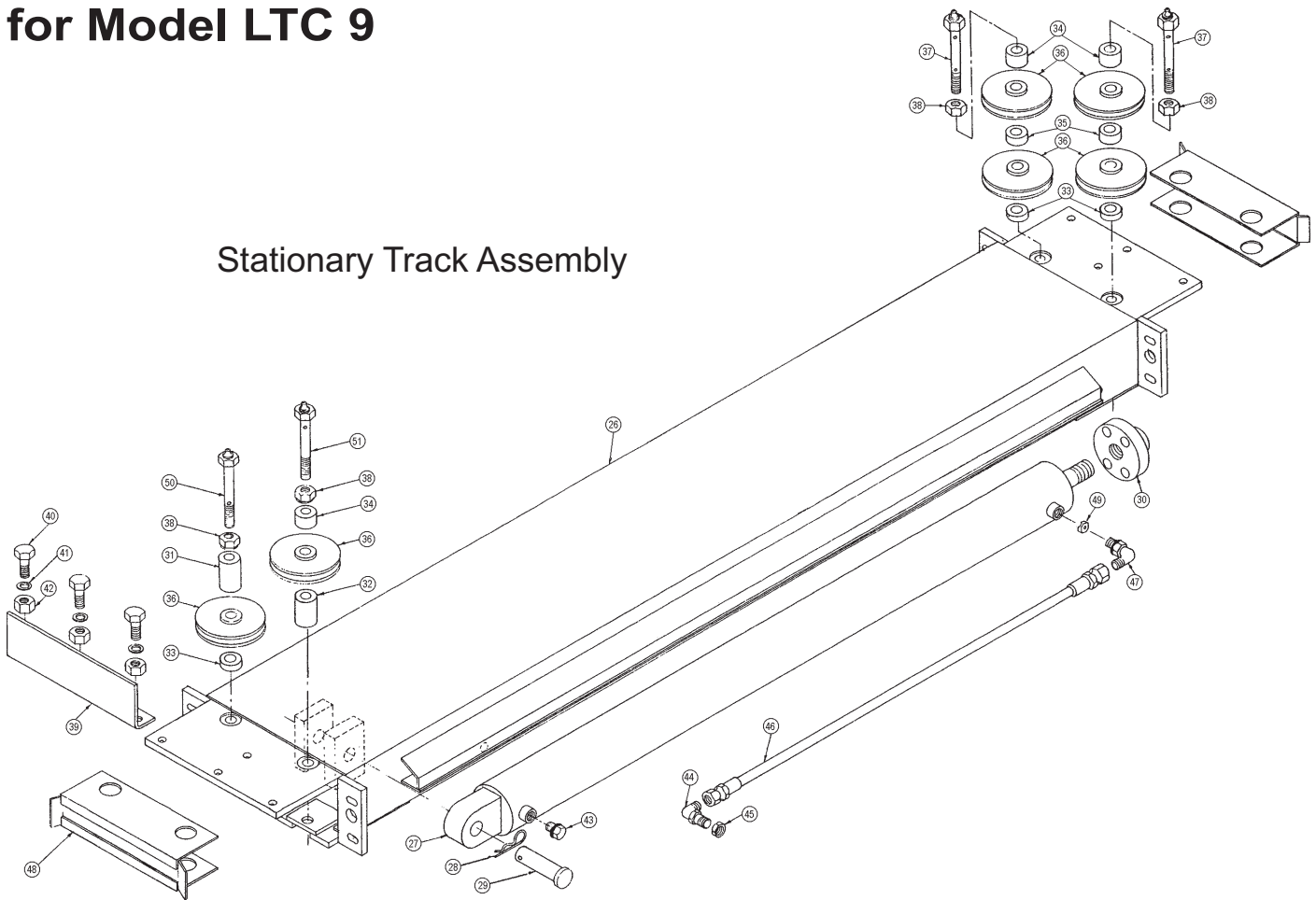
Item SVI #	OEM #	Req.	Description
1	BH-7112-69 100111	1	Hex Screw includes:
	BH-7112-24 100159	1	Lock Washer
	BH-7112-23 100102	1	Hex Nut
2	BH-7101-61 80124	1	Dry Pressure Gauge
3	BH-7111-65 82066	1	Coupling (MTE Only)
4	BH-7111-71 61496	1	Hex Nipple
5	BH-7110-63 82056	1	90° Elbow
6	BH-7110-66 100026	1	Plug
7	BH-7006-01	1	Power Unit 1 PH, 2 HP
8	BH-7112-68 80839	1	Hose Clamp
9	BH-7112-67 81321	1	Hose Assembly 3/8
10	BH-7112-66 80427	8	Nylock Hex Nut
11	BH-7112-65 100170	8	Flat Washer

Item SVI #	OEM #	Req.	Description
12	BH-7100-24 81292	1	RH Front Cable Assembly
13	BH-7100-25 81291	1	LH Front Cable Assembly
14	BH-7100-27 81290	1	RH Rear Cable Assembly
15	BH-7100-26 81289	1	LH Rear Cable Assembly
16	See Breakdown	1	Handle Linkage Pivot
17	BH-7100-54 81340	2	Ramp Assembly
18	BH-7112-64 81294	1	Moveable Track Assembly
19	BH-7112-63 100304	8	HFHSL Screw
20	BH-7112-62 81295	1	Stationary Track Assembly
21	BH-7112-61 81265	1	Rear Cross Tube Assembly
22	BH-7112-60 81264	1	Front Cross Tube Assembly
23	BH-7512-92 80589	1	Shim Kit 150 pcs, 3 sizes
24	BH-7075-03L 80062	16	3/4 x 5-1/2" Wedge Anchors
25	BH-7112-59 81262	1	Post Structure w/Power Unit
26	BH-7112-58 81261	3	Post Structure
*	BH-7112-70 83656	2	Tire Chock
*	BH-7112-71 80333	1	Free Wheel Device Consists of:
*	BH-7112-72 80334	1	Wide Side Assembly
*	BH-7112-73 80335	1	Narrow Side Assembly
*	BH-7112-74 80777	4	Retaining Pin Structure
*	BH-7112-75 100110	4	Hair Pin Clip
* Not Pictured			



for Model LTC 9

Stationary Track Assembly



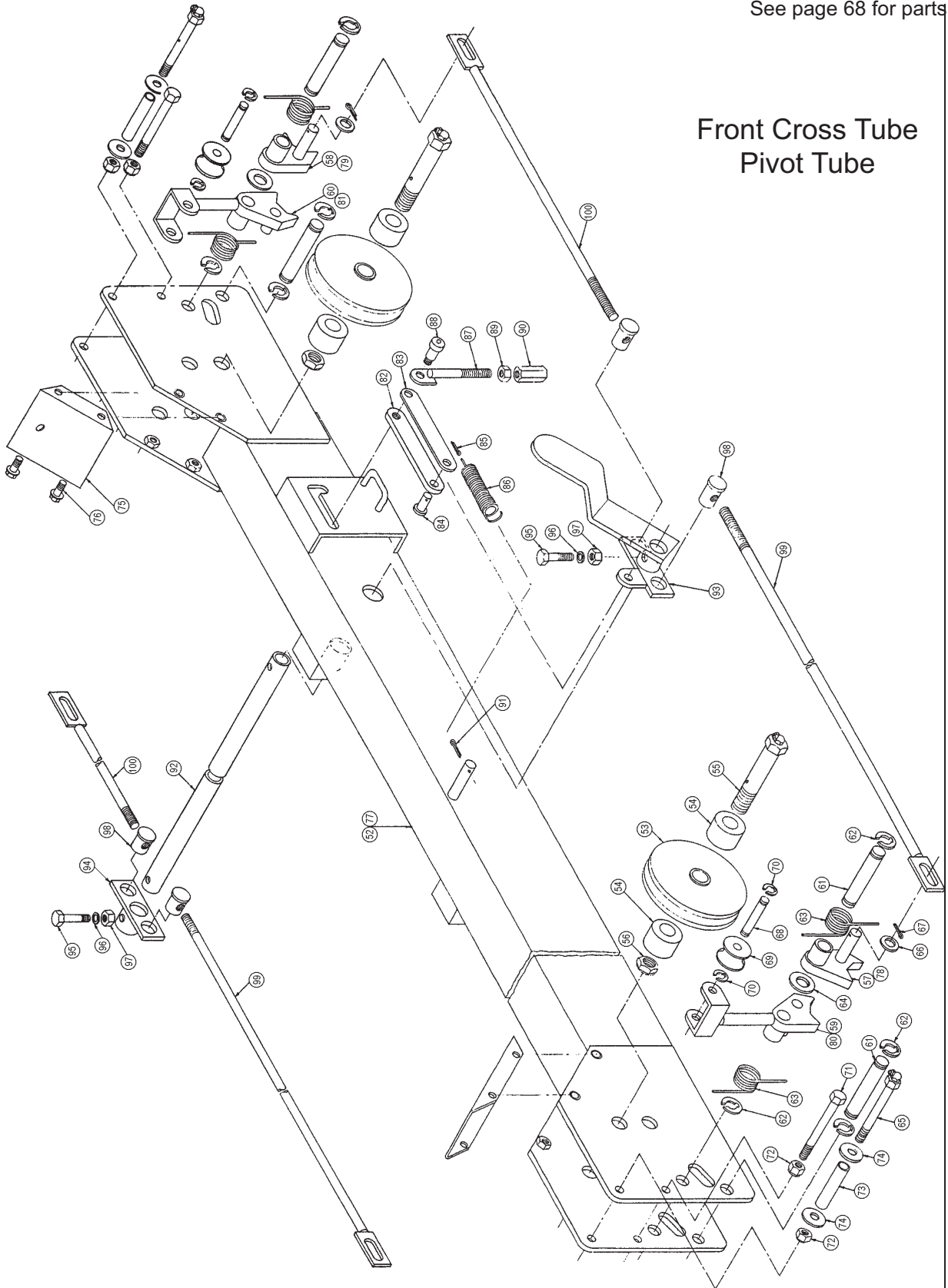
Item SVI #	OEM #	Req.	Description
-	BH-7112-62	81295	1 Stationary Track Assembly
26	BH-7112-76	81299	1 Stationary Track Structure
27	BH-7103-15	81311	1 Hydraulic Cylinder Seal Kit
28	BH-7112-75	100110	1 Hair Pin Clip
29	BH-7112-77	81312	1 Cylinder Pin
30	BH-7112-78	81313	1 Cylinder Adapter
31	BH-7102-02	81316	1 Spacer RH Top
32	BH-7112-79	81315	1 Spacer LH Bottom
33	BH-7102-01	81317	3 Spacer Bottom
34	BH-7102-04	81314	3 Spacer Top
35	BH-7102-05	81323	2 Spacer Center Rear
36	BH-7100-32	82675	6 Cable Sheave Assembly
37	BH-7112-80	82676	2 Hex Screw Assembly
38	BH-7102-00	80034	4 Nylock Nut
39	BH-7100-52	80629	1 Track Stop Angle
40	BH-7110-78	80453	3 Hex Screw

Item SVI #	OEM #	Req.	Description
41	F-LW-0500	100125	3 Lock Washer
42	BH-7112-82	100124	4 Hex Nut
43	BH-7112-83	82130	1 Breather Plug
44	BH-7112-84	81318	1 90° Bulkhead Adapter Elbow
45	BH-7112-85	60051	1 Bulkhead Nut
46	BH-7112-86	81320	1 Hose Assembly 3/8 ID
47	BH-7112-87	60368	1 90° O-Ring Elbow
48	BH-7112-88	81414	2 Cable Guide
*	BH-7100-26	81289	1 Cable Assy Cyl to LH Rear
*	BH-7100-27	81290	1 Cable Assy Cyl to RH Rear
*	BH-7100-25	81291	1 Cable Assy Cyl to LH Front
*	BH-7100-24	81292	1 Cable Assy Cyl to RH Front
*	BH-7112-66	80427	8 Nylock Hex Nut
49	BH-7102-49	81959	1 Orifice
50	BH-7112-89	82680	1 Hex Screw Assembly
51	BH-7117-90	82678	1 Hex Screw Assembly
*	Not Pictured		

for Model LTC 9

See page 68 for parts list.

Front Cross Tube Pivot Tube





for Model LTC 9

See page 67 for breakdown.

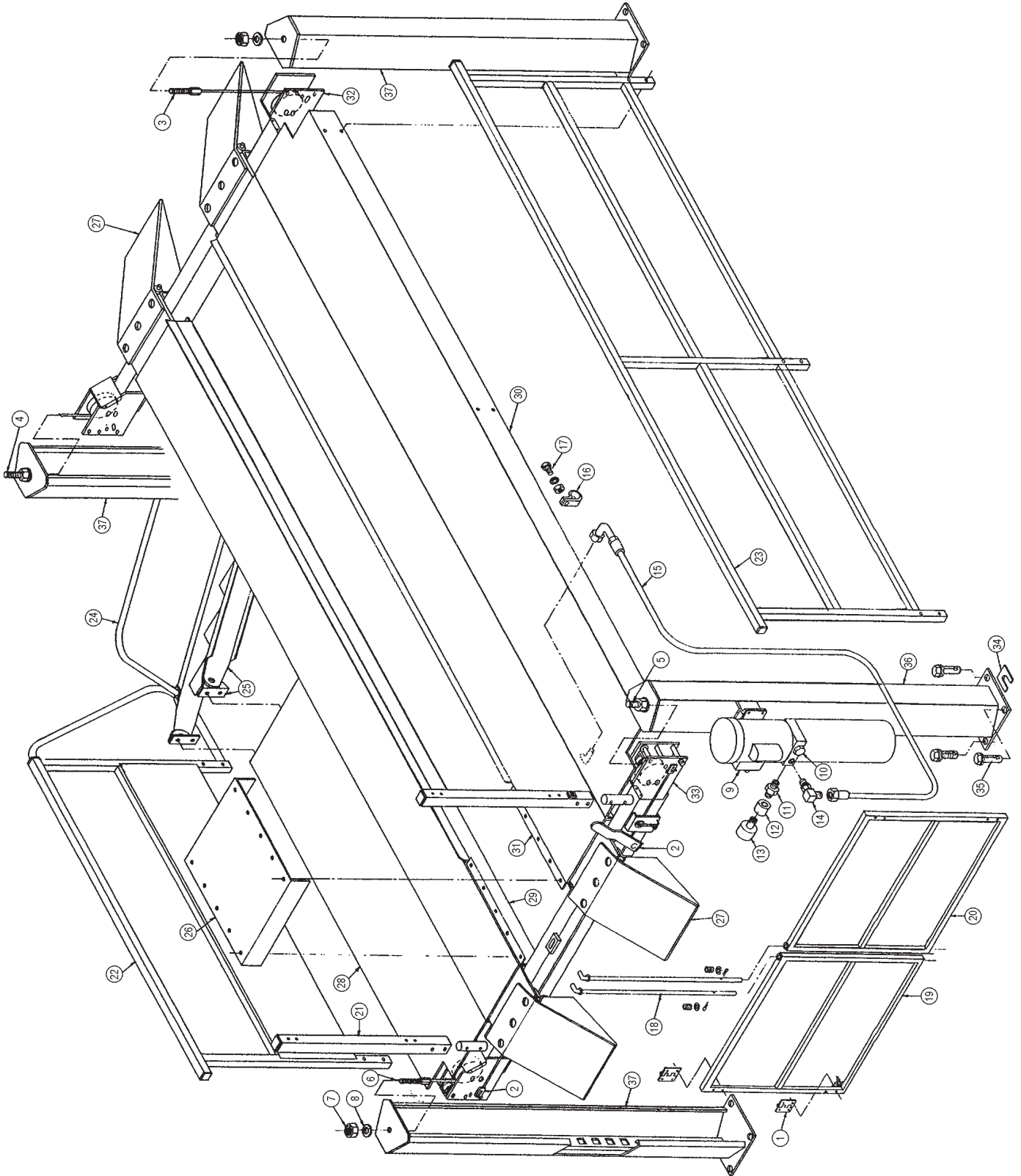
Table with 4 columns: Item SVI #, OEM #, Req., Description. Lists various parts for the front cross tube assembly, including sheaves, bushings, spacers, screws, nuts, and latches.

Table with 4 columns: Item SVI #, OEM #, Req., Description. Lists various parts for the latch structure, retaining rings, slack chain shaft, rollers, and pivot tube linkage.

Page

for Model QLR 2000

See page 70 for parts list.





for Model QLR 2000

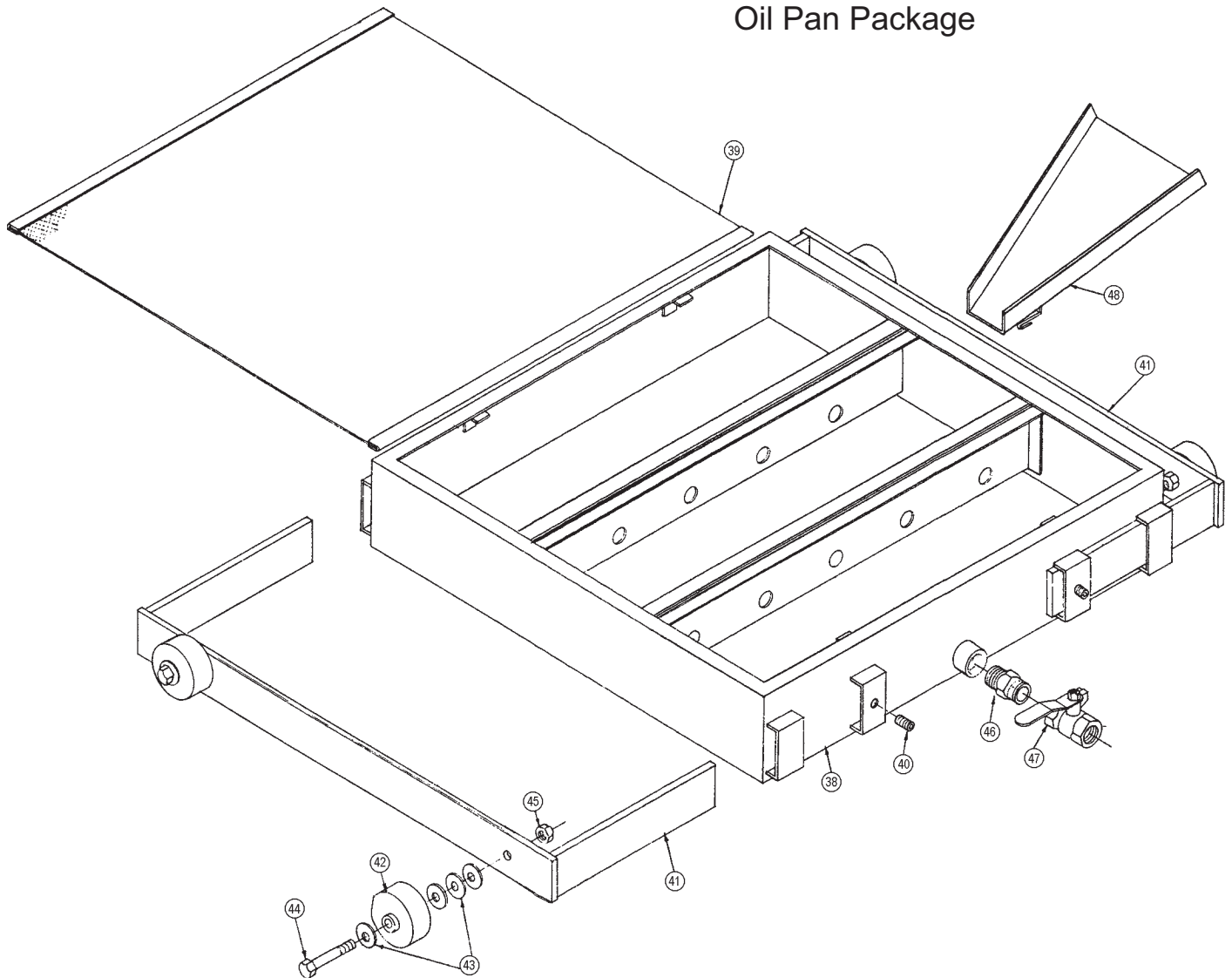
See page 69 for breakdown.

Table with 5 columns: Item SVI #, OEM #, Req., Description. Lists parts 1 through 23 including Hinge, Machine Screw, Lock Washer, Hex Nut, Machine Screw, Handle Linkage Pivot, LH/RH Rear Cable Assy, LH/RH Front Cable Assy, Nylock Hex Nut, Flat Washer, Power Unit, Return Post Plug, Hex Pipe Nipple, Coupling, Dry Pressure Gauge, 90° Elbow, Hose Assembly, Hose Clamp, Hex Screw, Lock Washer, Hex Nut, Rod Structure Gate, Spring, Flat Washer, Gate Structure RH/LH, Post Structure Gate, Hex Screw, Hex Nut, Handrail Structure RH, HFHSL Screw/Nut, Handrail Structure LH.

Table with 5 columns: Item SVI #, OEM #, Req., Description. Lists parts 24 through 37 including Ladder Handrail Structure, HFHSL Screw, Ladder Assembly, Ladder Structure, Wheel w/Bushing, Ladder Support, HFHSL Screw/Nut, Center Cover, Carriage Bolt, HFHSL Nut, Ramp Assembly, Track Extension Structure RH, HFHSL Screw/Nut to Track, Hex Screw, HFHSL Screw/Nut to Cross Tube, Track Structure RH, HFHSL Screw/Nut to Cross Tubes, Track Extension Structure LH, HFHSL Screw/Nut to Track, Hex Screw, HFHSL Screw to Cross Tube, Stationery Track Assy LH, HFHSL Screw to Cross Tubes, Rear Front Cross Tube Assy, Shim Kit, Wedge Anchor, Post Structure w/Power Unit, Post Structure, Chock.

for Model QLR 2000

Oil Pan Package



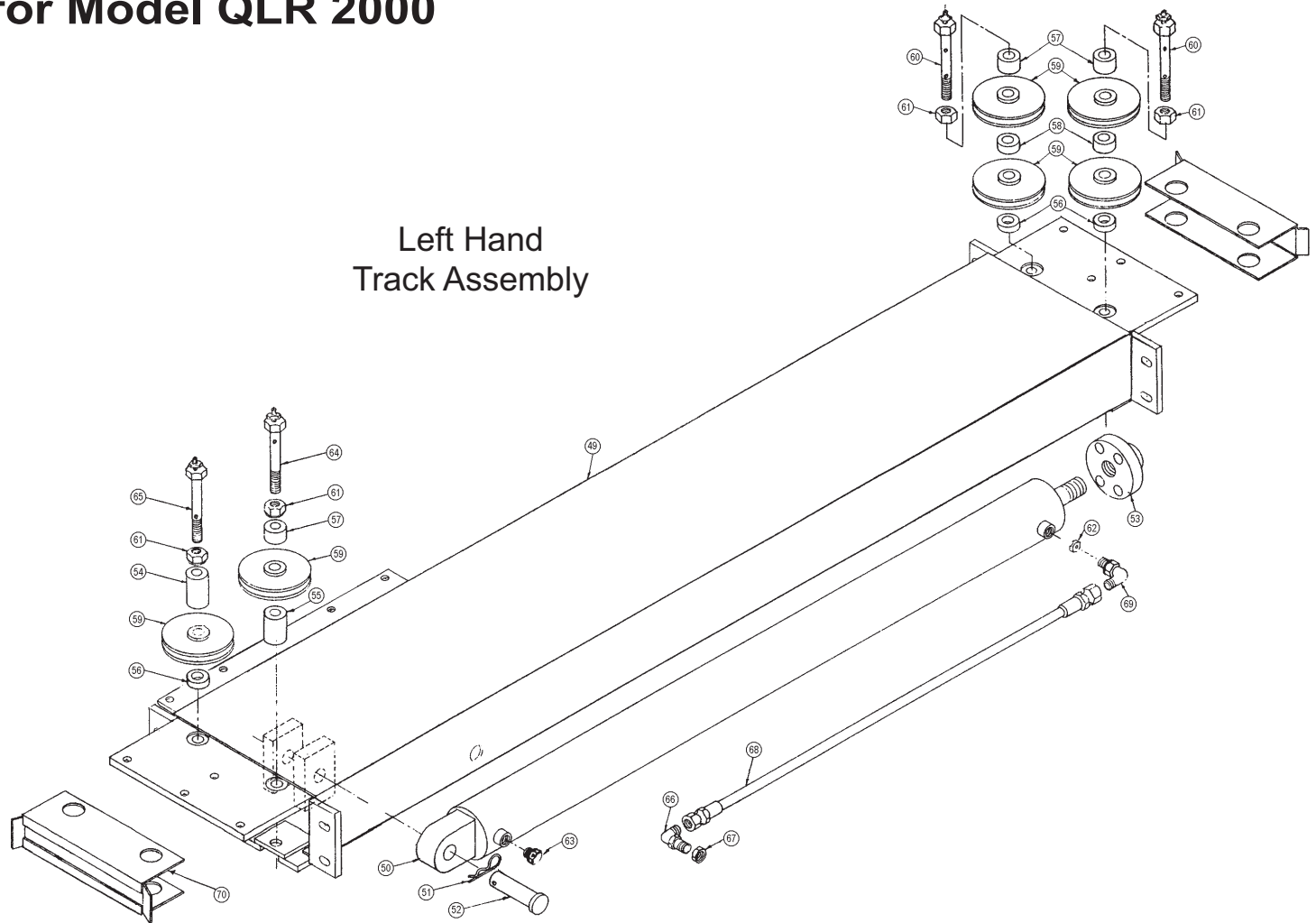
Item SVI #	OEM #	Req.	Description
-	BH-7113-32	82572	1 Oil Pan Assy (#s 38-45)
38	BH-7113-33	82558	1 Oil Pan Structure
39	BH-7113-34	82687	1 Cover Structure
40	BH-7113-35	100052	4 Socket Head Set Screw
41	BH-7113-36	82566	2 Guide Structure
42	BH-7113-15	82571	4 Wheel w/Bushing

Item SVI #	OEM #	Req.	Description
43	BH-7113-37	100152	16 Flat Washer
44	BH-7113-37	100315	4 Hex Screw
45	BH-7113-39	100297	4 Thin Nylock Nut
46	BH-7113-40	100295	1 Hex Nipple
47	BH-7113-41	82565	1 Ball Valve
48	BH-7113-42	82732	1 Splash Pan Structure



for Model QLR 2000

Left Hand
Track Assembly



Item	SVI #	OEM #	Req.	Description
-	BH-7113-05	82425	1	LH Track Assy Consists of:
49	BH-7113-43	82427	1	LH Track Structure
50	BH-7103-1581311CK		1	Seal Kit
51	BH-7112-75	100110	1	Hair Pin Clip
52	BH-7112-77	81312	1	Cylinder Pin
53	BH-7112-78	81313	1	Cylinder Adapter
54	BH-7102-02	81316	1	Spacer RH Front Top
55	BH-7112-79	81315	1	Spacer LH Front Bottom
56	BH-7102-01	81317	3	Spacer Bottom
57	BH-7102-04	81314	3	Spacer Top
58	BH-7102-05	81323	2	Spacer Rear Center
59	BH-7100-32	82675	6	Cable Sheave Assy
	BH-7112-92	82492	1	Sheave
	BH-7112-93	82493	1	Bronze Bushing
60	BH-7112-80	82676	2	Hex Screw Assy
	BH-7113-44	100305	1	Lubrication Fitting

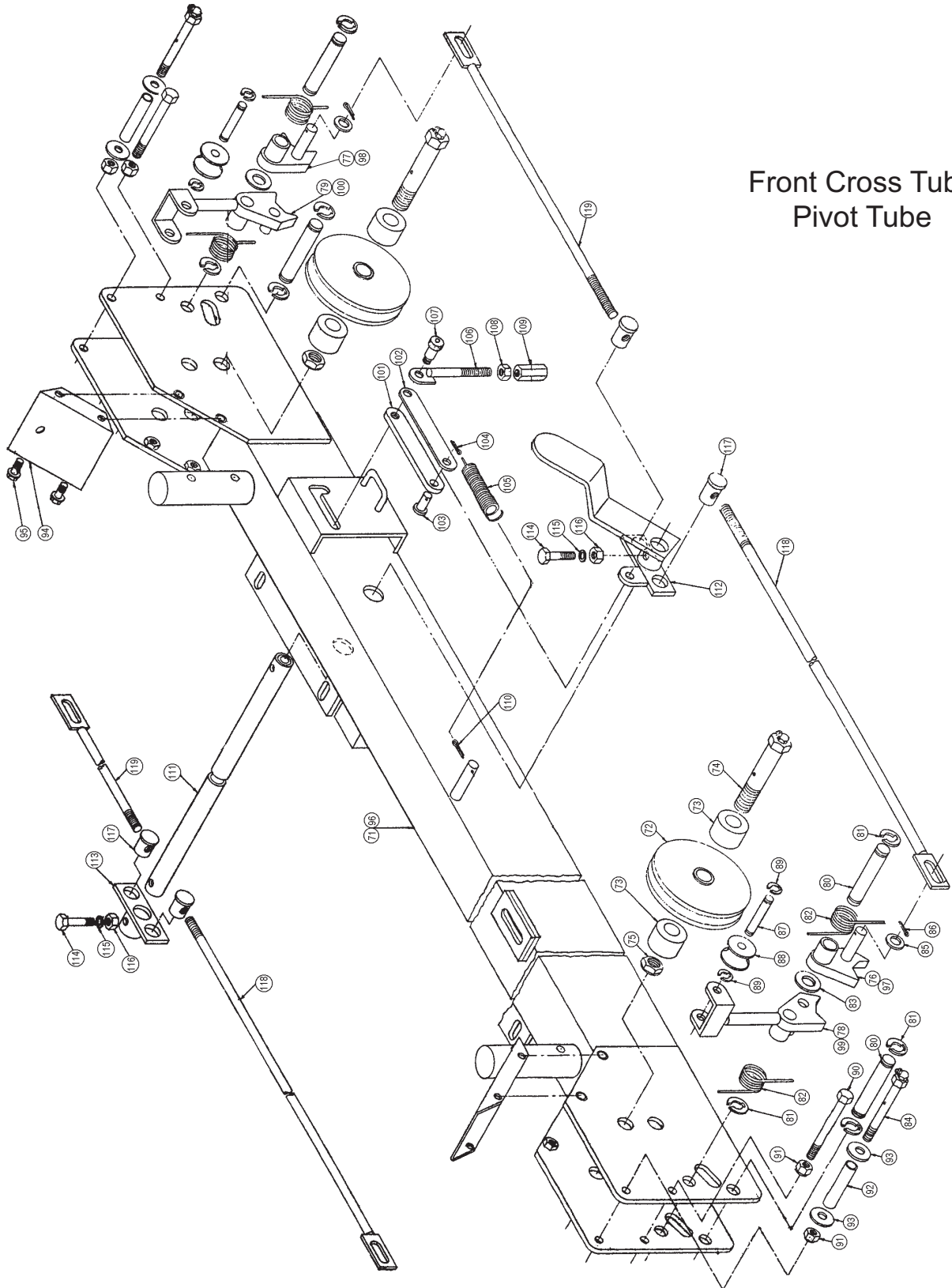
Item	SVI #	OEM #	Req.	Description
61	BH-7102-00	80034	4	Thin Nylock Nut
62	BH-7102-49	81959	1	Orifice
63	BH-7112-83	82130	1	Breather Plug
64	BH-7112-90	82678	1	Hex Screw Assembly
	BH-7113-44	100305	1	Lubrication Fitting
65	BH-7112-89	82680	1	Hex Screw Assembly
	BH-7113-44	100305	1	Lubrication Fitting
66	BH-7112-84	81318	1	90° Bulkhead Adapter Elbow
67	BH-7112-85	60051	1	Bulkhead Nut
68	BH-7112-86	81320	1	Hose Assembly 3/8 ID
69	BH-7112-87	60368	2	90° O-Ring Elbow
70	BH-7112-88	81414	2	Cable Guide Structure
*	BH-7100-30	82455	1	Cable Assy Cyl to LH Rear
*	BH-7100-31	82456	1	Cable Assy Cyl to RH Rear
*	BH-7100-29	82457	1	Cable Assy Cyl to LH Front
*	BH-7100-28	82458	1	Cable Assy Cyl to RH Front
*	BH-7112-66	80427	8	Cable Nylock Hex Nut

* Not Pictured

for Model QLR 2000

See page 74 for parts list.

Front Cross Tube Pivot Tube





for Model QLR 2000

See page 73 for breakdown.

Item SVI #	OEM #	Req.	Description
-	BH-7113-03	82543	1 Front Cross Tube Assy #s 71-95
71	BH-7113-45	82466	1 Front Cross Tube Structure
72	BH-7100-32	82675	2 Cable Sheave Assembly
	BH-7112-92	82492	1 Sheave
	BH-7112-93	82493	1 Bronze Bushing
73	BH-7102-04	81314	4 Spacer
74	BH-7112-95	82682	2 Hex Screw Assy
	BH-7113-46	81471	1 65° Grease Fitting
75	BH-7102-00	80034	2 Thin Nylock Nut
80	BH-7100-89	81073	4 Shaft
81	BH-7100-88	100276	8 Retaining Ring
82	BH-7110-13	81072	4 Torsion Spring
83	BH-7102-30	100155	2 Flat Washer
84	BH-7110-18	81479	2 Hex Screw Assy
	BH-7113-46	81471	1 65° Grease Fitting
85	BH-7110-26	100062	2 Flat Washer
86	F-CP-125-0750	100175	2 Cotter Pin
87	BH-7109-97	81280	2 Slack Chain Shaft
88	BH-7109-96	81279	2 Slack Chain Roller
89	BH-7100-86	80683	4 Retaining Ring
90	F-HC-0375-16-4000	81081	2 Hex Screw
91	F-NL-0375-16	81082	4 Nylock Hex Nut
92	BH-7102-31	81176	2 Tube Spacer
93	BH-7102-11	81206	4 Flat Washer
94	BH-7112-96	81283	2 Idler Cover
95	BH-7112-97	60912	8 Flanged Head Screw
-	BH-7113-04	82544	1 Rear Cross Tube Assy See Front Tube Layout
96	BH-7113-47	82465	1 Rear Cross Tube Structure
72	BH-7100-32	82675	2 Cable Sheave Assembly
	BH-7112-92	82492	1 Sheave
	BH-7112-93	82493	1 Bronze Bushing
73	BH-7102-04	81314	4 Spacer
74	BH-7112-95	82682	2 Hex Screw Assy
	BH-7113-46	81471	1 65° Grease Fitting
75	BH-7102-00	80034	2 Thin Nylock Nut
97*	BH-7110-12	81068	1 LH Latch Catch
98*	BH-7110-11	81069	1 RH Latch Catch
99*	BH-7102-07	81276	1 Latch Structure

Item SVI #	OEM #	Req.	Description
100*	BH-7102-06	81275	1 Latch Structure
80	BH-7100-89	81073	4 Shaft
81	BH-7100-88	100276	8 Retaining Ring
82	BH-7110-13	81072	4 Torsion Spring
83	BH-7102-30	100155	2 Flat Washer
84	BH-7110-18	81479	2 Hex Screw Assy
	BH-7113-46	81471	1 65° Grease Fitting
85	BH-7110-26	100062	2 Flat Washer
86	F-CP-125-0750	100175	2 Cotter Pin
87	BH-7109-97	81280	2 Slack Chain Shaft
88	BH-7109-96	81279	2 Slack Chain Roller
89	BH-7100-86	80683	4 Retaining Ring
90	F-HC-0375-16-4000	81081	2 Hex Screw
91	F-NL-0375-16	81082	4 Nylock Hex Nut
92	BH-7102-31	81176	2 Tube Spacer
93	BH-7102-11	81206	4 Flat Washer
94	BH-7112-96	81283	2 Idler Cover
95	BH-7112-97	60912	8 Flanged Head Screw
	See Front Cross Tube Layout	1	Pivot Tube Linkage
101	BH-7101-20	81102	1 Bar Tapped
102	BH-7101-22	81101	1 Bar
103	BH-7101-19	81103	1 Pin
104	F-CP-125-0750	100175	1 Cotter Pin
105	BH-7110-14	100154	1 Spring
106	BH-7101-23	81251	1 Trip Rod
107	BH-7101-21	81107	1 Shoulder Screw
108	BH-7105-08	100127	1 Nut
109	BH-7105-09	81253	1 Nut
110	F-CP-125-1000	100190	1 Cotter Pin
111	BH-7113-48	82545	1 Tube Structure Pivot
112	BH-7112-99	81138	1 Handle Structure
113	BH-7101-72	81092	1 Pivot Structure
114	BH-7101-55	81483	2 Hex Screw
115	BH-7112-24	100159	2 Lock Washer
116	BH-7112-23	100102	2 Hex Nut
117	BH-7110-20	81095	4 Pivot Pin
118	BH-7110-22	81113	2 Adjusting Rod Long
119	BH-7110-21	81115	2 Adjusting Rod Short

* Not pictured correctly.



Quick Cable / Seal Kit Cross Reference

MODEL	CABLE	SEAL KIT
AF Mech 7 & 9	BH-7100-35	BH-7100-76 Hex Bleeder BH-7100-77 Allen Bleeder
AL 7 New & Old Style	BH-7106-01 Short BH-7106-02 Long	BH-7100-76 Hex Bleeder BH-7100-77 Allen Bleeder
AO Mech 7 & 9	BH-7100-19 AO BH-7100-07 AO BH-7112-57 AO-S BH-7103-28 AO-S	BH-7100-76 Hex Bleeder BH-7100-77 Allen Bleeder
ART 5	BH-7100-10	BH-7100-76 Hex Bleeder BH-7100-77 Allen Bleeder
ART 7	BH-7100-01	BH-7100-76 Hex Bleeder BH-7100-77 Allen Bleeder
ARTO 5	BH-7100-15	BH-7100-76 Hex Bleeder BH-7100-77 Allen Bleeder
ARTO 7	BH-7100-06	BH-7100-76 Hex Bleeder BH-7100-77 Allen Bleeder
FAR 12	(Chain)	BH-7100-73A
LAS 7	BH-7100-11 Short BH-7100-12 Long	BH-7100-37
LAS 9	BH-7100-02 Short BH-7100-03 Long	BH-7115-50
LASO 7	BH-7100-13 Short BH-7100-14 Long	BH-7100-37
LASO 9	BH-7100-04 Short BH-7100-05 Long	BH-7115-50
LMA 12 & LMA 9	(Chain)	BH-7100-73A
LMO 7	BH-7100-15	BH-7100-37
LMO 9	BH-7100-06	BH-7115-50
LMP 7	BH-7100-10 Serial# >41833	BH-7100-37
	BH-7100-18 Serial # <41833	BH-7115-51
LMP 9	BH-7100-01 Serial # >41937 (Chain) Serial # <41937	BH-7100-37 BH-7100-67
LMT 6	(Chain)	BH-7114-22
LMT 12 & LMT 9 (Chain)	Serial # <22316	BH-7100-83A
	Serial # >22316	BH-7100-73A
(Chain)		
LMT 22	(Chain)	BH-7100-65
LTC 9	BH-7100-26 LH Rear BH-7100-27 RH Rear BH-7100-25 LH Front BH-7100-24 RH Front	BH-7103-15
NDF 7 & 9	BH-7100-08	BH-7100-76 Hex Bleeder BH-7100-77 Allen Bleeder
NDL 5500 & 7000	BH-7100-16 Short BH-7100-17 Long	BH-7100-76 Hex Bleeder BH-7100-77 Allen Bleeder
NDO 7 & 9	BH-7100-07	BH-7100-76 Hex Bleeder BH-7100-77 Allen Bleeder
QLR 2000	BH-7100-30 LH Rear BH-7100-31 RH Rear BH-7100-29 LH Front BH-7100-28 RH Front	BH-7103-15
SST 12 & 9	(Chain)	BH-7100-73A



Repair Parts for Ammco / Ben Pearson

entire contents copyright © 2011 SVI International, Inc.

TOLL FREE:
800-321-8173

CHICAGO

BALTIMORE



LOS ANGELES

THREE ***“READY SHIP”*** WAREHOUSE LOCATIONS

**TERMS AND CONDITIONS OF THE
SALES ORDER
FOR SVI INTERNATIONAL, INC.**

1. **GENERAL.** The terms and conditions of sales order outlined herein shall apply to the sale by SVI INTERNATIONAL, INC. (hereinafter referred to as "Company") of the items described on the facing page (hereinafter referred to as "Merchandise") to Purchaser.
2. **DELIVERY.** Delivery shall be deemed to be complete when the Merchandise has been shipped F.O.B. Company's plants in DeKalb, Illinois, Duarte, California; and Baltimore, Maryland ("Company's plants"). Shipments are subject to delays from causes or contingencies beyond the reasonable control of the Company. When otherwise not specified, shipments will be made in standard containers via carrier which, in the judgment of the Company, will result in the most practical method. Title and right of possession will pass to the Purchaser upon receipt by the carrier at the shipping point. If a customer of the Company should specify a specific carrier's method of shipment (i.e. UPS Next Day Air) and that carrier does not perform to the customer's expectations, freight credit to a customer's account will not be issued unless the Company can first obtain a credit.
3. **RISK OF LOSS.** Identification of the Merchandise under Uniform Commercial Code (hereinafter referred to as "UCC") Section 2-501 shall take place at the moment of shipment F.O.B. Company's plants. Risk of loss shall pass to the Purchaser when the Merchandise is shipped from the Company's plants.
4. **TITLE.** Title to the merchandise shall transfer to the Purchaser when the Merchandise is shipped from the Company's plants.
5. **WARRANTIES.** The Company guarantees its products to be free from defects in workmanship and raw materials for a period of one year from date of purchase. THIS WARRANTY IS EXPRESSLY IN LIEU OF ANY AND ALL WARRANTIES EXPRESS OR IMPLIED. COMPANY DOES NOT WARRANT THE MERCHANDISE IS MERCHANTABLE OR FIT FOR ANY PARTICULAR PURPOSE. Company's liability for breach of the terms of this Agreement, including any warranty, is limited to either refund of the invoice price of the Merchandise or at Company's option, replacement of the Merchandise free of charge, including transportation charges but not including the cost of labor. Purchaser has not relied on any statement or upon the conduct of Company with respect to the prospective use of the merchandise. Company shall not be liable for and Purchaser waives any and all claims for any loss or damage, directly or indirectly, arising from the use of the Merchandise and for punitive, incidental or consequential damages, including, but not limited to, damages to property, for loss of use, loss of time, loss of profit or loss of income. The Company does not authorize the sale of our products under any other warranty, expressed or implied.
6. **SETOFF.** All claims for money due or to become due from the Company shall be subject to deduction by the Company for any setoff or counterclaim arising out of this or any other claims of the Company or its affiliated companies, whether such setoff or counterclaim arose before or after any assignment by Purchaser.
7. **INDEMNIFICATION.** Purchaser agrees to indemnify the Company and hold it harmless from and against all claims, liability, loss, damage or expense, including reasonable counsel fees, arising from or by reason of any modifications or alterations made by Purchaser. If a customer of the Company modifies or alters any part, in any manner whatsoever, or uses any part in departure from recommended performance specifications, said customer agrees to indemnify and hold the Company harmless from and against all liability and expenses based on damage to property or injury to or death of any person arising out of or attributable to such modified or altered part. Further, the Company will not accept any such modified or altered part for credit to a customer's account.
8. **FREIGHT POLICY.** Freight charges on individual orders less than \$3,000 in net value are prepaid and added to invoice or collect F.O.B. shipping point. Freight charges (standard ground service and continental US only) on individual orders more than \$3,000 net value are paid by the Company F.O.B. shipping point. Note: customers with C.O.D. terms are responsible for all carrier C.O.D. fees regardless of order net value.
9. **RETURN POLICY.** To return parts for credit or inspection Purchaser must first contact the Company to obtain a Return Goods Authorization number (RGA#). Once Purchaser has obtained an RGA# the parts can be returned freight prepaid only. The RGA# must be on the outside of the container in a highly visible location. All parts must be returned freight prepaid and the shipment must include a letter of explanation giving the specific reason for return including details as to the conditions under which the part or parts operated. Note: parts returned without an RGA#, freight collect or without written explanation may be refused. Parts which have been used in any way or manner, including any installation or incorporation into a lift or hoist, shall NOT be eligible for return whether or not an RGA has been assigned.
10. **RESTOCK CHARGE.** Returns are subject to up to twenty-five (25%) restocking charge. Refusals are subject to the same restocking charge plus the cost of outbound and return freight charges and/or fees incurred by the Company due to shipment refusal.
11. **PRICES AND PAYMENTS.** All prices are subject to change without notice. All prices are F.O.B. shipping point. The Company standard terms are net 30 days, C.O.D. company check, C.O.D. cash, VISA, MasterCard, Discover or American Express. However, if in the judgment of the Company, the financial condition of the Purchaser at any time does not justify shipment according to standard terms of payment, the Company may require full or partial payment in advance.
12. **INTERPRETATION.** This sales order is intended by the parties as a complete and exclusive statement of the terms of their agreement. It supersedes all prior agreements, written or oral. No course of prior dealings between the parties and no usage of the trade shall be relevant to supplement or explain any terms used in this sales order. Acceptance or acquiescence in a course of performance rendered under this purchase order shall not be relevant to determine the meaning of this sales order even though the accepting or acquiescing party has knowledge of the nature of the performance and opportunity for objection. Whenever a term defined by the UCC is used in this sales order the definition contained in the UCC shall control.
13. **MODIFICATION.** This sales order can be modified or rescinded only by a writing signed by both parties.
14. **WAIVER.** No claim or right arising out of a breach of this sales order can be discharged in whole or in part by a waiver or renunciation of the claim or right unless such waiver or renunciation is supported by consideration and is in writing signed by the aggrieved party.
15. **ASSIGNMENT.** No right or interest in this sales order shall be assigned by either party without the written consent of the other and no delegation of any obligation owed, or of the performance of any obligation by either the Company or Purchaser shall be made without the written consent of the other party. Any attempted assignment or delegation not made in conformity with this paragraph shall be wholly void and totally ineffective for all purposes.
16. **TIME TO PERFORM AND BRING ACTION.** Time is of the essence of this sales order. Any action for breach of this sales order shall be commenced within two (2) years after the cause of action has accrued. Any party who loses any litigation shall reimburse the other party for costs including reasonable attorneys fees. The exclusive jurisdiction for any legal action shall be the Circuit Court of DeKalb County, Illinois.
17. **APPLICABLE LAW.** This sales order shall be governed by the UCC of Illinois as effective and in force on the date of this sales order.

Offering the Best in Automotive Lift Repair Parts and More!

Auto Lift Cables • Auto Lift Parts • Brake Lathe Repair Parts

Compressed Air Repair Parts • Exhaust System Products • Fluid Delivery Repair Parts

Lubrication Equipment Repair Parts • Repair Parts for Gasboy Consumer Series

Service Station Pump and Tank Products • SVI Misc Auto Lift Products and Catalogs

Tire Changer Repair Parts • Vehicle Lifting Systems • Wheel Balancer Accessories

Serving the Industry Since 1977 • Same-Day Shipping



SVI International, Inc.

(800) 321-8173 • fax: (800) 899-1784

155 Harvestore Drive • DeKalb, IL 60115

www.sviinternational.com

BALTIMORE • CHICAGO • LOS ANGELES

While the utmost care has been used in compiling this reference material, we assume no responsibility for errors. Specifications are subject to change without notice. This edition supersedes all previous editions or issues. SVI reference material is subject to change without notice. All rights reserved.