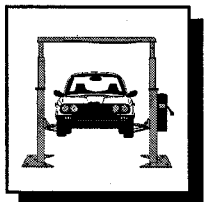




# Lift Repair Catalog



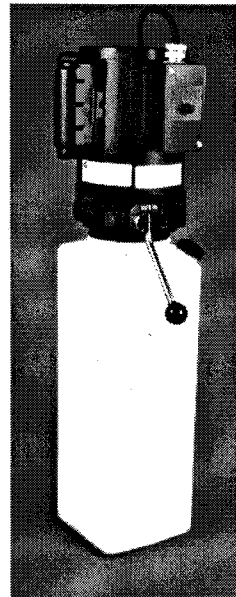
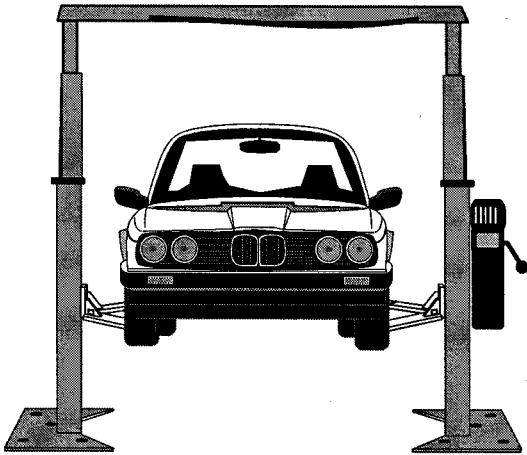
LRC7000E

S V I International, Inc. - Lift Repair Parts

May 2001

## Surface-Mount Lift Power Units and Parts

*The Most Complete Source for Power Units and Parts*



### Now Includes:

- *Power Unit Parts for new Branes units.*
- *Power Unit Parts for units found on Hunter Lifts.*
- *New Power Unit Parts for units used on Rotary Lifts*
- *Relocation Bracket*

### Contents:

Replacement Power Units	page 2
Miscellaneous Items	page 3
Barnes Power Units	page 4, 5
Fenner Fluid Power Units	pages 6-11
M.T.E. Power Unit	page 12
Monarch Power Unit	page 13
SPX Power Team	page 14, 15
Webster Power Unit	page 16

Entire Contents Copyright © S V I International, Inc. 2001

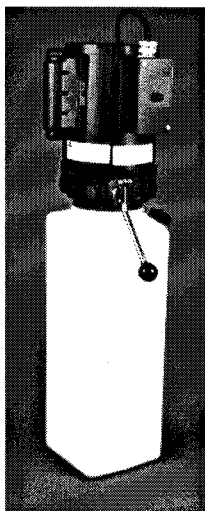
**To Order Call: 800 321-8173 or 630-365-9250 / Fax: 800-899-1784 or 630-365-2809**

All names, numbers, symbols and descriptions are used for reference purposes only. It is not implied that any part listed is the product of these manufacturers; however, some parts may be the actual product of these manufacturers.

# Power units *The choice is yours . . .*

Two great power units, two different styles and two very different values

## Fenner Fluid Power



**BH-7006-01**  
**1PH**

**BH-7006-01LS**  
**1PH w/OH Limit**

**BH-7006-03**  
**3PH**

Widely seen on many lifts, this power unit has all the standard features. This unit can also be purchased pre-wired for an overhead limit. **Note:** unit is actually supplied with a black poly reservoir.

### Specifications:

**Motor - BH-7006-01 & BH-7006-01LS**  
208-230 Volts AC, 3450 RPM, 1PH, 60Hz, 19 Amps, 2.0 HP.

**Motor - BH-7006-03** - 208-230/460 Volts AC, 3450 RPM, 3PH, 60Hz, 5.6-6.0/3.0 Amps, 2.0 HP.

**Draw** - 19.0 Amps @ 2450 PSI.

**Pump** - 1.7 GPM @ 2450 PSI.

**Relief** - Fixed at 2750 PSI Nominal.

**Endhead** - Cast Iron with 3/8" NPT Aux. Port (plugged) and 9/16 SAE Pressure-Return Port.

**Tank** - Plastic 4.0 Gallon Vertical.

**Valving** - Cartridge style Check and Release.

**DB Rating** - 65 to 70

**Warranty** - 1 Year Parts

## Haldex/Barnes



**BH-7009-65**

Barnes power units are a real mainstay in the lift industry. Produced using only American Made motors, you will find a Barnes unit in just about every shop you enter. They are still supplied with rugged, steel tanks and will work under low voltage conditions without a velocity fuse. Ships pre-wired for overhead limit.

### Specifications:

**Motor** - 208-230 Volts AC, 3450 RPM, 1PH, 60Hz, 2.8 HP.

**Draw** - 20.0 Amps @ 2400 PSI.

**Pump** - 2.0 GPM @ 2400 PSI.

**Relief** - Fixed at 2800 PSI Nominal.

**Manifold** - High Density Die Cast Aluminum with 9/16"-18 SAE Aux. Port and 9/16"-18 SAE Pressure-Return Port.

**Tank** - Steel 3.7 Gallon Vertical.

**Valving** - Cartridge style Check and Release.

**DB Rating** - 52 to 55

**Warranty** - 2 Year Parts

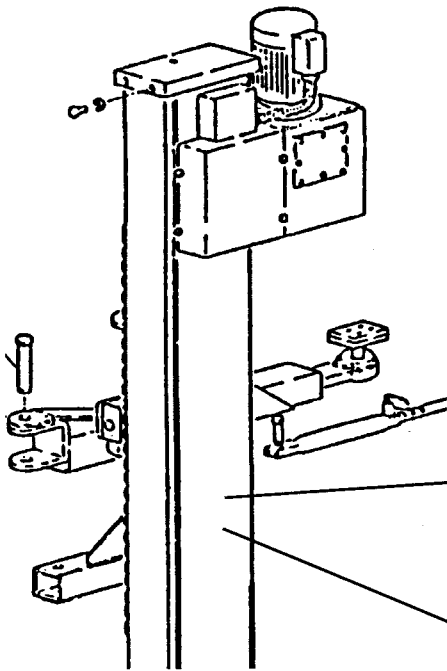
Each unit can easily be adapted to lifts with a different make power unit by using the included SVI *Easy Adaption Kit*. SVI power units are shipped with a 36" hydraulic hose, 90° elbow, swivel branch tee, 8" hydraulic hose and a 28" tie band.





## Surface-Mount Lift Power Units

### Miscellaneous Items

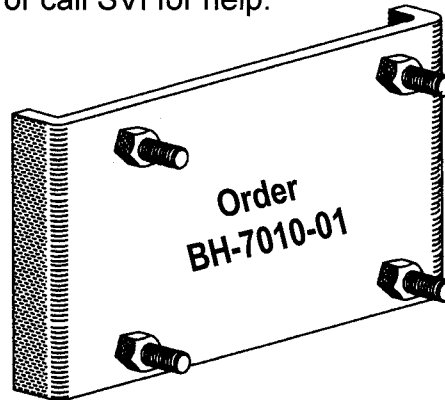


#### Power Unit Relocation Bracket

Use to replace old top of column mount power unit with new style Power Unit.

For 56 Frame Power Units such as SVI unit BH-7006-01.

May require hose or tubing extensions. Consult local hydraulic house or call SVI for help.



Supplied unfinished for ease of welding. You will need to grind paint or powder coat finish off column to install. Once welded refinish area with a close matching paint.

## Metholardate Lift Oil Additive

Metholardate eliminates chatter in lifts by adding lubricity to the hydraulic oil. Metholardate is recommended for all automotive lifts. It is very effective when the lift seals or cylinders are new. New seals tend to provide more sealing surface which can cause the lift to stick or chatter on its way down. Metholardate cures this.

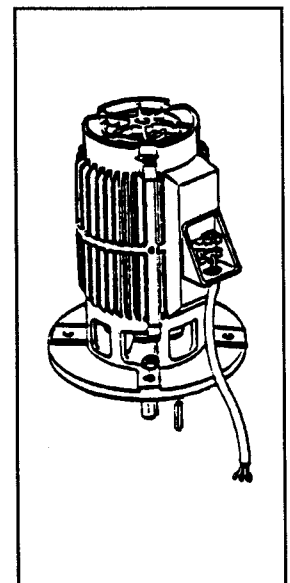
BH-9960-01	1 Gallon Can Metholardate w/instructions
BH-9960-05	5 Gallon Pail Metholardate w/instructions
BH-9960-25	1 Quart Can Metholardate w/instructions

## Replacement Electric Motor for Benwil

This unit is a low cost alternative for TP-7 and TPO-7 Japanese made Benwil lifts with top of column mount power units.

The BH-7200-76 replacement motor kit comes complete with:

- 220V 1Ph Motor
- Coupling Assembly
- Spider
- Mounting Plate
- Connector
- Hardware



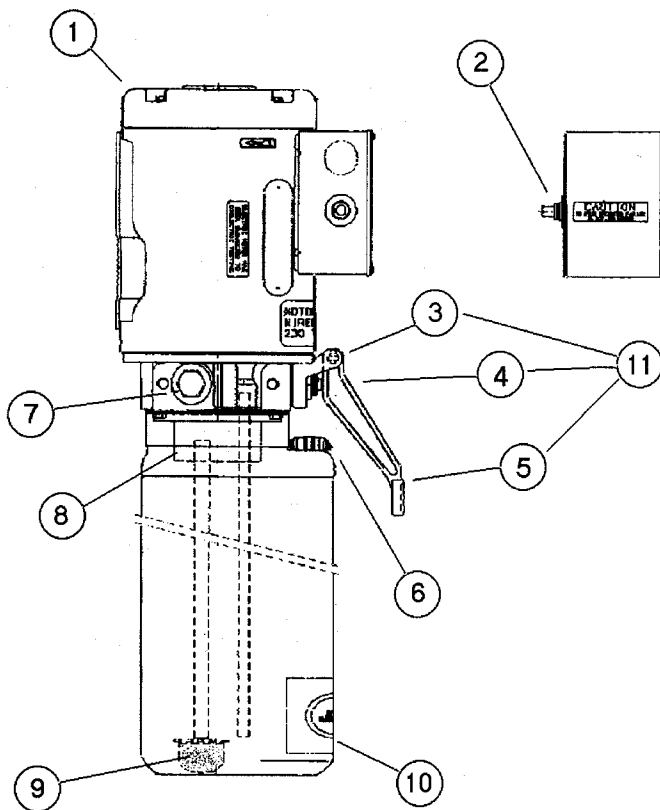
To Order Call: 800 321-8173 or 630-365-9250 / Fax: 800-899-1784 or 630-365-2809

# Surface-Mount Lift Power Units

## Parts for Barnes Power Units

**BH-7009-65**

**2HP, 1PH, 3450 RPM**



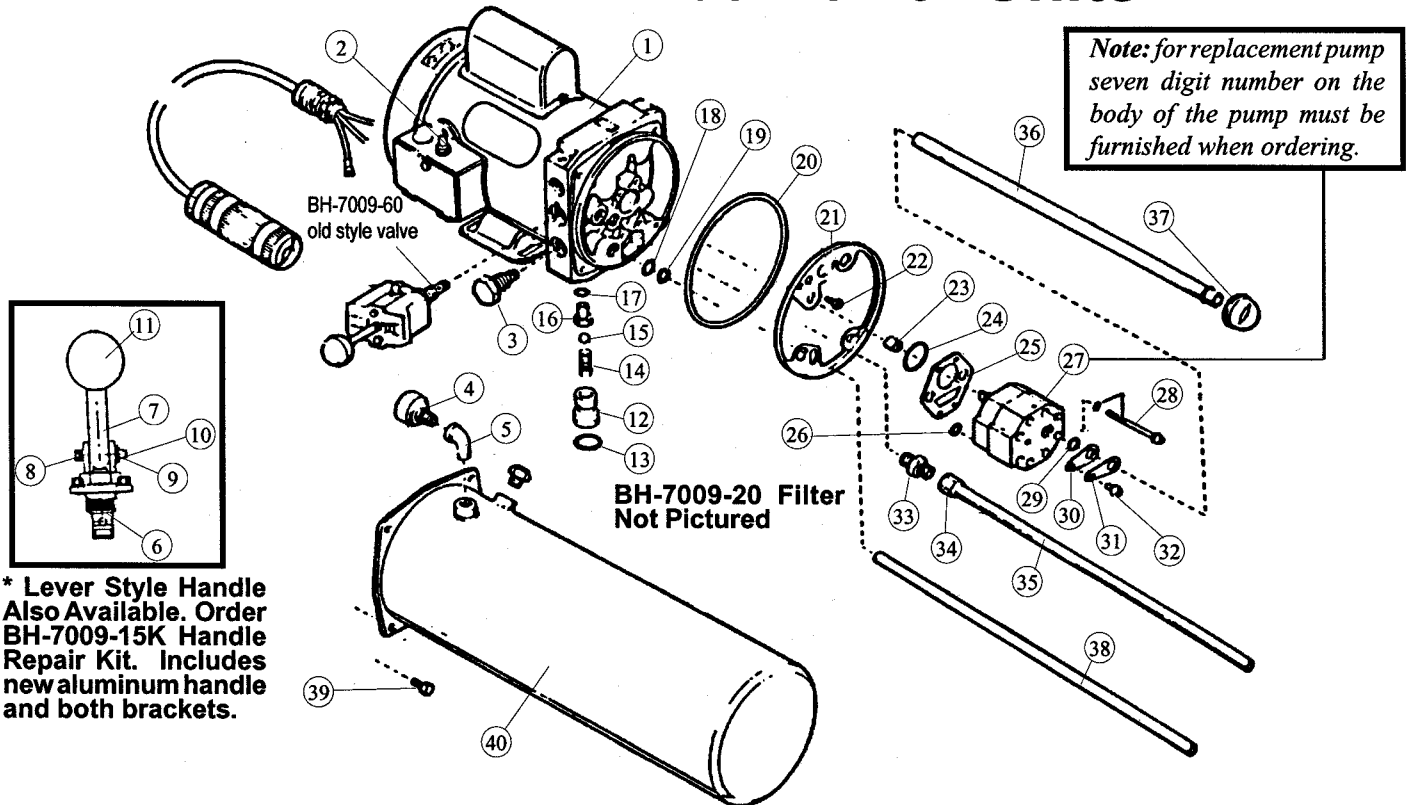
Item No.	S V I Part No.	Description	O.E.M. Part #	Qty. Req
1	BH-7009-67	Motor	2190508	1
2		Order 1 ea. BH-7004-12 and BH-7002-12		1 1
3	BH-7009-76	Handle Bracket	2240125	1
4	BH-7009-74	Lowering Valve	2180810	1
5	BH-7009-75	Handle	2180907	1
6	BH-7009-77	Filler Breather Cap	2500037	1
7	BH-7009-69	Check Valve Kit	2210866	1
7	BH-7009-70	Relief Valve Kit	2180003	1
8	BH-7009-66	Pump Assembly	1300171	1
9	BH-7009-73	Suction Strainer	2430011	1
10	BH-7009-72	Reservoir Kit	2281116	1
11	BH-7009-71	Lowering Valve Kit	2180814	1

See page one of this booklet for complete details on this power unit.



## Surface-Mount Lift Power Units

# Parts for Barnes Power Units



\* Lever Style Handle Also Available. Order BH-7009-15K Handle Repair Kit. Includes new aluminum handle and both brackets.

Item No.	S V I Part No.	Description	O.E.M. Part #	Qty Req
1	BH-7009-01	2hp. Single Phase Motor	2190350	1
2	BH-7004-19	Push Button Switch	2381089	1
2	BH-7002-12	Push Button Boot	2380268	1
3	BH-7009-05	Check Valve	2180060	1
4	BH-7009-06	Breather	2500006	1
5	BH-7009-07	45° Elbow	2270022	1
6	BH-7009-08	Spacer	2590053	1
7	BH-7009-09	Release Valve Assy New Style	2180062	1
8	BH-7009-10	Left Bracket	2440098	1
9	BH-7009-11	Right Bracket	2440099	1
10	BH-7009-14	Nut Stop F-NL-0010-32	2140061	1
*	BH-7009-15	Handle	2530027	1
11	BH-7009-17	Plastic Knob	2530008	1
	BH-7009-20	Filter	2430032	1
12	BH-7009-21	Hex Cap	2400024	1
13	BH-7009-22	Gasket	2250061	1
14	BH-7009-24	Spring	2110001	1
14	BH-7009-25	Spring	2110112	1
15	BH-7009-26	Ball	2100005	1
16	BH-7009-27	Valve Seat	2470020	1
17	BH-7009-28	O-Ring	2120076	1
12-17	BH-7009-29	Relief Valve Kit	2300195	1
18	BH-7009-30	O-Ring	2120038	6

Item No.	S V I Part No.	Description	O.E.M. Part #	Qty Req
19	BH-7009-31	Retainer	2240023	6
20	BH-7009-32	O-Ring	2120058	1
21	BH-7009-33	Retainer	2240039	1
22	BH-7009-34	Screw	2130117	4
23	BH-7009-35	Coupling	2390005	1
24	BH-7009-36	O-Ring	2120026	1
25	BH-7009-37	Gasket	2260068	1
26	BH-7009-38	Gasket Kit	2260026	4
27	BH-7009-39	Pump Assembly see note		1
28	BH-7009-40	Bolt	2130073	4
29	BH-7009-41	O-Ring	2120040	1
30	BH-7009-42	Retainer	2340076	1
31	BH-7009-43	Locking Spring	2340076	1
32	BH-7009-44	Screw	2130121	1
33	BH-7009-46	Connector	2270116	1
34	BH-7009-47A	Nut-Tube Sleeve	2270089	1
34	BH-7009-47B	Sleeve	2270093	1
35	BH-7009-48	Tube	2310037	1
36	BH-7009-49	Pick Up Tube	2310188	1
37	BH-7009-50	Strainer	2430011	1
38	BH-7009-51	Tube	2310187	1
39	BH-7009-54	Screw	2130122	4
40	BH-7009-55	Reservoir	22;80762	1

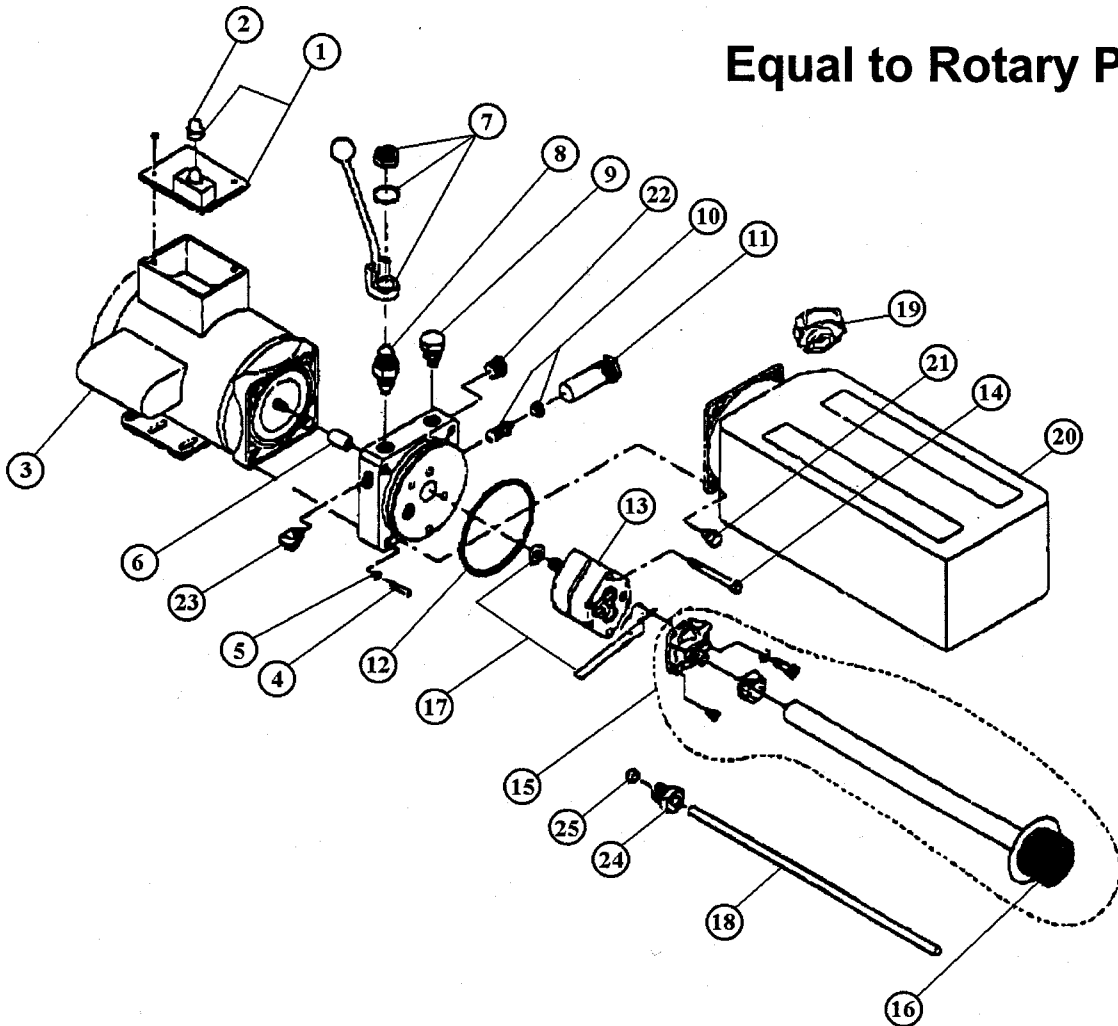
To Order Call: 800 321-8173 or 630-365-9250 / Fax: 800-899-1784 or 630-365-2809

All names, numbers, symbols and descriptions are used for reference purposes only. It is not implied that any part listed is the product of these manufacturers; however, some parts may be the actual product of these manufacturers.

# Surface-Mount Lift Power Units

## Parts For Fenner Fluid Power Units

Equal to Rotary P709



Item No.	S V I Part No.	Description	O.E.M. Part #	Qty Req
1	BH-7007-35	Microswitch Wiring Assy.	W-29	1
2	BH-7007-36	Microswitch Boot	4041-AA	1
3	BH-7006-12	Motor 208/230v (BH-7006)	2235-AC	1
4	BH-7007-37	M6 x 1.0 - 35mm SHCS	Hardware	4
5	BH-7007-38	Hi Collar Lockwasher	Hardware	4
6	BH-7004-18	Coupling 1-1/4"	1118-AA	1
7	BH-7006-15	Manual Release Assy.	K-100	1
8	BH-7006-16	Manual Release Valve	VF-9021	1
9	BH-7006-17	Check Valve Cartridge	2507-AA	1
10	BH-7006-18	Fixed Relief Valve	RV-16	1
11	BH-7007-39	Relief Valve Cap	3729-AA	1
12	OB-70-348	Reservoir O-Ring	G1-1073-48	1
13	BH-7006-21	Pump Assembly (KP25)	PS-2.5	1

Item No.	S V I Part No.	Description	O.E.M. Part #	Qty. Req
14	BH-7006-22	Mounting Bolt	1112-AA	2
15	BH-7007-40	Inlet Plumbing Kit	K-168	1
16	BH-7007-41	Inlet Hose/Filter Assy	3611-AA	1
17	BH-7006-25	Pump O-Ring Kit	K-40	1
18	BH-7007-42	Return Tube	T2-1006-83	2
19	BH-7004-30	Breather, Pop-on	8060-CC	1
20	BH-7006-40	Reservoir 3.5 Gal Plastic	3899-AC	1
20	BH-7006-40K	Reservoir Kit 3.5 Gal		1
21	BH-7007-44	Reservoir Screw	3346-AA	4
22	BH-7007-45	9/16" SAE Plug	1170-AA	1
23	BH-7007-46	Plumbing Elbow	2890-AA	1
24	BH-7007-47	Return Tube Fitting	816-217	1
25	BH-7007-48	Return Tube Sleeve	816-218	1

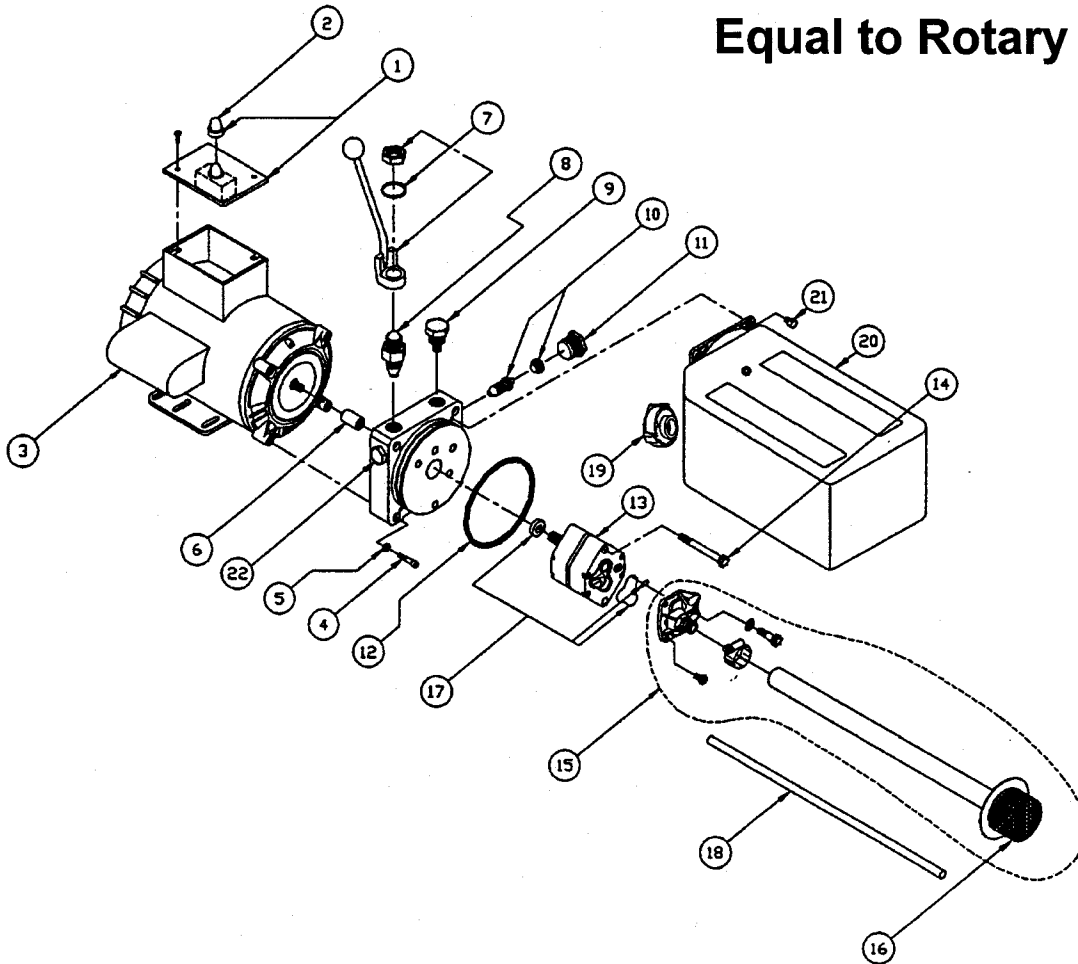
To Order Call: 800 321-8173 or 630-365-9250 / Fax: 800-899-1784 or 630-365-2809



# Surface-Mount Lift Power Units

## Parts For Fenner Fluid Power Units

Equal to Rotary P702



Item No.	S V I Part No.	Description	O.E.M. Part #	Qty Req
1	BH-7007-35	Microswitch Wiring Assy.	W-29	1
2	BH-7002-12	Microswitch Boot	1277-AA	1
3	BH-7006-12	Motor 208/230v 1pH	2235-BC	1
4		M6 X 1.0 35mm SCHS		4
5		Hi-Collar Lockwasher		4
6	BH-7004-18	Coupling	1118-AA	1
7	BH-7006-15	Manual Release Assy.	K-100	1
8	BH-7006-16	Manual Release Valve	VF-9021	1
9	BH-7006-17	Valve Cartridge Check	2507-AA	1
10	BH-7006-42	Fixed Relief Valve	RV-17	1
11	BH-7006-19	Relief Valve Cap	1600-BA	1
12	OB-70-348	Reservoir O-Ring	G1-1073-48	1
13	BH-7006-21	Pump Assembly (BH-7006)	PS-2.5	1

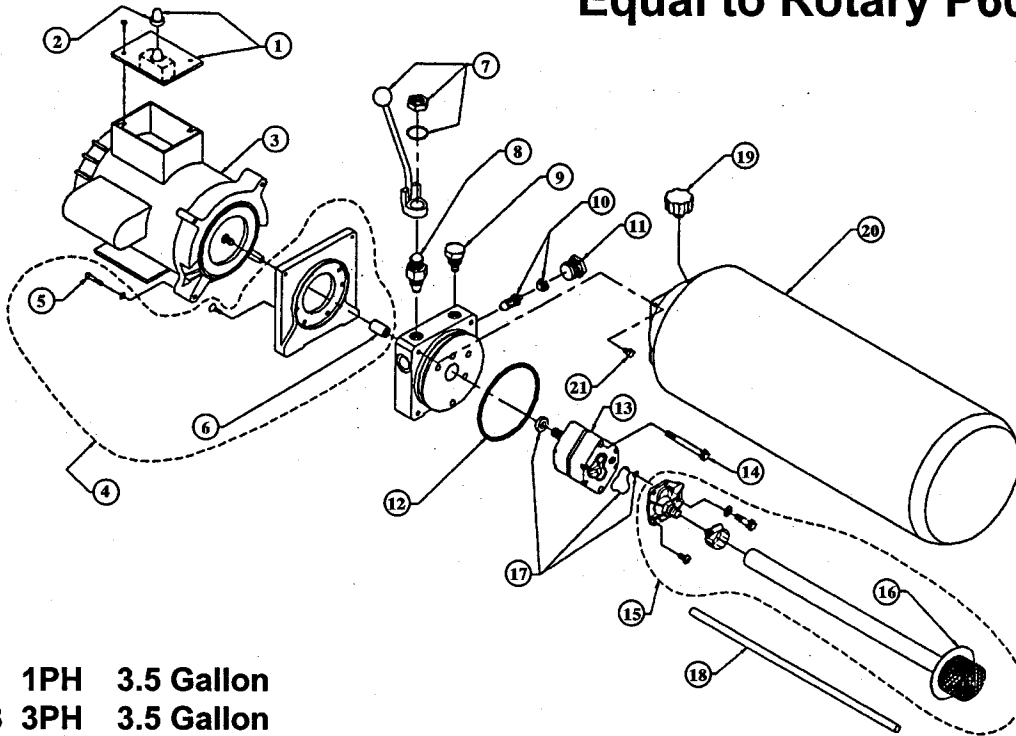
Item No.	S V I Part No.	Description	O.E.M. Part #	Qty. Req
14	BH-7006-22	Mounting Bolt (BH-7006)	1112-AA	2
15	BH-7006-23	Inlet Plumbing Kit (BH-7006)	K-102	1
16	BH-7006-44	Inlet Hose Assy.	3503-AA	1
17	BH-7006-25	Pump O-Ring Kit	K-40	1
18	BH-7006-45	Return Tube	T2-1006-17	2
19	BH-7006-27	Breather, Threaded	1683-AB	1
20	BH-7006-40	Reservoir 3.5 Gal Square	3899-AC	1
20	BH-7006-40K	Reservoir Kit		1
21	BH-7006-29	Reservoir Screw	F2-1170-31	4
22		9/16" SAE Plug	1170-AA	1

To Order Call: 800 321-8173 or 630-365-9250 / Fax: 800-899-1784 or 630-365-2809

All names, numbers, symbols and descriptions are used for reference purposes only. It is not implied that any part listed is the product of these manufacturers; however, some parts may be the actual product of these manufacturers.

# Surface-Mount Lift Power Units Parts For Fenner Fluid Power Units

**Equal to Rotary P602 (3.5 gal.)**  
**Equal to Rotary P601 (1.0 gal.)**



**BH-7006-01 1PH 3.5 Gallon**  
**BH-7006-03 3PH 3.5 Gallon**  
**BH-7006-05 1PH 6.5 Gallon**

Item No.	S V I Part No.	Description	O.E.M. Part #	Qty Req
1	BH-7006-10	Microswitch Wiring Assy (Old)	W-21	1
1	BH-7006-30	Microswitch Wiring Assy (New)	W-200	1
2	BH-7002-12	Microswitch Boot	1277-AA	1
3	BH-7006-12	Motor 208/230v (BH-7006)	2235-AC	1
3	BH-7007-10	Motor 208/230v (BH-7007)	2479-AC	1
4	BH-7006-13	Motor Adapter Kit	K-18	1
5	F-SC-0250-20-1625	1/4-20 x 1-5/8 SHCS		4
6	BH-7006-14	Coupling 1-3/4"	2181-BA	1
7	BH-7006-15	Manual Release Assy.	K-100	1
8	BH-7006-16	Manual Release Valve	VF-9021	1
9	BH-7006-17	Valve Cartridge Check	2507-AA	1
10	BH-7006-18	Fixed Relief Valve	RV-16	1
11	BH-7006-19	Relief Valve Cap	1600-BA	1
12	OB-70-348	Reservoir O-Ring	G1-1073-48	1
13	BH-7006-21	Pump Assembly (BH-7006)	PS-2.5	1

Item No.	S V I Part No.	Description	O.E.M. Part #	Qty. Req
13	BH-7007-11	Pump Assy. (BH-7007)	PS-0.8	1
14	BH-7006-22	Mounting Bolt (BH-7006)	1112-AA	2
14	BH-7007-12	Mounting Bolt (BH-7007)	1111-AA	2
15	BH-7006-23	Inlet Plumbing Kit (BH-7006)	K-102	1
16	BH-7006-24	Inlet Hose Assy. (BH-7006)	2569-AA	1
16	BH-7007-14	Inlet Hose Assy. (BH-7007)	2634-AA	1
17	BH-7006-25	Pump O-Ring Kit	K-40	1
18	BH-7006-26	Return Tube (BH-7006)	T2-1006-27	2
18	BH-7007-16	Return Tube (BH-7007)	T2-1006-12	2
19	BH-7006-27	Breather	1683-AB	1
20	BH-7006-28R	Reservoir 3.5 Gal Steel	KR-44	1
20	BH-7006-28P	Reservoir 3.5 Gal Plastic	KR-54	1
20	BH-7006-28PC	Reservoir Kit 3.5 Gal		1
20	BH-7007-15	Reservoir 1.0 Gal Round	R1-6000-15	1
20	BH-7008-01	Reservoir 6.5 Gal Round	R1-6000-11	1
20	BH-7008-01C	Reservoir Kit 6.5 Gal		1
21	BH-7006-29	Reservoir Screw	F2-1170-31	4

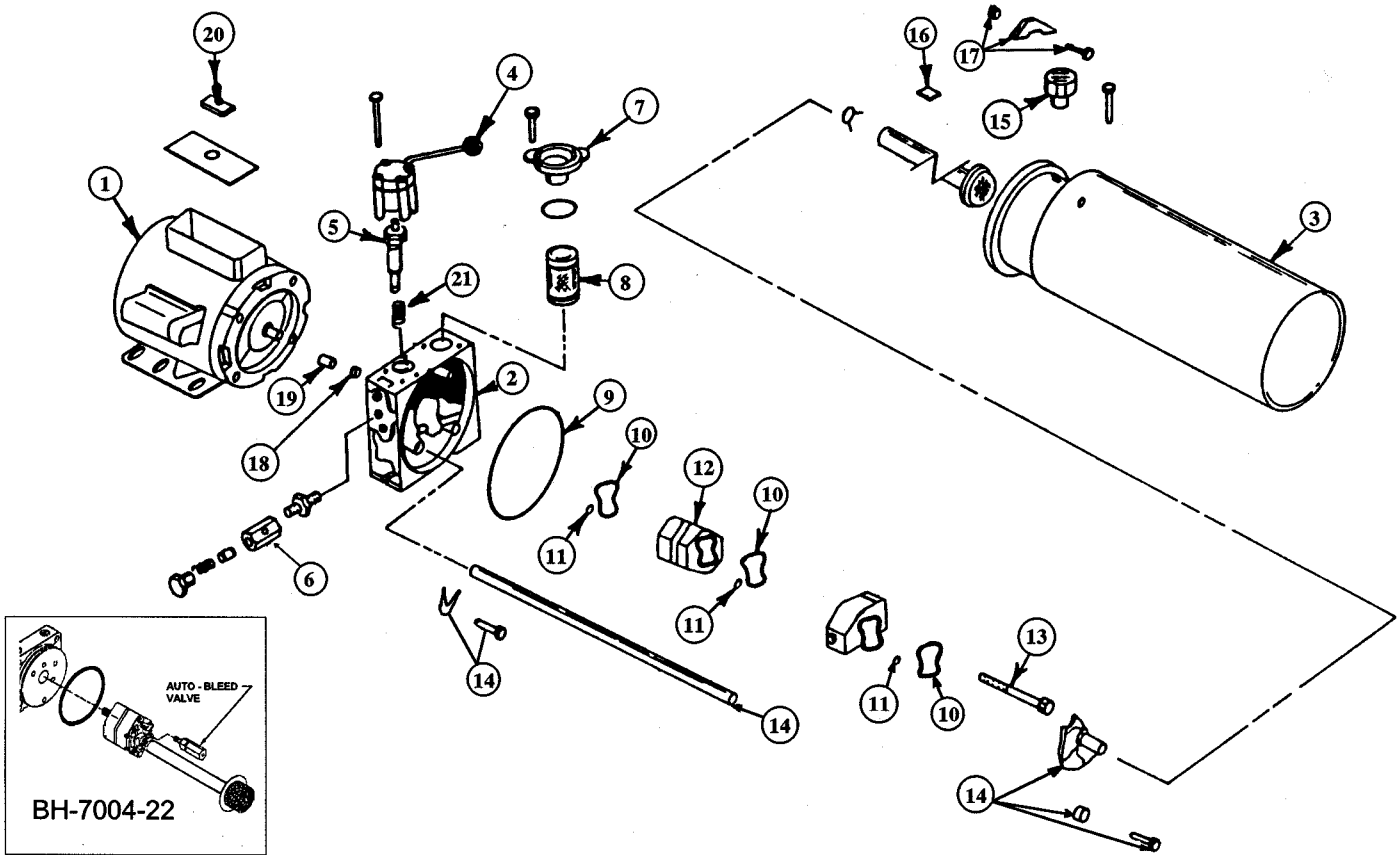
**To Order Call: 800 321-8173 or 630-365-9250 / Fax: 800-899-1784 or 630-365-2809**



# Surface-Mount Lift Power Units

## Parts for Fenner Fluid Power Units

For use on Rotary P502 Power Units.  
Some parts also for use on Rotary P500 Units.



Item No.	SVI Part No.	Description	O.E.M. Part #	Qty. Req.
1	BH-7004-01	2 Horsepower Motor	MA-11	1
2	BH-7004-02	Pump Manifold	OBSOLETE	1
3	BH-7004-03	3 Gallon Vertical Reservoir	OBSOLETE	1
3	BH-7004-04	4 Gallon Vertical Reservoir	OBSOLETE	opt.
4	BH-7004-05	Lower Handle/Cover Kit	A-01	1
4	BH-7004-05B	Plastic Body Only	1144-CC	1
4	BH-7004-05C	Plastic Cap Only	1145-CC	1
5	BH-7004-06	Lowering Valve Assy.	V-12	1
5	BH-7004-06K	Valve Stem Repair Kit	KV-12	opt.
6	BH-7004-07	Relief Valve w/spring	RV-12	1
7	BH-7004-08	Breather Cap 3/8 thread	1142-BB	1
8	BH-7004-09	Filter Element	1160-BB	1
9	BH-7004-10	Reservoir Gasket	1140-BA	1

Item No.	SVI Part No.	Description	O.E.M. Part #	Qty. Req.
10	OB-70-132	Large Pump O'ring	PC-31-6	3
10/11	BH-7006-25	Pump O'ring Kit	K-40	1
11	OB-70-110	Small Pump O'ring	PL-31-8	3
12	BH-7006-21	Pump	P2.5D	1
13	BH-7004-12	Bolt	1127-AB	3
14	BH-7004-13	Vertical Suction Tube Kit	K-09	1
15	BH-7004-14	Filler Breather 3/8" thread	1214-AA	1
16	BH-7004-15	Magnet	1536-AA	1
17	BH-7004-16	Reservoir Hanger Assy.	1138-CA	3
18	BH-7004-17	Shaft Seal	1094-AA	1
19	BH-7004-18	Coupling 1-1/4"	1118-AA	1
20	BH-7004-19	Switch	1258-AA	1
20	BH-7002-12	Microswitch Boot	1277-AA	1
21	BH-7006-18	Fixed Relief Valve	RV-16	1

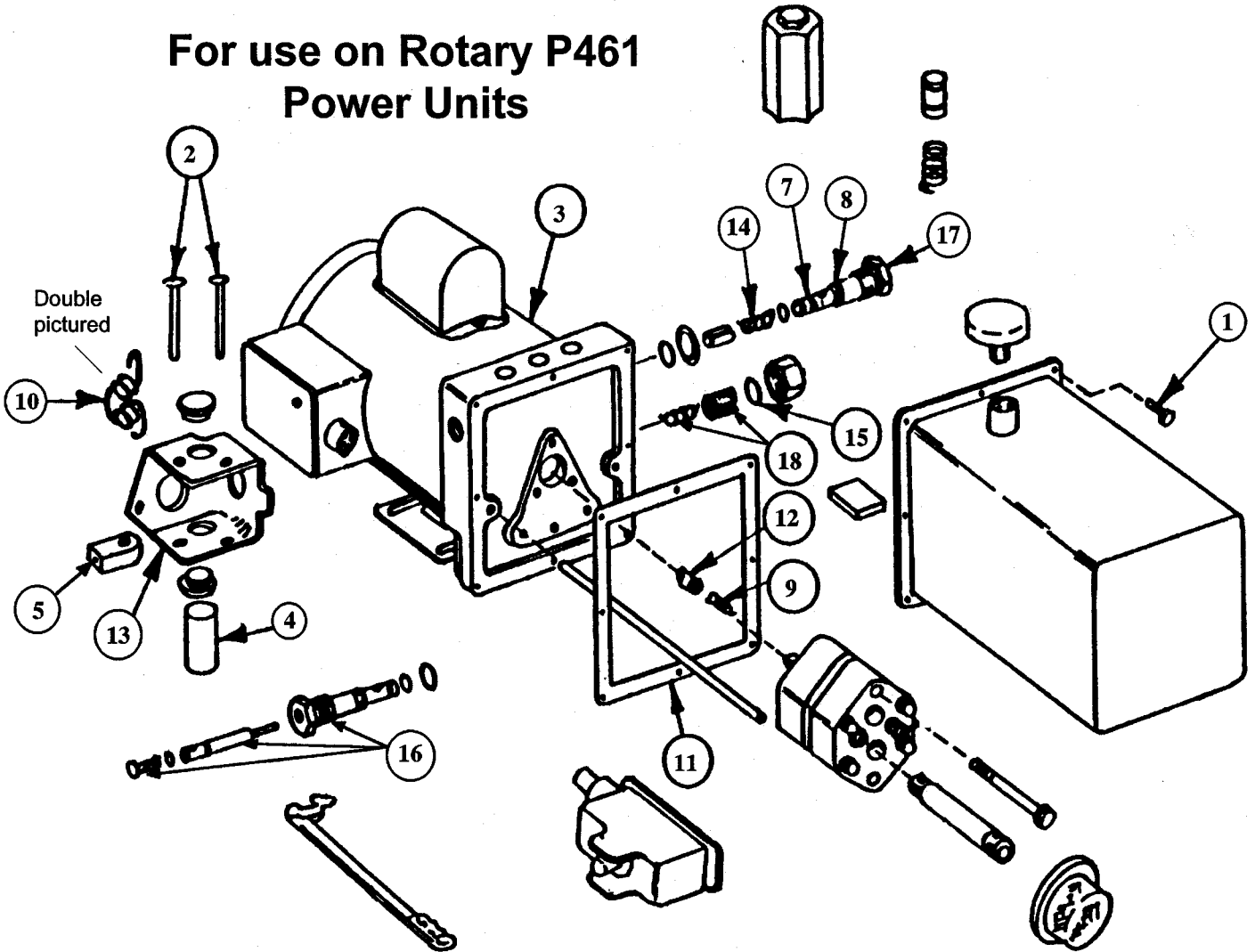
To Order Call: 800 321-8173 or 630-365-9250 / Fax: 800-899-1784 or 630-365-2809

All names, numbers, symbols and descriptions are used for reference purposes only. It is not implied that any part listed is the product of these manufacturers; however, some parts may be the actual product of these manufacturers.

# Surface-Mount Lift Power Units

## Parts for Fenner Fluid Power Units

For use on Rotary P461  
Power Units



Item No.	S V I Part No.	Description	O.E.M. Part #	Qty Req
1	F-HC-0125-24-0375	Hex Head Cap Screw	F1-1010-37	8
2	BH-7005-02	Headed Pin	F6-0181-87	2
3	BH-7005-03	Electric Motor	OBSOLETE	1
4	BH-7005-04	Cam Shaft Assembly	S9-5000-14	1
5	BH-7005-05	Relief Valve Cam Assy.	S9-5001-11	1
7	OB-90-013	O'ring	G1-1010-12	1
8	OB-90-015	O'ring	G1-1010-14	1
9	BH-7005-09	Spring	C1-1033-00	1
10	BH-7005-10	Torsion Spring (double)	C2-1003-02	1
10	BH-7005-10A	Torsion Spring (single)	C2-1002-00	1
10	BH-7005-10B	Torsion Spring (single)	11072	1
11	BH-7005-11	Reservoir Gasket	G3-3002-00	1

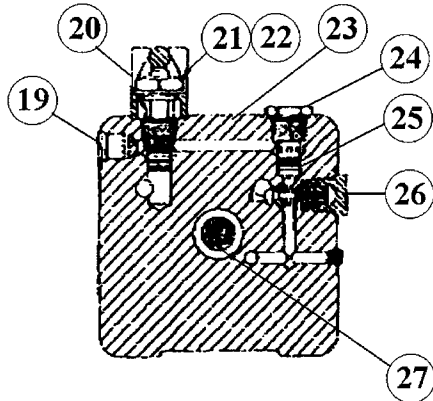
Item No.	S V I Part No.	Description	O.E.M. Part #	Qty. Req
12	BH-7005-12	Coupling	J3-1001-14	1
13	BH-7005-13	Act. Mfg. Bracket Assy.	S9-6000-03	1
14	BH-7005-14	Check Valve Spring Assy.	S1-1009-00	1
15	BH-7005-15	Seal Ring	W6-1006-00	1
16	BH-7005-16	Release Cap & Stem Assy.	2155-AA	1
above includes: S3-1000-01, S4-1000-00				
17	BH-7005-17	Check Cap Assembly	2286-AA	1
18	BH-7005-18	Relief Valve Assembly	RV-2	1
above includes: W5-1020-95				

To Order Call: 800 321-8173 or 630-365-9250 / Fax: 800-899-1784 or 630-365-2809



# Surface-Mount Lift Power Units

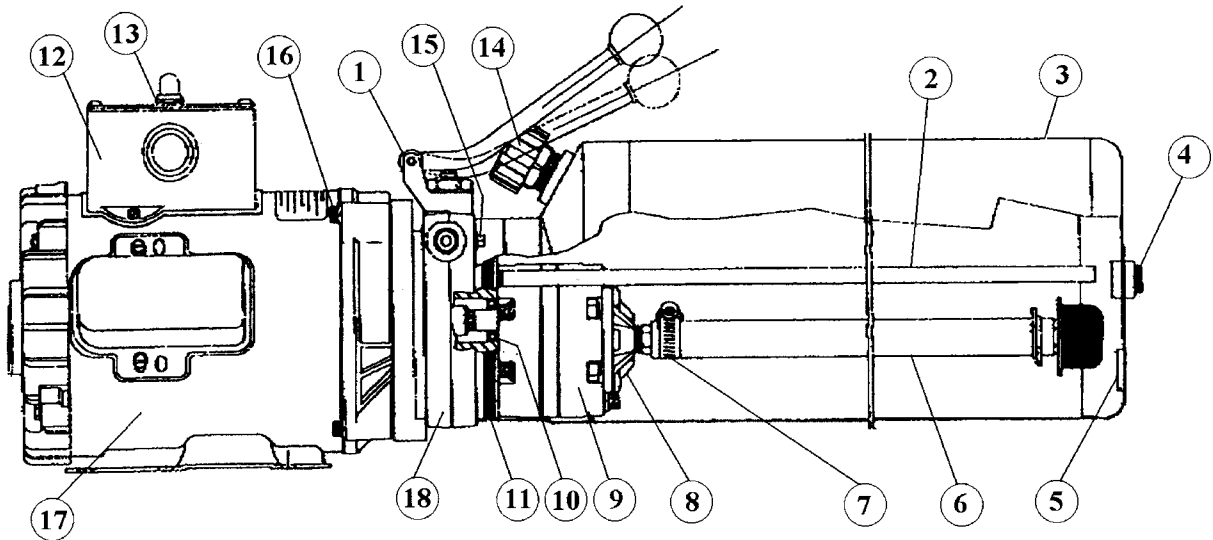
## Parts For Fenner Fluid Power Units



**Equal to Hunter 139-47-2**  
 2 Horse Power Unit, 1.6 GPM at 2450 PSI,  
 2850 PSI maximum at no flow

**&**

**Equal to Hunter 139-45-2**  
 3 Horse Power Unit, 2.3 GPM at 2450 PSI,  
 2850 PSI maximum at no flow



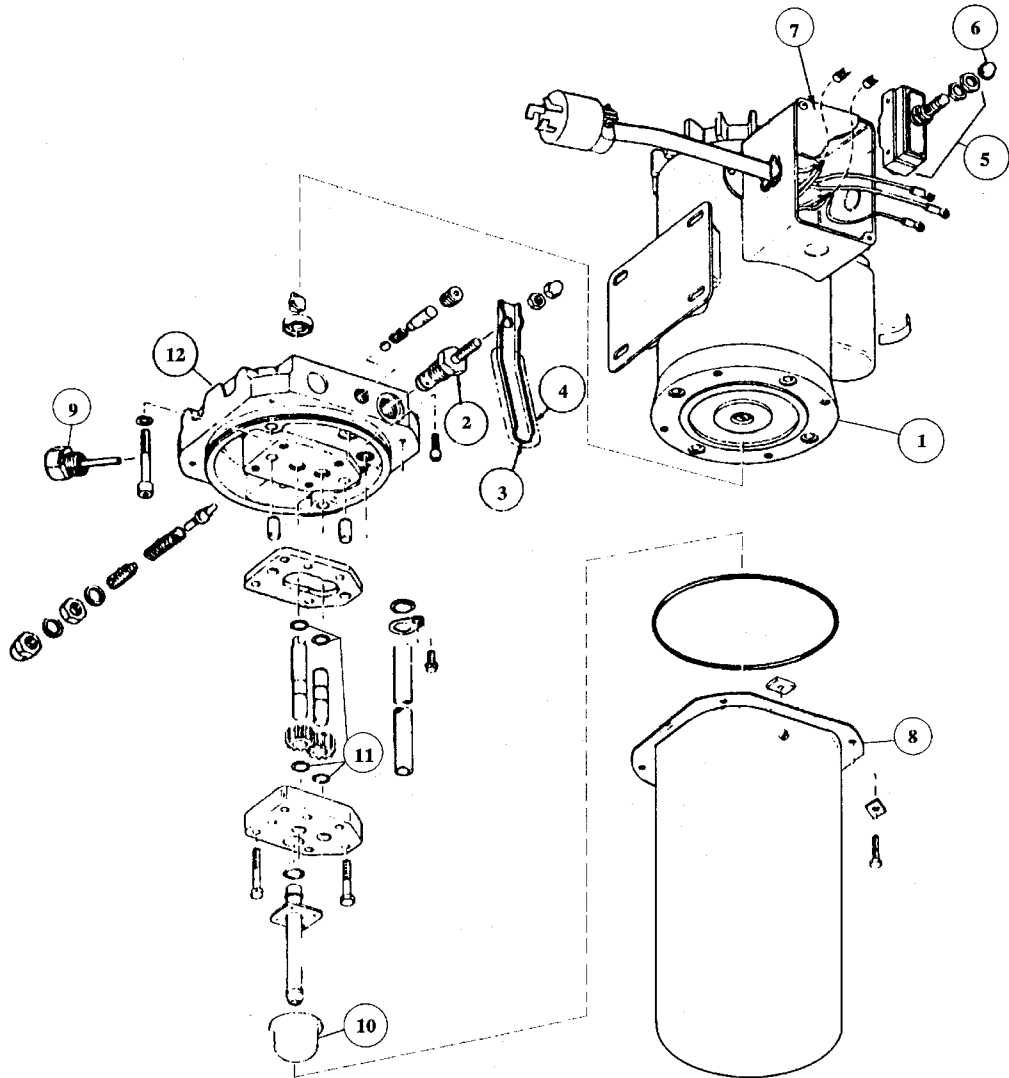
Item No.	S V I Part No.	Description	O.E.M. Part #	Qty Req
1	BH-7007-64	Bracket Handle Assy	2565-AA	1
2	BH-7006-26	Return Tube 3/8" X 22"	T2-1006-27	1
3	BH-7007-75	Tank 3.5 gallon 23" black	R1-6000-20	1
4	BH-7007-52	Plumbing Plug	1456-AA	1
5	BH-7004-15	Plumbing Magnet	1536-AA	1
6	BH-7006-24	Plumbing Assy Inlet	2569-AA	1
7	BH-7007-59	Hose Clamp	2231-AA	1
8	BH-7007-58	Suction Cover Assy	2156-AA	1
9	BH-7007-73	Pump Assy Short Spline	PS-2.0	1
10	BH-7007-50	Shaft Seal	1205-AA	1
11	OB-70-348	O-Ring	G1-1073-48	1
12	BH-7006-10	Wiring Assy 1Ph Doerr	W-21	1
13	BH-7007-56	Electric Stakon Nut	1820-AA	1
14	BH-7006-27	Fill/Breather Cap	1683-AB	1

Item No.	S V I Part No.	Description	O.E.M. Part #	Qty Req
15	BH-7006-29	Hex Bolt	F2-1170-31	4
16	F-SC-0250-20-1500	Socket Head Capscrew	F3-1021-50	4
16	BH-7007-53	Washer	1479-AA	4
17	BH-7007-60	Electric Motor 1Ph 2Hp	2235-AC	1
17	BH-7007-60A	Electric Motor 1Ph 3Hp	2883-AC	1
18	BH-7007-71	Endhead Motor Adapter	H2-1013-03	1
19		Port 9/16" SAE		
20	BH-7006-16	Manual Release Valve	VF-9021	1
21	BH-7007-62	Hex Nut	2534-BA	1
22	BH-7007-63	Washer	2535-AA	1
23	BH-7007-72	Endhead Finished	N1-0004-33	1
24	BH-7006-17	Check Valve Assembly	2507-AA	1
25	BH-7007-76	Relief Valve (190 BAR)	RV-19	1
26	BH-7006-19	Relief Cap Assembly	1600-BA	1
28	BH-7006-14	Coupling SAE 9T-20/40	2181-BA	1

To Order Call: 800 321-8173 or 630-365-9250 / Fax: 800-899-1784 or 630-365-2809

# Surface-Mount Lift Power Units

## Parts for MTE Power Units



Item No.	S V I Part No.	Description	Qty Req
1	BH-7000-10	2 Hp Single Phase Motor OBSOLETE	1
2	BH-7000-11	Manual Release Valve	1
3	BH-7000-12	Lever for Release Valve	1
4	BH-7000-13	Vinyl Grip for Release Valve Lever	1
5	BH-7004-19	Push Button Start Switch	1
6	BH-7002-12	Switch Protector Boot	1
7	BH-7000-16	Switch Cover Box	1
8	BH-7000-17	2.5 Gallon Vertical Reservoir 1	
9	BH-7000-18	Filler/Breather Cap	1
10	BH-7000-19	Filler Element	1
11	BH-7000-20	Shaft Seal Kit O-rings	1 set
12	BH-7000-21	Hydraulic Pump Assembly *	1

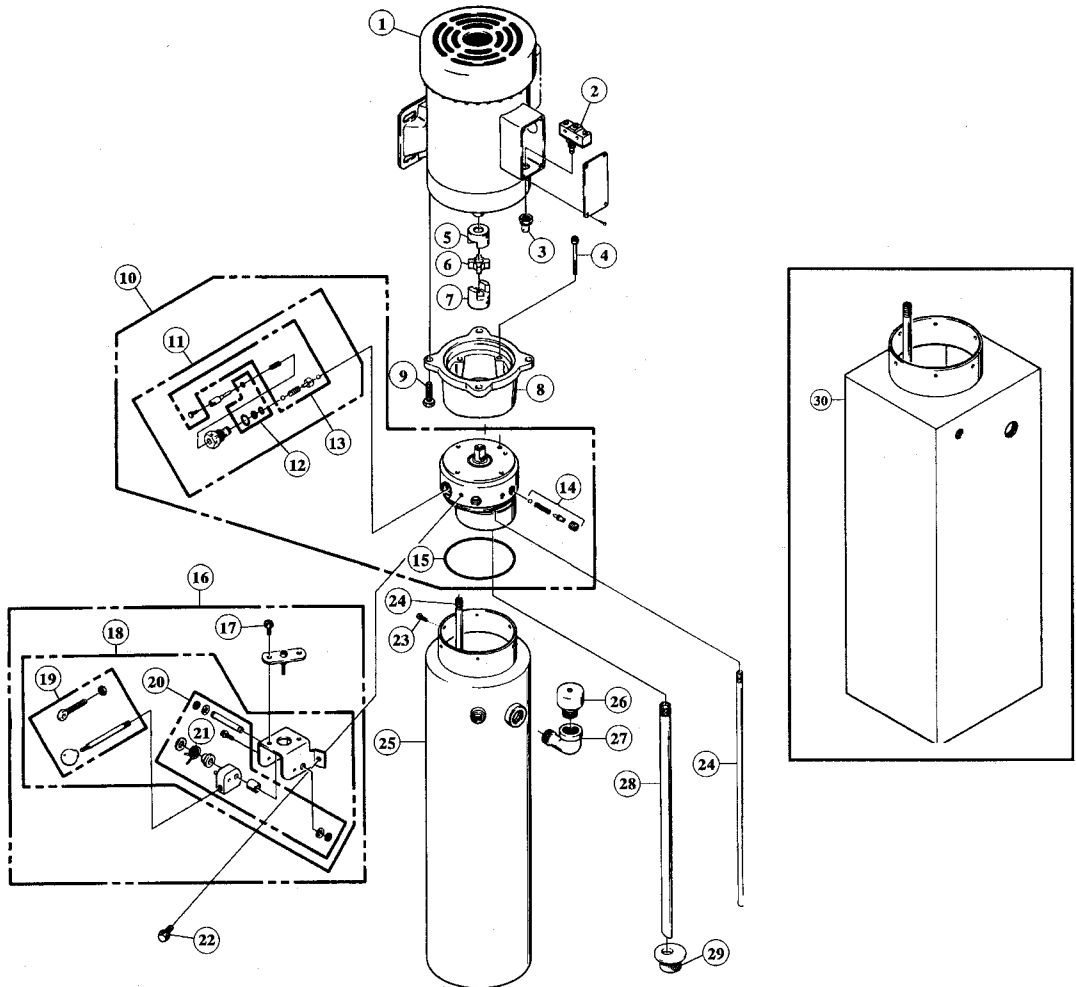
\* Hydraulic Pump Assembly includes Drive Plate assembly with relief valve and outer check valve, drive shaft and idler shaft assembly, gear case, end plate assembly and shaft seal.

To Order Call: 800 321-8173 or 630-365-9250 / Fax: 800-899-1784 or 630-365-2809



# Surface-Mount Lift Power Units

## Parts for Monarch Power Units



Item No.	SVI Part No.	Description	O.E.M. Part #	Qty Req
1	BH-7002-10	2hp, 1ph. 3450 RPM Motor	8137	1
2	BH-7004-19	25 Amp Limit Switch	03529	1
3	BH-7002-12	Rubber Pushbutton Boot	03230	1
4	F-SC-0250-20-1000	1" Socket Hd Cap Screw	07760	4
4	F-SC-0250-20-2000	2" Socket Cap Screw	07745	Opt.
4	F-SC-0250-20-3000	3" Socket Hd Cap Screw	07818	Opt.
5	BH-7002-16	Coupling 5/8" Bore	01139	1
6	BH-7002-17	Spider Coupling	01603	1
7	BH-7002-18	Coupling 5/8" Bore	01189	1
8	BH-7002-19	Housing, Adapter	01605	1
9	F-HC-0375-16-0750	Hex Head Cap Screw	07817	4
10	BH-7002-21	Pump Assembly	02766	1
11	BH-7002-22	Lowering Valve Parts Kit	03680	1
12	BH-7002-23	Plunger & Housing O-rings	02352	1
13	BH-7002-24	Check Valve Parts Kit	03606	1
14	BH-7002-25	Relief Valve Parts Kit	02222	1
15	BH-7002-26	Pump O-ring	02352	1

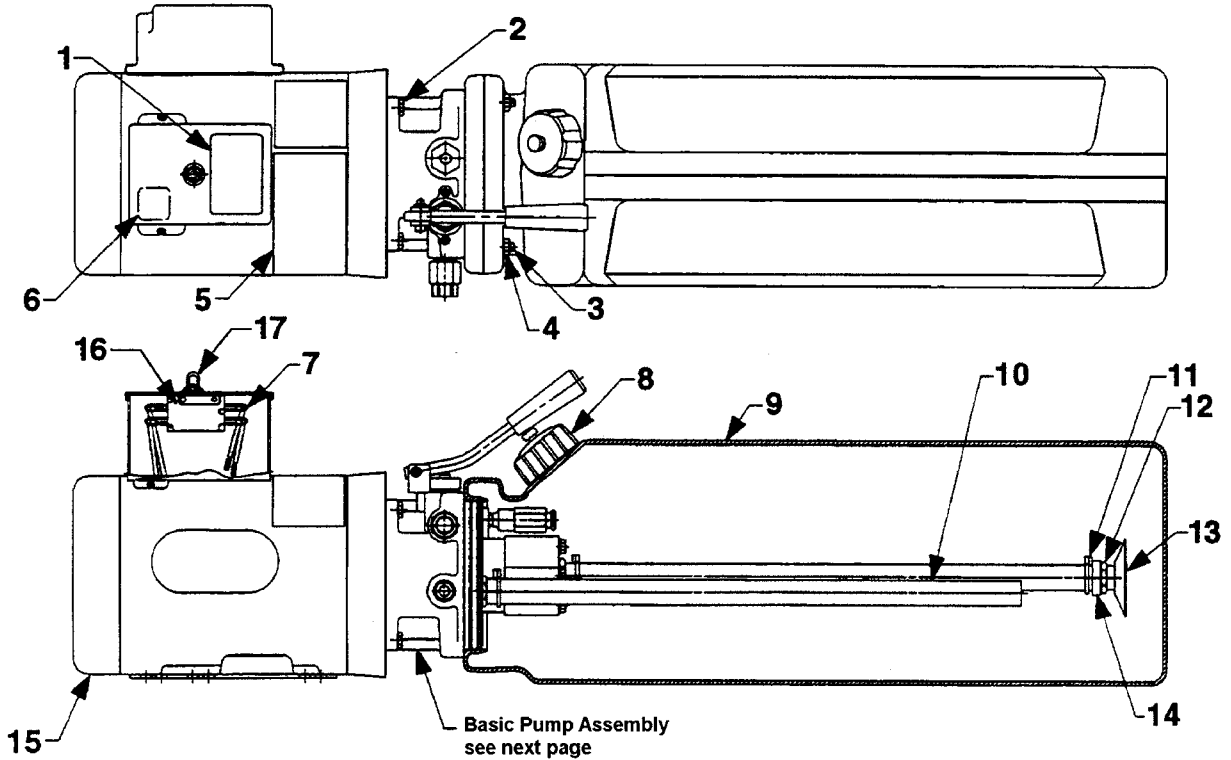
Item No.	SVI Part No.	Description	O.E.M. Part #	Qty Req
16	BH-7002-27	Bracket Assy. Complete	03718	1
17	F-HW-0250-20-0500	Hex Washer Head Screw	07886	2
18	BH-7002-29	Bracket Assy. Parts Kit	03717	1
19	BH-7002-30	Handle Assy. Parts Kit	03647	1
20	BH-7002-34	Switch Assy. Parts Kit	0366	1
21	BH-7002-35	Torsion Spring	00071	1
22	F-HW-0312-18-0625	Hex Washer Head Screw	07889	4
23	F-MS-0010-24-0375	Machine Screw	07703	6
24	BH-7002-44	Return Tube-Rect. Reserv.	01676	Opt.
24	BH-7002-45	Return Tube-Cyl. Reserv.	01931	1
25	BH-7002-38	Reservoir 6" x 21" 2.6 Gal.	6338	1
26	BH-7002-39	Vent Plug	01143	1
27	BH-7002-40	3/4" NPT Street Elbow	01283	1
28	BH-7002-41	Filter Suction Tube	01675	1
29	BH-7002-43	Filter Screen (Suction)	01134	1
30	BH-7002-46	Reservoir - Rectangular	06984	Opt.

To Order Call: 800 321-8173 or 630-365-9250 / Fax: 800-899-1784 or 630-365-2809

All names, numbers, symbols and descriptions are used for reference purposes only. It is not implied that any part listed is the product of these manufacturers, however, some parts may be the actual product of these manufacturers.

## Surface-Mount Lift Power Units

# SPX Power Team Power Units



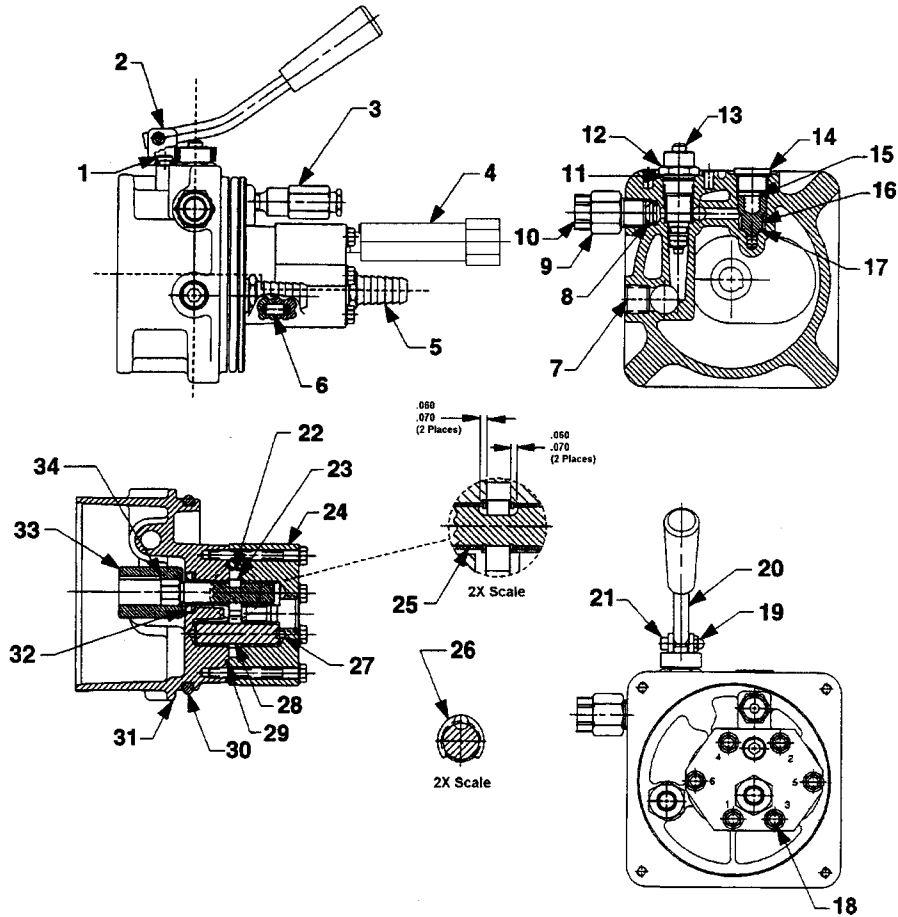
Item No.	S V I Part No.	Description	O.E.M. Part #	Qty Req
1	BH-7008-11	Control Decal	253108	1
2	BH-7008-12	Screw	10048	4
3	BH-7008-13	Reservoir Support	253538	4
4	BH-7008-14	Screw	10009	4
5	BH-7008-15	Warning Decal	351667	1
6	BH-7008-15A	ETL Decal	253287	1
7	BH-7008-16	Wire Assembly	351867	2
8	BH-7008-17	Filler Breather Cap	252646	1
9	BH-7008-18	3.5 Gallon Reservoir	66146	1
10	BH-7008-19	Plastic Tubing	252630	1
11	BH-7008-20	Hose Clamp	252756	3
12	BH-7008-21	Hose Fitting	252617	1
13	BH-7008-22	Filter	29682	1
14	BH-7008-23	Magnet	253331	1
15	BH-7008-24	Electric Motor 208/230V	59089	1
16	BH-7008-59	Microswitch		1
17	BH-7008-60	Microswitch Rubber Boot		1

**Note:** these units can also be found on certain make high pressure, low volume in-ground lifts.



# Surface-Mount Lift Power Units

## SPX Power Team Power Units



Item No.	SVI Part No.	Description	O.E.M. Part #	Qty Req
1	BH-7008-25	Screw (torque to 70in. lbs.)	253493	1
2	BH-7008-26	Mounting Bracket	351963	1
3	BH-7008-27	Relief Valve* (2500 PSI)	421638-25	1
4	BH-7008-28	Soft Start Valve	351834	1
5	BH-7008-29	Hose Fitting	252618	2
6	BH-7008-30	Pin	15156	2
7	BH-7008-31	Plug 3/8"	16232	1
8	BH-7008-32	Filter	253519	1
9	BH-7008-33	Fitting	253491	1
10	BH-7008-34	Fitting	250962	1
11	BH-7008-35	O-Ring	10527	1
12	BH-7008-36	Release Valve Cap	351787	1
13	BH-7008-37	Release Valve	351633	1
14	BH-7008-38	Plug 1/2"	214014	1
15	BH-7008-39	Spring	10425	1
16	BH-7008-40	Poppet Body	351827	1

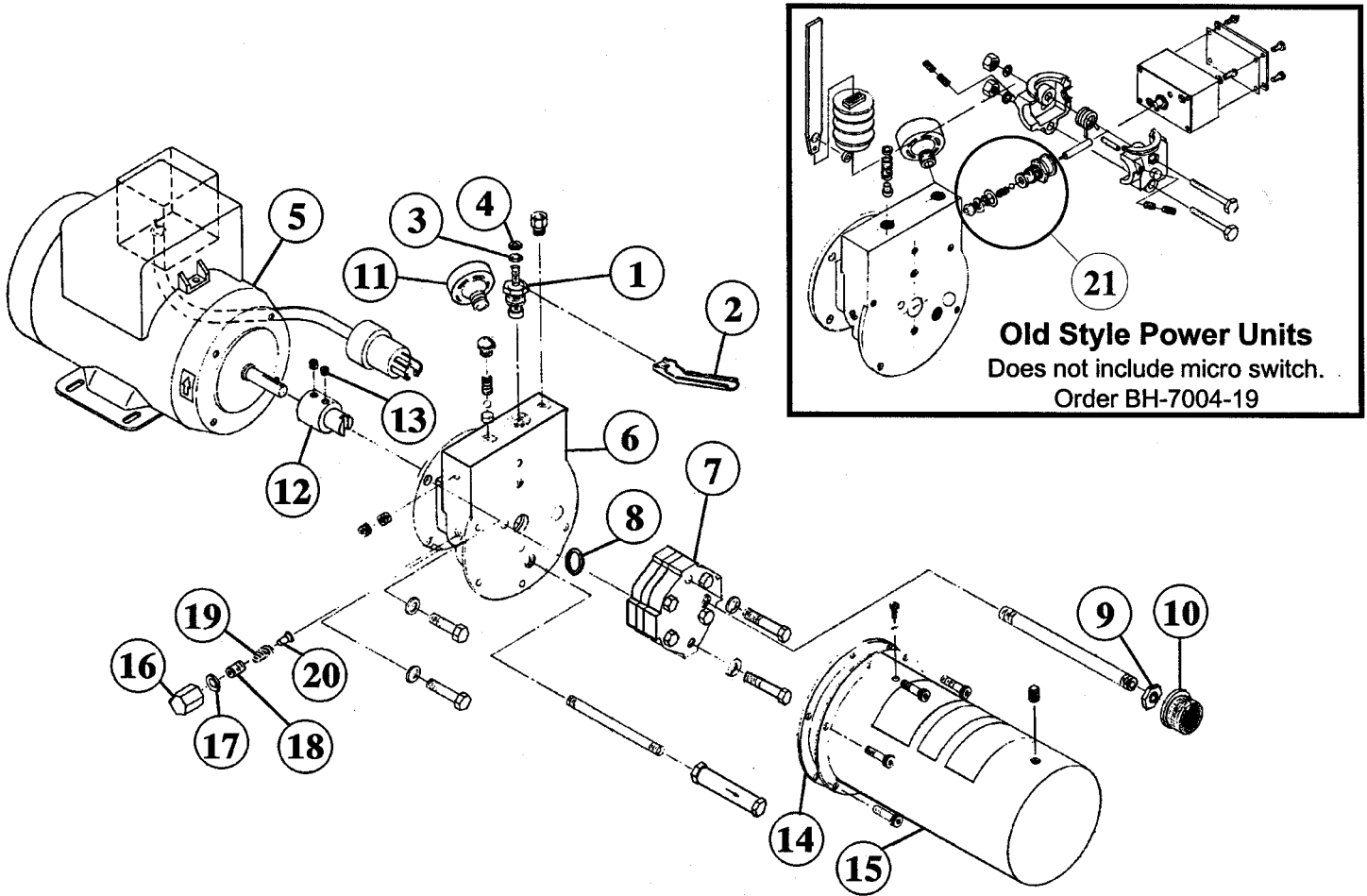
Item No.	SVI Part No.	Description	O.E.M. Part #	Qty Req
17	BH-7008-41	O-Ring	14763	1
18	BH-7008-42	Screw	253494	6
19	BH-7008-43	Locking Hex Nut	207405	1
20	BH-7008-44	Handle	351785	1
21	BH-7008-45	Screw	253086	1
22	BH-7008-46	Gear	421625-2.0	2
23	BH-7008-47	Key	253070-2.0	1
24	BH-7008-48	Pump Body	65918-2.0	1
25	BH-7008-49	Sleeve Bearing	253071	4
26	BH-7008-50	Retaining Ring	253072	2
27	BH-7008-51	Ball 3/16"	12223	2
28	BH-7008-52	Shaft	253068	1
29	BH-7008-53	O-Ring	253069	1
30	BH-7008-54	O-Ring	252645	1
31	BH-7008-55	Valve Body	65738	1
32	BH-7008-56	Shaft Oil Seal	252616	1
33	BH-7008-57	Coupling	351625	1
34	BH-7008-58	Shaft	351627-2.0	1

\* Relief Valves with other pressure settings are available. Consult the SVI Price List or contact an SVI sales representative.

To Order Call: 800 321-8173 or 630-365-9250 / Fax: 800-899-1784 or 630-365-2809

# Surface-Mount Lift Power Units

## Parts for Webster Power Units



Item No.	SVI Part No.	Description	O.E.M. Part #	Qty Req
1	BH-7001-01	Lowering Valve (E-Clip)	86957	1
1	BH-7000-11	Lowering Valve (New Style)	See MTE	1
1	BH-7001-02	Lowering Handle	86876-1	1
2	BH-7001-05	Handle Lever Grip	86282-3	1
3	BH-7001-03	Washer	29602-218	1
4	BH-7001-04	Retaining Ring	29642-25	1
5	BH-7001-06	2 HP, Single Phase Motor	86869-3	1
5	BH-7001-07	2 HP, 3 Phase Motor	86868-5	Opt.
6	BH-7001-09	Mounting Plate Assy.	86925-2	1
7	BH-7001-10	18B3W3ALX-23L Pump	49903-12	1
7	BH-7001-11	13B3W3ALX-23L Pump	49911-20	Opt.
8	OB-70-012	O-ring	29771-012	1
9	BH-7001-13	Pal Nut	86373	1
10	BH-7001-14	Strainer	86110	1

Item No.	SVI Part No.	Description	O.E.M. Part #	Qty. Req
11	BH-7001-17	Filler/Breather	80083P	1
12	BH-7001-18	Coupling	90883	1
13	BH-7001-19	Set Screw	29540-5	2
14	BH-7001-20	Gasket	80086-13	1
15	BH-7001-21	3 Gallon Reservoir Tank	80055-21A	1
16	BH-7001-24	Relief Valve Cap	151-23413	1
17	BH-7001-25	Relief Valve Gasket	171-86598	1
18	BH-7001-26	Relief Valve Adj. Screw	151-25395	1
19	BH-7001-27	Relief Valve Spring	151-23575	1
20	BH-7001-28	Relief Valve Poppet	151-25002	1
<p>SVI has available replacement lowering valves for old style Webster power units. This valve has been discontinued by the manufacturer but is available from SVI.</p>				
21	BH-7001-23	Lowering Valve Assy. Retro	80768	1

To Order Call: 800 321-8173 or 630-365-9250 / Fax: 800-899-1784 or 630-365-2809

All names, numbers, symbols and descriptions are used for reference purposes only. It is not implied that any part listed is the product of these manufacturers; however, some parts may be the actual product of these manufacturers.