



Lift Repair Catalog

Solving auto lift industry needs since 1977.



LRC7340

S V I International, Inc. - Lift Repair Catalog

July 2005

Lift Repair Parts for

Mohawk Lifts

To Order Call: 800-321-8173 or 630-844-5566 / Fax: 800-899-1784 or 630-844-6770

Call about bolt-on
overhead limit shut-off
solutions for Mohawk lifts.



FEATURING
SVI "DIRECT FIT" BRAND
LIFT REPAIR PARTS



Contents of parts for Mohawk models:

A-7	pages 2 thru 5
System 1A	pages 6 thru 6
LMF-12	pages 10 thru 12
TP-15	pages 10 thru 12

SVI International, Inc.
Baltimore • Chicago • Los Angeles
101 W. Illinois Ave., Aurora, IL 60506

Ph. 630-844-5566 or 800-321-8173
Fax 630-844-6770 or 800-899-1784
www.sviinternational.com

Lift Repair Parts

SVI is your answer!

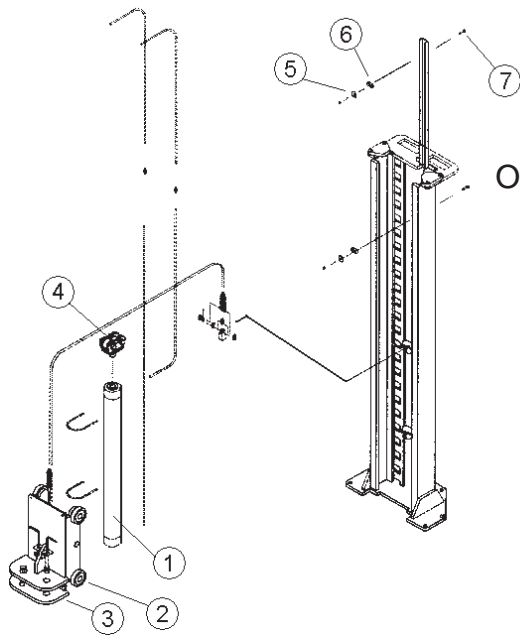
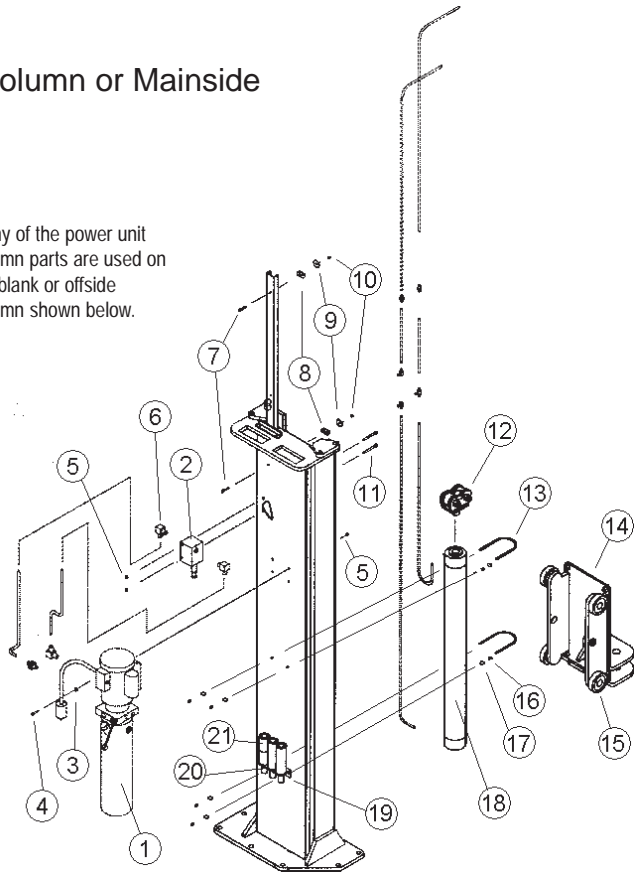


Parts for Model A-7

Power Unit Column or Mainside

Item	SVI P/N	Ref OE#	Description
1	BH-7340-22	601-300-045	Power Unit
2	BH-7340-51	601-410-030	Diverter Valve
3	BH-7340-52	601-710-001	Double Hyd Line Clip
4	F-HC-0312-18-1000	600-640-001	5/16"-18 x 1" Bolt
5	F-LN-0312-18	600-690-001	5/16"-18 Lock Nut
6	BH-7000-06	601-420-017	90° Elbow 90 "O" to #6 JIC
7	F-HC-0250-20-1500	600-640-019	1/4"-20 x 1-1/2" Bolt
8	BH-7340-52	601-710-001	Double Hyd Line Clip
9	F-FW-0312-FW	600-710-006	5/16 x 1-1/2" Flatwasher
10	F-LN-0250-20	600-690-005	1/4"-20 Lock Nut
11	F-HC-0312-18-3500	600-640-020	5/16"-18 x 3-1/2" Bolt
12	BH-7340-53	006-000-021	Cylinder Yoke Assembly
13	BH-7340-57	007-007-121	Cyl U-Bolt
14	BH-7340-58	007-010-004	Carriage Assembly
15	BH-7606-21	600-860-012	Carriage Roller Assembly
16	F-HN-0250-20	600-680-006	1/4"-20 Hex Nut
17	F-FW-0250	600-710-004	1/4" Flatwasher
18	BH-7340-59	007-007-001	Power Unit Side Cyl Assy
19	BH-7340-15BK	025-002-126	Height Extension Bracket
20	BH-7340-15	025-002-128	6" Nesting Height Extension
21	BH-7340-12	025-002-127	3" Nesting Height Extension
	BH-7340-13		4" Nesting Height Extension
	BH-7340-14		5" Nesting Height Extension

Many of the power unit column parts are used on the blank or offside column shown below.

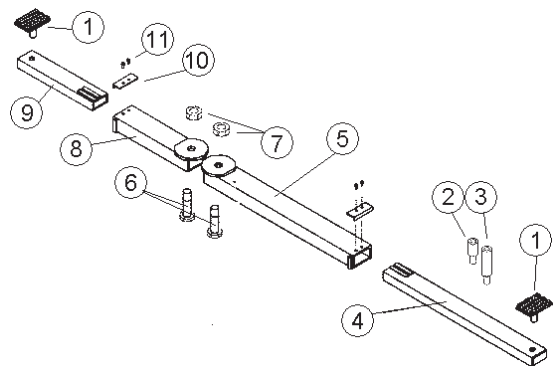


Opposite Side Column or Offside

Item	SVI P/N	Ref OE#	Description
1	BH-7340-60	007-007-002	Opposite Side Cylinder Assembly
2	BH-7606-21	600-860-012	Carriage Roller Assembly
3	BH-7340-58	007-010-004	Carriage Assembly
4	BH-7340-53	006-000-021	Cylinder Yoke Assembly
5	F-FW-0312-FW	600-710-006	5/16 x 1-1/2" Flatwasher
6	BH-7340-52	601-710-001	Double Hyd Line Clip
7	F-HC-0250-20-1500	600-640-019	1/4"-20 x 1-1/2" Bolt

Arm Parts

Item	SVI P/N	Ref OE#	Description
1	BH-7341-58*	007-007-035	Steel Adapter Pad std.
1	BH-7341-60*	007-007-036	Steel Adapter Pad 1" taller
2	BH-7340-12	025-002-127	3" Nesting Height Extension
3	BH-7340-15	025-002-128	6" Nesting Height Extension
4	BH-7340-96	007-007-017	Long Inner Arm
5	BH-7340-97	007-007-015	Long Outer Swing Arm
6	BH-7340-98	007-010-103	Arm Pin
7	BH-7340-99	690-690-015	Arm Pin Nut
8	BH-7341-01	007-007-076	Short Outer Swing Arm
9	BH-7341-02	007-007-077	Short Inner Arm
10	BH-7341-03	007-007-130	Inner Arm Stop Plate
11	F-HC-0625-24-0625	600-600-004	5/16"-24 x 5/8" Bolt



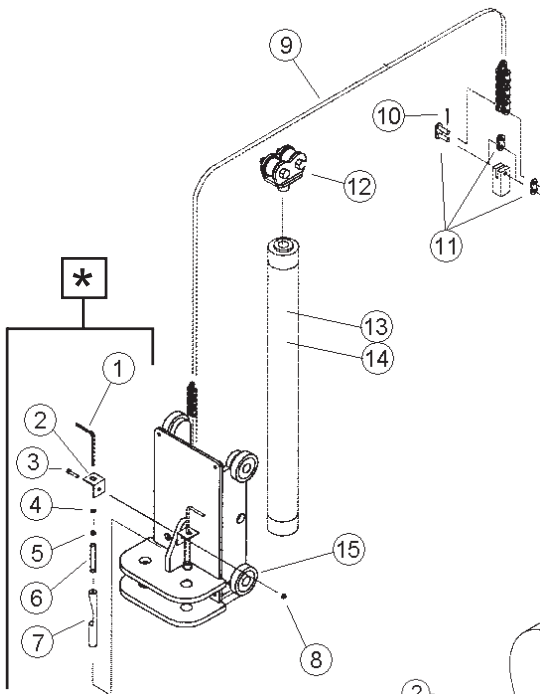
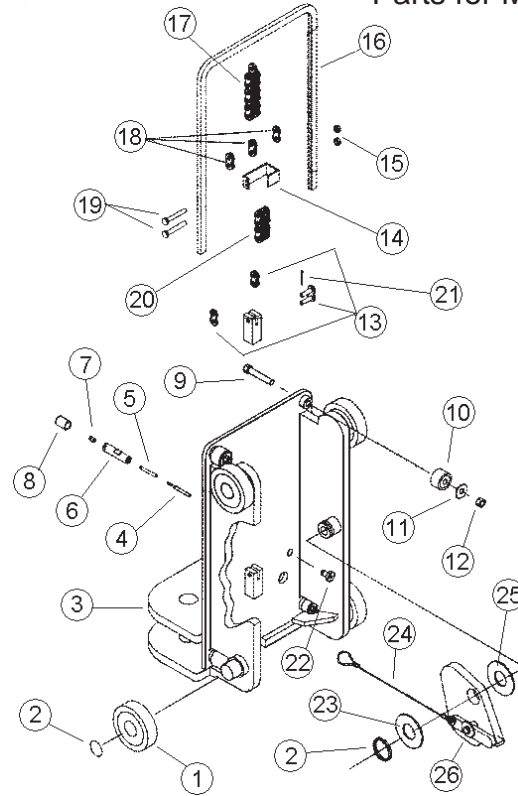
* See SVI Price List or consult SVI DSR for more adapter selections



Item	SVI P/N	Ref OE#	Description
1	BH-7606-21	600-860-012	Carriage Roller Assembly
2	F-RRE-1375	600-870-001	1-3/8" Snap Ring
3	BH-7341-04	007-010-005	Carriage Structure
4	BH-7341-05	009-010-124	Plunger
5	BH-7341-06	600-840-019	Spring
6	BH-7341-07	009-010-126	Housing
7	F-HC-0375-16-0500	600-630-001	3/8" 16 x 1/2 Screw
8	BH-7341-08	601-460-001	Protective Vinyl Cap
9	F-HC-0437-14-2500	600-640-006	7/16"-14 x 2-1/2" Bolt
10	BH-7606-20	600-860-002	Cam Roller 1-1/2"
11	F-FW-0437-SAE	600-710-005	7/16" Flatwasher
12	F-NL-0437-16	600-690-006	7/16-14 Lock Nut
13	BH-7029-01	600-830-026	Master Link
14	BH-7341-09	007-007-167	Chain Guide
15	F-NL-0312-18	600-690-001	5/16"-18 Lock Nut
16	BH-7341-10	007-007-401	Trim
17	BH-7029	600-830-003	Leaf Chain order 67 Pitches
18	BH-7029-01L	600-830-027	BH-7029 Chain Link
19	F-HC-0312-18-2500	600-640-050	5/16-18 x 2-1/2" Bolt
20	BH-7029	009-010-437	Leaf Chain order 3 Pitches
21	F-CP-093-1500	600-890-001	3/32" x 1-1/2" Cotter Pin
22	BH-7341-11	009-010-125	Cap
23	BH-7341-12	007-007-178	Washer
24	BH-7341-13	007-007-046	Lock Release Cable
25	F-FW-1375-SAE	600-710-014	1-3/8" Flatwasher
26	BH-7341-14	007-010-013	Carriage Lock Assembly

Carriage Parts

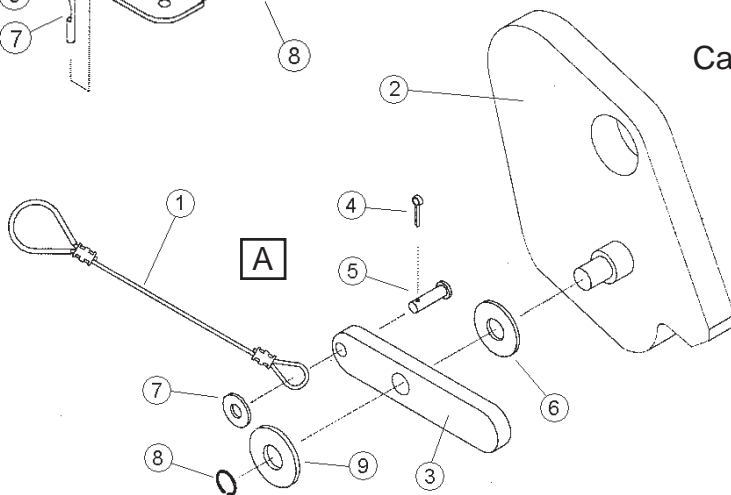
Parts for Model A-7



Item	SVI P/N	Ref OE#	Description
*	BH-7340-20-1		Arm Restraint Kit (items 1 - 7)
1	BH-7340-20D	007-007-141	Arm Restraint Handle
2	BH-7341-18	007-007-140	Handle Bracket
3	F-HC-0312-18-1500	600-640-002	5/16"-18 x 1-1/2" Bolt
4	F-FW-0312-SAE	600-710-003	5/16" Flatwasher
5	F-HN-0312-18	600-680-003	5/16" Hex Nut
6	BH-7341-19	600-840-007	Arm Restraint Spring
7	BH-7341-20	007-007-119	Arm Restraint Bar
8	F-LN-0312-18	600-690-001	5/16-18 Lock Nut
9	BH-7029	600-830-003	Leaf Chain order 67 Pitches
10	F-CP-093-1500	600-890-001	3/32" x 1-1/2" Cotter Pin
11	BH-7029-01	600-830-026	Master Link
12	BH-7340-53	006-000-021	Cylinder Yoke Assembly
13	BH-7340-59	007-007-001	Power Unit Side Cyl Assy
14	BH-7340-60	007-007-002	Opposite Side Cylinder Assembly
15	BH-7606-21	600-860-012	Carriage Roller Assembly

Carriage Lock Parts

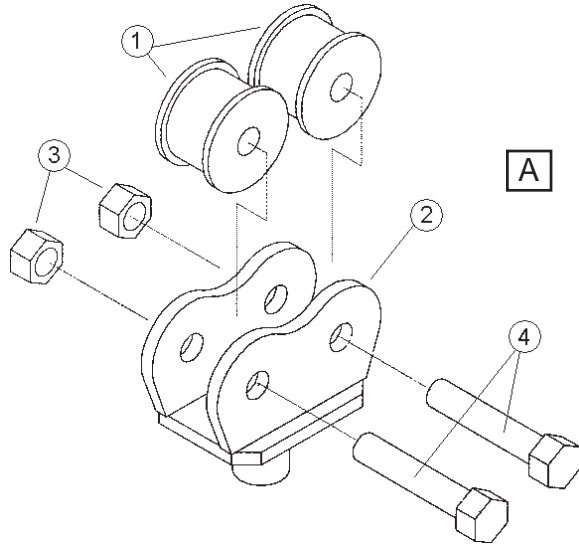
Item	SVI P/N	Ref OE#	Description
A	BH-7341-14	007-010-013	Complete Lock Assembly
1	BH-7341-13	007-007-046	Lock Release Cable
2	BH-7341-15	009-010-067	Lock Latch
3	BH-7340-08	007-007-147	Lock Release Flipper
4	F-CP-093-0500	600-890-002	3/32" x 1/2" Cotter Pin
5	F-CV-250-0875	600-880-001	7/8" x 1/4" Clevis Pin
6	F-FW-0500-USS	600-710-008	1/2" Flatwasher
7	F-FW-0250-USS	600-710-004	1/4" Flatwasher
8	F-RRE-0500	600-870-003	1/2" Snap Ring
9	F-FW-0437-USS	600-710-005	7/16" Flatwasher





Parts for Model A-7

This Rebar Cutter is an essential tool to have on hand when installing or relocating any Mohawk lift or any other lift for that matter. The next time you hit rebar switch to this bit and a rotary drill and make cutting through pesky rebar a snap. Order yours today.



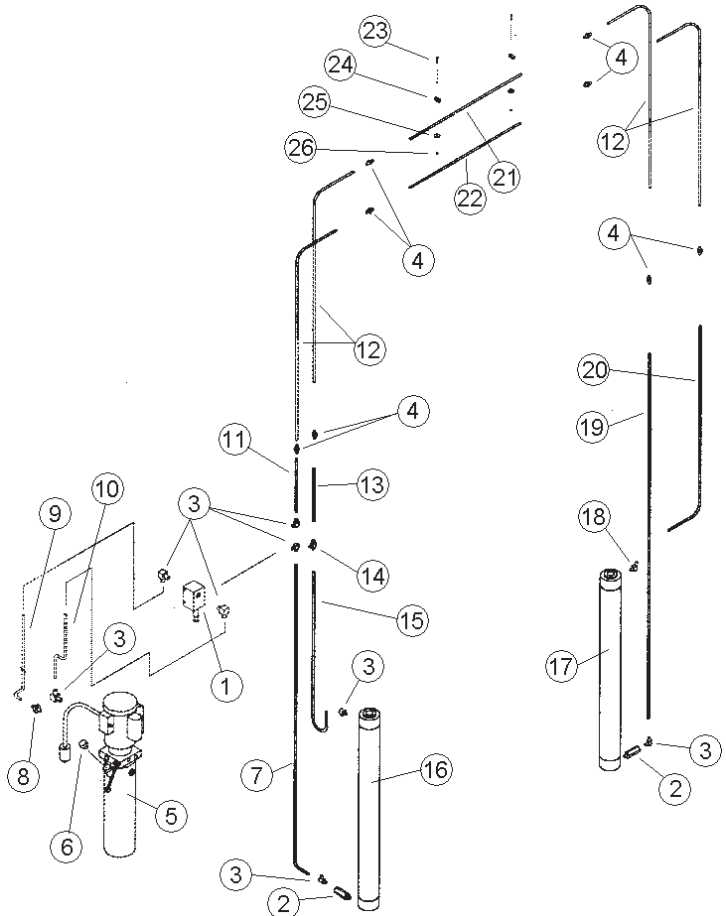
A Chain Roller Parts

Item	SVI P/N	Ref OE#	Description
A	BH-7340-53	006-000-021	Cylinder Yoke/Roller Assembly
1	BH-7340-54	600-860-005	Chain Roller
2	BH-7340-55	006-000-012	Chain Roller Housing
3	F-NL-0750-16	600-690-003	3/4"-16 Lock Nut
4	BH-7340-56	006-000-139	Chain Roller Axle

Protect vehicle and hydraulic line damage as a result of over raising the vehicle on the lift. Call about bolt-on overhead limit shut-off solutions.

Hydraulic Routing

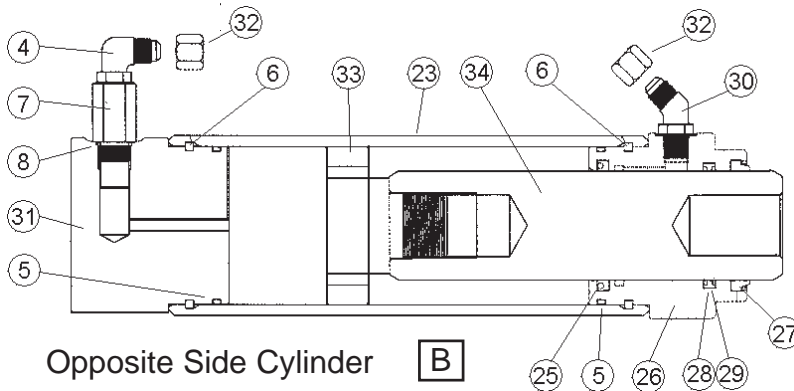
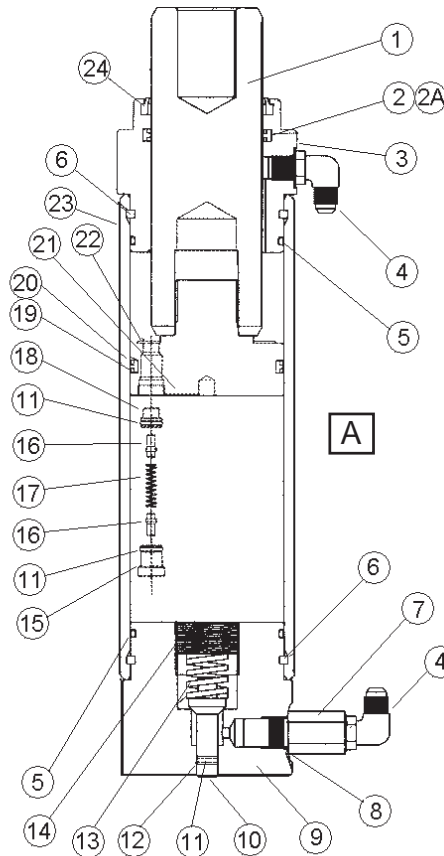
Item	SVI P/N	Ref OE#	Description
1	BH-7340-51	601-410-030	Flow Diverter Valve
2	BH-7340-66	601-410-031	4 GPM Velocity Fuse
3	BH-7000-06	601-420-017	90° Elbow 90 "O" to #6 JIC
4	BH-7341-21	601-420-011	Straight Union #6 JIC
5	BH-7341-22	601-300-045	Power Unit
6	BH-7002-39	601-310-005	Breather Cap (monarch)
7	BH-7341-23	007-007-051	74" Steel Tube Assembly
8	BH-7210-30	601-420-019	Fitting O-Ring to #6 JIC
9	BH-7341-24	007-007-083	24-3/4" Steel Tube Assembly
10	BH-7341-25	007-007-084	20-3/4" Steel Tube Assembly
11	BH-7341-26	000-001-019	9-1/2" Steel Tube Assembly
12	BH-7341-27	007-007-020	64" Steel Tube Assembly
13	BH-7341-28	000-001-018	12" Steel Tube Assembly
14	BH-7341-34	601-420-046	Tee O-Ring to #6 JIC to #6 JIC
15	BH-7341-29	007-007-050	43" Steel Tube Assembly
16	BH-7340-59	007-007-001	Power Unit Side Cyl Assy
17	BH-7340-60	007-007-002	Opposite Side Cylinder Assembly
18	BH-7340-84	601-420-061	45° Elbow O-Ring to #6 JIC
19	BH-7341-30	000-001-015	86" Steel Tube Assembly
20	BH-7341-31	007-007-031	45-1/4" Steel Tube Assembly
21	BH-7341-32	000-001-013	85-7/8" Steel Tube Assembly
22	BH-7341-33	000-001-014	84-3/8" Steel Tube Assembly
23	F-HC-0250-20-1500	600-640-019	1/4"-20 x 1-1/2" Bolt
24	BH-7340-52	601-710-001	Double Hyd Line Clip
25	F-FW-0312-FW	600-710-006	5/16" Fender Washer
26	F-LN-0250-20	600-690-005	1/4"-20 Lock Nut





Parts for Model A-7

Power Unit
Column Cylinder



Item	SVI P/N	Ref OE#	Description
A	BH-7340-59	007-007-001	Power Unit Column Cylinder Assy
B	BH-7340-60	007-007-002	Opposite Side Cylinder Assy
1	BH-7340-61	009-001-105	Cylinder Rod
2	BH-7340-62	601-000-003	T-Seal for Rod
2A	with item 2	601-060-007	T-Seal Back Up
3	BH-7340-64	015-000-109	Cylinder Rod Gland
4	BH-7006-06	601-420-017	90° Elbow
5	OB-90-237	601-030-003	O-Ring
6	BH-7340-65	025-002-132	Gland Retaining Ring/Key
7	BH-7340-66	601-410-031	Velocity Fuse
8	OB-70-908	601-030-008	O-Ring
9	BH-7340-67	007-007-110	Cylinder Bottom Gland
10	BH-7340-68	009-010-113	Inlet Spool
11	OB-70-012	601-030-002	O-Ring
12	AU-012	601-060-003	Back-Up Ring
13	BH-7340-69	600-840-002	Spring
14	BH-7340-70	007-007-145	Set Screw
15	BH-7340-71	009-001-153-2	Retainer
16	BH-7340-72	009-001-152-1	Spool
17	BH-7340-73	600-840-008-2	Spring
18	BH-7340-74	009-001-151	Insert
19	with item 20	601-060-013	Back-Up Ring
20	BH-7340-75	601-010-005	Piston T-Seal
21	BH-7340-76	009-001-108	Piston
22	BH-7340-77	007-007-143	Washer
23	BH-7340-78	009-001-104	Barrel
24	BH-7340-79	601-020-003	Rod Wiper
25	BH-7340-80	601-040-001	Polypack
26	BH-7340-81	015-000-110	Cylinder Rod Gland
27	BH-7340-82	601-020-002	Rod Wiper
28	with item 29	601-060-006	Back-Up Ring
29	BH-7340-83	601-000-002	T-Seal for Rod
30	BH-7340-84	601-420-061	45° Elbow
31	BH-7340-85	007-007-108	Cylinder Bottom Gland
32	BH-7340-86	601-420-001	Cap
33	BH-7340-87	007-007-101	Cylinder Piston
34	BH-7340-88	007-007-128	Cylinder Rod

Power Unit Column Cylinder Kits

Item	SVI P/N	Ref OE#	Description
	BH-7340-89	007-007-007	Bottom Gland Assembly (includes items: 4, 7, 8, 9, 10, 11, 12, 13, 14, and 15)
	BH-7340-90	009-001-006	Cylinder Piston Assembly (includes items: 15, 11, 16, 17, 16, 11, 18, 19, 20, and 21)
	BH-7340-91	009-001-002	Cylinder Rod Gland Housing Assembly (5, 4, 3, 2, 2A, and 24)
	BH-7340-92	007-007-098	Seal Kit

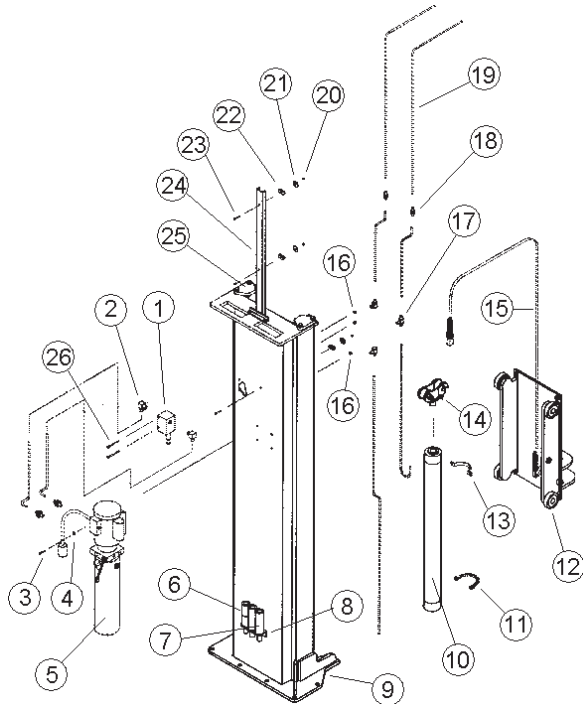
Opposite Side Cylinder Kits

Item	SVI P/N	Ref OE#	Description
	BH-7340-94	007-007-009	Bottom Gland Assembly (includes items: 5, 31, 8, 7, and 4)
	BH-7340-95	007-007-008	Cylinder Rod Gland Housing Assembly (5, 25, 26, 28, 29, 27 and 30)
	BH-7340-93	007-007-097	Seal Kit



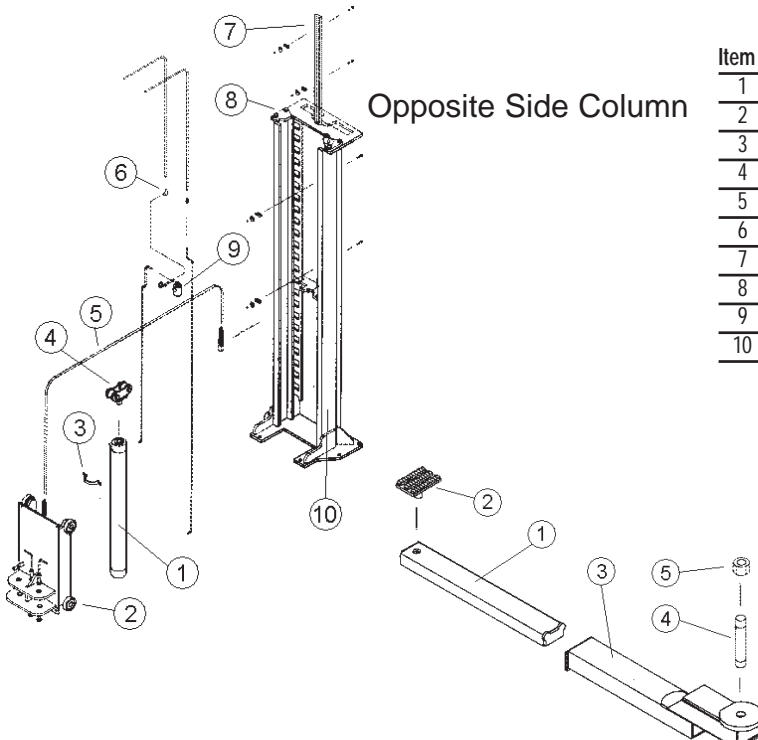
Parts for System 1A

Power Unit Column or Mainside



Item	SVI P/N	Ref OE#	Description
1	BH-7340-10	601-410-030	Diverter Valve
2	BH-7341-21	601-420-011	Straight Fitting #6 JIC to #6 JIC
3	F-HC-0312-18-0750	600-640-012	5/16"-18 x 3/4" Bolt
4	F-FW-0312-USS	600-710-003	5/16" Flatwasher
5	BH-7341-22	601-300-045	Power Unit
6	BH-7340-12	025-002-127	3" Nesting Height Extension
7	BH-7340-15	025-002-128	6" Nesting Height Extension
	BH-7340-13		4" Nesting Height Extension
	BH-7340-14		5" Nesting Height Extension
8	BH-7340-15BK	025-002-126	Height Extension Bracket
9	BH-7341-36	009-010-005	Power Unit Column Assy
10	BH-7340-59	007-007-001	Hydraulic Cylinder
11	BH-7341-38	009-001-122	Cylinder Clamp - Bottom
12	BH-7606-21	600-860-012	Carriage Roller Assembly
13	BH-7341-39	009-010-107	Cylinder Clamp - Top
14	BH-7341-40	009-010-040	Chain Roller/Yoke Assembly
15	BH-7029	600-830-001	Leaf Chain order 77 pitches
16	F-LN-0312-18	600-690-001	5/16"-18 Lock Nut
17	BH-7341-34	601-420-046	Tee O-Ring to #6 JIC to #6 JIC
18	BH-7341-21	601-420-011	Straight Fitting #6 JIC to #6 JIC
19	BH-7341-42	009-010-018	59-1/4" Steel Tube Assembly
20	F-LN-0250-20	600-690-005	1/4"-20 Lock Nut
21	F-FW-0312-FW	600-710-006	5/16" Fender Washer
22	BH-7340-52	601-710-001	Double Hyd Line Clip
23	F-HC-0250-20-1500	600-640-019	1/4"-20 x 1-1/2" Bolt
24	BH-7341-43	007-007-033	Hydraulic Line Support
25	BH-7341-44	009-001-141	Stop Plate
26	F-HC-0312-18-3500	600-640-020	5/16"-18 x 3-1/2" Bolt

Opposite Side Column



Item	SVI P/N	Ref OE#	Description
1	BH-7341-43	601-490-001	Opposite Side Cylinder
2	BH-7606-21	600-860-012	Carriage Roller Assembly
3	BH-7341-39	009-010-107	Cylinder Clamp - Top
4	BH-7341-40	009-010-040	Chain Roller/Yoke Assembly
5	BH-7029	600-830-001	Leaf Chain order 77 pitches
6	BH-7600-07	601-420-052	90° Elbow #6 JIC to #6 JIC
7	BH-7341-43	007-007-033	Line Support
8	BH-7341-44	009-001-141	Stop
9	BH-7341-53	009-010-009	Bleeder Valve Assembly
10	BH-7341-37	009-010-006	Opposite Side Column Assy

Item	SVI P/N	Ref OE#	Description
1	BH-7341-57	009-001-019	Inner Arm
2	BH-7341-58	025-002-035	Steel Adapter Pad
See SVI Price List or consult SVI DSR for more adapter selections			
3	BH-7341-69	009-010-012	Outer Arm
4	BH-7341-70	009-010-114	1-3/8" Arm Pin
5	F-NL-1375-12	600-690-008	1-3/8"-12 Nylock Nut

Help your customers stop on the right spot!

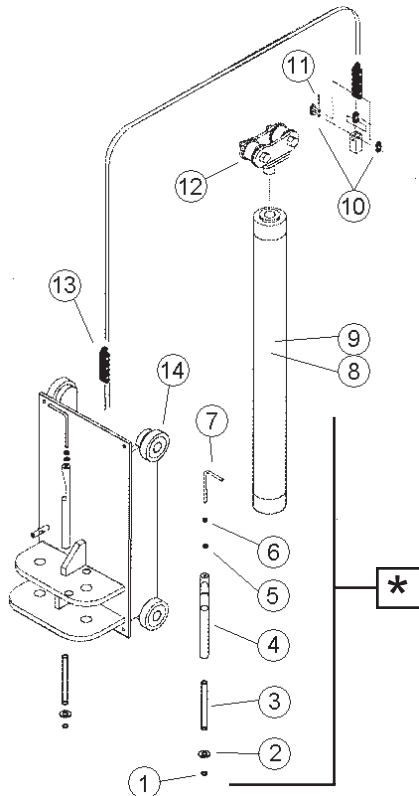
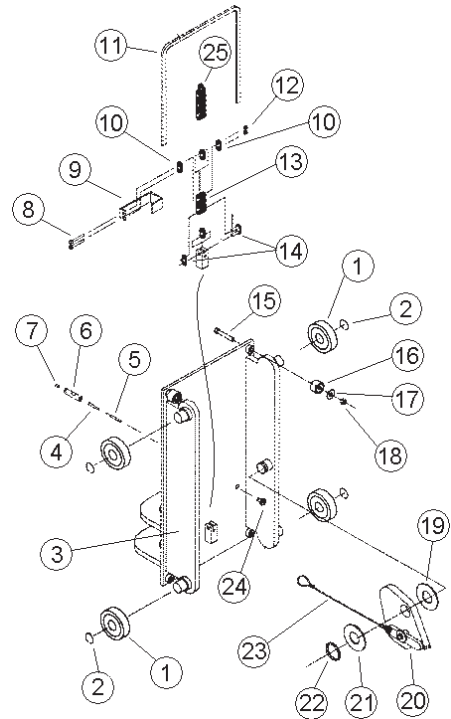
SVI extra wide wheel spotters are exactly what every lift user needs. Whether the lift is an in-ground or surface mount these spotters are essential. The extra wide profile is ideal for various wheelbase widths. Help them hit the right spot. Order today!



Item	SVI P/N	Ref OE#	Description
1	BH-7606-21	600-860-012	Carriage Roller Assembly
2	BH-7341-34	600-870-001	1-3/8" Snap Ring
3	BH-7341-71	009-010-069	Carriage Structure
4	BH-7341-06	600-840-019	Spring
5	BH-7341-05	009-010-124	Plunger
6	BH-7341-72	009-010-128	Plunger Housing
7	F-SS-0375-16-0500	600-630-001	3/8"-16 x 1/2" Screw
8	F-HC-0312-18-2500	600-640-050	5/16"-18 x 2-1/2" Bolt
9	BH-7341-73	009-010-127	Chain Guide
10	BH-7029-01L	600-830-027	BH-7029 Chain Link
11	BH-7341-74	009-001-418	Trim
12	F-LN-0312-18	600-690-001	5/16"-18 Lock Nut
13	BH-7029	009-010-437	Leaf Chain order 3 Pitches
14	BH-7029-01	600-830-026	Master Link
15	F-HC-0437-14-2500	600-640-006	7/16"-14 x 2-1/2" Bolt
16	BH-7606-20	600-860-002	Cam Roller 1-1/2"
17	F-FW-0437-USS	600-710-005	7/16" Flatwasher
18	F-NL-0437-14	600-690-006	7/16"-14 Lock Nut
19	F-FW-1375-SAE	600-710-014	1-3/8" Flatwasher
20	BH-7341-75	009-010-068	Carriage Lock Assembly
21	BH-7341-76	007-007-178	Washer
22	BH-7341-35	600-870-001	1-3/8" Snap Ring
23	BH-7340-04	009-001-066	Lock Release Cable
24	BH-7341-11	009-010-125	Cap
25	BH-7029	600-830-001	Leaf Chain order 77 Pitches

Carriage Parts

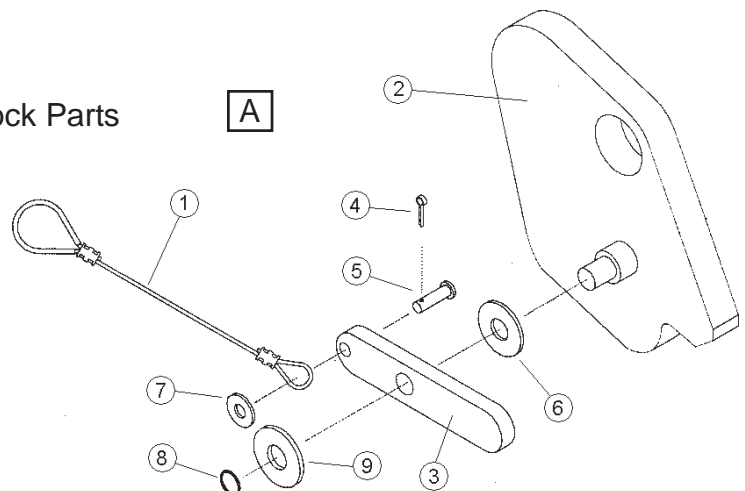
Parts for System 1A



Item	SVI P/N	Ref OE#	Description
*	BH-7340-20-2		Arm Restraint Kit (items 1 - 7)
1	BH-7341-77	600-870-002	Retaining Ring
2	F-FW-1000	600-710-010	1" Flatwasher
3	BH-7340-20A	600-840-006	Spring
4	BH-7340-20B	009-001-156	Arm Restraint
5	F-FW-0312-FW	600-710-006	5/16" Fender Washer
6	F-HN-0312-18	600-680-003	5/16"-18 Hex Nut
7	BH-7340-20D	007-007-141	Arm Restraint Handle
8	BH-7340-59	007-007-001	Power Unit Column Cylinder
9	BH-7341-45	601-490-001	Opposite Side Cylinder
10	BH-7029-01	600-830-026	Master Link
11	F-CP-093-1500	600-890-001	3/32" x 1-1/2" Cotter Pin
12	BH-7341-40	009-010-040	Chain Roller/Yoke Assembly
13	BH-7029	600-830-001	Leaf Chain order 77 Pitches
14	BH-7606-21	600-860-012	Carriage Roller Assembly

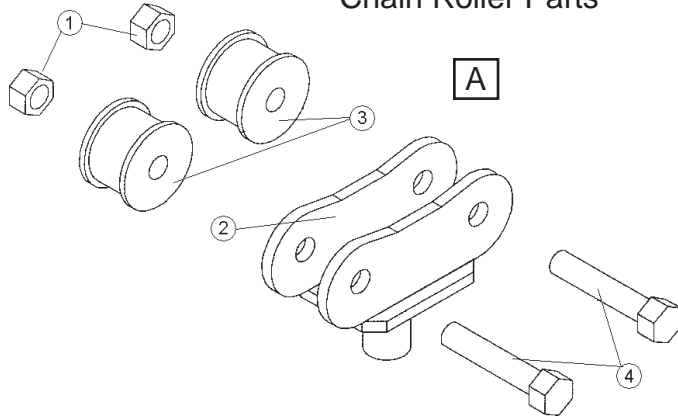
Carriage Lock Parts

Item	SVI P/N	Ref OE#	Description
A	BH-7341-75	009-010-068	Complete Lock Assembly
1	BH-7340-04	009-001-066	Lock Release Cable
2	BH-7341-15	009-010-067	Lock Latch
3	BH-7340-08	007-007-147	Lock Release Flipper
4	F-CP-093-0500	600-890-002	3/32" x 1/2" Cotter Pin
5	BH-7340-05	600-880-001	7/8" x 1/4" Clevis Pin
6	F-FW-0437-USS	600-710-005	7/16" Flatwasher
7	F-FW-0250-USS	600-710-004	1/4" Flatwasher
8	F-RRE-0500	600-870-003	1/2" Snap Ring
9	F-FW-0500-USS	600-710-008	1/2" Flatwasher



Parts for System 1A

Chain Roller Parts

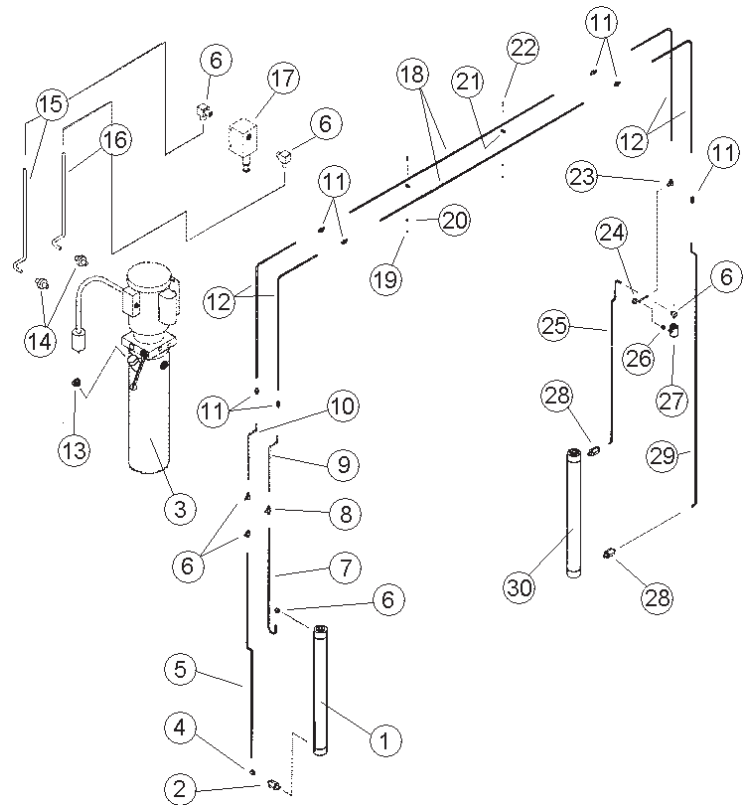


Item	SVI P/N	Ref OE#	Description
A	BH-7341-40	009-010-040	Chain Roller/Yoke Assembly
1	F-NL-0750-16	600-690-003	3/4"-16 Lock Nut
2	BH-7341-41	009-001-061	Chain Roller Housing
3	BH-7340-54	600-860-005	Chain Roller
4	BH-7340-56	006-000-139	Chain Roller Axle

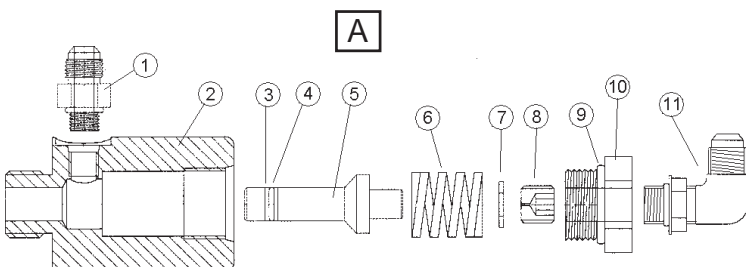
Hydraulic Routing

Protect vehicle and hydraulic line damage as a result of over raising the vehicle on the lift. Call about bolt-on overhead limit shut-off solutions.

Item	SVI P/N	Ref OE#	Description
1	BH-7340-59	007-007-001	Power Unit Side Cylinder
2	BH-7340-66	601-410-031	Velocity Fuse (4 GPM)
3	BH-7341-22	601-300-045	Power Unit
4	BH-7006-06	601-420-017	90° Elbow #6 "O" to #6 JIC
5	BH-7341-80	009-010-026	78" Steel Tube Assembly
6	BH-7006-06	601-420-017	90° Elbow #6 "O" to #6 JIC
7	BH-7341-81	009-010-027	43" Steel Tube Assembly
8	BH-7341-34	601-420-046	Tee "O" to #6 JIC to #6 JIC
9	BH-7341-82	009-010-029	25-1/4" Steel Tube Assembly
10	BH-7341-83	009-010-028	23-1/4" Steel Tube Assembly
11	BH-7341-21	601-420-011	Straight Fitting #6 JIC to #6 JIC
12	BH-7341-42	009-010-018	59-1/4" Steel Tube Assembly
13	BH-7002-39	601-310-005	Breather Cap
14	BH-7210-30	601-420-019	Straight Fitting #6 "O" to #6 JIC
15	BH-7341-84	015-000-025	28-15/16" Steel Tube Assembly
16	BH-7341-85	015-000-024	23-3/4" Steel Tube Assembly
17	BH-7340-10	601-410-030	Diverter Valve
18	BH-7341-86	000-001-001	100" Steel Tube Assembly
19	F-HN-0250-20	600-890-005	1/4"-20 Hex Nut
20	F-FW-0250-SAE	600-710-004	1/4" Flatwasher
21	BH-7340-52	601-710-001	Double Hyd Line Clip
22	F-HN-0250-20-1500	600-640-019	1/4"-20 x 1-1/2" Bolt
23	BH-7600-07	601-420-052	90° Elbow #6 JIC to #6 JIC
24	BH-7341-87	009-010-059	13-3/4" Steel Tube Assembly
25	BH-7341-88	009-010-033	68-3/4" Steel Tube Assembly
26	BH-7341-90	601-420-025	Straight Fitting #4 "O" to #6 JIC
27	BH-7341-53	009-010-009	Bleeder Valve
28	BH-7341-47	601-410-026	Velocity Fuse (4 GPM)
29	BH-7341-89	009-010-032	102-1/2" Steel Tube Assembly
30	BH-7341-45	601-490-001	Opposite Side Cylinder



Bleeder Valve



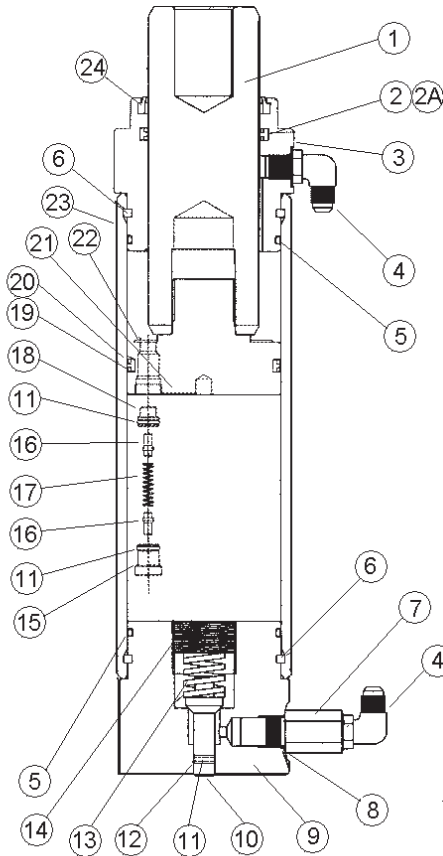
Item	SVI P/N	Ref OE#	Description
A	BH-7341-53	009-010-009	Bleeder Valve
1	BH-7006-06	601-420-017	90° Elbow #6 "O" to #6 JIC
2	BH-7341-54	009-010-101	Bleeder Valve Body
3	AU-012	601-060-003	Back-Up Ring
4	OB-70-012	601-030-002	O-Ring
5	BH-7340-68	009-010-113	Bleeder Valve Spool
6	BH-7340-69	600-840-002	Spring
7	F-FW-0312-SAE	600-710-003	5/16" Flatwasher
8	BH-7341-55	009-010-112	Set Screw
9	OB-90-912	601-030-017	O-Ring
10	BH-7341-56	009-010-111	Reducer #12 "O" to #6 "O"
11	BH-7006-06	601-420-017	90° Elbow #6 "O" to #6 JIC



Parts for System 1A

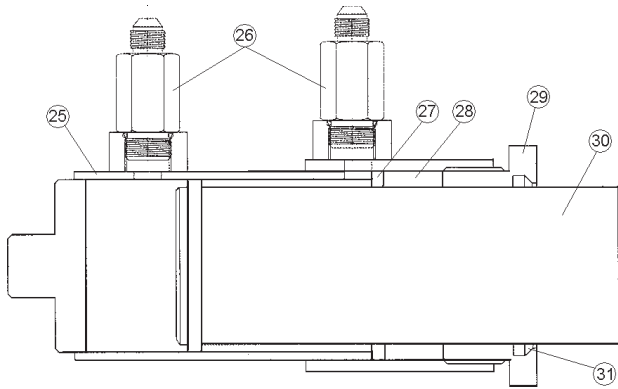
Power Unit
Column Cylinder

A



Opposite Side Cylinder

B



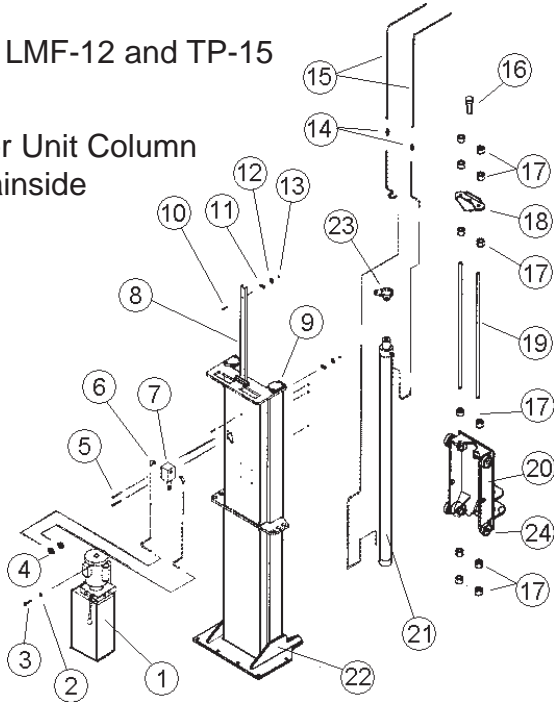
Item	SVI P/N	Ref OE#	Description
A	BH-7340-59	007-007-001	Power Unit Column Cylinder Assy
B	BH-7341-45	601-490-001	Opposite Side Cylinder Assy
1	BH-7340-61	009-001-105	Cylinder Rod
2	BH-7340-62	601-000-003	T-Seal for Rod
2A	with item 2	601-060-007	T-Seal Back Up
3	BH-7340-64	015-000-109	Cylinder Rod Gland
4	BH--7006-06	601-420-017	90° Elbow
5	OB-90-237	601-030-003	O-Ring
6	BH-7340-65	025-002-132	Gland Retaining Ring/Key
7	BH-7340-66	601-410-031	Velocity Fuse
8	OB-70-908	601-030-008	O-Ring
9	BH-7340-67	007-007-110	Cylinder Bottom Gland
10	BH-7340-68	009-010-113	Inlet Spool
11	OB-70-012	601-030-002	O-Ring
12	AU-012	601-060-003	Back-Up Ring
13	BH-7340-69	600-840-002	Spring
14	BH-7340-70	007-007-145	Set Screw
15	BH-7340-71	009-001-153	Retainer
16	BH-7340-72	009-001-152-1	Spool
17	BH-7340-73	600-840-008-2	Spring
18	BH-7340-74	009-001-151	Insert
19	with item 20	601-060-013	Back-Up Ring
20	BH-7340-75	601-010-005	Piston T-Seal
21	BH-7340-76	009-001-108	Piston
22	BH-7340-77	007-007-143	Washer
23	BH-7340-78	009-001-104	Barrel
24	BH-7340-79	601-020-003	Rod Wiper
25	BH-7341-46	05464-44.50	Cylinder Barrel
26	BH-7341-47	601-410-026	Velocity Fuse
27	BH-7341-48	601-490-012	Seal Ring
28	BH-7341-49	601-490-011	Packing Vee Set
29	BH-7341-50	009-001-005	Gland
30	BH-7341-51	05469-44.50	Cylinder Rod
31	BH-7341-52	601-490-010	Rod Wiper

Power Unit Column Cylinder Kits

Item	SVI P/N	Ref OE#	Description
	BH-7340-89	007-007-007	Bottom Gland Assembly (includes items: 4, 7, 8, 9, 10, 11, 12, 13, 14, and 15)
	BH-7340-90	009-001-006	Cylinder Piston Assembly (includes items: 15, 11, 16, 17, 16, 11, 18, 19, 20, and 21)
	BH-7341-91	009-001-002	Cylinder Rod Gland Housing Assembly (5, 4, 3, 2, 2A, and 24)
	BH-7340-92	007-007-098	Seal Kit

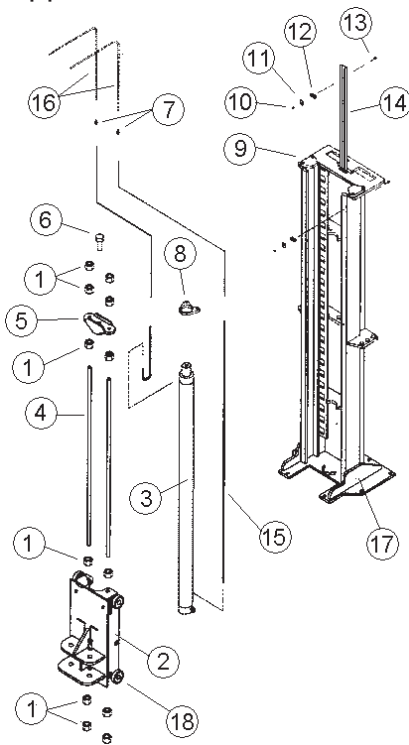
Parts for LMF-12 and TP-15

Power Unit Column or Mainside



Item	SVI P/N	Ref OE#	Description
1	BH-7342-01	601-300-046	Power Unit LMF-12
1	BH-7342-02	601-300-047	Power Unit TP-15
2	F-FW-0312-USS	600-710-003	5/16" Flatwasher
3	F-HC-0312-15-1500	600-640-001	5/16"-18 x 1-1/2" Bolt
4	BH-7210-30	601-420-019	Straight Fitting #6 "O" to #6 JIC
5	F-HC-0312-18-3500	600-640-020	5/16"-18 x 3-1/2" Bolt
6	BH-7006-06	601-420-012	90° Elbow #6 "O" to #6 JIC
7	BH-7340-51	601-410-030	Diverter Valve LMF-12
8	BH-7341-43	007-007-033	Hydraulic Line Support
9	BH-7341-44	009-001-141	Stop
10	F-HC-0250-20-1500	600-640-019	1/4"-20 x 1-1/2" Bolt
11	BH-7340-52	601-710-001	Double Hyd Line Clip
12	F-FW-0312-FW	600-610-006	5/16" Fender Washer
13	F-LN-0250-20	600-690-005	1/4"-20 Lock Nut
14	BH-7341-21	601-420-011	Straight Fitting #6 JIC to #6 JIC
15	BH-7342-03	012-012-071	100" Steel Tube Assembly
16	F-HC-1000-14-2500	600-640-055	1"-14 x 2-1/2" Bolt
17	F-HN-1000-14	600-680-004	1"-14 Hex Nut
18	BH-7342-04	012-012-016	Cylinder Rod End
19	BH-7342-05	012-012-131	1" Dia. Lifting Bar
20	BH-7342-06	015-000-006	Carriage Assembly
21	BH-7342-07	015-000-009	Power Unit Side Cylinder
22	BH-7342-21	015-000-003	Power Unit Column
23	BH-7342-22	015-000-103	Cylinder Holder
24	BH-7606-21	600-860-012	Carriage Roller

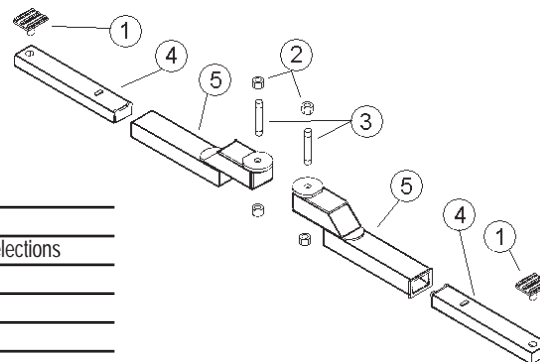
Opposite Side Column



Item	SVI P/N	Ref OE#	Description
1	F-HN-1000-14	600-680-004	1"-14 Hex Nut
2	BH-7342-23	015-000-006	Carriage Assembly
3	BH-7342-08	015-000-010	Opposite Side Cylinder Assembly
4	BH-7342-05	012-012-131	1" Dia. Lifting Bar
5	BH-7342-05	012-012-009	Cylinder Rod End
6	F-HC-1000-14-2500	600-640-055	1"-14 x 2-1/2" Bolt
7	BH-7341-21	601-420-011	Straight Fitting #6 JIC to #6 JIC
8	BH-7342-22	015-000-103	Cylinder Holder
9	BH-7341-44	009-001-141	Stop
10	F-HC-0250-20-1500	600-640-019	1/4"-20 x 1-1/2" Bolt
11	BH-7340-52	601-710-001	Double Hyd Line Clip
12	F-FW-0312-FW	600-610-006	5/16" Fender Washer
13	F-LN-0250-20	600-690-005	1/4"-20 Lock Nut
14	BH-7341-44	007-007-033	Hydraulic Line Support
15	BH-7342-25	000-001-023	91" Steel Tube Assembly
16	BH-7342-03	012-012-071	100" Steel Tube Assembly
17	BH-7342-26	015-000-004	Opposite Side Column
18	BH-7606-21	600-860-012	Carriage Roller

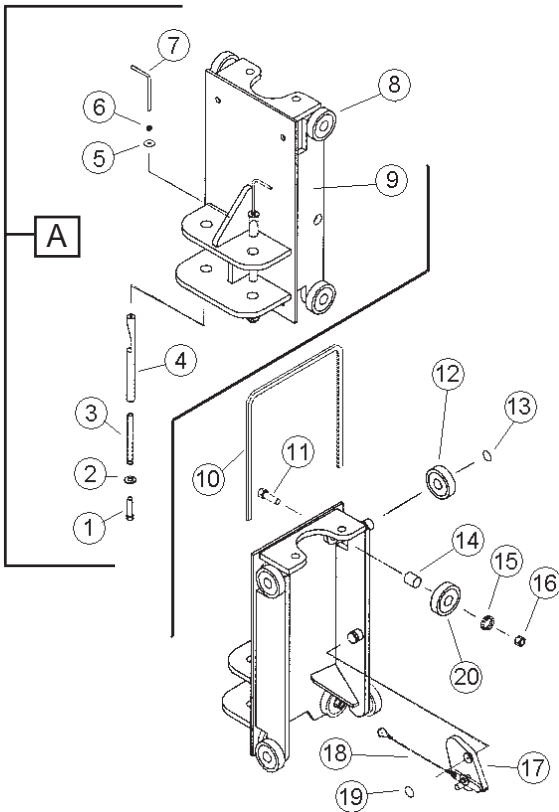
Arms

Item	SVI P/N	Ref OE#	Description
1	BH-7340-23	012-012-047	Steel Adapter Pad
See SVI Price List or consult SVI DSR for more adapter selections			
2	F-LN-1375-12	600-690-008	1-3/8"-12 Lock Nut
3	BH-7340-06	012-012-113	1-3/8" Arm Pin
4	BH-7342-27	012-012-015	Inner Slide Arm
5	BH-7342-28	012-012-013	Outer Arm



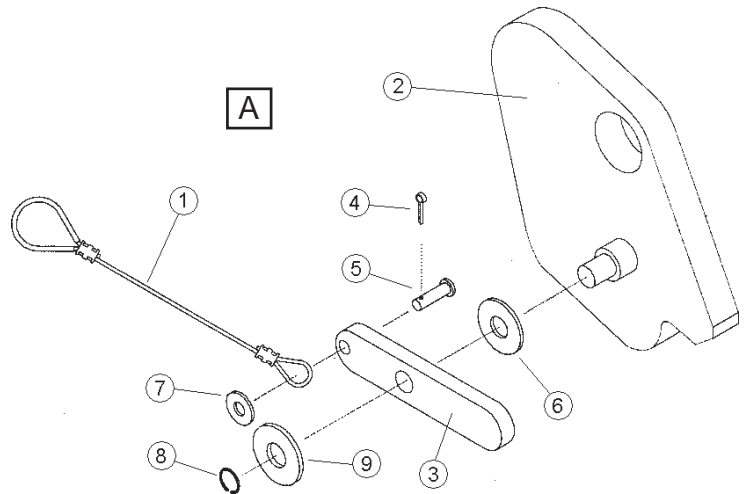


Parts for LMF-12 and TP-15



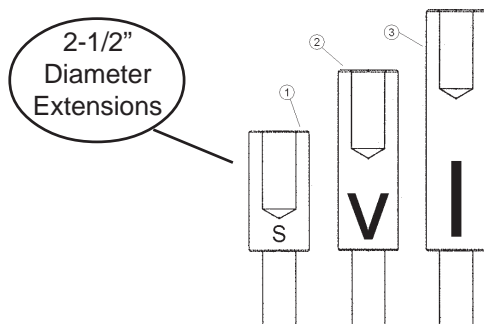
Item	SVI P/N	Ref OE#	Description
A	BH-7340-20		Arm Restraint Kit (items 1-7)
1	F-HC-0625-11-2500	600-640-010	5/8"-11 x 2-1/2" Bolt
2	F-FW-0625	600-710-007	5/8" Flatwasher
3	BH-7340-20A	600-840-006	Arm Restraint Spring
4	BH-7340-20B	009-001-156	Arm Restraint
5	F-FW-0312-FW	600-710-006	5/16" Fender Washer
6	F-HN-0312-18	600-680-003	5/16"-18 Hex Nut
7	BH-7340-20D	007-007-141	Arm Restraint Pull Handle
8	BH-7342-31	600-860-007	4" Carriage Roller - Heavy Duty
9	BH-7342-32	012-012-005	Carriage
10	BH-7342-33	012-012-408	Trim
11	F-HC-0750-16-3500	600-640-011	3/4"-16 x 3-1/2" Bolt
12	BH-7342-31	600-860-007	4" Carriage Roller - Heavy Duty
13	BH-7341-35	600-870-001	1-3/8" Retaining Ring
14	BH-7342-34	012-012-152	Bearing
15	F-FW-0750-SAE	600-710-001	3/4" Flatwasher
16	F-NL-0750-16	600-690-003	3/4"-16 Lock Nut
17	BH-7342-29	015-000-008	Carriage Lock Assembly
18	BH-7340-04	009-001-066	Lock Release Cable
19	BH-7341-35	600-870-001	1-3/8" Retaining Ring
20	BH-7340-25	600-860-012	4" Carriage Roller - Std Duty


Item	SVI P/N	Ref OE#	Description
A	BH-7342-29	015-000-008	Complete Lock Assembly
1	BH-7340-04	009-001-066	Lock Release Cable
2	BH-7342-30	015-000-007	Lock Latch
3	BH-7340-08	007-007-147	Lock Release Flipper
4	F-CP-093-0500	600-890-002	3/32" x 1/2" Cotter Pin
5	F-CV-250-0875	600-880-001	7/8" x 1/4" Clevis Pin
6	F-FW-0437-USS	600-710-005	7/16" Flatwasher
7	F-FW-0250-USS	600-710-004	1/4" Flatwasher
8	BH-7341-16	600-870-003	1/2" Snap Ring
9	F-FW-0500-USS	600-710-008	1/2" Flatwasher



Height Extensions

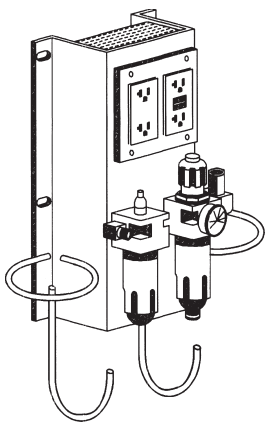
Item	SVI P/N	Ref OE#	Description
1	BH-7340-17	018-000-106	5" Nesting Height Extension
2	BH-7340-18	012-012-151	7-1/2" Nesting Height Extension
3	BH-7340-19	018-000-105	10" Nesting Height Extension
4	BH-7340-16		7-1/2" to 10-1/2" Adjustable Ext.





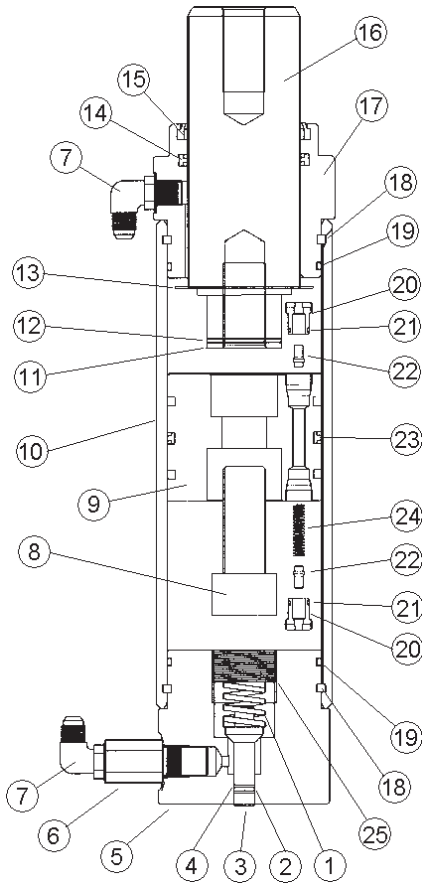
power station

A welcome addition to any Mohawk lift. Available in your choice of Red, Blue Black or Yellow. Add a Power Station and make a Mohawk lift one of the most productive tools in the shop. Order today!



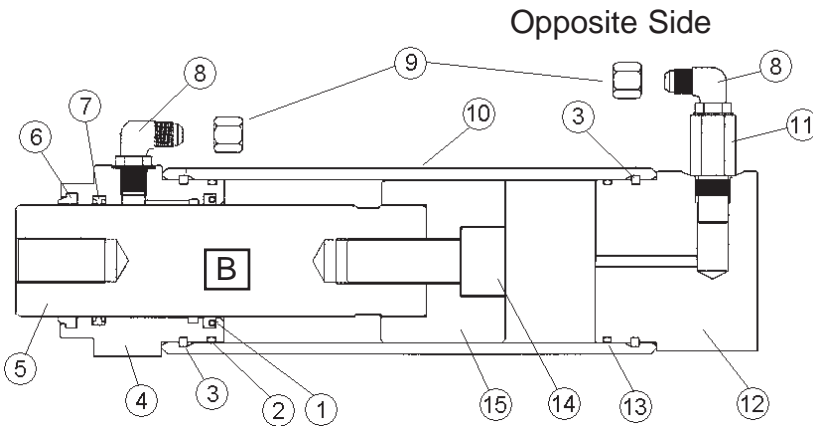
Parts for LMF-12 and TP-15

Hydraulic Cylinders



A
Power Unit Side

Item	SVI P/N	Ref OE#	Description
A	BH-7342-07	015-000-009	Power Unit Column Cylinder
1	BH-7340-69	600-840-002	Spring
2	OB-70-012	601-030-002	Inlet Spool O-Ring
3	BH-7340-68	009-010-113	Inlet Spool
4	AU-012	601-060-003	Inlet Spool Back-Up
5	BH-7340-67	007-007-110	End Cap/Gland
6	BH-7340-66	601-410-031	Velocity Fuse
7	BH-7006-06	601-420-017	90° Elbow
8	BH-7342-09	600-650-001	Socket Head Capscrew
9	BH-7342-10	012-012-102	Cylinder Piston
10	BH-7342-11	012-012-101	Cylinder Barrel
11	BH-7342-12	012-012-103	Cylinder Rod
12	OB-70-030	601-030-009	O-Ring
13	BH-7340-77	007-007-143	Washer
14	BH-7340-62	601-000-003	Rod T-Seal w/back-ups
15	BH-7340-79	601-020-003	Rod Wiper
16	BH-7342-12	012-012-103	Cylinder Rod
17	BH-7340-64	015-000-109	Gland
18	BH-7340-65	025-002-132	Gland Retainer
19	OB-90-237	601-030-003	O-Ring
20	BH-7340-71	009-001-153-2	Spool Retainer
21	OB-70-012	601-030-002	O-Ring
22	BH-7340-72	009-001-152-1	Spool
23	BH-7340-75	601-010-005	Piston T-Seal w/back-ups
24	BH-7342-13	600-840-009	Spring
25	BH-7340-70	007-007-145	Set Screw



Opposite Side

Item	SVI P/N	Ref OE#	Description
B	BH-7342-08	015-000-010	Opposite Side Cylinder Assy
1	BH-7340-80	601-040-001	Polypack Seal
2	OB-90-237	601-030-003	O-Ring
3	BH-7340-65	025-002-132	Gland Retainer
4	BH-7342-14	015-000-110	Gland
5	BH-7342-15	012-012-105	Cylinder Rod
6	BH-7340-82	601-020-002	Rod Wiper
7	BH-7340-83	601-000-002	Rod T-Seal w/back-ups
8	BH-7006-06	601-420-017	90° Elbow
9	BH-7340-86	601-420-001	Nut
10	BH-7342-11	012-012-101	Barrell
11	BH-7340-66	601-410-031	Velocity Fuse
12	BH-7342-16	007-007-108	Gland
13	OB-90-237	601-030-003	O-Ring
14	BH-7342-09	600-650-001	Socket Head Capscrew
15	BH-7342-17	012-012-104	Cylinder Piston

Power Unit Column Cylinder Kits

Item	SVI P/N	Ref OE#	Description
BH-7340-89	007-007-007		Bottom Gland Assembly (includes items: 7, 6, 5, 4, 3, 2, 1, 25, and 19)
BH-7342-18	012-012-003		Cylinder Piston Assembly (includes items: 9, 20, 21, 22, 23, and 24.)
BH-7342-19	015-000-011		Cylinder Rod Gland Housing Assembly (7, 14, 15, 17, and 19)
BH-7340-50	012-012-098-1		Seal Kit

Opposite Side Cylinder Kits

Item	SVI P/N	Ref OE#	Description
BH-7340-94	007-007-009		Bottom Gland Assembly (includes items: 8, 11, 12, and 13)
BH-7340-90	009-001-006		Cylinder Rod Gland Assembly (includes items: 1, 2, 4, 6, and 7)
BH-7340-51	012-012-097-1		Seal Kit