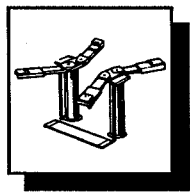




# Lift Repair Parts



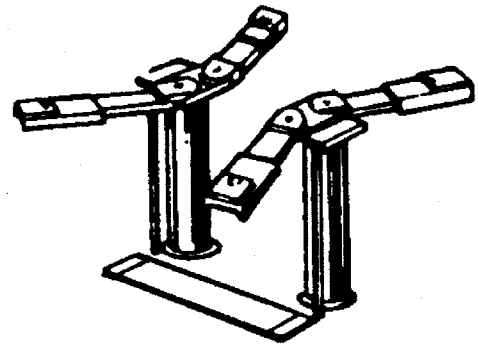
LRC9000C

S V I International, Inc. - Lift Repair Parts

May 2001

## In-Ground Lift Equalizer Assemblies and Parts

For all Two Post Side by Side In-Ground Lifts



### Rack Bar Identification by Dimensions

| Width           | Depth | Features | S V I Rack Bar Part No.<br>Plus the Lift Manufacturer |
|-----------------|-------|----------|---|
| 1-3/4"          | x     | 1-3/4"   | BH-9012 for Benwil Lifts                              |
| 1-1/2"          | x     | 1-1/2"   | BH-9110 for Cochin Lifts                              |
| 1-1/2"          | x     | 1-1/2"   | BH-9111 for Cochin Lifts                              |
| 1-1/2"          | x     | 1-1/2"   | BH-9210 for Curtis Lifts                              |
| 3"              | x     | 1-1/2"   | BH-9310 for Gilbarco/Manitowoc Lifts                  |
| 1"              | x     | 2"       | BH-9409 for Globe Auto lock                           |
| 1"              | x     | 2"       | BH-9410 for Globe Manual Lock                         |
| 2-1/2" Diameter |       | Round    | BH-9610 for Joyce/Weaver                              |
| 1-3/4"          | x     | 1-1/4"   | BH-9611 for Weaver                                    |
| 1-7/8"          | x     | 1-7/8"   | BH-9612 for Weaver/Rotary                             |

### Pinion Gear Identification by Dimensions

| Gear Dimensions |              | No. of Teeth | S V I Pinion Gear Part No.<br>Plus the Lift Manufacturer |   |
|-----------------|--------------|--------------|--|---|
| Width           | Outside Dia. |              |  |   |
| 1-3/4"          | x            | 4-1/4"       | 20   | BH-9011 for Benwil Lifts                      |
| 1-1/2"          | x            | 2-5/8"       | 12   | BH-9112 for Cochin Lifts                      |
| 1-1/2"          | x            | 2-5/8"       | 20   | BH-9211 for Curtis Includes collar/lock screw |
| 1-1/2"          | x            | 3-3/4"       | 21   | BH-9311 for Gilbarco/Manitowoc Lifts          |
| 1"              | x            | 4"           | 18   | BH-9411 for Globe Lifts                       |
| 1-1/2"          | x            | 4-1/4"       | 20   | BH-9613 for Joyce/Weaver/Rotary Lifts         |

Entire Contents Copyright © S V I International, Inc. 2001

**To Order Call: (800) 321-8173 or Fax: (800) 899-1784**

All names, numbers, symbols and descriptions are used for reference purposes only. It is not implied that any part listed is the product of these manufacturers; however, some parts may be the actual product of these manufacturers.

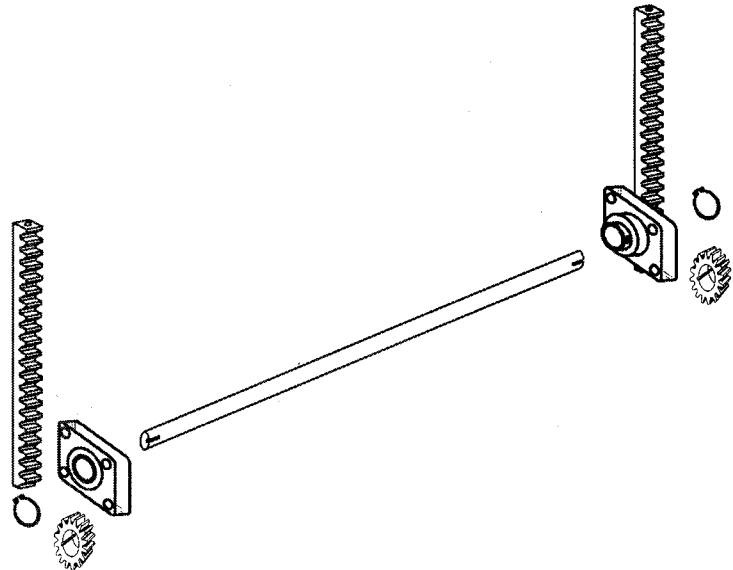
# Twin Post Equalizer System Parts

## FOR BENWIL LIFTS

SVI Part No. Ref. O.E.M. Part No. Description and Contents

|            |          |   |
|------------|----------|---|
| BH-9011    | 10133912 | Pinion Gear   |
| BH-9012    | 10133472 | Rack Bar<br>For Standard or Metric Shaft  |
| BH-9013-77 |          | 77" Plunger Center Equalizer Ass'y.<br><b>Includes:</b><br>(1) 10146050 Equalizer Shaft<br>(2) 80840501 Bearing Housings<br>(2) 1-1/2" Snap Rings<br>(2) Keys<br>(2) Pinion Gears<br><i>Rack Bars Sold Separately</i> |

Note: BH-9013-77 has standard (non-metric) shaft and gears.

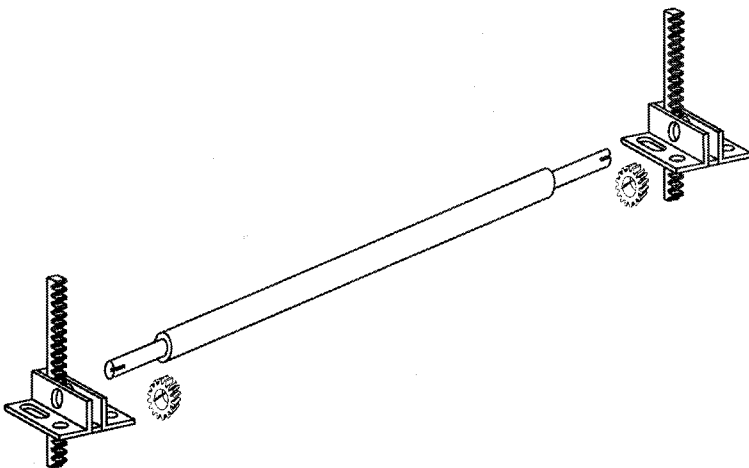


## FOR COCHIN LIFTS

SVI Part No. Ref. O.E.M. Part No. Description and Contents

|  |                                     |  |
|--|-------------------------------------|--|
| BH-9112                                | 10025N                              | Pinion Gear  |
| BH-9110                                | A-21458                             | Rack Bar - 72" long  |
| BH-9111                                | A-21458-84                          | Rack Bar - 84" long  |
| BH-9113-40<br>BH-9113-57<br>BH-9113-85 | 50000-40<br>50000-57<br>50000-85    | 40" Plunger Center Equalizer Ass'y.<br>57" Plunger Center Equalizer Ass'y.<br>85" Plunger Center Equalizer Ass'y.<br><b>Includes:</b><br>(1) 40", 57", or 85" Equalizer Shaft<br>(2) A-21459 Equalizer Brackets<br>(4) Lock Collars with Set Screws<br>(2) Keys<br>(2) Pinion Gears  |
| BH-9120-40<br>BH-9120-57<br>BH-9120-85 | 50000-40L<br>50000-57L<br>50000-85L | 40" P.C. <b>Locking</b> Equalizer Ass'y.<br>40" P.C. <b>Locking</b> Equalizer Ass'y.<br>40" P.C. <b>Locking</b> Equalizer Ass'y.<br><b>Includes:</b><br>(1) 40", 57", or 85" Equalizer Shaft<br>(1) A-21459 Equalizer Bracket<br>(1) Locking Equalizer Bracket<br>(1) BH-9120-02 Lock Assembly<br>(1) BH-9120-01 Lock Handle<br>(4) Lock Collars with Set Screws<br>(2) Keys<br>(2) Pinion Gears<br><i>Rack Bars Sold Separately</i> |

For Complete Assembly with Rack Bars add "C" to P/N

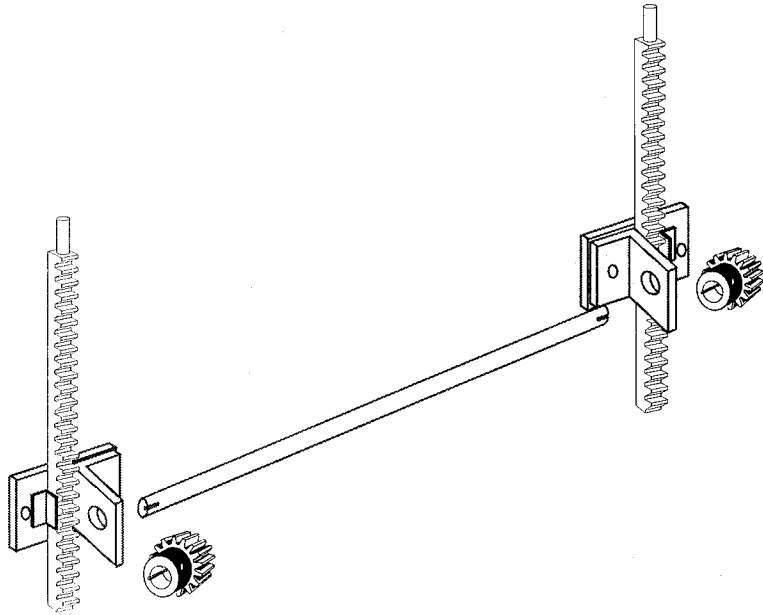


To Order Call: (800) 321-8173 or Fax: (800) 899-1784

# Twin Post Equalizer System Parts

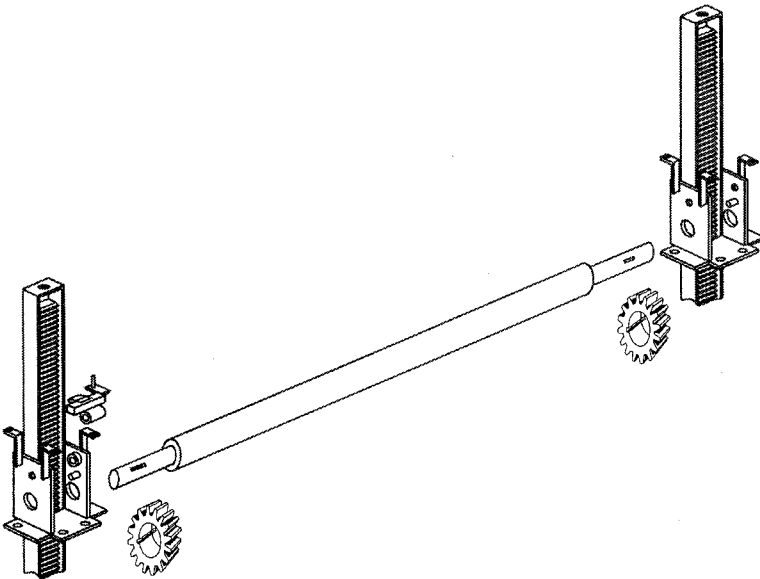
## FOR CURTIS LIFTS

| SVI Part No.  | Ref. O.E.M. Part No. | Description and Contents  |
|---|----------------------|---|
| BH-9211   | A-15116              | Pinion Gear   |
| BH-9210   | B-15096              | Rack Bar with Machined End  |
| BH-9212   |                      | Equalizer Assembly<br><b>Includes:</b><br>(1) BH-9212-01 Equalizer Shaft<br>(2) BH-9212-02 Equalizer Brackets<br>(2) Keys<br><i>Rack Bars and Gears Sold Separate</i> |
| For Complete Assembly with Rack Bars and Gears add "C" to P/N |                      |   |



## FOR GILBARCO/MANITOWOC LIFTS

| SVI Part No.                              | Ref. O.E.M. Part No. | Description and Contents   |
|---|----------------------|--|
| BH-9311                                   | K87046               | Pinion Gear  |
| BH-9310                                   | N19253               | Rack Bar In Channel  |
| BH-9312-40<br>BH-9312-57<br>BH-9312-89    |                      | 40" Plunger Center Equalizer Ass'y.<br>57-1/2" Plunger Center Equalizer Ass'y.<br>89" Plunger Center Equalizer Ass'y.<br><b>Includes:</b><br>(1) 40", 57", or 89" Equalizer Shaft<br>(1) BH-9314 Left Side Bracket<br>(1) BH-9315 Right Side Bracket<br>(2) Keys<br>(2) Retaining Rings<br><i>Rack Bars and Gears Sold Separate</i>  |
| BH-9312-40L<br>BH-9312-57L<br>BH-9312-89L |                      | 40" P.C. Locking Equalizer Ass'y.<br>57-1/2" P.C. Locking Equalizer Ass'y.<br>89" P.C. Locking Equalizer Ass'y.<br><b>Includes:</b><br>(1) BH-9313-23 Lock Latch<br>(1) BH-9313-25 Lock Spring<br>(1) BH-9313-24 Latch Shaft<br>(1) BH-9313-26 Set Screw<br>(1) BH-9313-21 Latch Handle<br>(1) 40", 57", or 89" Equalizer Shaft<br>(1) BH-9314 Left Side Bracket<br>(1) BH-9315 Right Side Bracket<br>(2) Keys<br>(2) Retaining Rings and hardware<br><i>Rack Bars and Gears Sold Separate</i> |



For Complete Assembly with Rack Bars and Gears add "C" to P/N

P.C. = Plunger Centers

**To Order Call: (800) 321-8173 or Fax: (800)899-1784**

All names, numbers, symbols and descriptions are used for reference purposes only. It is not implied that any part listed is the product of these manufacturers; however, some parts may be the actual product of these manufacturers.

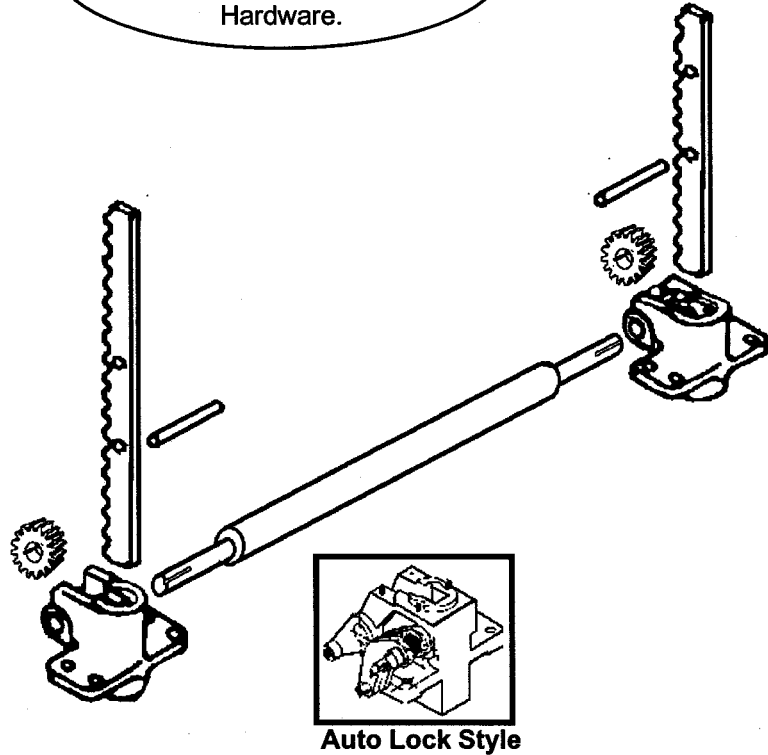
# Twin Post Equalizer System Parts

## FOR GLOBE LIFTS

S V I Part No. Ref. O.E.M. Part No. Description and Contents

|  |         |  |
|--|---------|--|
| BH-9411  | B-39999 | Pinion Gear  |
| BH-9409  | B-42580 | Rack Bar for Auto Lock System  |
| BH-9410  | B-39818 | Rack Bar for Manual Lock System  |
| BH-9412-26<br>BH-9412-29<br>BH-9412-36<br>BH-9412-39<br>BH-9412-42*<br>BH-9412-46<br>BH-9412-57<br>BH-9412-83<br>BH-9412-88          |         | 26-1/2" Plunger Center Equalizer Ass'y.<br>29-1/2" Plunger Center Equalizer Ass'y.<br>36" Plunger Center Equalizer Ass'y.<br>39" Plunger Center Equalizer Ass'y.<br>42" Plunger Center Equalizer Ass'y.<br>46" Plunger Center Equalizer Ass'y.<br>57-1/2" Plunger Center Equalizer Ass'y.<br>83-1/2" Plunger Center Equalizer Ass'y.<br>88" Plunger Center Equalizer Ass'y.<br><b>Includes:</b><br>(1) Shaft<br>(2) BH-9412-01 Equalizer Brackets<br>(2) BH-9412-12 Lock Pins and Keys<br><b>Rack Bars and Gears Sold Separate</b>       |
| BH-9412-26L<br>BH-9412-29L<br>BH-9412-36L<br>BH-9412-39L<br>BH-9412-42L*<br>BH-9412-46L<br>BH-9412-57L<br>BH-9412-83L<br>BH-9412-88L |         | 26-1/2" P.C. Locking Equalizer Ass'y.<br>29-1/2" P.C. Locking Equalizer Ass'y.<br>36" P.C. Locking Equalizer Ass'y.<br>39" P.C. Locking Equalizer Ass'y.<br>42" P.C. Locking Equalizer Ass'y.<br>46" P.C. Locking Equalizer Ass'y.<br>57-1/2" P.C. Locking Equalizer Ass'y.<br>83-1/2" P.C. Locking Equalizer Ass'y.<br>88" P.C. Locking Equalizer Ass'y.<br><b>Includes:</b><br>(1) Shaft<br>(1) BH-9413-01L Left Lock Bracket<br>(1) BH-9413-01R Right Lock Bracket<br>(2) BH-9411-01 Keys<br><b>Rack Bars and Gears Sold Separate</b> |

Effective March 1998  
Globe Equalizer Assemblies  
Include all installation  
Hardware.

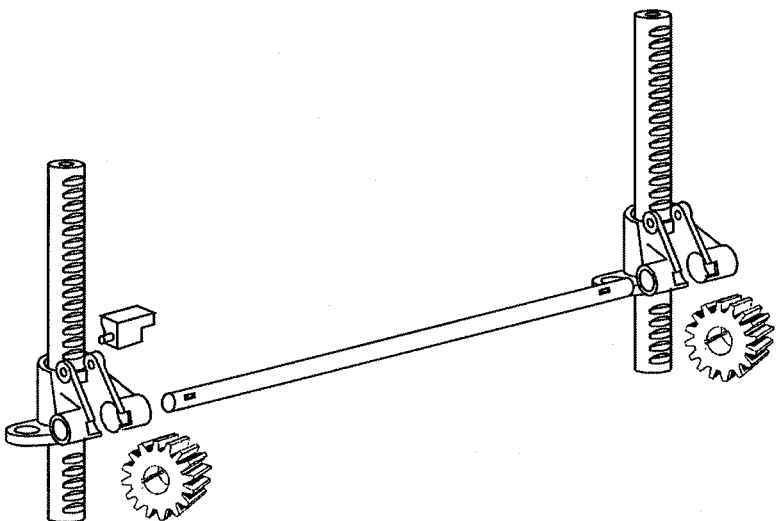


## FOR JOYCE LIFTS

S V I Part No. Ref. O.E.M. Part No. Description and Contents

|  |       |  |
|--|-------|--|
| BH-9613                                | 18220 | Pinion Gear  |
| BH-9610                                | 23431 | Solid Round Rack Bar   |
| BH-9515-10                             | 23441 | Safety Latch Trip  |
| BH-9515-11                             | 23442 | Roll Pin   |
| BH-9515-12                             | 24755 | Safety Latch Counter Weight  |
| BH-9515-13                             | 24756 | Safety Latch Shoulder Bolt   |
| BH-9515-40<br>BH-9515-48<br>BH-9515-57 |       | 40" Plunger Center Equalizer Ass'y.<br>48" Plunger Center Equalizer Ass'y.<br>57-1/2" Plunger Center Equalizer Ass'y.<br><b>Includes:</b><br>(1) 40", 48" or 57" Equalizer Shaft<br>(2) BH-9515-05 Equalizer Brackets<br>(2) BH-9515-06 Bushings<br>(2) Keys<br><b>Rack Bars and Gears Sold Separate</b> |

For Complete Assembly with Rack Bars and Gears add "C" to P/N



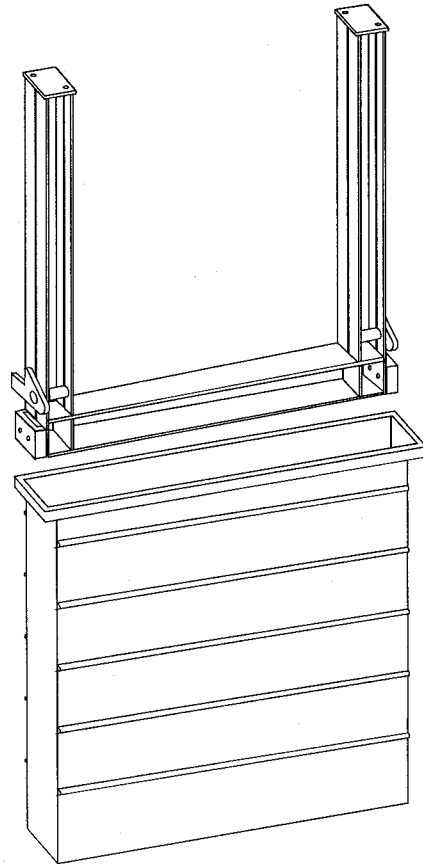
To Order Call: 800 321-8173 or 630-365-9250 / Fax: 800-899-1784 or 630-365-2809

All names, numbers, symbols and descriptions are used for reference purposes only. It is not implied that any part listed is the product of these manufacturers; however, some parts may be the actual product of these manufacturers.

# Twin Post Equalizer System Parts

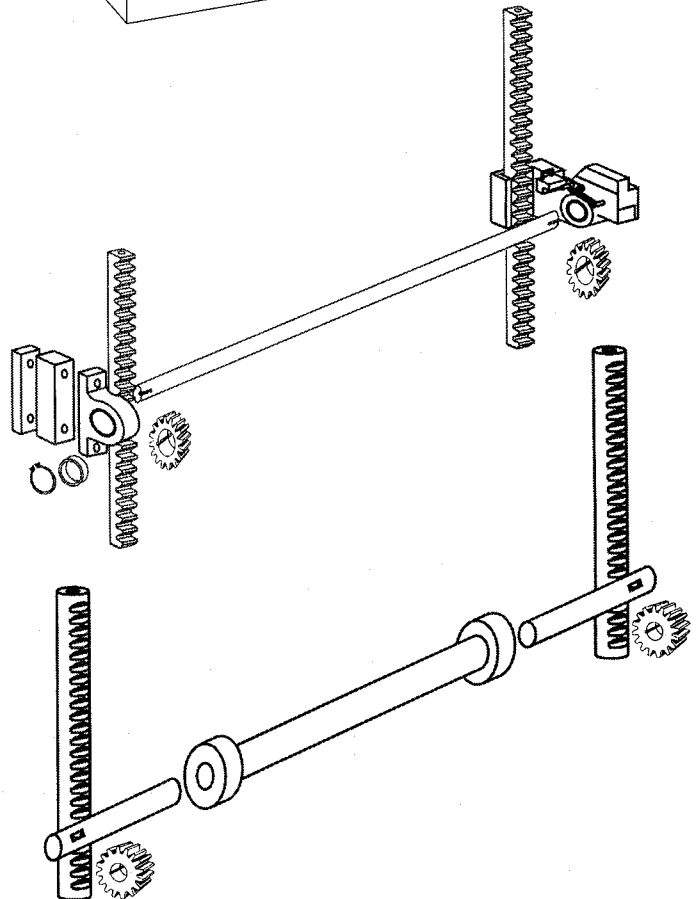
## FOR ROTARY LIFTS

| SVI Part No. | Ref. O.E.M. Part No. | Description and Contents                   |
|--------------|----------------------|--|
| BH-9760-01   | FA279                | Safety Latch Repair Kit (2 latches & pins) |
| BH-9760-02   | FJ321-5              | Slider Block                               |
| BH-9760-03   | FJ37-40              | Roller Assembly Kit                        |
| BH-9760-05   | FJ37                 | Equalizer Frame                            |
| BH-9760-05R  | FJ37R                | Equalizer Frame with Rollers               |
| BH-9760-06   | FJ38                 | 57-1/2" P.C. Equalizer Box for Sliders     |
| BH-9760-06R  | FJ311                | 57-1/2" P.C. Equalizer Box for Rollers     |
| BH-9760-07   | FJ38-11              | Center Cover Plate (not pictured)          |



## FOR WEAVER LIFTS

| SVI Part No.  | Ref. O.E.M. Part No. | Description and Contents   |
|---|----------------------|--|
| BH-9613   | S-24522              | Pinion Gear  |
| BH-9610   | S-18807              | Round Rack Bar   |
| BH-9611   | S-23134              | Rectangular Rack Bar   |
| BH-9612   | 1080236              | Square Rack Bar  |
| BH-9614<br>BH-9615<br>BH-9616<br>BH-9617  |                      | 57-1/2" Square Rack Equalizer Ass'y.<br>57-1/2" Rect. Rack Equalizer Ass'y.<br>40" Rectangular Rack Equalizer Ass'y.<br>89" Square Rack Equalizer Ass'y.<br><b>Includes:</b><br>(1) 57-1/2", 40" or 89" Shaft, spacers, pillow blocks, square specers, keys, cap screws, retaining rings<br><b>Racks, Gears &amp; Lock Sold Separate</b> |
| BH-9614-10  | KL-345               | Equalizer Lock (Square Rack System)  |
| BH-9614-10R   | KL-345R              | Equalizer Lock (Rect. Rack System)   |
| BH-9618   |                      | 40" Round Rack Equalizer Ass'y.<br><b>Includes:</b><br>Coupler Shaft, Gear Shafts, Clevis Pins, Cotter Pins, Woodruff Keys<br><b>Racks, Gears &amp; Lock Sold Separate</b>   |
| <p>For a Locking Equalizer Ass'y including Lock add "L" to P/N.<br/>                     For a Complete Assembly including Rack Bars and Gears add "C" to P/N. For a Complete Locking Ass'y including Rack Bars, Gears, and Lock add "LC" to P/N.</p> |                      |  |



**To Order Call: (800) 321-8173 or Fax: (800)899-1784**

# Twin Post Equalizer System Parts For Rotary Lifts

SVI worked carefully with a distributor to design a system to extend the service life of DTO28 lifts produced by Rotary. Problems start when floor cleaners and moisture cause the equalizer box to corrode. This results in backfill pouring through the rusted openings and interfering with the equalizer operation, thus hanging the lift up.

In the past, there were only three ways to deal with the problem. You either excavate and replace the corroded box at great cost, scoop out the backfill every so often or condemn the lift. This is over with SVI's new **Drop-In Rack and Pinion Equalizer Assembly for DTO lifts**.

**Order BH-9760-09 Kit for 4" Wide Box**

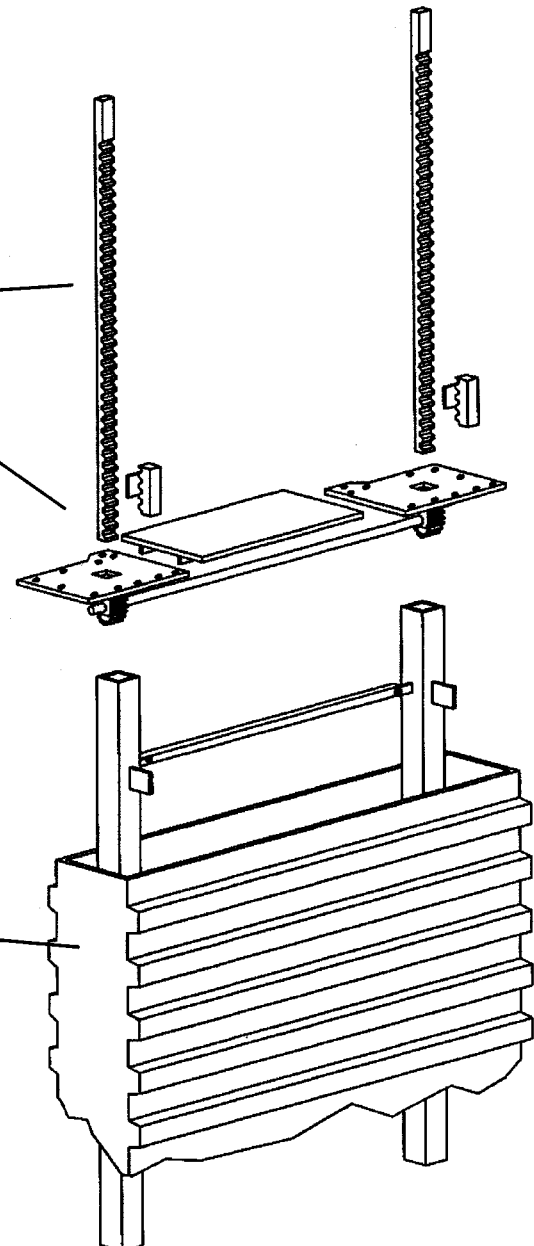
**BH-9760-10 Kit for 4-3/4" Wide Box**

## Installation is a breeze:

- 1) Remove the old equalizer frame.
- 2) Clean out the bottom of the box at the ends so rack guides fit to the bottom.
- 3) Assemble the new rack bar guide tubes to cross supports, drop in the opening and square up.
- 4) Assemble the pinion housing and shaft assembly, set in box and line up with the guide tubes.
- 5) Drill (20) 3/8" holes in the concrete using the pinion housing as a template and bolt housing down using the anchors supplied. **Note:** make sure rack bars mate properly with pinions and fit easily through the housing before drilling and bolting.
- 6) Install rack bars making sure each starts with the same tooth and bolt to bolster. You may need to elongate the bolt hole in the bolster with a torch so the rack movement is perpendicular to the plunger.
- 7) Show your customer how good the lift works again and accept thanks for solving the problem.

New system includes: rack bars, pinion gears, shaft, brackets, center cover, guide tubes, manual placement locks and fasteners.

Existing Equalizer Box

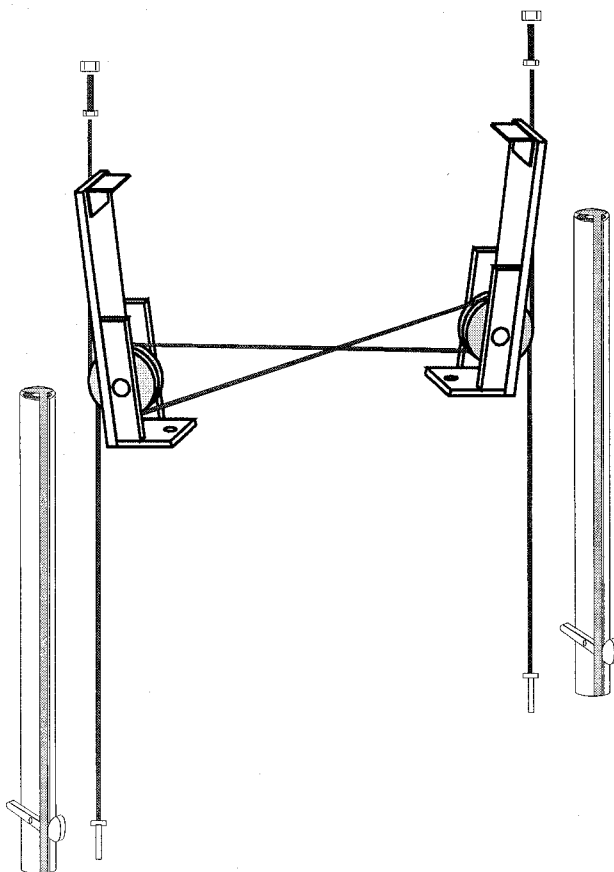


# Twin Post Equalizer System Parts

## FOR WESTERN LIFTS

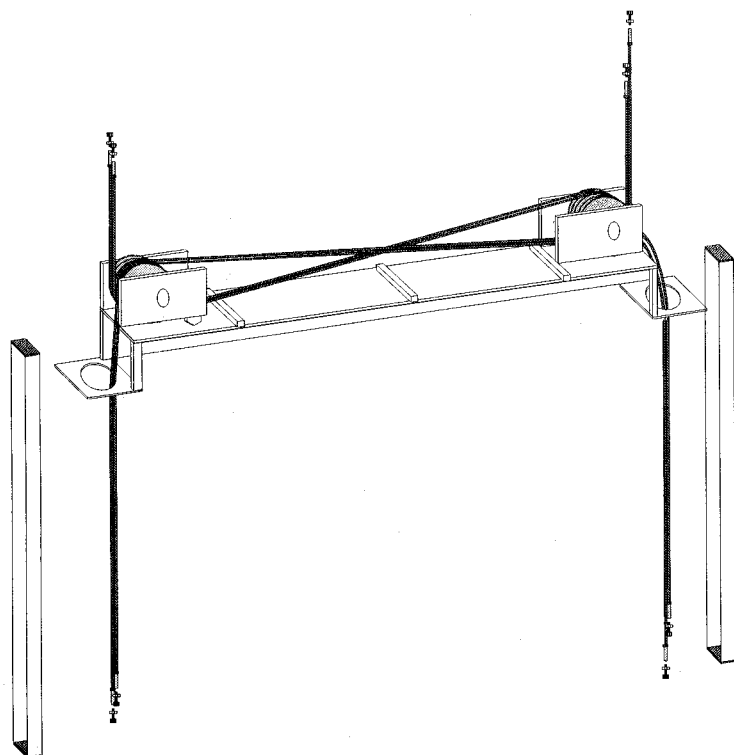
FOR TWO CABLE SYSTEMS SINCE JUNE 1985

| SVI Part No. | Ref. O.E.M. Part No. | Description and Contents          |
|--------------|----------------------|-----------------------------------|
| BH-9702-01   | F-602                | 134" Equalizer Cable for WP-2     |
| BH-9704-01   | F-607                | 109" Equalizer Cable for P-2      |
| BH-9702-02   | F-617                | Pulley and Axle Assembly          |
| BH-9702-03   | F-645                | Pulley Bracket                    |
| BH-9701-08   | U-606                | Equalizer Strut with lock (round) |
| BH-9702-07   | F-510                | Pulley Box Cover for WP-2         |
| BH-9702-08   | F-515                | Pulley Box Cover for P-2          |
| BH-9702-10   |                      | Pulley and Axle Repair Kit        |



**Note:** SVI In-Ground Equalizer Cables for Western Lifts are Constructed Using Stainless Steel Wire Rope and Carbon Steel End Fittings.

FOR FOUR CABLE SYSTEMS PRIOR TO JUNE 1985



| SVI Part No. | Ref. O.E.M. Part No. | Description and Contents                |
|--------------|----------------------|---|
| BH-9701-01   | F-600                | 153-1/2" Equalizer Cable for WP-2       |
| BH-9703-01   | F-605                | 129-1/2" Equalizer Cable for P-2        |
| BH-9701-02   | F-615                | Pulley and Axle Ass'y (11/83 to 6/85)   |
| BH-9701-03   | F-610                | Pulley and Axle Ass'y (Prior to 11/83)  |
| BH-9701-04   | F-635                | Equalizer Strut with lock (rectangular) |
| BH-9701-15   | F-500                | Pulley Box Cover for WP-2, AR-2         |
| BH-9701-16   | F-520                | Pulley Box Cover for P-2                |
| BH-9701-10   |                      | Pulley and Axle Repair Kit              |

**To Order Call: (800) 321-8173 or Fax: (800)899-1784**

# To The 4<sup>th</sup> Power

Atlanta  
Baltimore  
Chicago  
Los Angeles



4X the shipping capabilities  
4X the convenience  
4X the experience  
4X the inventory